

US00D767940S

(12) **United States Design Patent**
Gross et al.

(10) **Patent No.:** **US D767,940 S**
(45) **Date of Patent:** **** Oct. 4, 2016**

- (54) **FOOD TRAY**
- (71) Applicants: **Eric Gross**, Santa Fe Springs, CA (US);
Mark Gross, Santa Fe Springs, CA (US)
- (72) Inventors: **Eric Gross**, Santa Fe Springs, CA (US);
Mark Gross, Santa Fe Springs, CA (US)
- (**) Term: **14 Years**
- (21) Appl. No.: **29/503,912**
- (22) Filed: **Sep. 30, 2014**
- (51) **LOC (10) Cl.** **07-01**
- (52) **U.S. Cl.**
USPC **D7/554.3**
- (58) **Field of Classification Search**
USPC D9/337-338, 347, 428, 425, 430-431,
D9/456, 718, 749, 757-758; D7/500,
D7/505-507, 512, 513, 541, 543, 545,
D7/550.1, 551, 553, 553.6, 554, 560-562,
D7/554.3
CPC A45C 11/20; A47G 19/02; A47G 19/06;
A47G 23/06
See application file for complete search history.

- D489,226 S * 5/2004 De Neubourg D7/554.3
- D540,122 S * 4/2007 Wasserman D7/584
- D573,411 S * 7/2008 Lovett D7/554.3
- D574,179 S * 8/2008 DeLuca D7/354
- D595,155 S * 6/2009 Larson D9/425
- D603,255 S * 11/2009 King D9/433
- D632,170 S * 2/2011 Lawrence D9/425
- D638,137 S * 5/2011 Gross D24/227
- D640,099 S * 6/2011 Marshall D7/584
- D641,588 S * 7/2011 Cole D7/396.1
- D649,033 S * 11/2011 Epstein D9/425
- D653,496 S * 2/2012 Henry D7/354
- D677,150 S * 3/2013 Barbier D9/424
- D677,154 S * 3/2013 Miller D9/424
- D682,673 S * 5/2013 Miller D9/424
- D687,679 S * 8/2013 Mikulka D7/553.2
- D695,106 S * 12/2013 Yang D9/425
- D697,372 S * 1/2014 Everingham D7/587
- D698,643 S * 2/2014 Malley D9/425
- D706,623 S * 6/2014 Murphy D9/426
- 8,741,443 B2 * 6/2014 Hilbish B65D 1/34
428/34.2
- D712,148 S * 9/2014 Ghiorgie D3/304
- D718,981 S * 12/2014 Katterheinrich D7/550.1
- D729,403 S * 5/2015 Hage D24/227
- D738,718 S * 9/2015 Yang D9/425
- D738,719 S * 9/2015 Breton D9/425
- D743,641 S * 11/2015 Jones D30/161
- D748,945 S * 2/2016 Chase D7/545
- D750,892 S * 3/2016 Rego D3/305

(Continued)

Primary Examiner — Kelley Donnelly
(74) *Attorney, Agent, or Firm* — James E. Brunton

(56) **References Cited**

U.S. PATENT DOCUMENTS

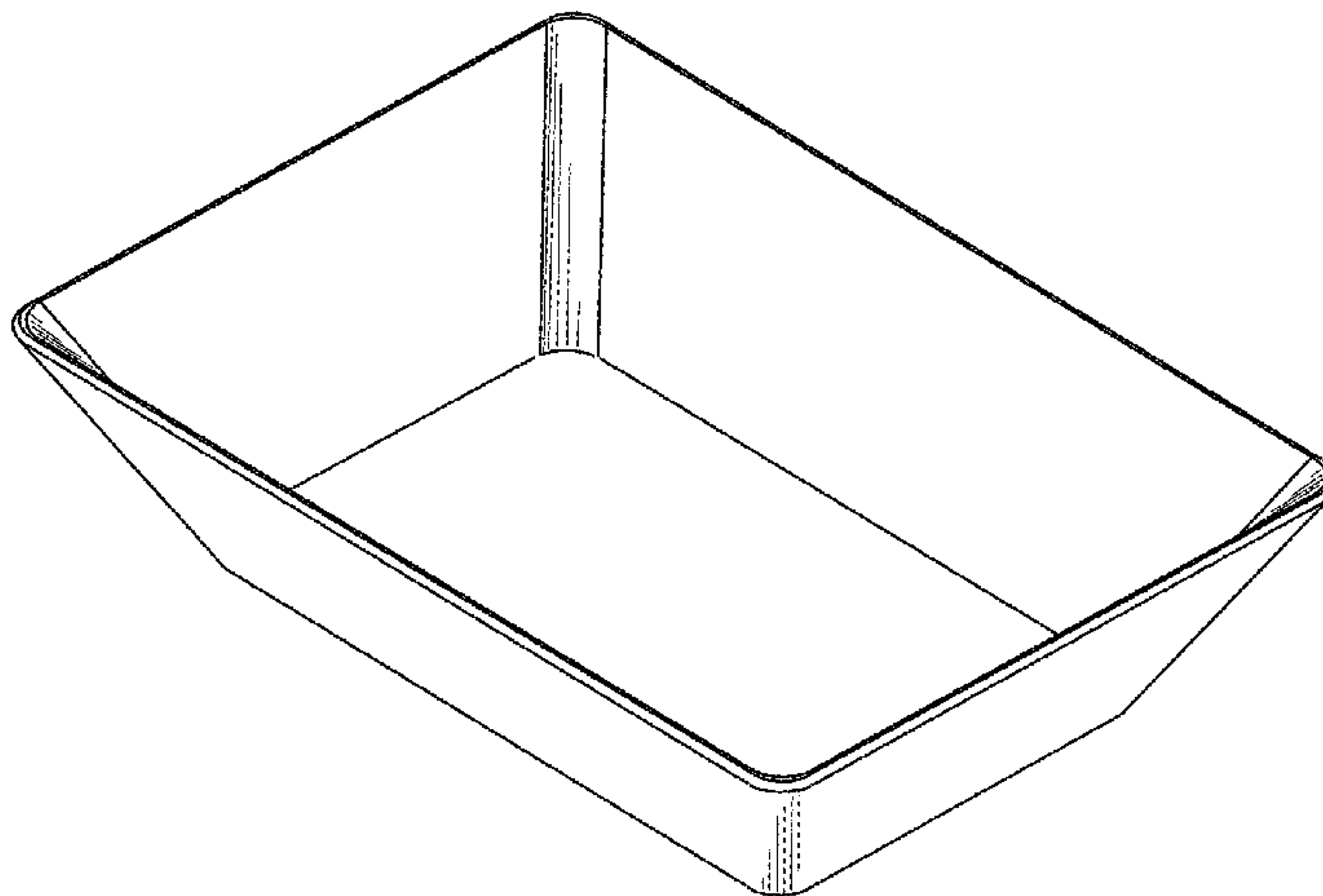
- 1,607,864 A * 11/1926 Butler A47G 19/06
220/574
- 3,761,011 A * 9/1973 Reifers B65D 1/34
217/26
- D276,025 S * 10/1984 Hexamer D9/425
- D283,399 S * 4/1986 Forbes, Jr. D9/416
- D316,037 S * 4/1991 Kea D9/416
- 5,009,939 A * 4/1991 Goldberg B29C 49/24
220/839
- 5,425,972 A * 6/1995 Calvert B65D 5/2047
229/5.81
- D387,177 S * 12/1997 Davis D24/227
- D432,361 S * 10/2000 Jenkins D7/554.3
- D452,149 S * 12/2001 Nance D7/590
- D481,262 S * 10/2003 Tisdale D7/586

(57) **CLAIM**
The ornamental design for a “food tray,” as shown.

DESCRIPTION

FIG. 1 is a perspective view of a “food tray” showing our new design;
FIG. 2 is a bottom plan view thereof;
FIG. 3 is an end view thereof, the opposite end being identical thereto; and,
FIG. 4 is a front view thereof, the opposite view being identical thereto.

1 Claim, 2 Drawing Sheets



US D767,940 S

Page 2

(56)

References Cited

U.S. PATENT DOCUMENTS

D752,431 S *	3/2016	Bischoff	D9/425	2004/0262322 A1*	12/2004	Middleton	B29C 45/14336 220/675
D754,533 S *	4/2016	Afford	D9/425	2012/0312716 A1*	12/2012	Mikulka	B65D 65/466 206/557
2002/0100760 A1*	8/2002	Rinks	B65D 77/22 220/574	2013/0098800 A1*	4/2013	Rehmanji	B65D 81/261 206/557

* cited by examiner

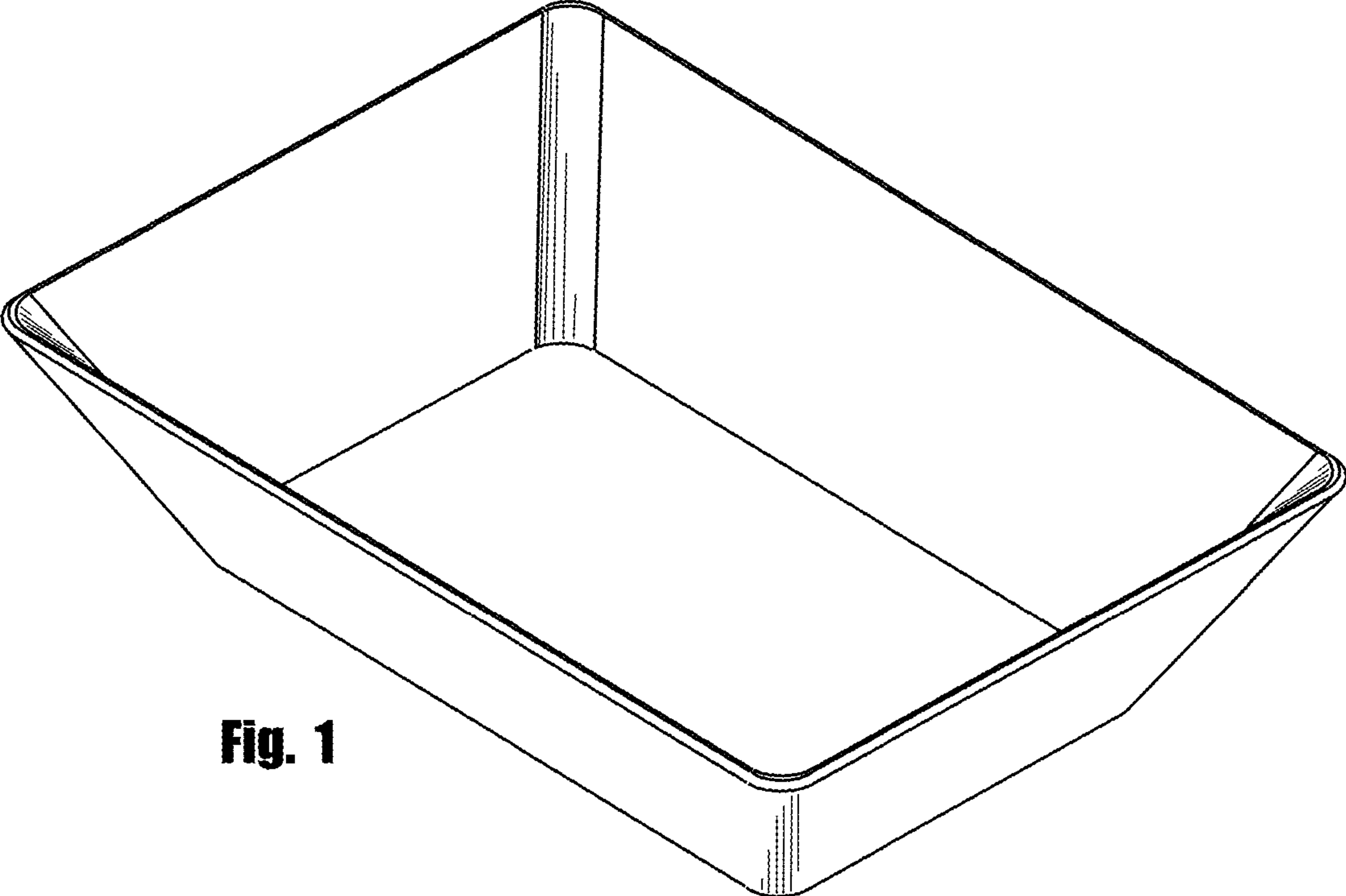


Fig. 1

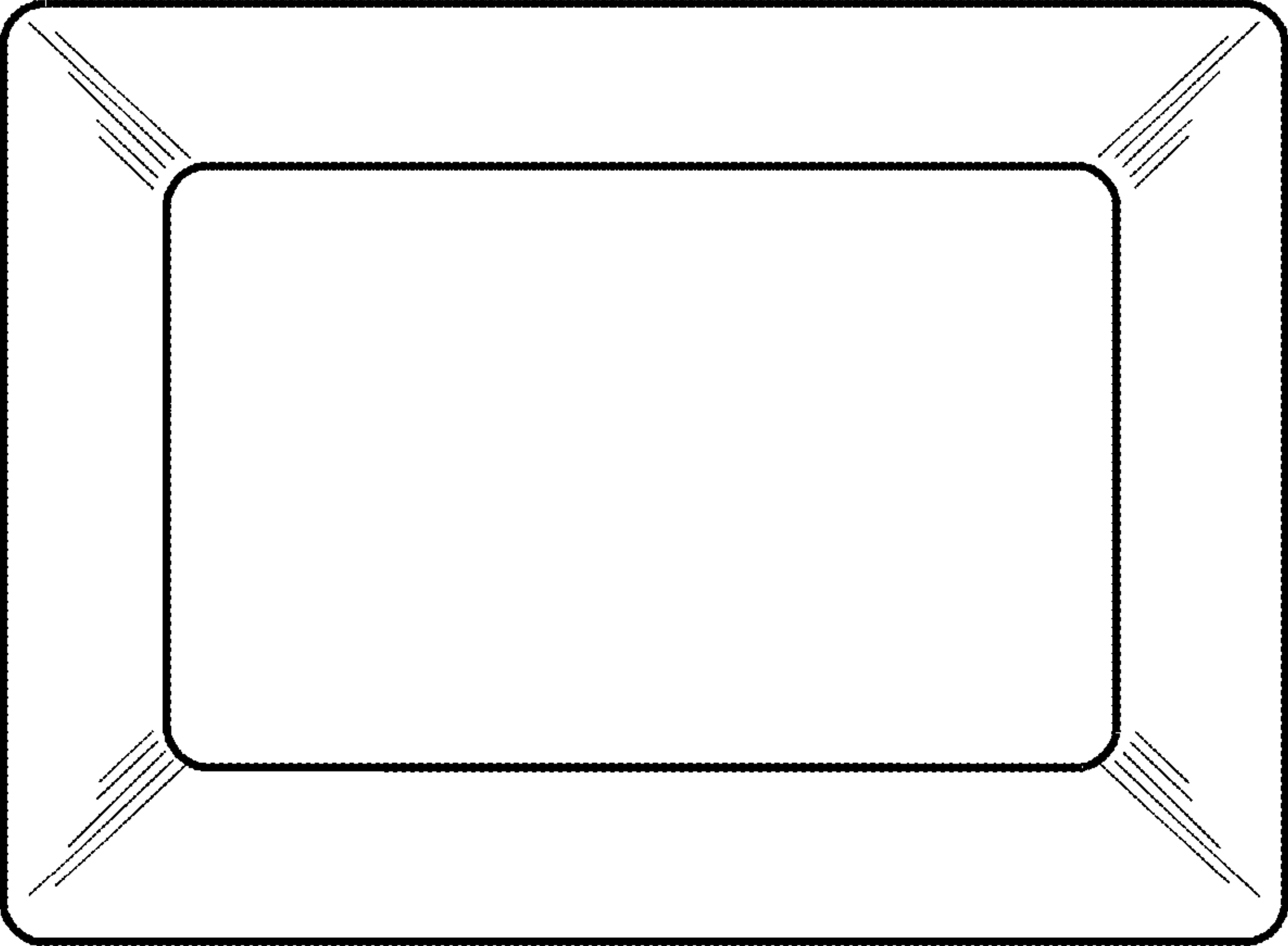


Fig. 2

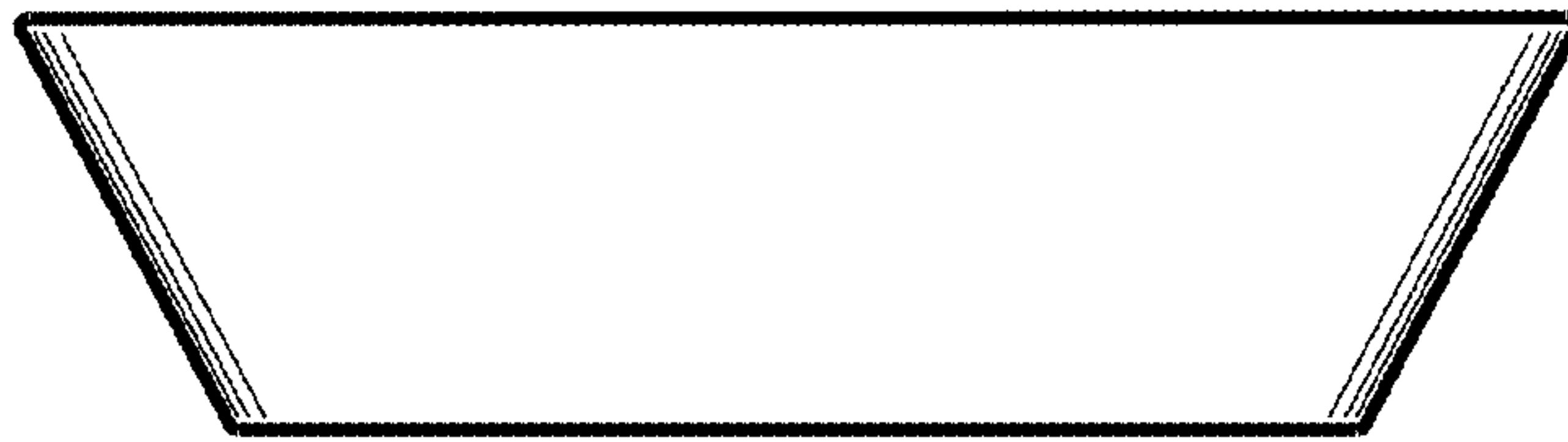


Fig. 3



Fig. 4