



US00D767935S

(12) **United States Design Patent**  
**Williford et al.**

(10) **Patent No.:** **US D767,935 S**  
(45) **Date of Patent:** **\*\* Oct. 4, 2016**

- (54) **KNIFE**
- (71) Applicant: **Academy, Ltd.**, Katy, TX (US)
- (72) Inventors: **Christopher M. Williford**, Katy, TX (US); **Thomas S. Landon**, Katy, TX (US)
- (73) Assignee: **Academy, Ltd.**, Katy, TX (US)
- (\*\*) Term: **14 Years**
- (21) Appl. No.: **29/526,365**
- (22) Filed: **May 8, 2015**
- (51) **LOC (10) Cl.** ..... **07-03**
- (52) **U.S. Cl.**  
USPC ..... **D7/401.2; D7/349; D7/350**
- (58) **Field of Classification Search**  
USPC ..... D7/393-395, 401.2, 642-652, 693, D7/695-696; D8/93, 97-100, 107, 300, D8/321; D22/117-118  
CPC ..... A01B 1/20; A01B 1/22; A22C 25/006; A47G 21/06; A47G 21/065; A61B 17/3211; A61B 17/3213; B21D 53/64; B25G 1/10; B25G 3/36; B26B 1/00; B26B 1/08; B26B 1/10; B26B 3/00; B26B 3/02; B26B 3/03; B26B 3/04; B26B 3/06; B26B 5/00; B26B 5/001; B26B 5/007; B26B 7/00; B26B 7/005; B26B 9/00; B26B 9/02; B26B 11/00; B26B 11/006; B26B 17/00; B26B 17/006; B26B 29/02  
See application file for complete search history.

(56) **References Cited**

**U.S. PATENT DOCUMENTS**

- 2,295,859 A 9/1942 Murray
- 3,846,909 A 11/1974 Clarke
- 4,825,552 A \* 5/1989 Bendickson ..... B25G 1/10  
16/DIG. 12

- D303,748 S \* 10/1989 Yamagishi ..... D7/649
- D329,797 S 9/1992 Baker
- D347,145 S \* 5/1994 Neshat ..... D7/401.2
- D348,184 S \* 6/1994 Neshat ..... D7/646
- D354,881 S \* 1/1995 Huff ..... D7/401.2
- 5,461,785 A 10/1995 Sol Na
- 5,495,673 A 3/1996 Gardiner et al.
- D375,243 S \* 11/1996 Hasegawa ..... D22/118
- 5,594,966 A 1/1997 Goldman

(Continued)

*Primary Examiner* — Ricky Pham

(74) *Attorney, Agent, or Firm* — Kilpatrick Townsend & Stockton LLP

(57) **CLAIM**

The ornamental design for a knife, as shown and described.

**DESCRIPTION**

FIG. 1 is a right side view of a knife with a sharpener detached from the handle, the left side view being a mirror image of the right side view.

FIG. 2 is a top view of the knife of FIG. 1.

FIG. 3 is a bottom view of the knife of FIG. 1.

FIG. 4 is a perspective view of the knife of FIG. 1 with the sharpener detached from the handle and oriented for insertion into the knife handle.

FIG. 5 is a perspective view of the knife of FIG. 1 with the sharpener inserted into the knife handle.

FIG. 6 is a perspective view of the knife of FIG. 1 with the sharpener inserted into the knife handle and in a locked orientation.

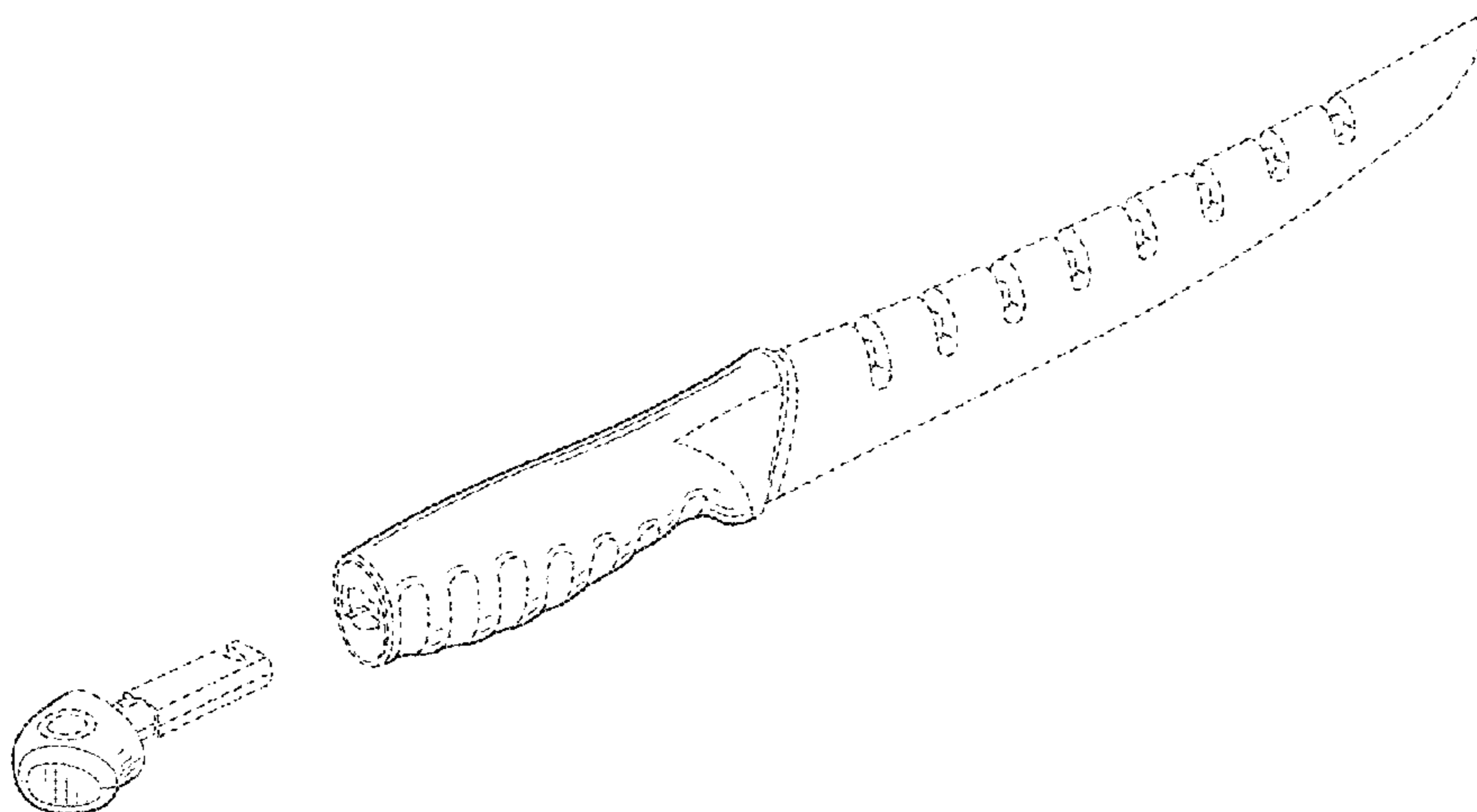
FIG. 7 is a right side view of the knife of FIG. 1 with the sharpener inserted into the handle, the left side view being a mirror image of the right side view.

FIG. 8 is a top view of the knife of FIG. 7; and,

FIG. 9 is a bottom view of the knife of FIG. 7.

The broken lines shown in the drawings are for illustrative purposes only and form no part of the claimed design.

**1 Claim, 3 Drawing Sheets**



(56)

**References Cited**

U.S. PATENT DOCUMENTS

5,605,495 A	2/1997	Jenkins, Jr.		8,051,570 B1	11/2011	Brown	
D388,285 S *	12/1997	Neshat .....	D7/401.2	D676,719 S	2/2013	Hunter	
D435,400 S	12/2000	Veltz et al.		8,381,339 B2	2/2013	Knapp	
D436,828 S *	1/2001	Benktzon .....	D8/107	D678,456 S	3/2013	Carson	
D436,829 S *	1/2001	Benktzon .....	D8/107	D690,184 S *	9/2013	Chen .....	D8/107
7,018,281 B2	3/2006	Yahav		D694,064 S *	11/2013	Costa .....	D7/401.2
D564,326 S	3/2008	Tsuda et al.		D699,808 S	2/2014	Nordwall	
D564,329 S *	3/2008	Hsieh .....	D8/107	D709,982 S *	7/2014	Freeman .....	D22/118
7,337,486 B2	3/2008	Tsuda et al.		8,943,698 B2	2/2015	Hirai	
D591,040 S	4/2009	Foster et al.		2006/0080840 A1	4/2006	Freeman	
D622,573 S	8/2010	Friesen et al.		2008/0086893 A1	4/2008	Tsuda et al.	
				2009/0056503 A1	3/2009	Friesen et al.	
				2013/0205597 A1	8/2013	Hirai	
				2014/0338197 A1	11/2014	Frazer	

\* cited by examiner

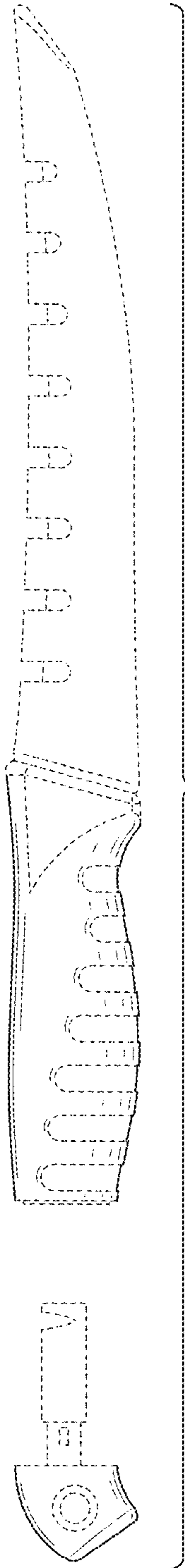


FIG. 1

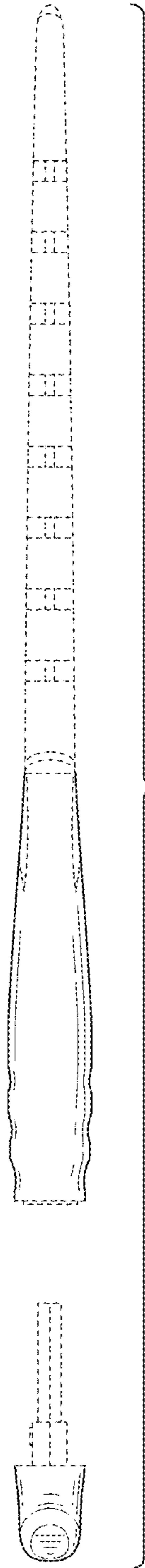


FIG. 2

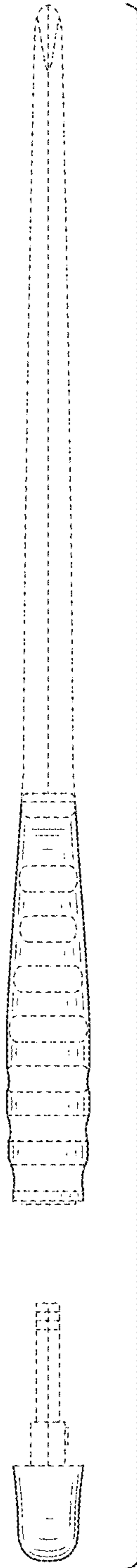
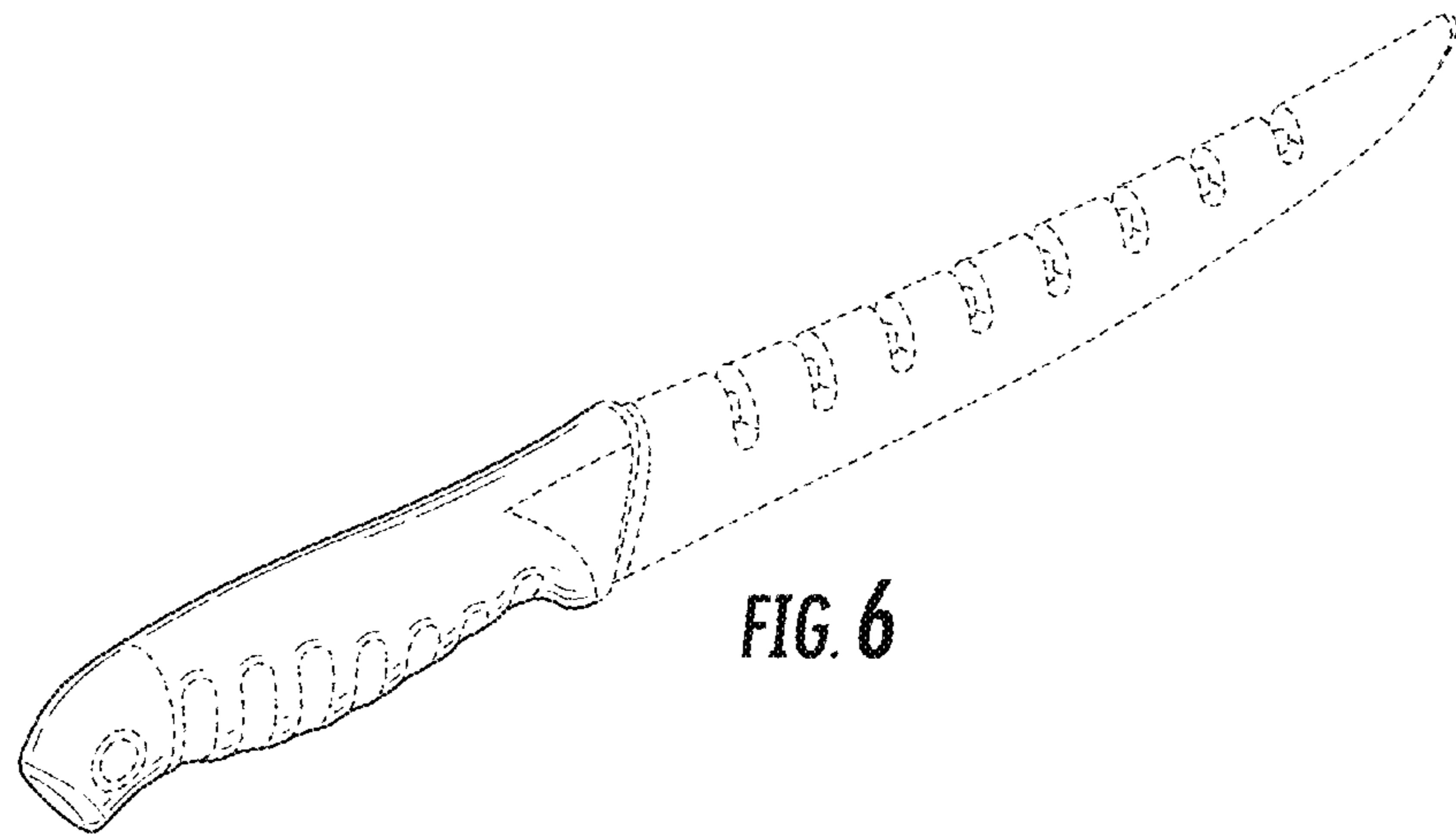
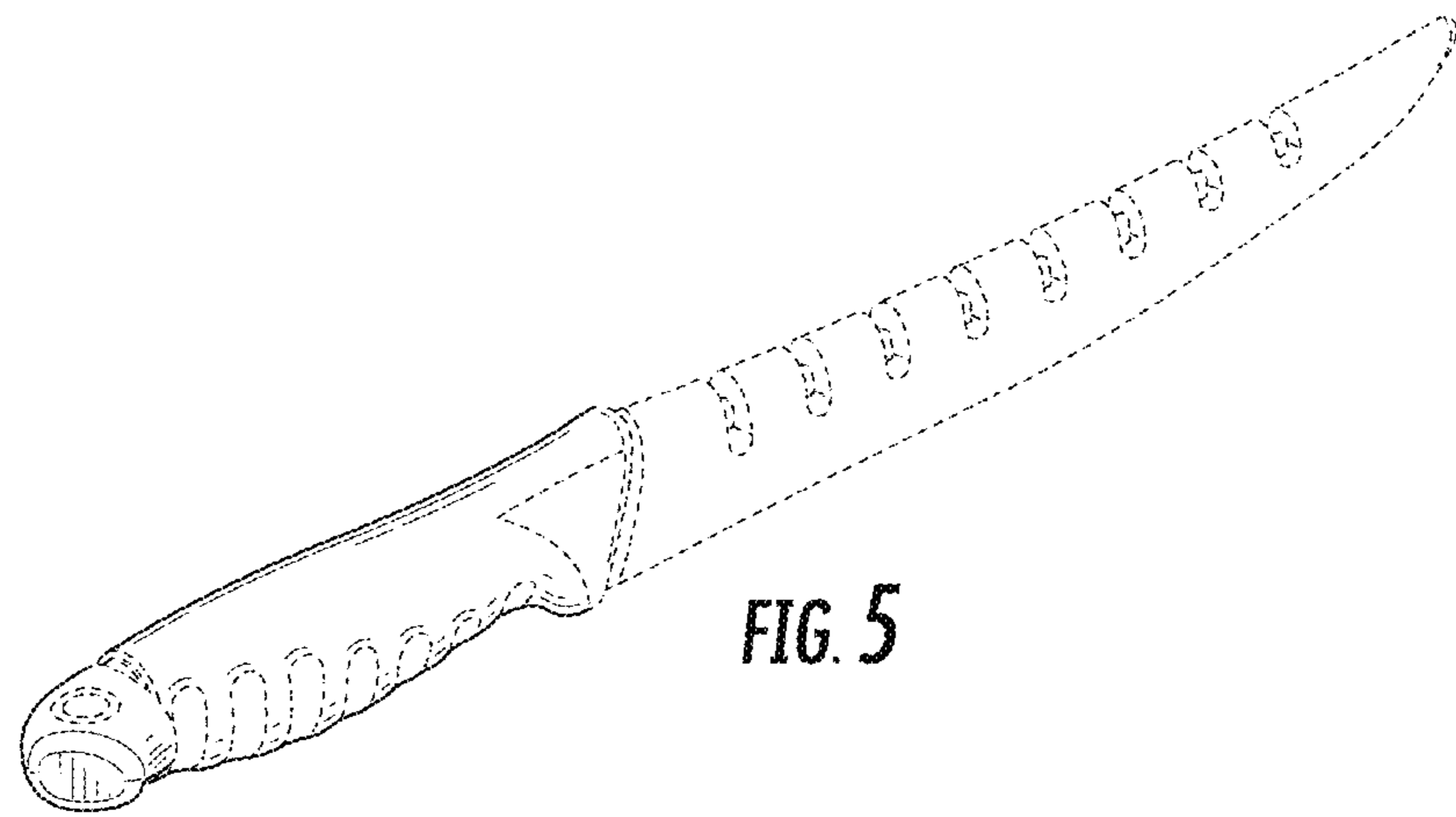
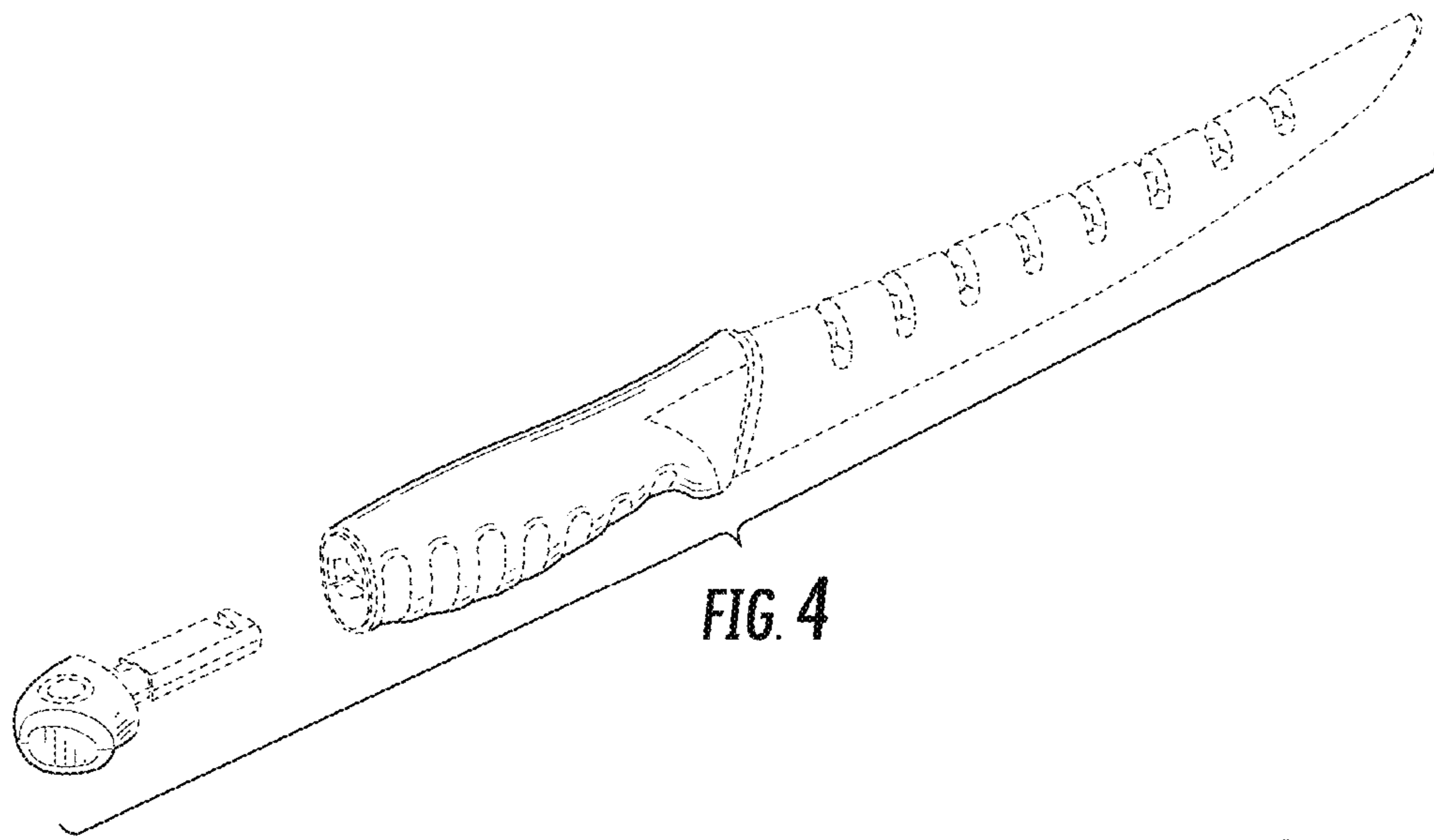
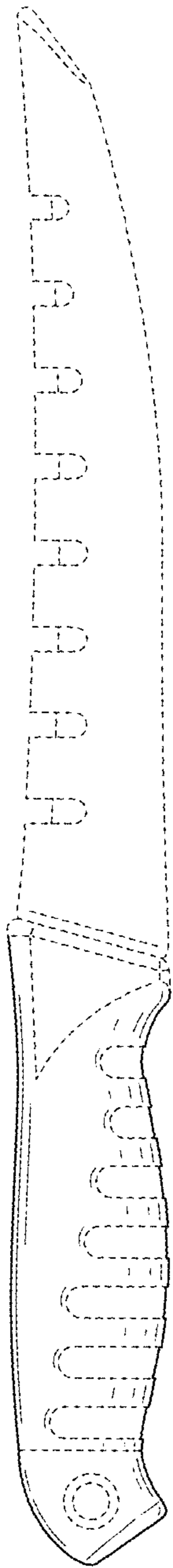
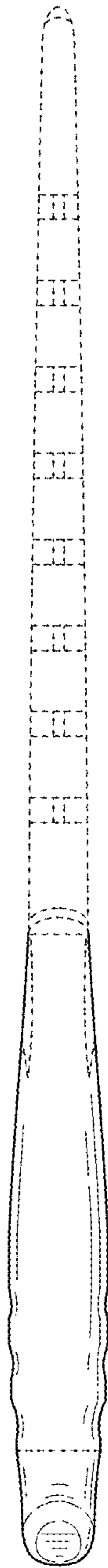


FIG. 3

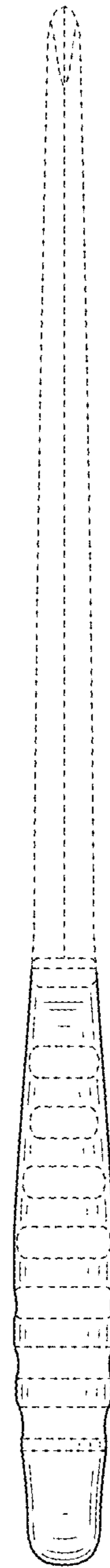




**FIG. 7**



**FIG. 8**



**FIG. 9**