

US00D767934S

(12) **United States Design Patent** (10) **Patent No.:** **US D767,934 S**
McConnell et al. (45) **Date of Patent:** **** Oct. 4, 2016**

(54) **IMMERSION BLENDER**

FOREIGN PATENT DOCUMENTS

(71) Applicant: **Whirlpool Corporation**, Benton Harbor, MI (US)
(72) Inventors: **John W. McConnell**, St. Joseph, MI (US); **Leif A. Norland**, St. Joseph, MI (US); **Joel Graham VanFaasen**, Holland, MI (US); **Zhaoyi Yin**, Benton Harbor, MI (US)
(73) Assignee: **Whirlpool Corporation**, Benton Harbor, MI (US)

CN 101242764 B 10/2010
EP 2130469 A1 12/2009

(Continued)

(**) Term: **14 Years**

OTHER PUBLICATIONS

(21) Appl. No.: **29/517,905**

European Patent Office, "European Search Report," Jul. 1, 2016 (5 pages).

(22) Filed: **Feb. 18, 2015**

Primary Examiner — Ricky Pham

(51) **LOC (10) Cl.** **31-00**

(57) **CLAIM**

(52) **U.S. Cl.**

The ornamental design for an immersion blender, as shown and described.

USPC **D7/380**; D7/376; D7/379

(58) **Field of Classification Search**

DESCRIPTION

USPC D7/372-373, 376-386, 412-413, 602, D7/629, 665-666, 669, 679, 693-694

CPC A21C 1/02; A21C 1/04; A23N 1/00; A23N 1/02; A47J 43/04; A47J 43/25; A47J 43/27; A47J 43/042; A47J 43/044; A47J 43/046; A47J 43/075; A47J 43/0705; A47J 43/0711; A47J 43/0722; A47J 43/0727; B01F 3/00; B01F 3/0807; B01F 3/0853; B01F 7/002; B01F 7/22; B01F 7/00583; B01F 13/0059; B01F 13/0064; B01F 15/00006; B02C 1/08; B02C 2/04; B02C 4/42; B02C 4/142; B02C 4/143; B02C 4/423; B02C 13/1835; B28C 5/10; B28C 5/12; B28C 5/14; B28C 5/16

See application file for complete search history.

FIG. 1 is a top perspective view of an immersion blender; FIG. 2 is a bottom perspective view of the immersion blender of FIG. 1; FIG. 3 is a first side elevational view of the immersion blender of FIG. 1; FIG. 4 is a second side elevational view of the immersion blender of FIG. 1; FIG. 5 is a third side elevational view of the immersion blender of FIG. 1; FIG. 6 is a fourth side elevational view of the immersion blender of FIG. 1; FIG. 7 is a top plan view of the immersion blender of FIG. 1; and, FIG. 8 is a bottom plan view of the immersion blender of FIG. 1.

(56) **References Cited**

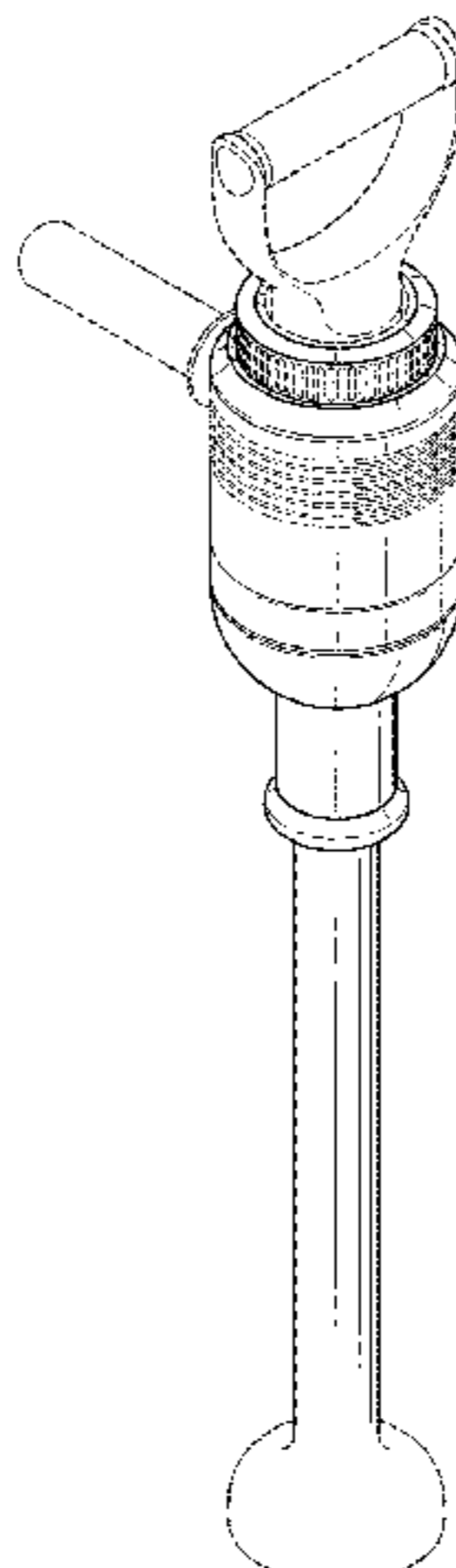
U.S. PATENT DOCUMENTS

2,789,799 A 4/1957 Kaufman
2,804,290 A 8/1957 Kaufman
3,924,169 A 12/1975 Craft et al.
5,316,382 A 5/1994 Penaranda et al.

The broken lines shown in the drawings are for illustrative purposes only and form no part of the claimed design.

(Continued)

1 Claim, 4 Drawing Sheets



(56)

References Cited

U.S. PATENT DOCUMENTS

D421,872 S * 3/2000 Wong D7/376
 6,193,404 B1 * 2/2001 Calange A47J 43/0711
 366/129
 6,488,400 B1 12/2002 Masip et al.
 D494,410 S * 8/2004 Stuart D7/379
 6,974,244 B1 * 12/2005 Lin A47J 43/0705
 366/129
 7,172,334 B2 2/2007 Chiappetta
 7,267,476 B2 9/2007 Rutigliano et al.
 D623,009 S * 9/2010 Bodum D7/376
 7,874,719 B2 * 1/2011 Markle B01F 7/002
 366/273
 8,033,712 B2 * 10/2011 Calange A47J 43/0705
 366/129

8,353,620 B2 1/2013 Ogrizek et al.
 D724,374 S * 3/2015 Sanguinetti D7/376
 2005/0111296 A1 * 5/2005 Rutigliano B01F 15/00006
 366/129
 2005/0276158 A1 * 12/2005 Thomas B01F 7/22
 366/250
 2005/0281130 A1 * 12/2005 Hsieh B01F 7/00583
 366/129
 2012/0097775 A1 4/2012 Wade et al.

FOREIGN PATENT DOCUMENTS

WO 2011001312 A1 1/2011
 WO 2011113082 A1 9/2011

* cited by examiner

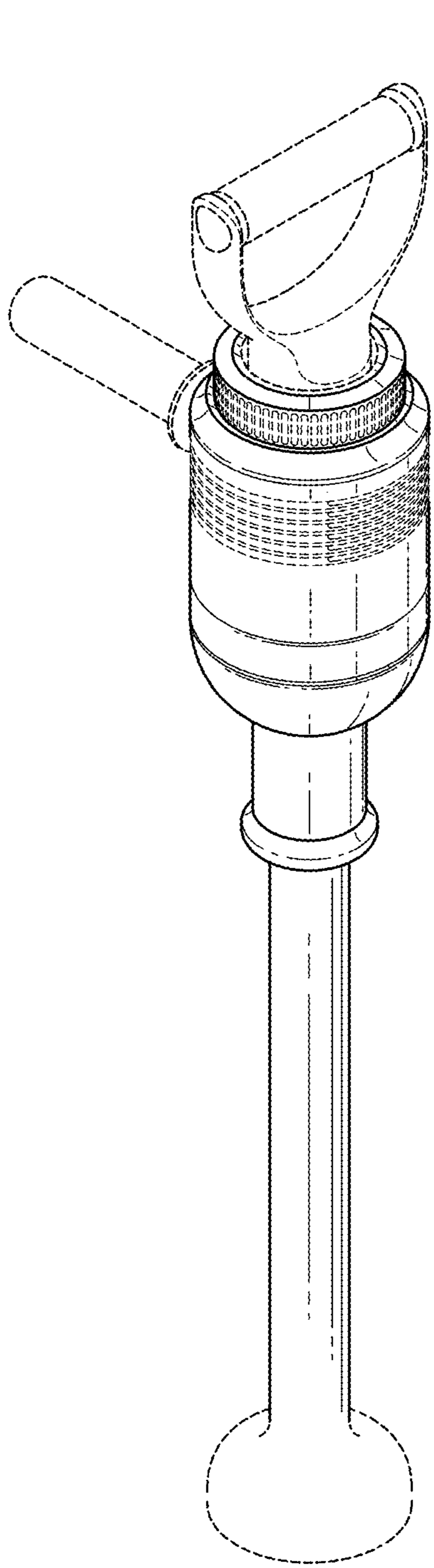


FIG. 1

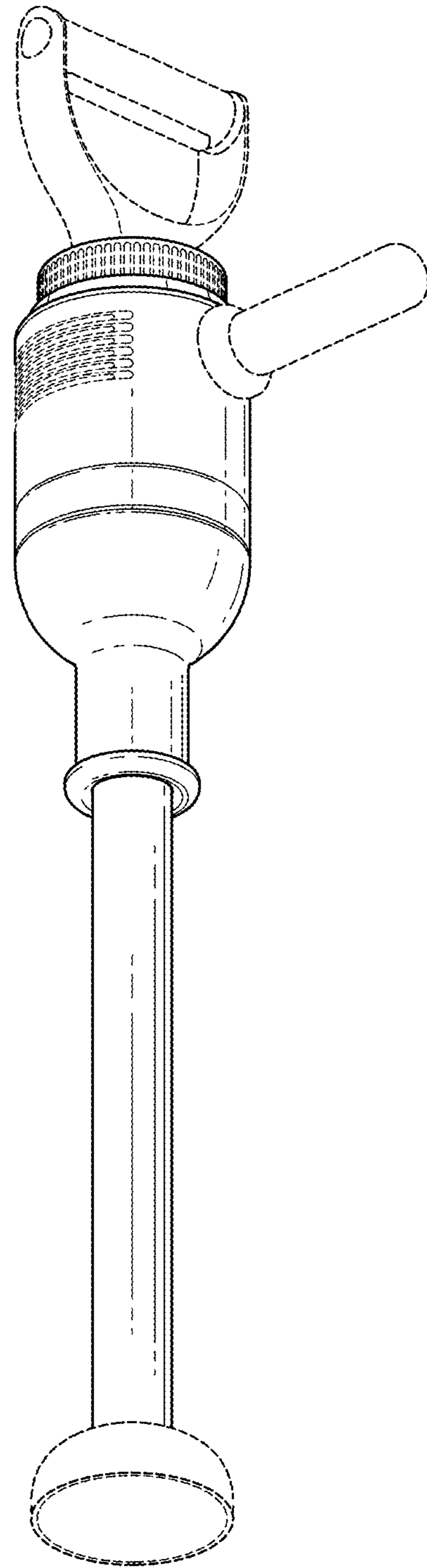


FIG. 2

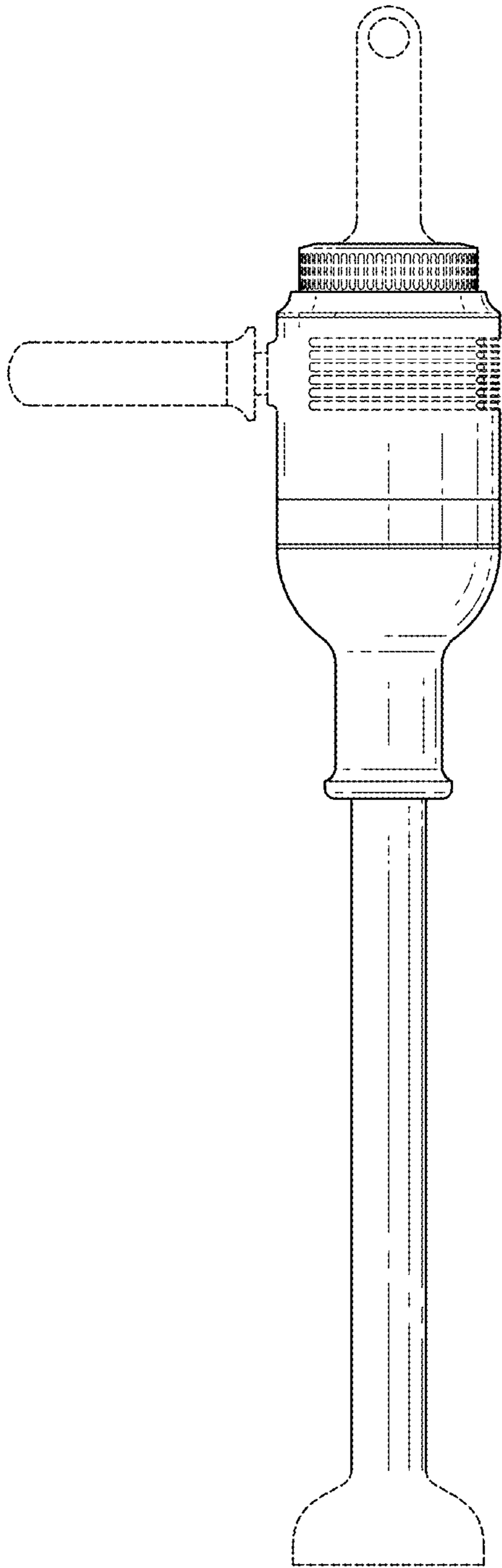


FIG. 3

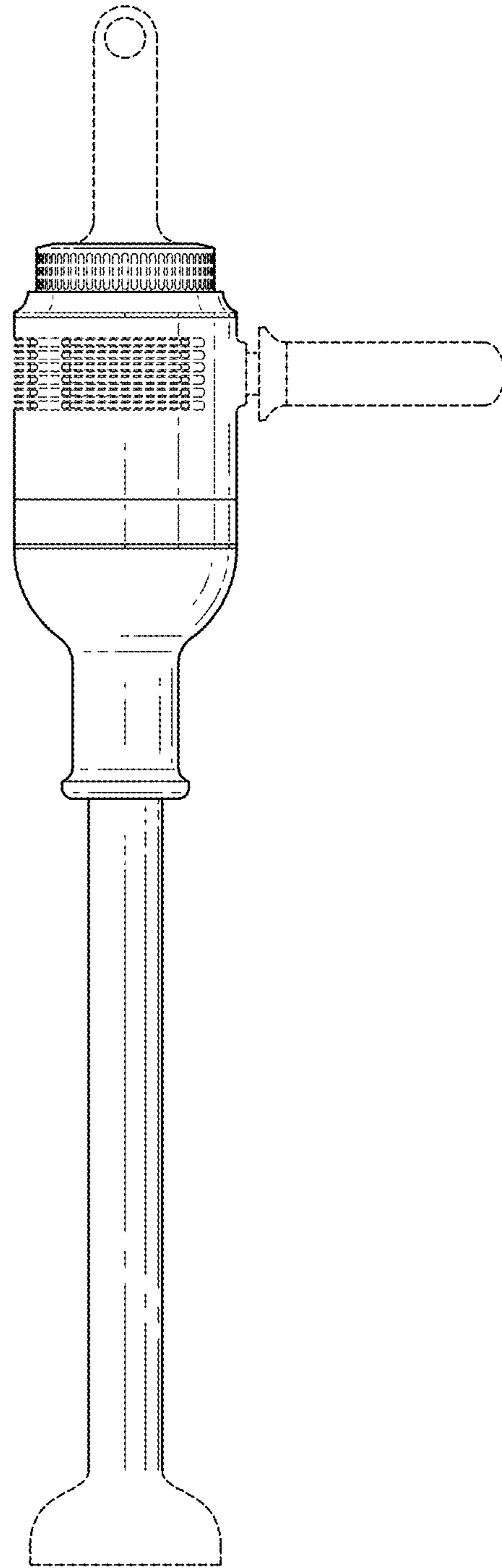


FIG. 4

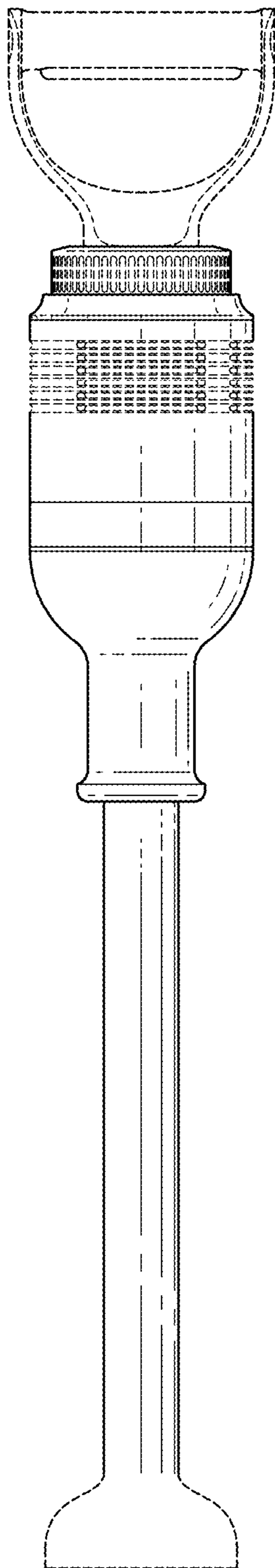


FIG. 5

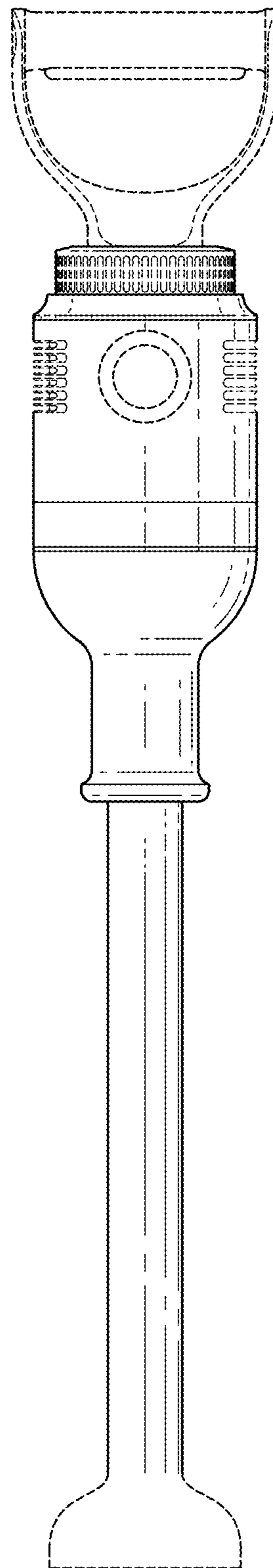


FIG. 6

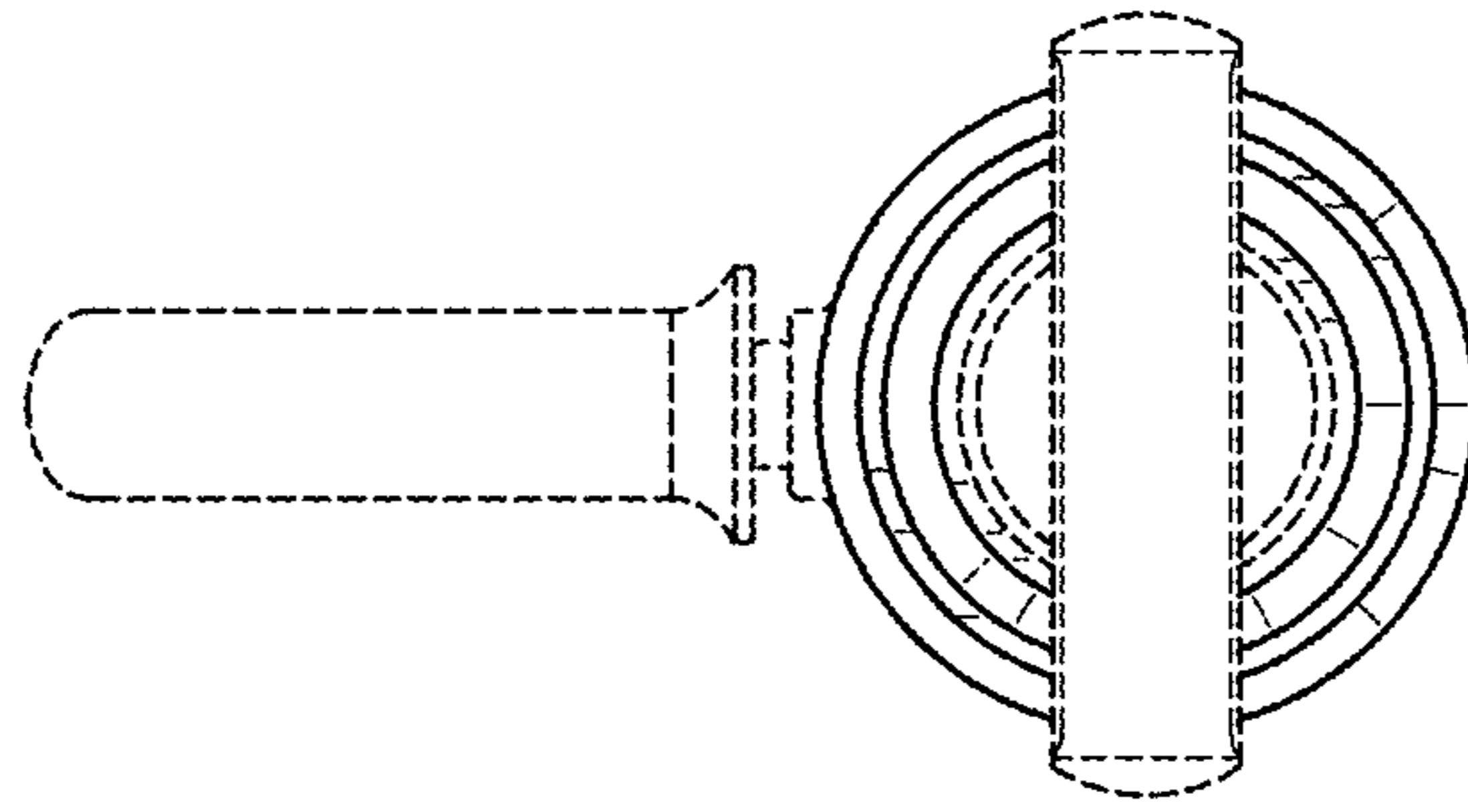


FIG. 7

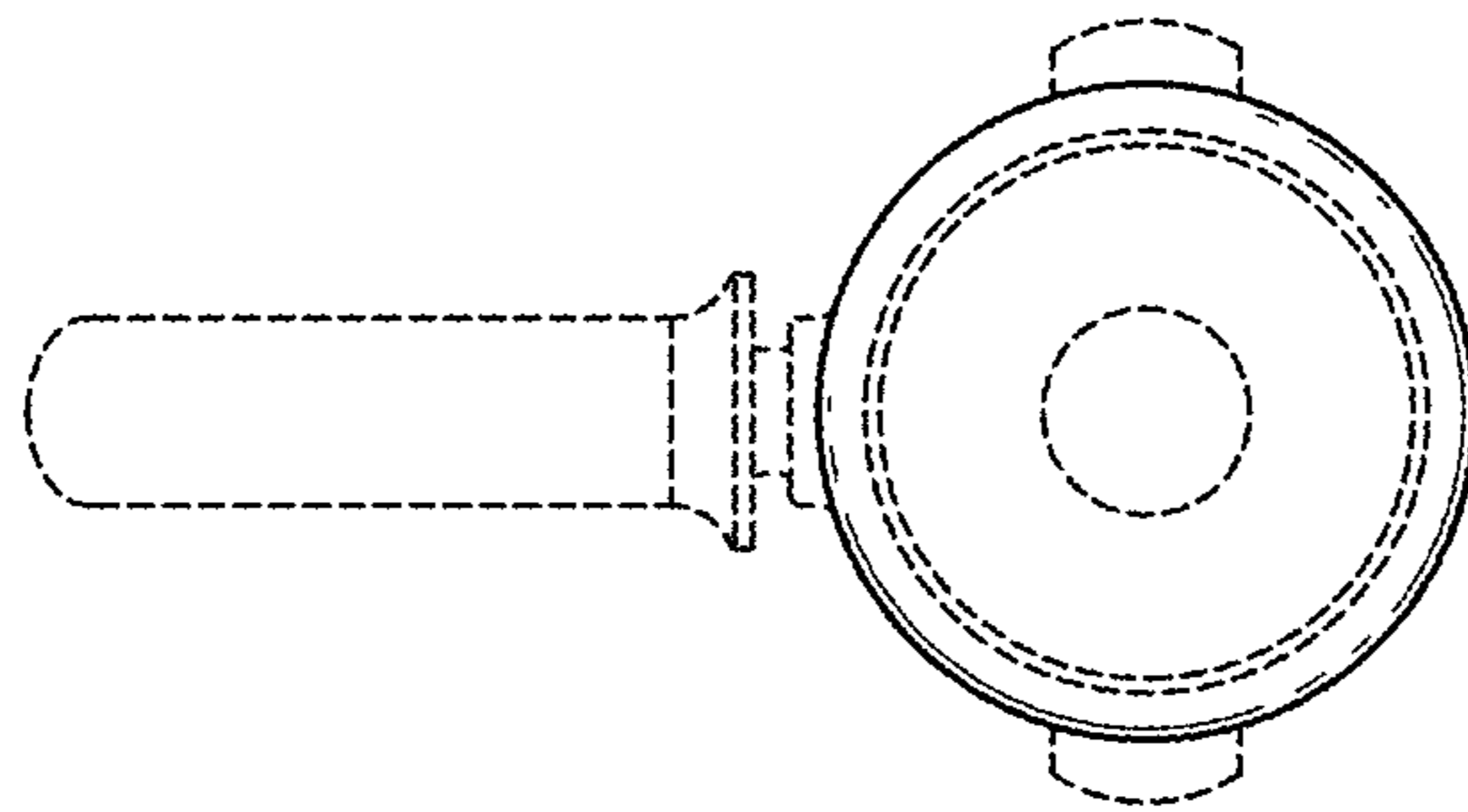


FIG. 8