



US00D767932S

(12) **United States Design Patent**
Nakamura

(10) **Patent No.:** **US D767,932 S**

(45) **Date of Patent:** **** Oct. 4, 2016**

- (54) **REFLECTIVE OVEN FOR S'MORES**
- (71) Applicant: **Tammy Nakamura**, Belfair, WA (US)
- (72) Inventor: **Tammy Nakamura**, Belfair, WA (US)
- (**) Term: **14 Years**
- (21) Appl. No.: **29/504,501**
- (22) Filed: **Oct. 7, 2014**
- (51) **LOC (10) Cl.** **07-02**
- (52) **U.S. Cl.**
USPC **D7/348**
- (58) **Field of Classification Search**
USPC D7/323, 328-330, 339-349, 390,
D7/402-406
CPC A21B 2/00; A47J 33/00; A47J 37/00;
A47J 37/06; A47J 37/0611; A47J 37/0763;
A47J 37/08; A47J 37/0807; A47J 37/0814;
A47J 37/0835; A47J 37/0842; A47J 37/085;
A47J 37/0864; A47J 37/0878; A47J 37/0885;
A47J 37/0892; F24B 1/202; F24B 1/205;
F24C 1/16; F24C 7/00; F24C 7/002; F24C
7/046; F24C 7/067; F24C 15/007; F24C
15/02; F24C 15/04; F24C 15/10; F24C
15/102
See application file for complete search history.

- 2,580,925 A * 1/1952 Jarvis F24B 1/205
126/14
- 2,757,664 A * 8/1956 McDowell F24B 1/205
126/274
- 2,921,577 A * 1/1960 Smith A47J 37/0763
126/274
- 2,969,055 A 1/1961 Martin
- 3,026,866 A * 3/1962 Lynch F24B 1/205
126/274
- 3,067,737 A 12/1962 Lucian
- 3,898,980 A 8/1975 Reimann
- 4,508,096 A * 4/1985 Slattery F24C 1/16
126/26
- 4,535,753 A 8/1985 Zayauskas
- 5,243,961 A * 9/1993 Harris F24C 1/16
126/25 R
- D381,412 S 7/1997 Rimback
- 5,927,266 A * 7/1999 Maugard F24C 15/007
126/26
- 5,983,887 A 11/1999 Bourgeois
- 7,934,494 B1 * 5/2011 Schneider A47J 33/00
126/241
- 2004/0007229 A1 1/2004 Sproul

* cited by examiner

Primary Examiner — Ricky Pham

(57) **CLAIM**

I claim the ornamental design for the reflective oven for S'mores, as shown and described.

(56) **References Cited**

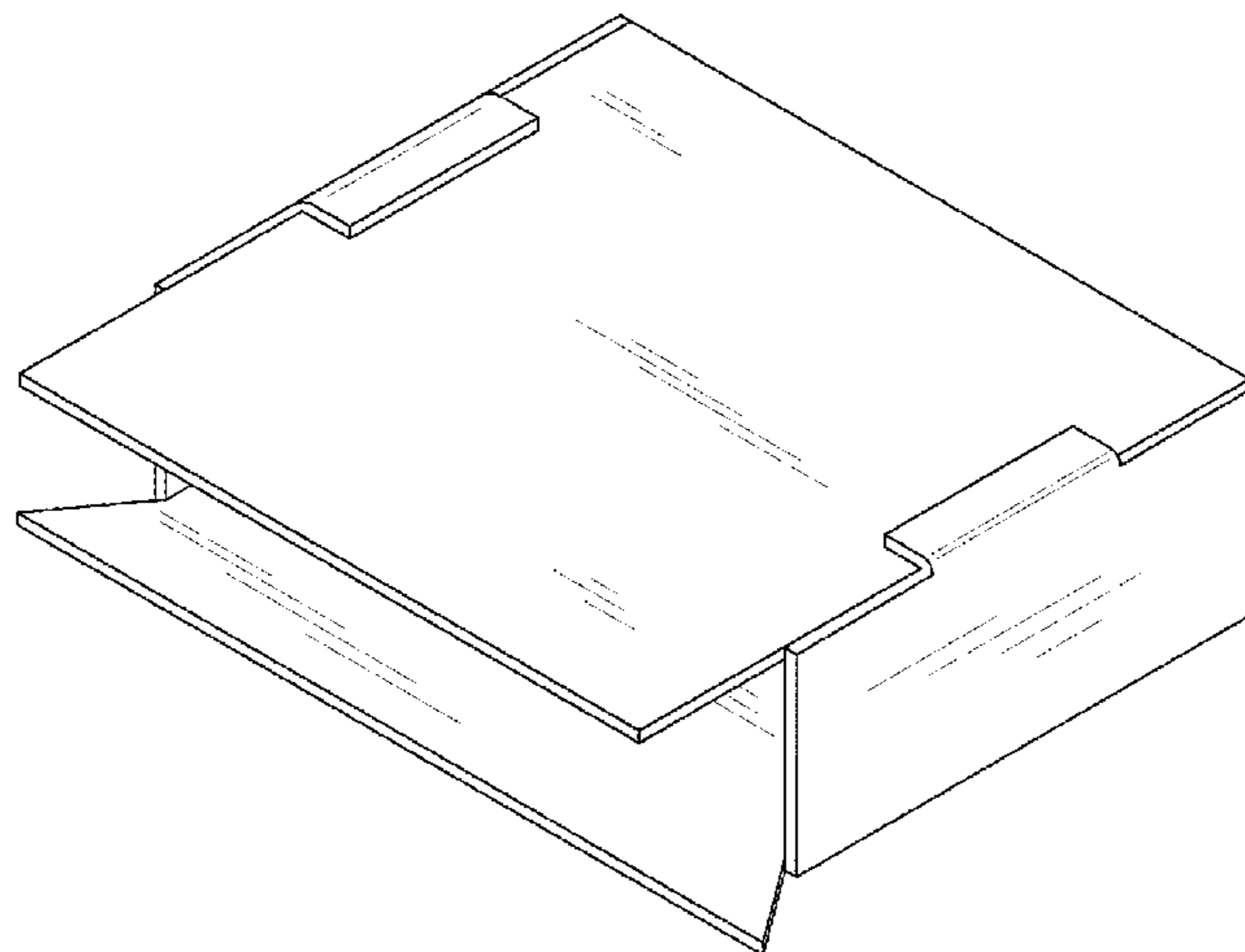
U.S. PATENT DOCUMENTS

- 132,167 A 10/1872 Marshall
- 216,003 A * 5/1879 Watson F24B 1/205
126/274
- 240,639 A * 4/1881 Austin F24B 1/205
126/274
- 449,432 A * 3/1891 Watson F24B 1/205
126/274
- 548,499 A * 10/1895 Ashmore F24B 1/205
126/14
- 897,459 A * 9/1908 Grant F24B 1/202
126/274

DESCRIPTION

FIG. 1 is a top view of the reflective oven for S'mores.
 FIG. 2 is a bottom view of the claimed design.
 FIG. 3 is a left side view of the claimed design.
 FIG. 4 is a front view of the claimed design.
 FIG. 5 is a rear view of the claimed design; and,
 FIG. 6 is a perspective view of the claimed design folded for in use.
 The broken lines of FIG. 1 are environmental matter forming no part of the claimed design.

1 Claim, 4 Drawing Sheets



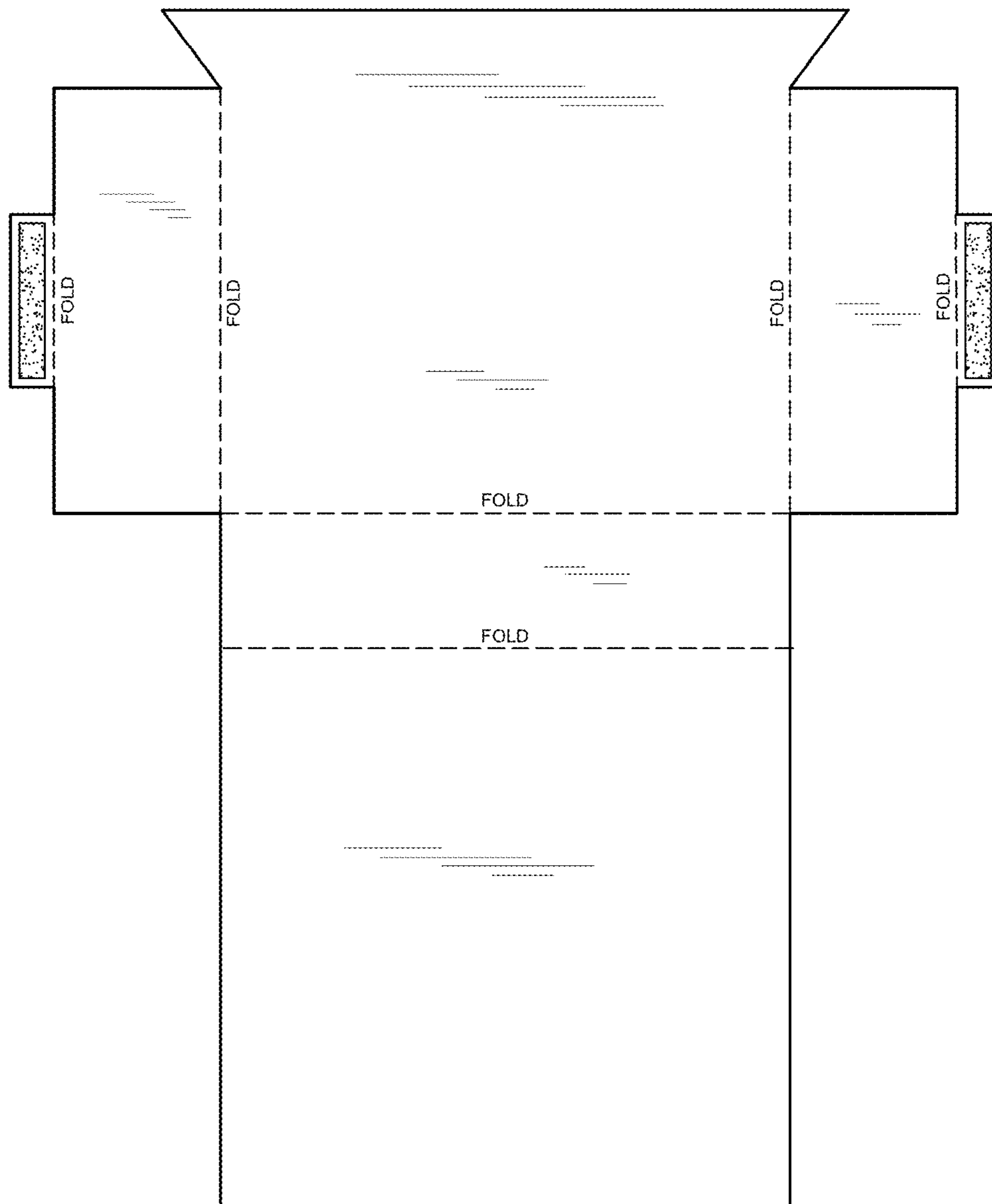


FIG. 1

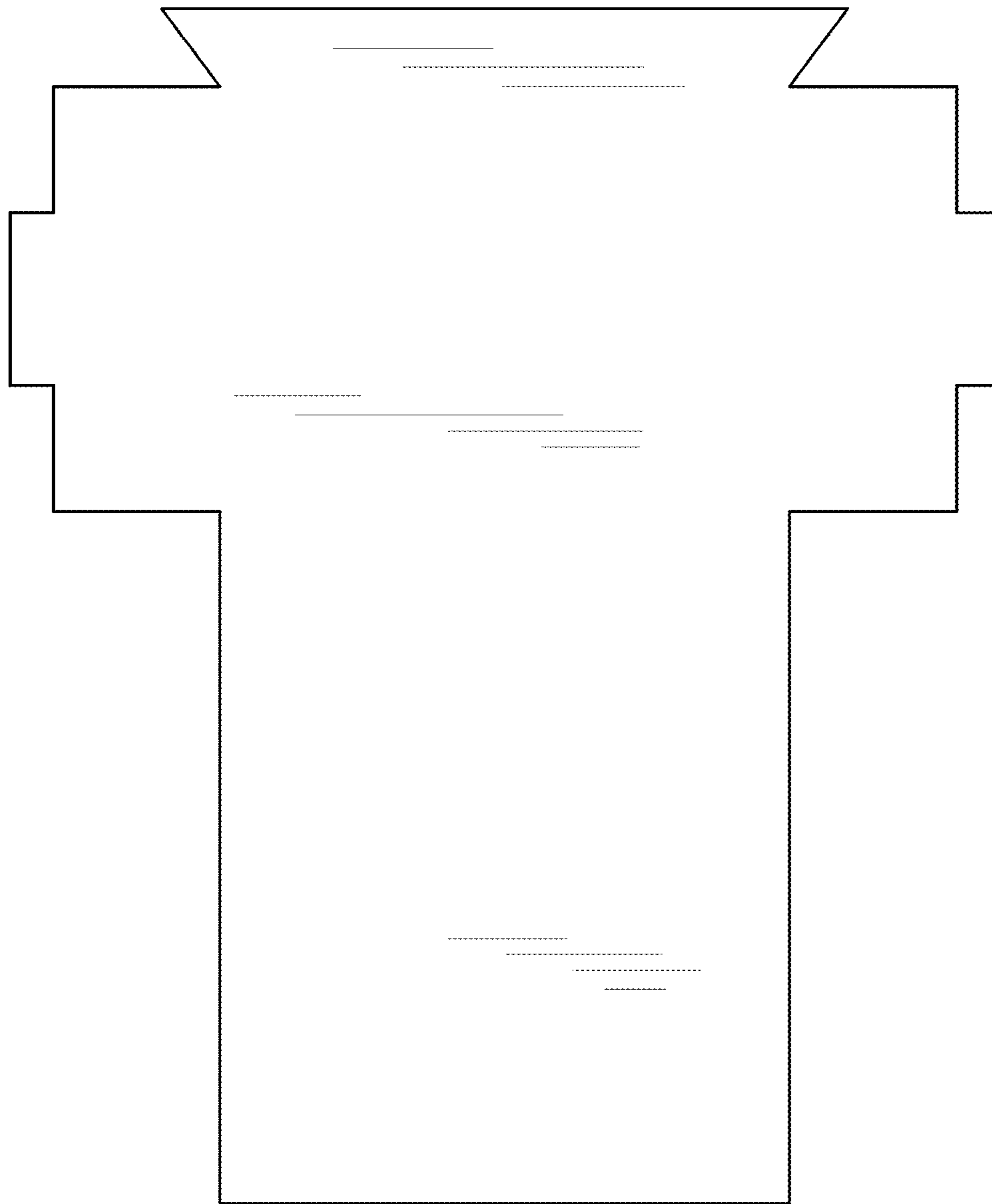


FIG. 2



FIG. 3

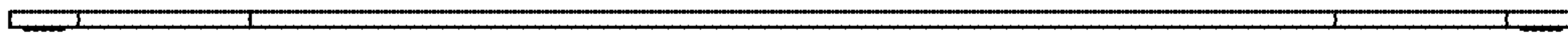


FIG. 4



FIG. 5

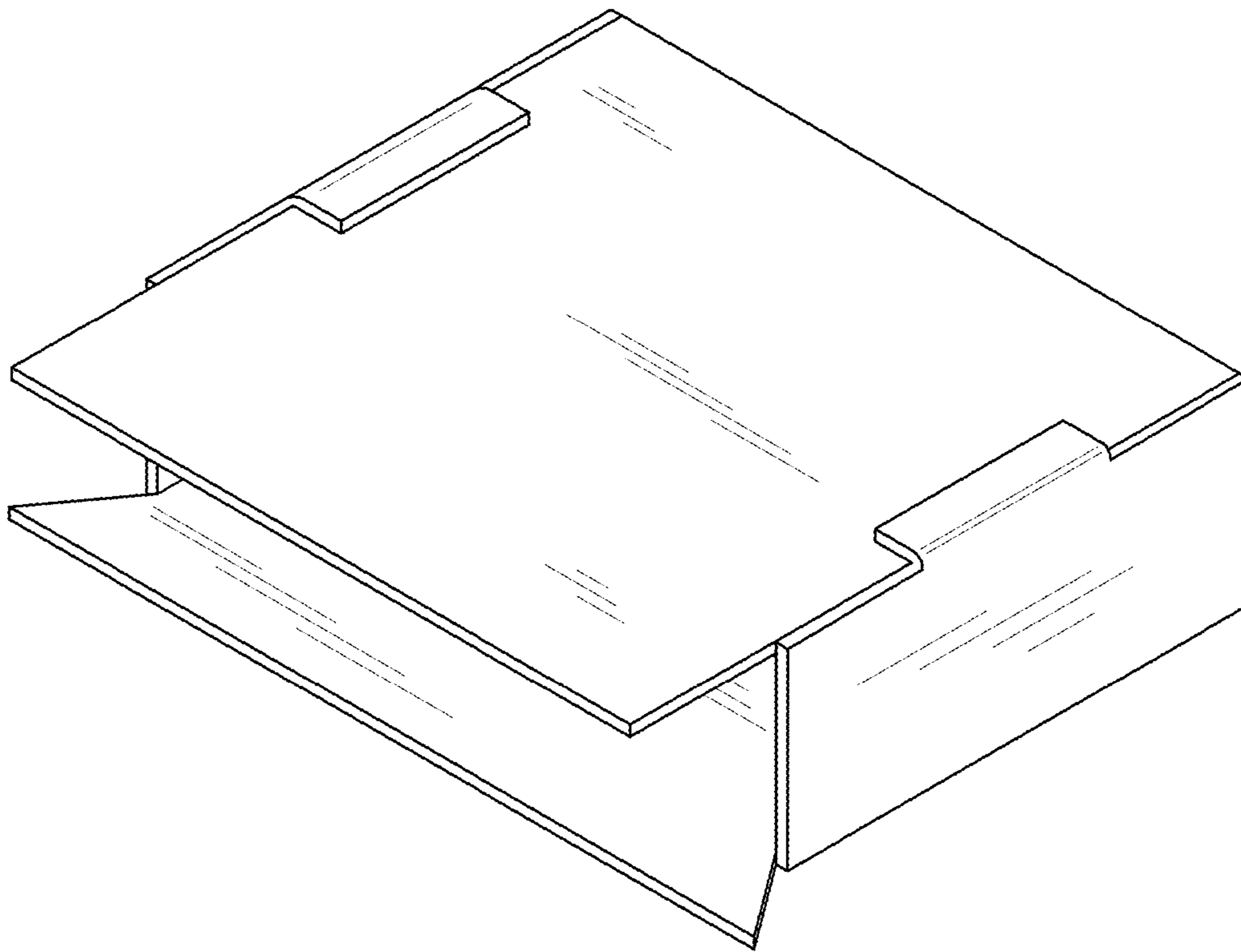


FIG. 6