



US00D767928S

(12) **United States Design Patent**
Silvonen

(10) **Patent No.:** **US D767,928 S**

(45) **Date of Patent:** **** Oct. 4, 2016**

(54) **SEAT**

(71) Applicant: **Timo Silvonen**, Helsinki (FI)

(72) Inventor: **Timo Silvonen**, Helsinki (FI)

(73) Assignee: **PLANMECA OY**, Helsinki (FI)

(**) Term: **15 Years**

(21) Appl. No.: **29/527,324**

(22) Filed: **May 18, 2015**

(30) **Foreign Application Priority Data**

Mar. 10, 2015 (CN) 2015 3 0057023

Mar. 10, 2015 (EM) 002649913

(51) **LOC (10) Cl.** **06-01**

(52) **U.S. Cl.**
USPC **D6/716; D6/366**

(58) **Field of Classification Search**
USPC D6/334-336, 360, 366, 374, 379, 380,
D6/716, 716.1, 716.2, 716.4
CPC A47C 7/38; A47C 7/54; A47C 7/022;
A47C 7/40; A47C 7/18
See application file for complete search history.

(56) **References Cited**

U.S. PATENT DOCUMENTS

D165,322 S * 12/1951 Burdick D6/366
D275,242 S * 8/1984 Stephens D6/360
D495,508 S * 9/2004 Summers D6/366

D577,933 S * 10/2008 Haaksma D6/366
D657,594 S * 4/2012 Knight D6/366
D677,952 S * 3/2013 Voyce, IV D6/716
D699,060 S * 2/2014 Geiger D6/716

* cited by examiner

Primary Examiner — Mimososa De

(74) *Attorney, Agent, or Firm* — Fay Sharpe LLP

(57) **CLAIM**

The ornamental design for a seat, as shown and described.

DESCRIPTION

FIG. 1 is a front perspective view of a seat;
FIG. 2 is a first side view thereof;
FIG. 3 is a rear perspective view thereof;
FIG. 4 is a rear view thereof;
FIG. 5 is a bottom plan view thereof;
FIG. 6 is the other side view thereof;
FIG. 7 is a front view thereof; and,
FIG. 8 is a top plan view thereof.
Broken lines are for illustration purposes only and form no part of the claimed design.

1 Claim, 4 Drawing Sheets

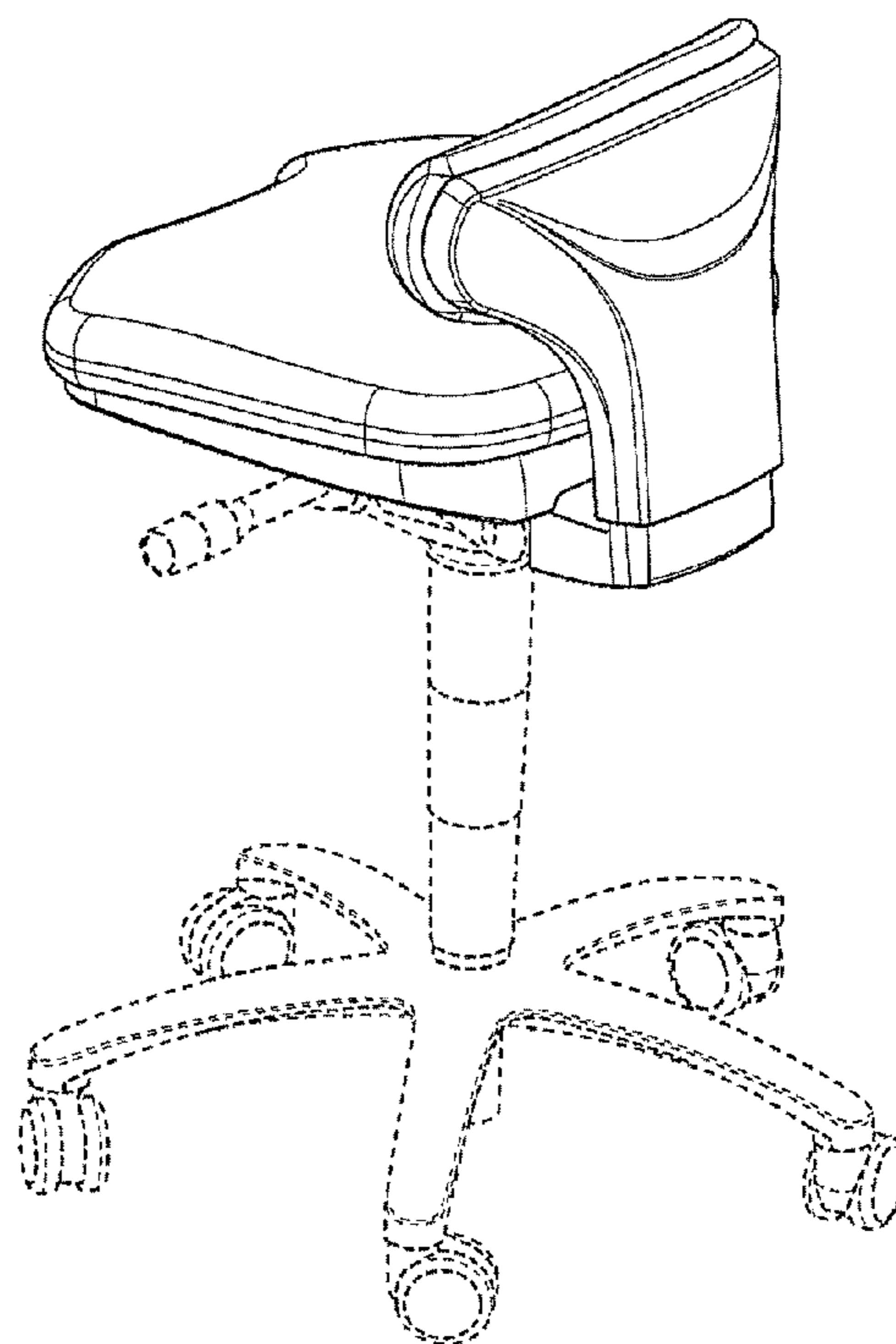
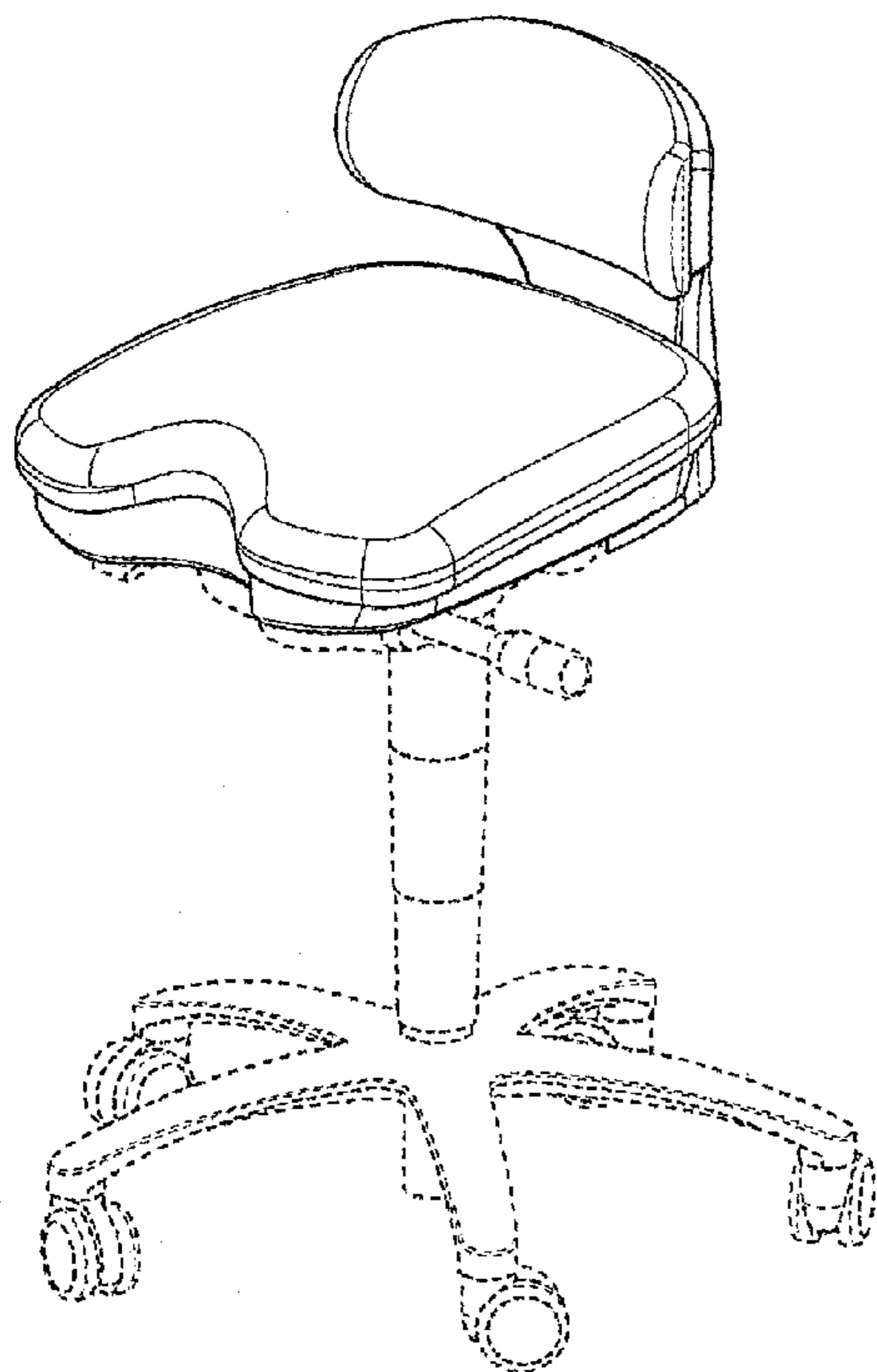


FIG. 2

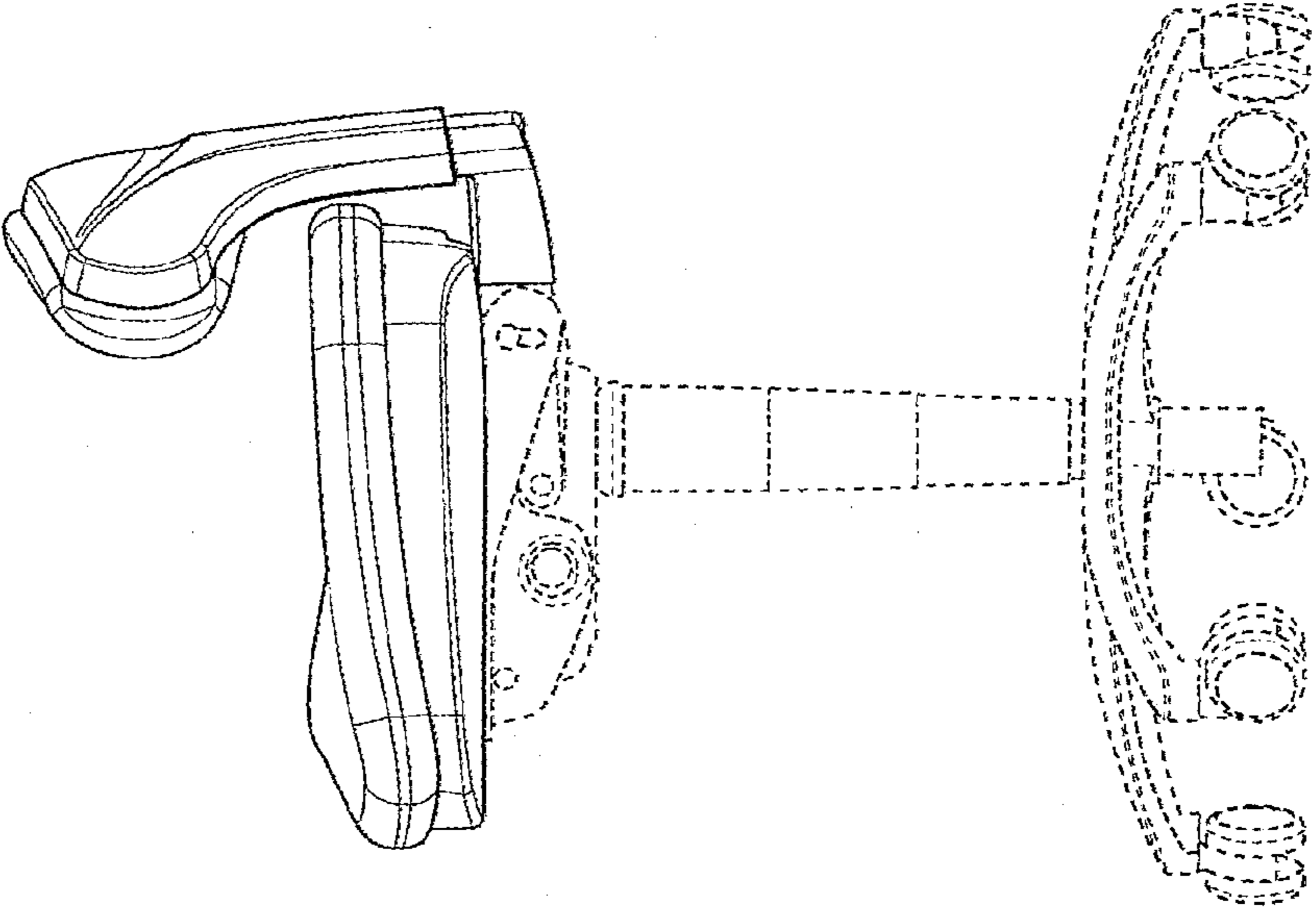


FIG. 1

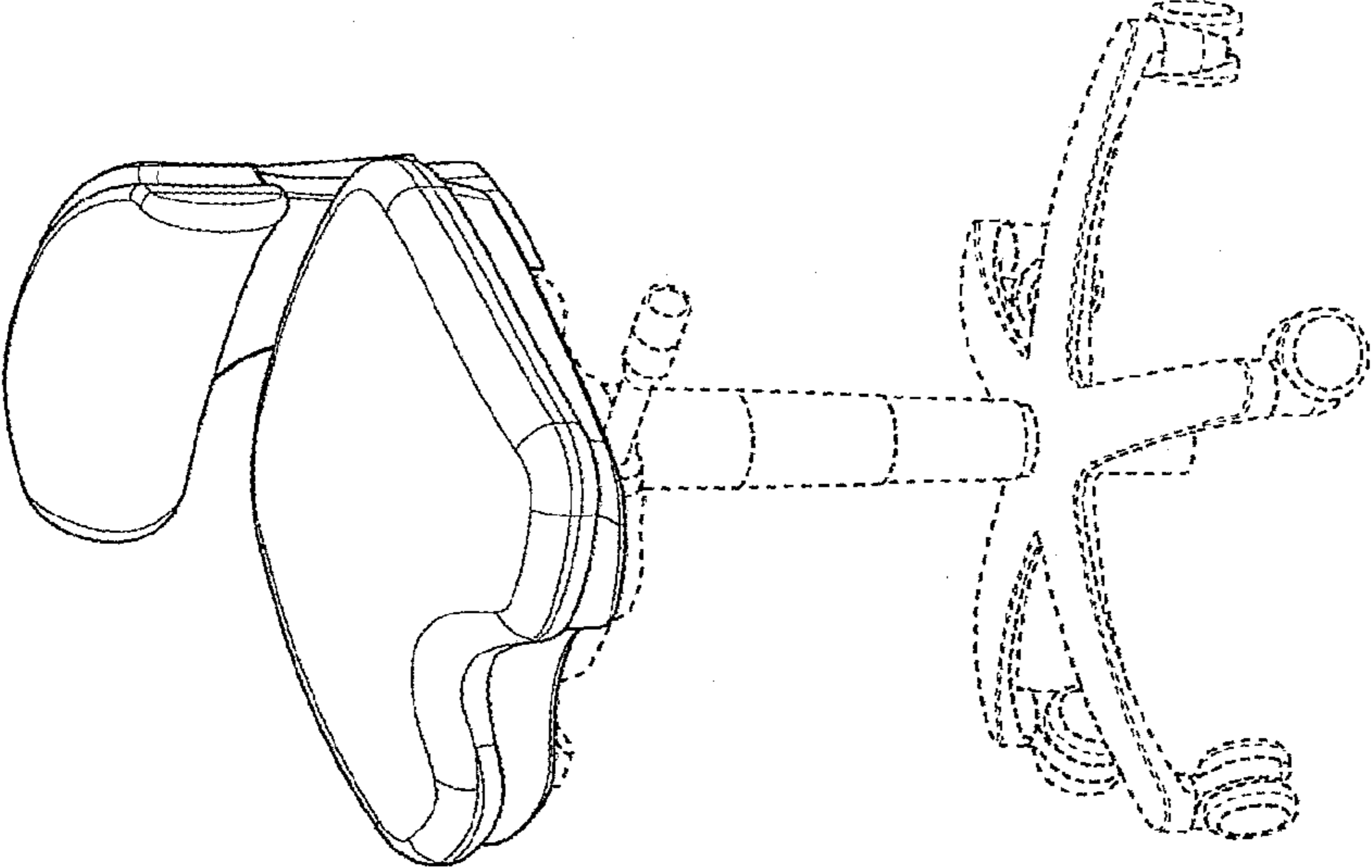


FIG. 4

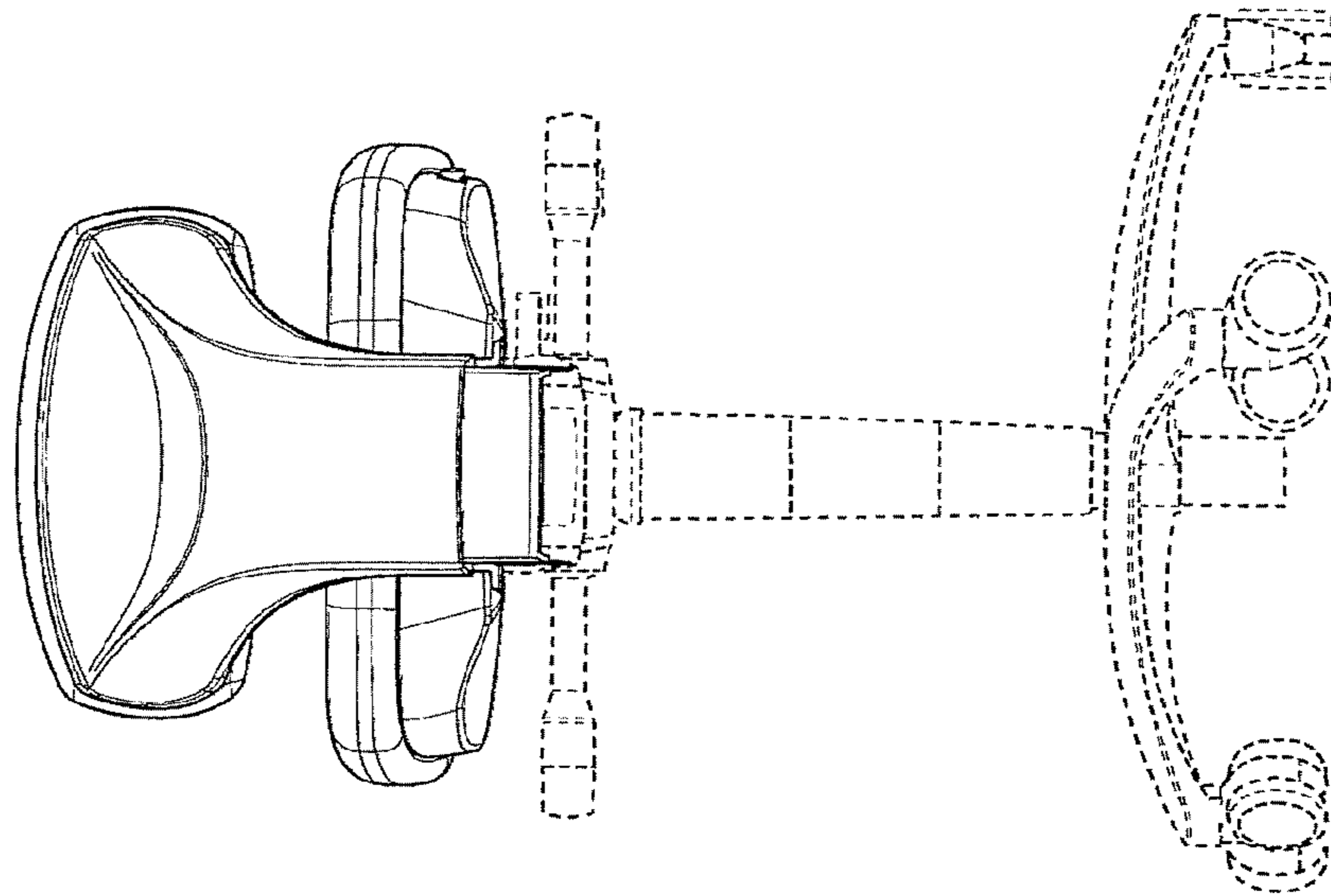


FIG. 3

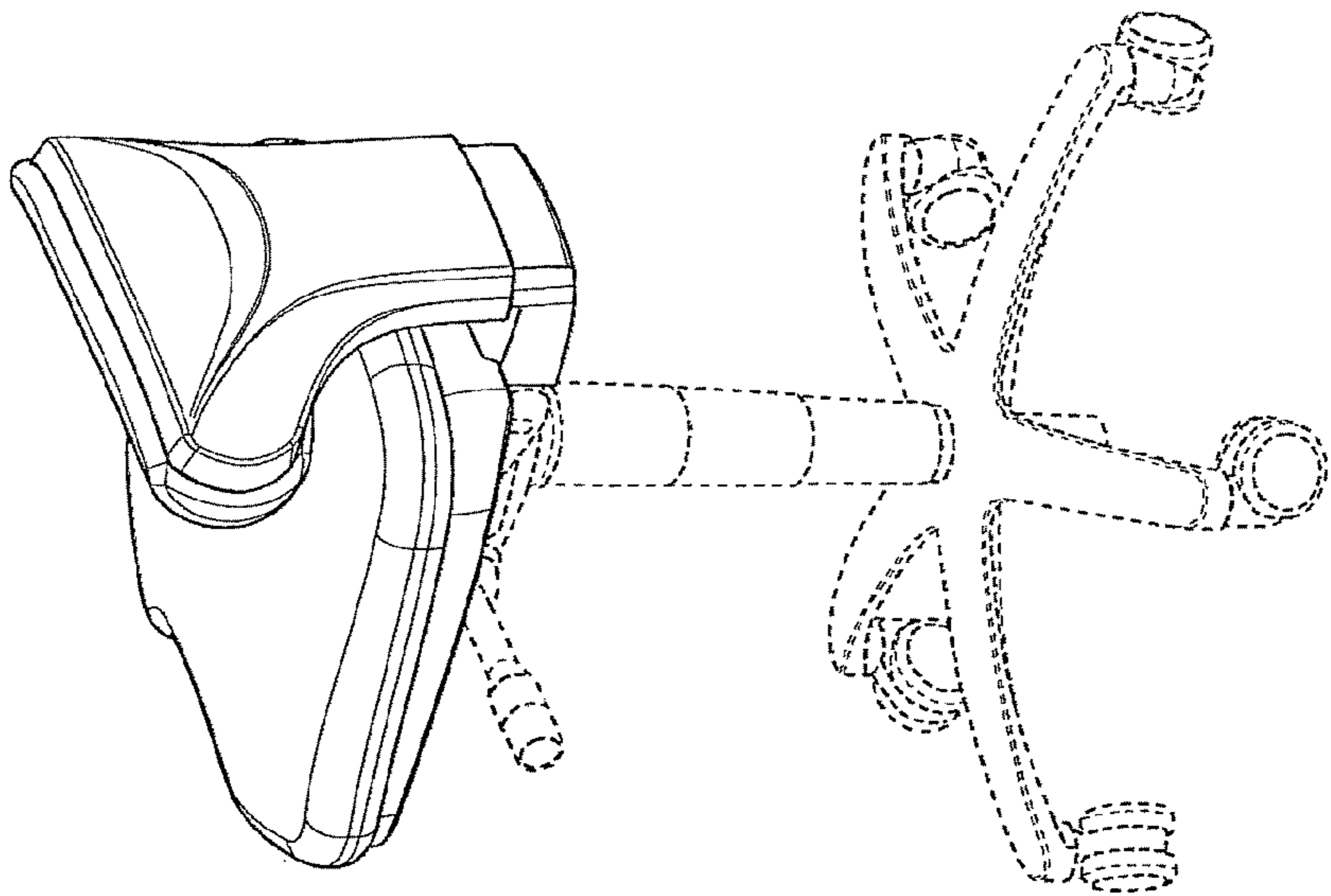


FIG. 6

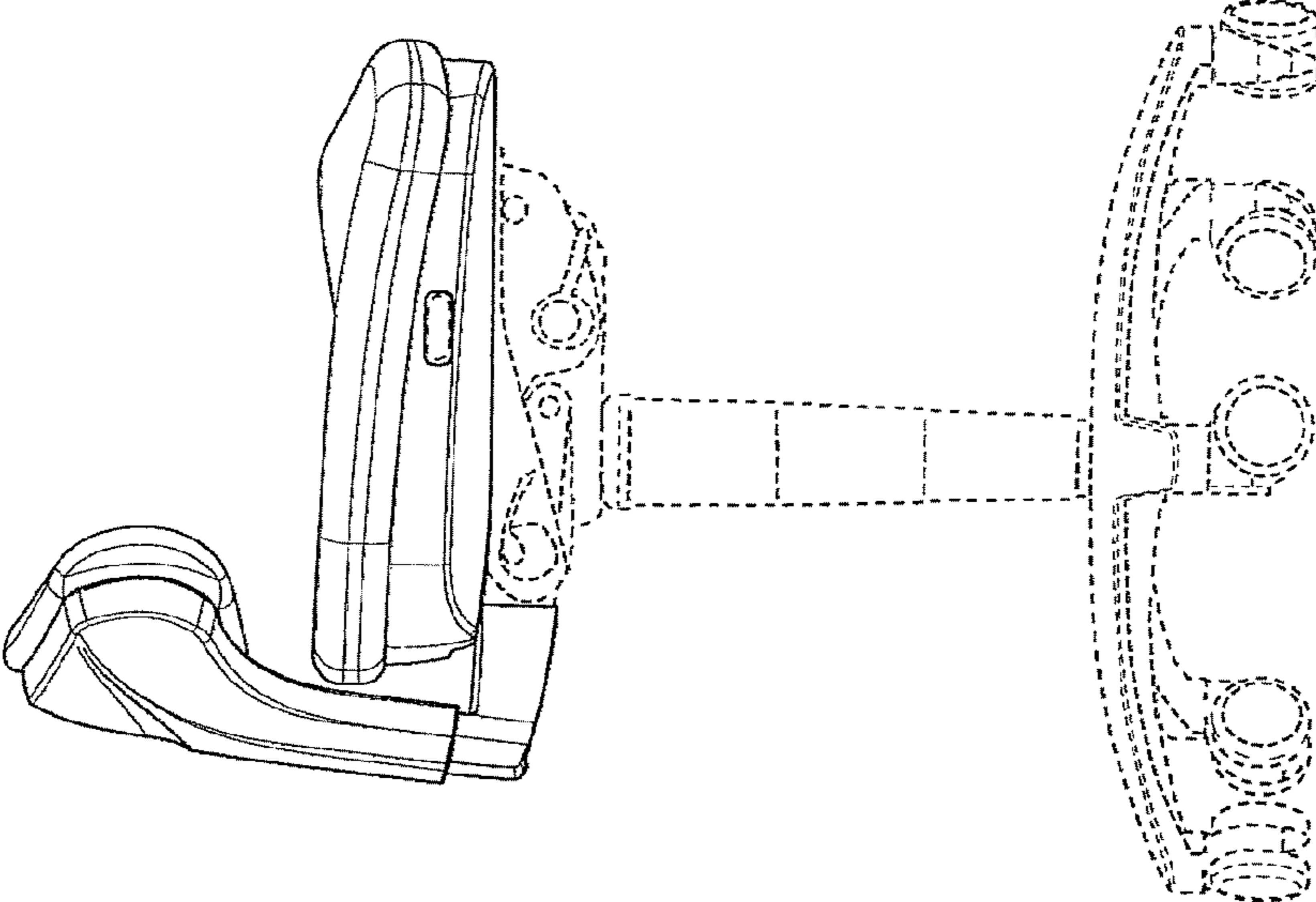


FIG. 5

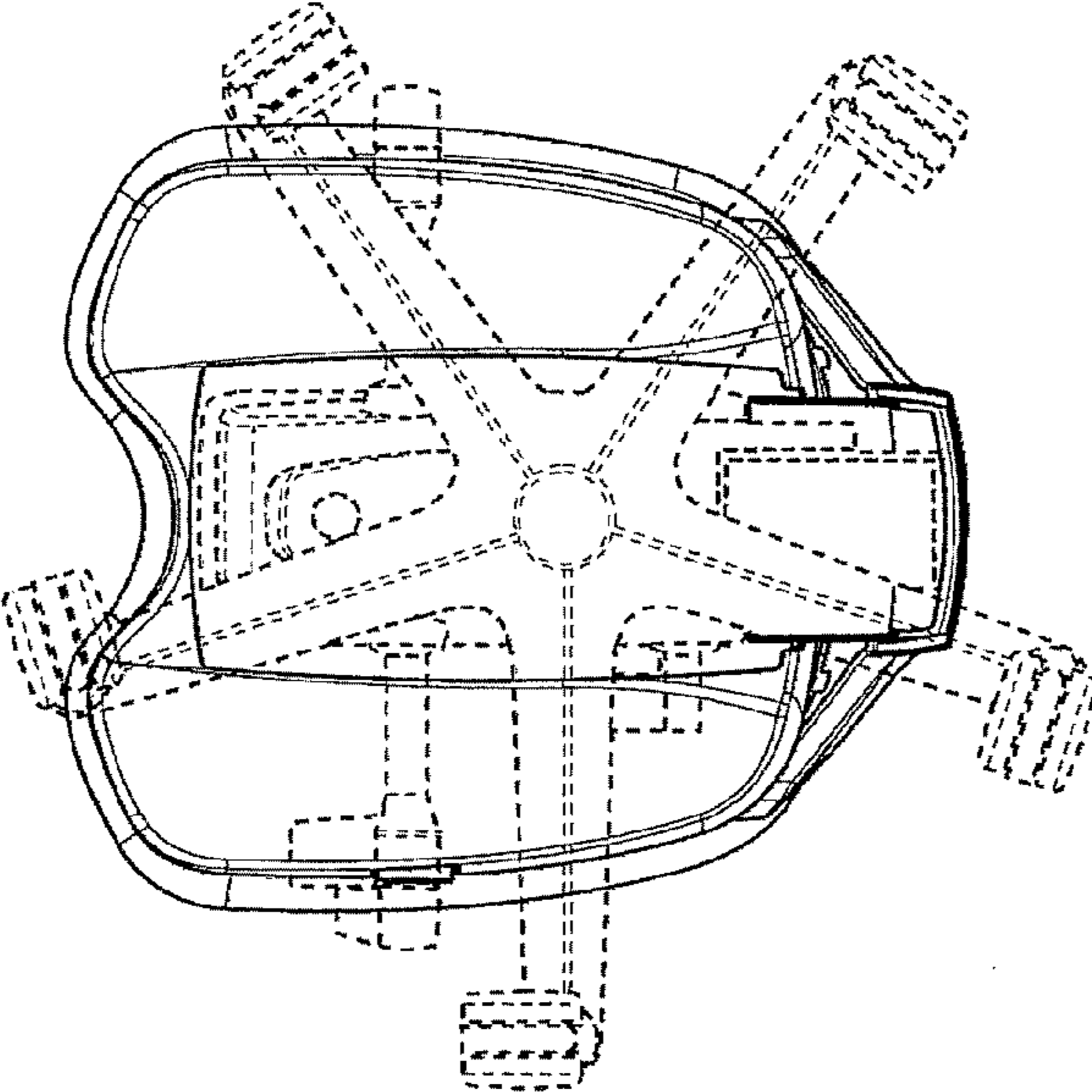


FIG. 7

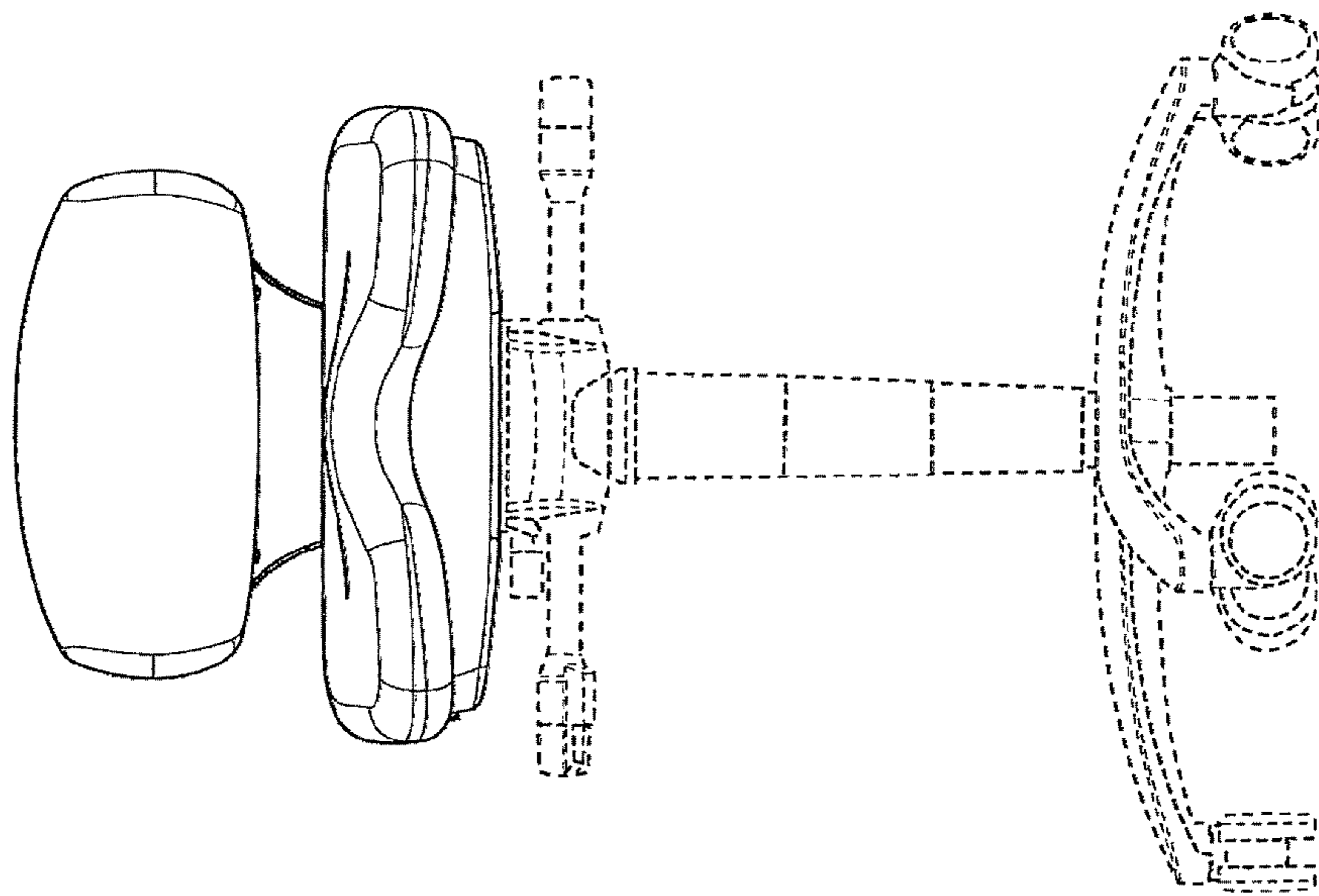


FIG. 8

