



US00D767927S

(12) **United States Design Patent** (10) **Patent No.:** **US D767,927 S**
Mahan-Rudolph et al. (45) **Date of Patent:** **** Oct. 4, 2016**

(54) **CHAIR BASE**
(71) Applicant: **KIMBALL INTERNATIONAL, INC.**,
Jasper, IN (US)
(72) Inventors: **Sasha Mahan-Rudolph**, Dallas, TX
(US); **Derek Schweikarth**, Celestine,
IN (US)
(73) Assignee: **Kimball International, Inc.**, Jasper, IN
(US)

3,601,443 A 8/1971 Jones
3,771,226 A 11/1973 Lieb et al.
D230,669 S 3/1974 Hendrickson et al.
3,814,474 A 6/1974 Baker et al.
4,136,908 A 1/1979 Crayne
4,203,624 A 5/1980 Hopkins
D261,577 S 11/1981 Heritage
D261,578 S 11/1981 Heritage
5,169,210 A 12/1992 Fricano
D362,144 S * 9/1995 Tosoni D6/716

(Continued)

(**) Term: **15 Years**

FOREIGN PATENT DOCUMENTS

(21) Appl. No.: **29/527,857**

CN 201968154 9/2011
CN 202014837 10/2011

(Continued)

(22) Filed: **May 22, 2015**

(51) **LOC (10) Cl.** **06-01**

(52) **U.S. Cl.**
USPC **D6/708**

(58) **Field of Classification Search**
USPC D6/334, 336, 338, 341, 342, 349, 350,
D6/352, 353, 360, 364, 375, 708, 708.16,
D6/708.17, 708.21, 707.2, 716, 716.1,
D6/716.6
CPC A47C 9/00; A47C 9/02; A47C 9/002;
A47C 9/007; A47C 9/025; A47C 9/10;
A47C 11/00; A47C 12/00; A47C 13/00;
A47C 5/02; A47C 5/04; A47C 5/043; A47C
7/00-7/006; A47C 7/02; A47C 16/02-16/04
See application file for complete search history.

OTHER PUBLICATIONS

Seating. Essay. [online] Retrieved Jun. 21, 2016 from URL:
<<https://www.nationalofficefurniture.com/products/seating/essay>>.
*

Primary Examiner — Vy Koenig
(74) *Attorney, Agent, or Firm* — Faegre Baker Daniels
LLP

(57) **CLAIM**
The ornamental design for a chair base, as shown and
described.

(56) **References Cited**

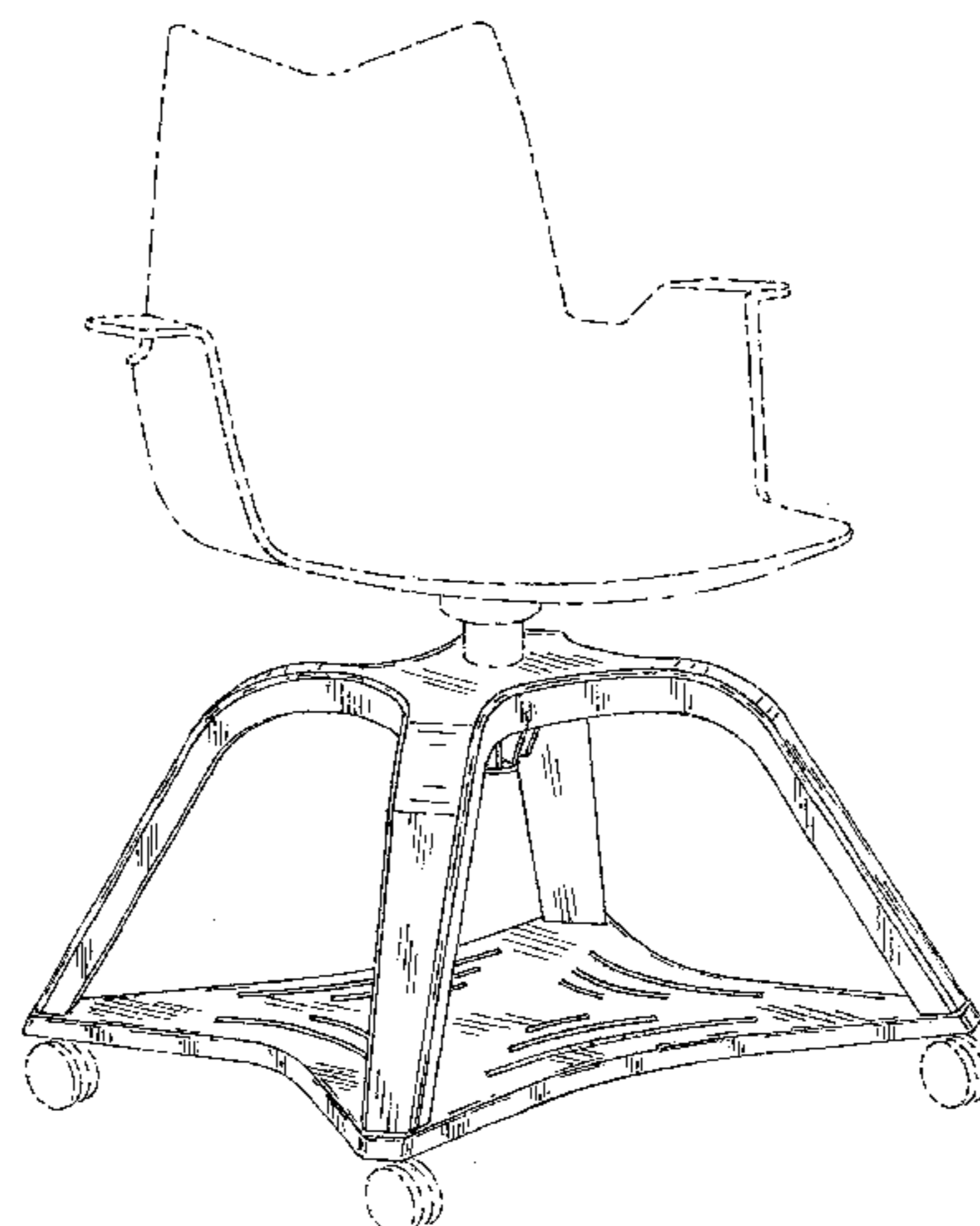
U.S. PATENT DOCUMENTS

564,044 A 7/1896 Berkemeyer
1,322,551 A 11/1919 Efaw
1,352,409 A 9/1920 Hoefener
1,391,222 A 9/1921 Van Fleet
D181,945 S 1/1958 Saarinen
D183,416 S 8/1958 Bellmann
D197,283 S 1/1964 Williams
3,380,778 A 4/1968 Barecki
3,567,277 A 3/1971 Van Ryn

DESCRIPTION

FIG. 1 is a front perspective view of a chair base according
to our new design;
FIG. 2 is a front/rear/left side/right side view thereof, it
being understood that the front, rear, left side, and right side
views are identical; and,
FIG. 3 is a top view thereof.
Features shown in dashed lines form no part of the claimed
design.

1 Claim, 2 Drawing Sheets



US D767,927 S

Page 2

(56)

References Cited

U.S. PATENT DOCUMENTS

5,601,331 A 2/1997 Austin, Jr. et al.
5,954,393 A 9/1999 Perrin
6,422,646 B1 7/2002 McNally
6,669,282 B2 12/2003 Piretti
6,776,452 B2 8/2004 Onishi
D497,261 S 10/2004 Epp et al.
7,073,853 B2 7/2006 Onishi
D535,838 S * 1/2007 Ritch D6/366
7,370,910 B2 5/2008 Piretti
7,530,632 B2 5/2009 Kaloustian et al.
7,726,732 B1 6/2010 Keating
7,731,277 B2 6/2010 Weber et al.
D636,612 S 4/2011 Overthun et al.
D636,613 S 4/2011 Overthun et al.
D643,654 S * 8/2011 Piretti D6/341
D646,085 S 10/2011 Overthun et al.
D646,497 S 10/2011 Overthun et al.
D648,158 S 11/2011 Kubryk
D649,368 S 11/2011 Benden
D667,243 S 9/2012 Su
D674,615 S 1/2013 Blomstrom et al.
D679,517 S 4/2013 Corcorran et al.
D679,523 S 4/2013 Corcorran et al.
D679,524 S 4/2013 Corcorran et al.
D679,525 S 4/2013 Corcorran et al.
D679,923 S 4/2013 Corcorran et al.
D689,723 S 9/2013 Corcorran et al.
D690,143 S 9/2013 Corcorran et al.
D690,545 S 10/2013 Blomstrom et al.
D694,054 S 11/2013 Blomstrom et al.
D697,725 S * 1/2014 Wu D6/338

D701,717 S * 4/2014 Whiteside D6/708
8,696,056 B2 4/2014 Corcorran et al.
D729,529 S * 5/2015 Robins D6/338
D729,530 S * 5/2015 Robins D6/338
D729,561 S * 5/2015 Robins D6/708
D729,564 S * 5/2015 Robins D6/716
D738,657 S * 9/2015 Robins D6/375
2005/0140187 A1 6/2005 Kordecki
2005/0284920 A1 12/2005 Martin et al.
2007/0267902 A1 11/2007 Hill et al.
2008/0231091 A1 9/2008 Goranson
2011/0187164 A1 * 8/2011 Corcorran A47B 39/00
297/170
2012/0126587 A1 5/2012 Seo
2012/0267923 A1 10/2012 Bouche
2014/0097650 A1 4/2014 Corcorran et al.
2014/0210237 A1 7/2014 Corcorran et al.

FOREIGN PATENT DOCUMENTS

DE 299 07 084 9/1999
DE 201 02 904 8/2002
FR 2 837 682 10/2003
GB 2 358 792 8/2001
JP 2002058564 2/2002
JP 2002153354 5/2002
JP 2002300933 10/2002
JP 2003038295 2/2003
JP 2005230304 9/2005
JP 2010046397 3/2010
KR 2008046365 5/2008
NL 1014334 8/2001

* cited by examiner

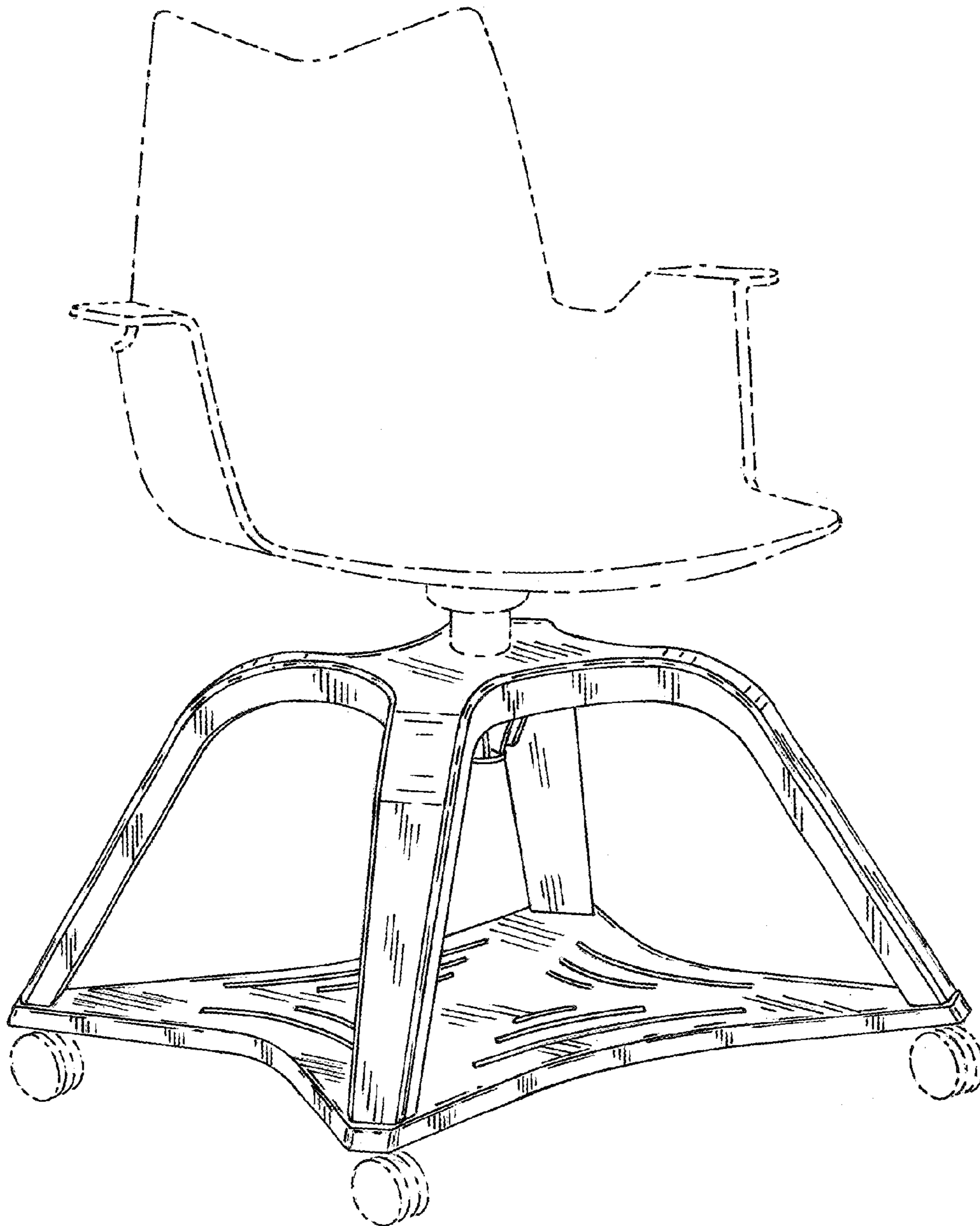


FIG. 1

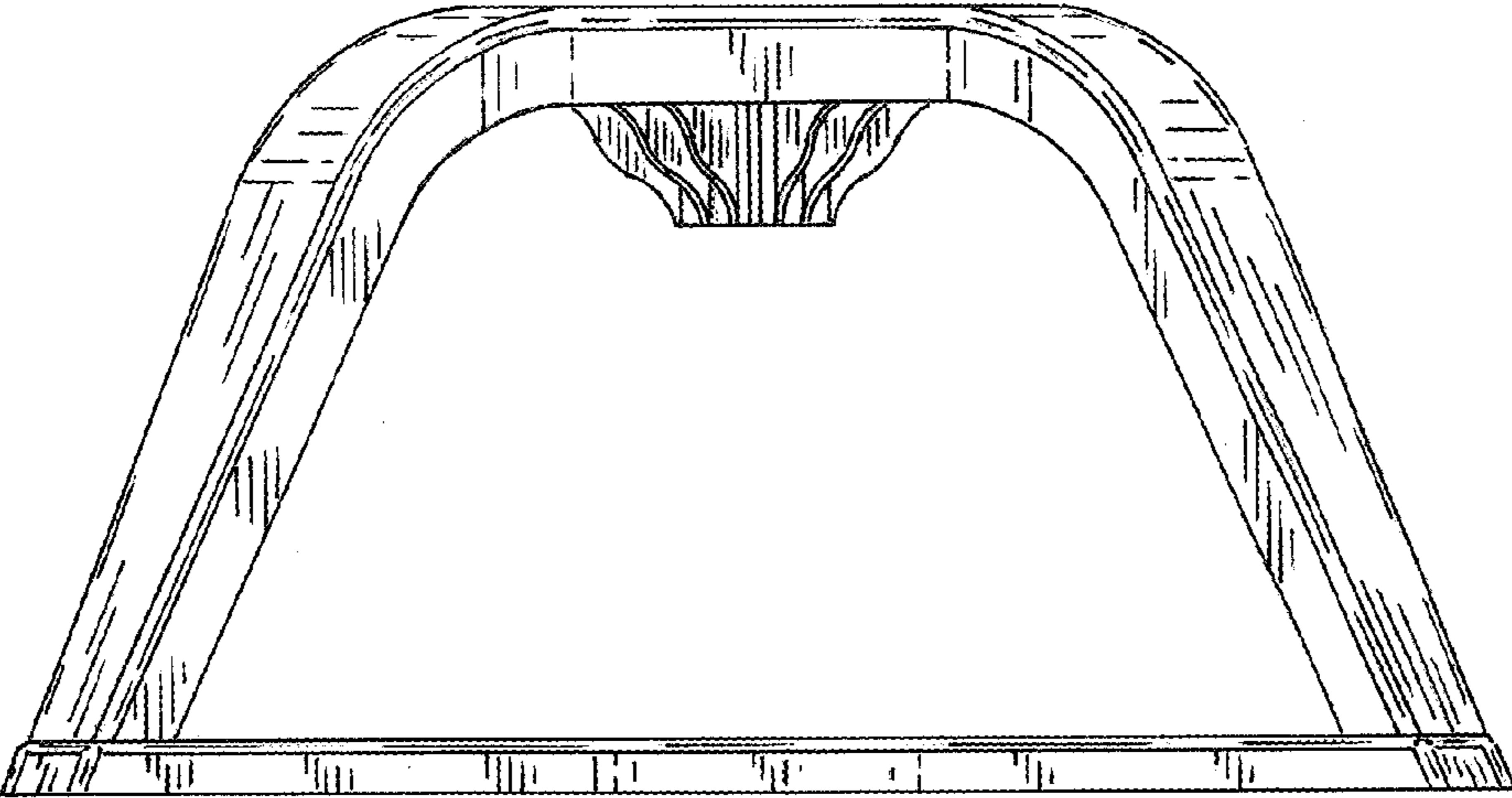


FIG. 2

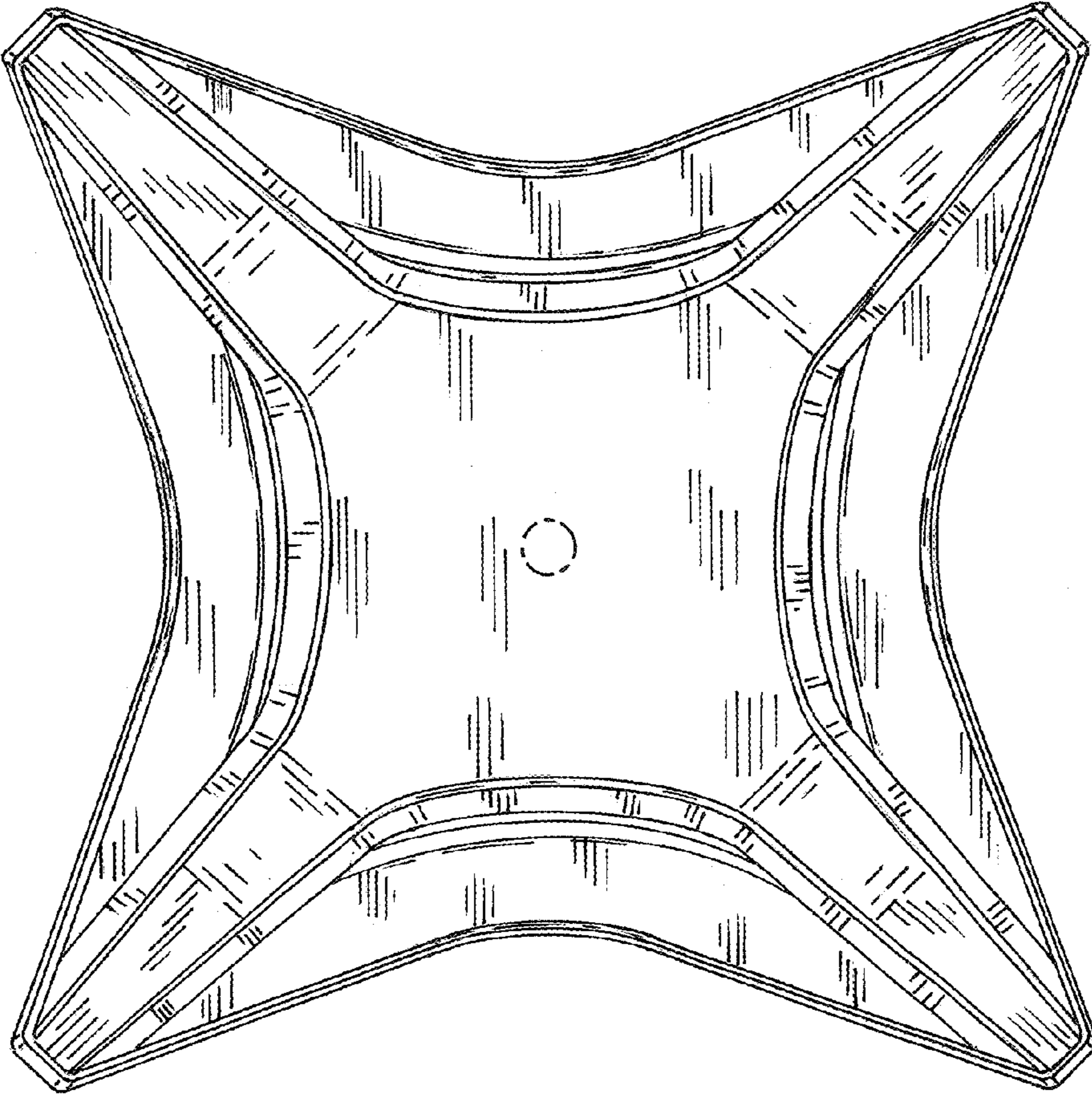


FIG. 3

UNITED STATES PATENT AND TRADEMARK OFFICE
CERTIFICATE OF CORRECTION

PATENT NO. : D767,927 S
APPLICATION NO. : 29/527857
DATED : October 4, 2016
INVENTOR(S) : Mahan-Rudolph et al.

Page 1 of 1

It is certified that error appears in the above-identified patent and that said Letters Patent is hereby corrected as shown below:

On the Title Page

(57) Claim, delete “deign” and insert --design--

Signed and Sealed this
Tenth Day of January, 2017



Michelle K. Lee
Director of the United States Patent and Trademark Office