

US00D767925S

(12) **United States Design Patent** (10) **Patent No.:** **US D767,925 S**
Blagmon, Jr. (45) **Date of Patent:** **** Oct. 4, 2016**

- (54) **TABLE**
- (71) Applicant: **Melvin Harold Blagmon, Jr.**, Fort Washington, MD (US)
- (72) Inventor: **Melvin Harold Blagmon, Jr.**, Fort Washington, MD (US)
- (**) Term: **14 Years**
- (21) Appl. No.: **29/523,599**
- (22) Filed: **Apr. 10, 2015**
- (51) **LOC (10) Cl.** **06-03**
- (52) **U.S. Cl.**
USPC **D6/693**
- (58) **Field of Classification Search**
USPC D6/685, 690, 693; 108/153.1, 156, 108/157.1, 150, 155, 161; 248/188, 188.1; D11/131, 132
CPC A47B 3/12; A47B 13/021; A47B 13/06; A47B 13/08; A47B 13/023
See application file for complete search history.

- 4,991,335 A * 2/1991 Krautsack G09F 7/22 40/539
- D323,257 S * 1/1992 Cornwell D11/131
- D456,181 S * 4/2002 Swensson D6/696.1
- D496,738 S * 9/2004 Sherman D25/115
- D545,241 S * 6/2007 Potet D11/132
- D545,242 S * 6/2007 Potet D11/132
- D585,670 S * 2/2009 Gharabegian D6/693
- D644,045 S * 8/2011 Oster D6/693
- D709,558 S * 7/2014 O'Brien D21/369
- D709,963 S * 7/2014 O'Brien D21/369

* cited by examiner

Primary Examiner — John Windmuller

Assistant Examiner — Steven Czyz

(74) *Attorney, Agent, or Firm* — Dunlap Bennett & Ludwig PLLC

(57) **CLAIM**

The ornamental design for a table, as shown and described.

DESCRIPTION

FIG. 1 is a front perspective view of a table;
 FIG. 2 is a front elevation view thereof;
 FIG. 3 is a rear elevation view thereof;
 FIG. 4 is a left side elevation view thereof;
 FIG. 5 is a right side elevation view thereof;
 FIG. 6 is a top plan view thereof; and,
 FIG. 7 is a bottom plan view thereof.

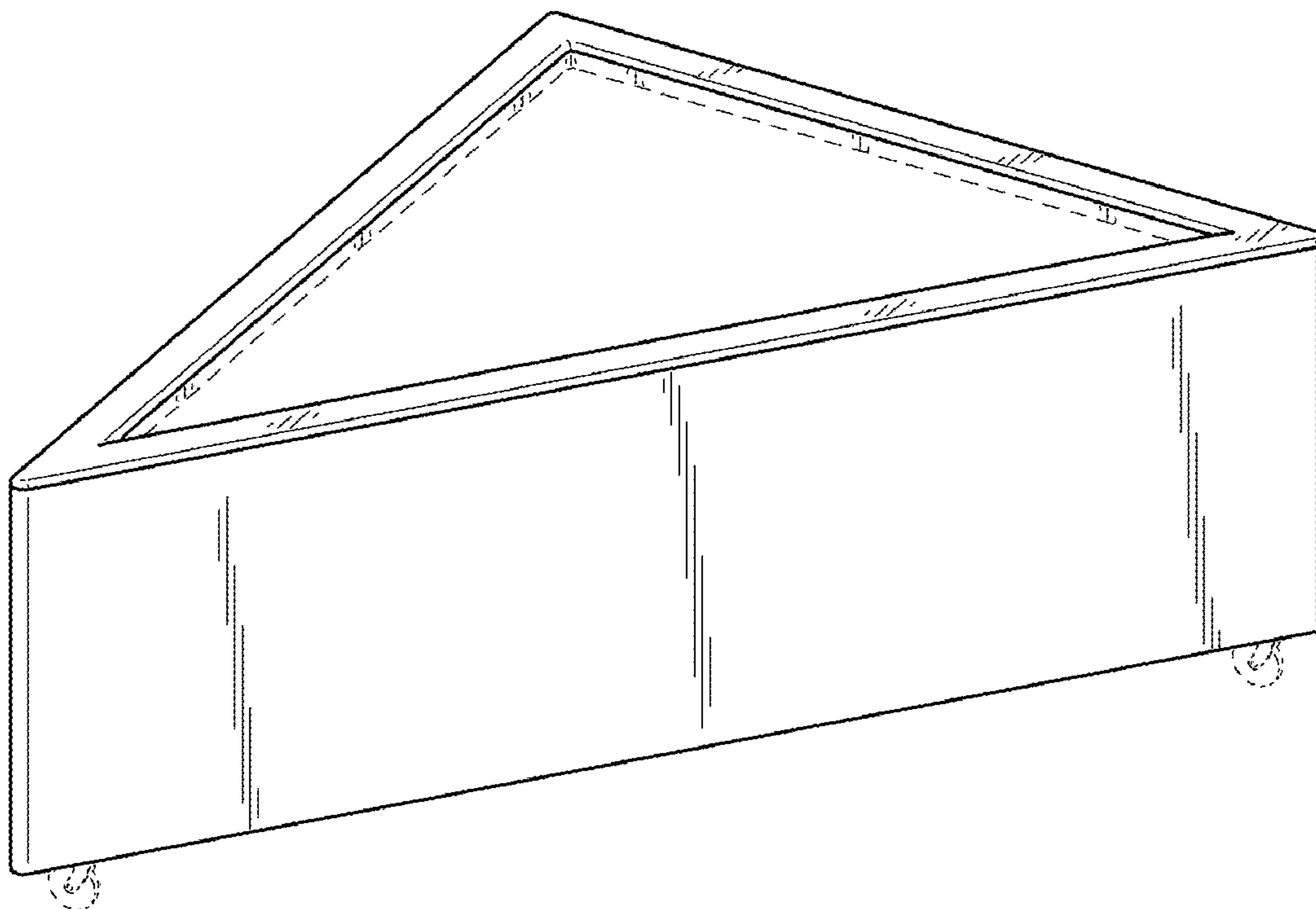
The broken lines shown in the drawings illustrate portions of the table that form no part of the claimed design.

1 Claim, 3 Drawing Sheets

(56) **References Cited**

U.S. PATENT DOCUMENTS

- D267,686 S * 1/1983 Dawson D11/131
- 4,515,370 A * 5/1985 Garcia A63F 3/00176 273/258
- D280,164 S * 8/1985 Berry, Jr. D6/693.1



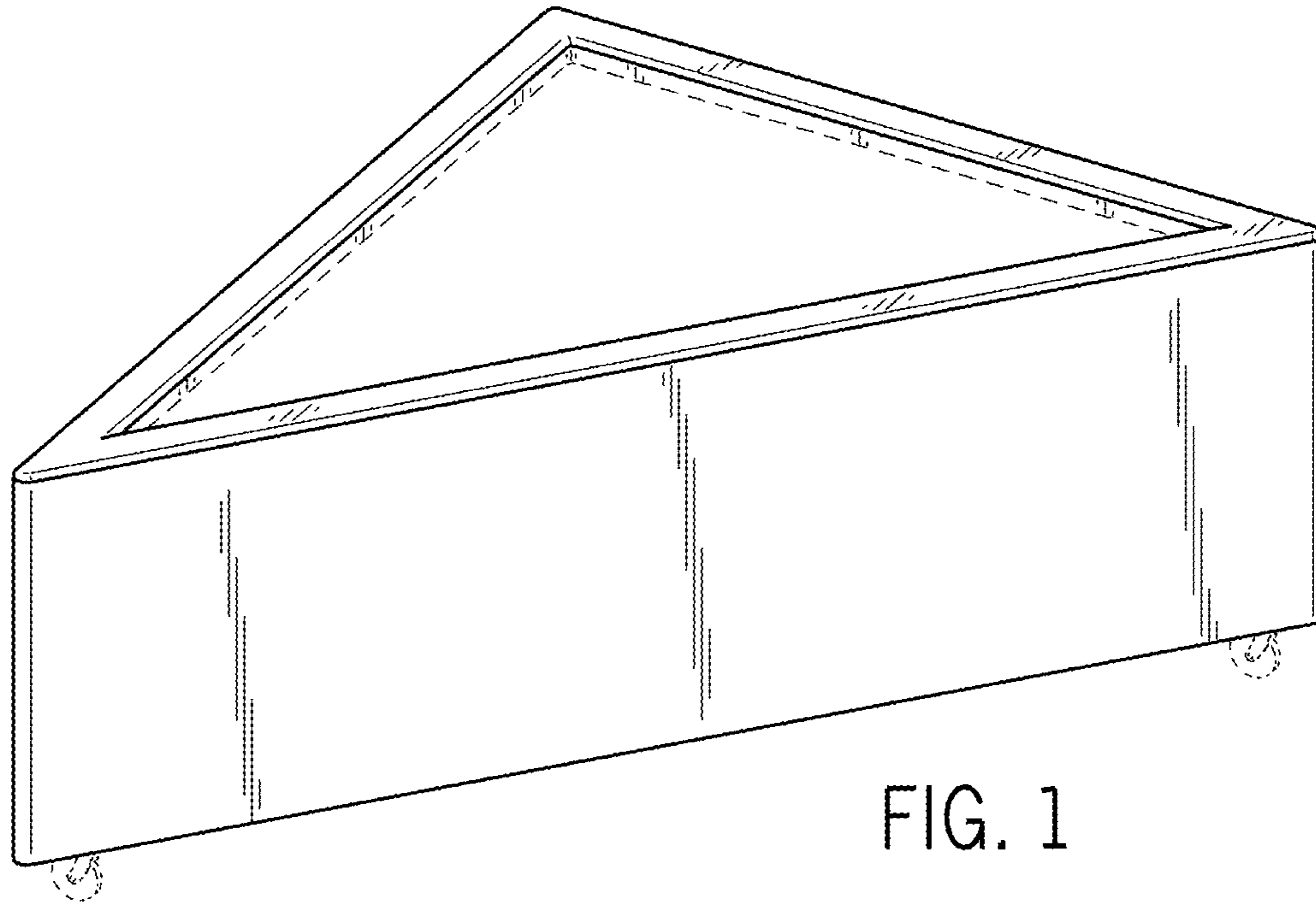


FIG. 1

FIG. 2

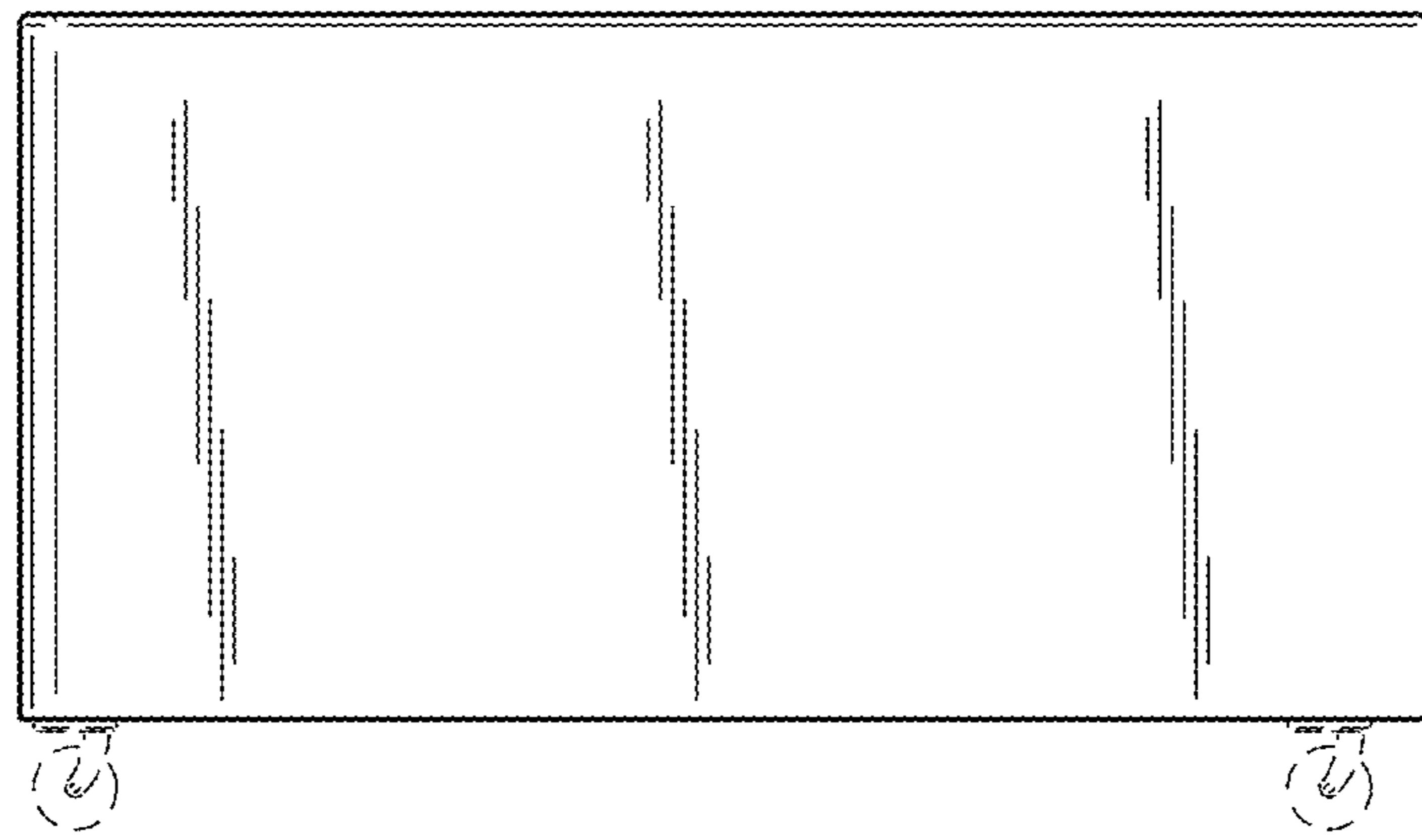
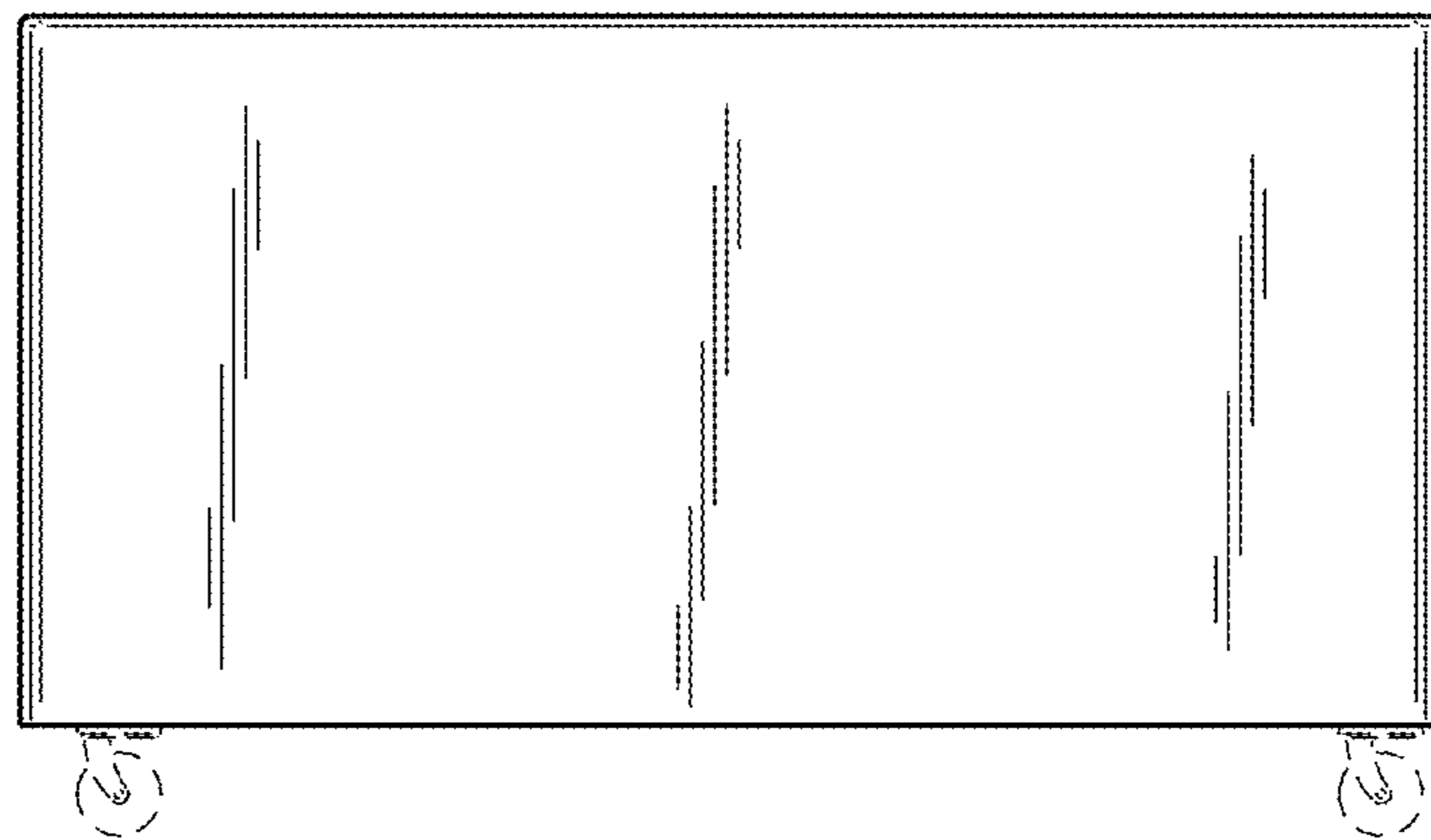


FIG. 3



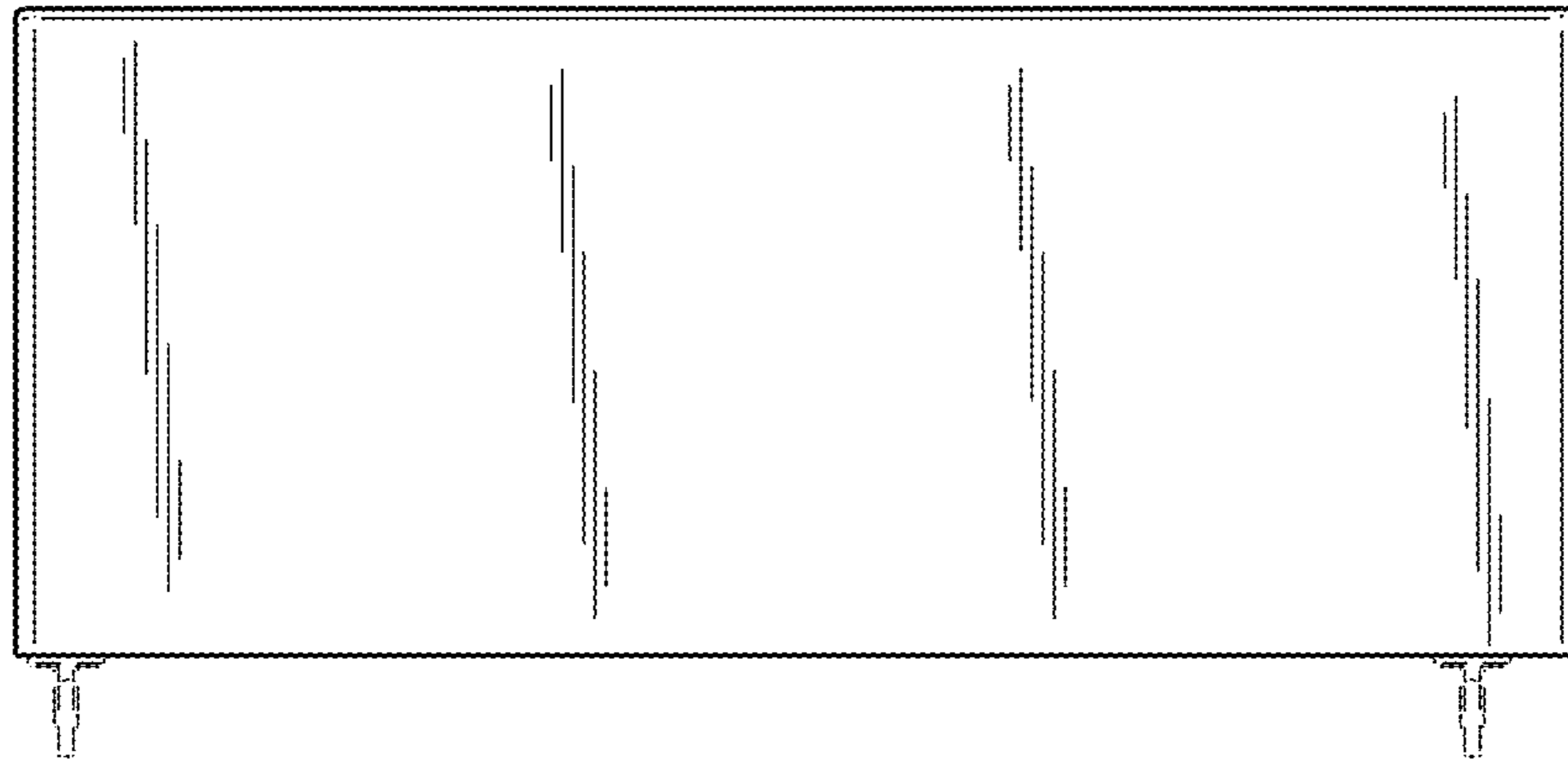


FIG. 4

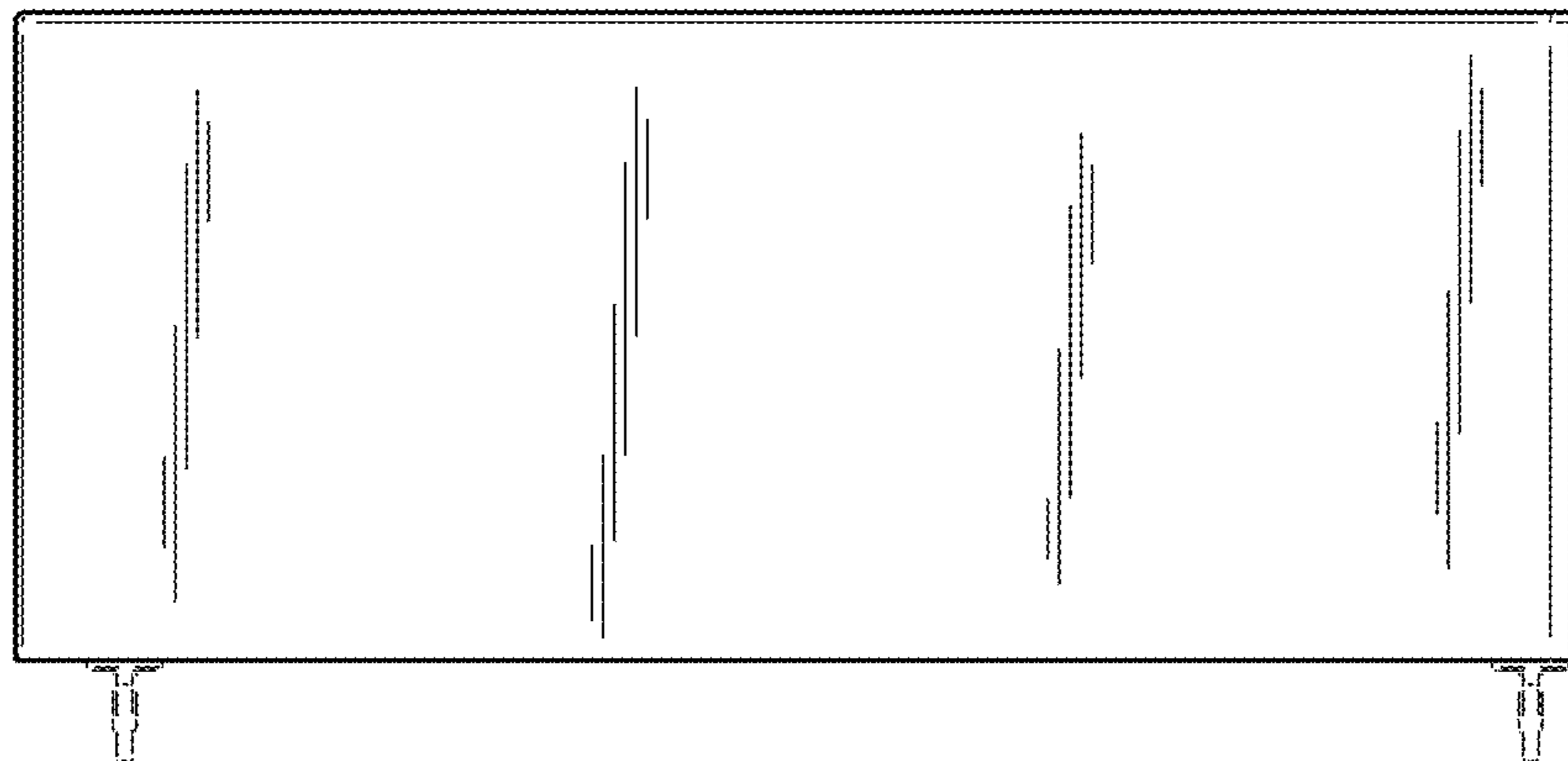


FIG. 5

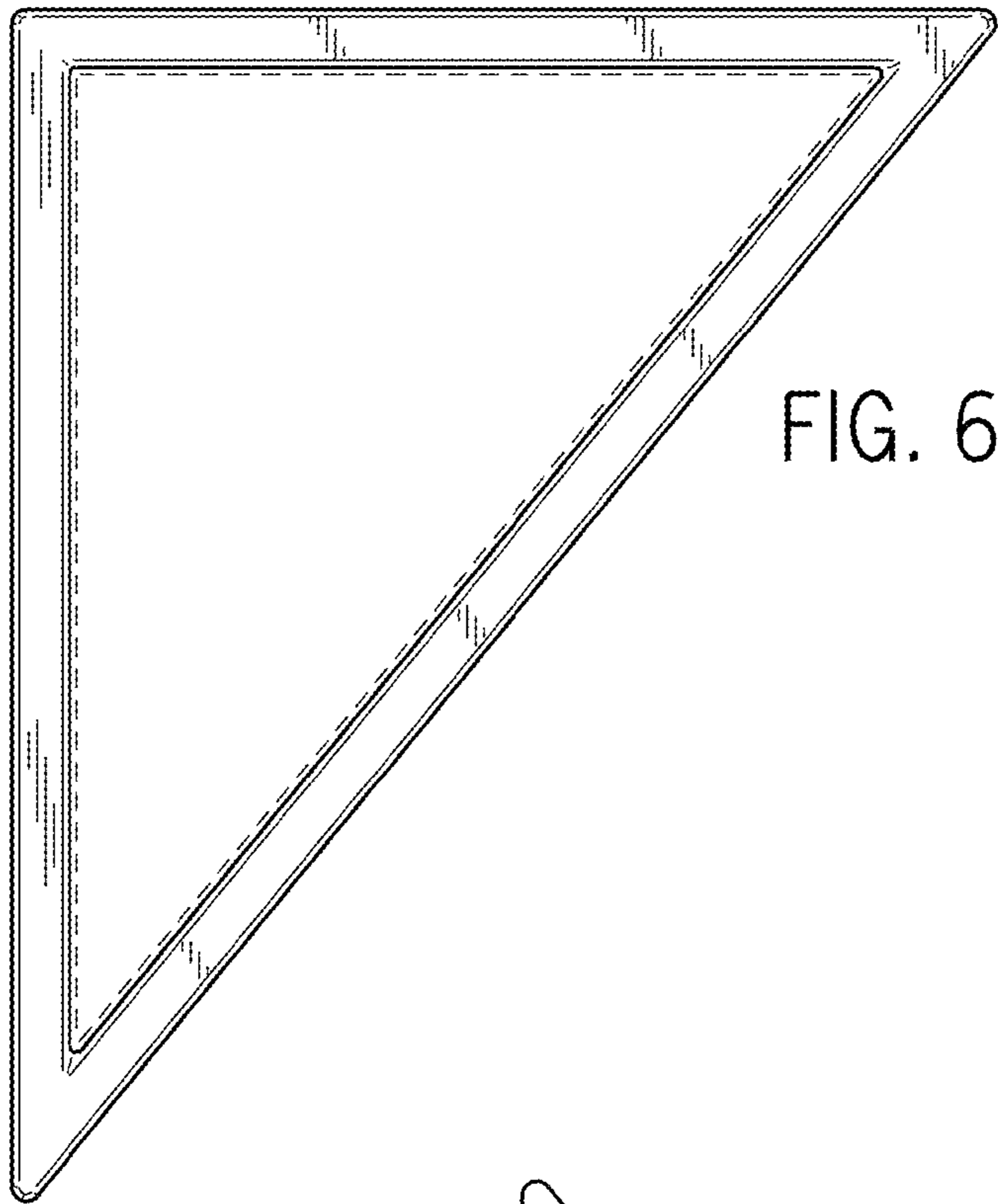


FIG. 6

FIG. 7

