



US00D767921S

(12) **United States Design Patent** (10) **Patent No.:** **US D767,921 S**  
**Burden** (45) **Date of Patent:** **\*\* Oct. 4, 2016**

- (54) **CABINET**
- (71) Applicant: **Ian James Burden**, Sovereign Islands (AU)
- (72) Inventor: **Ian James Burden**, Sovereign Islands (AU)
- (\*\*) Term: **15 Years**
- (21) Appl. No.: **29/526,823**
- (22) Filed: **May 13, 2015**
- (51) **LOC (10) Cl.** ..... **06-04**
- (52) **U.S. Cl.**  
USPC ..... **D6/671.1**
- (58) **Field of Classification Search**  
USPC ..... D6/663, 661, 664, 667, 671, 671.1, 671.2, 671.3, 671.4  
CPC ..... A47B 17/04; A47B 45/00; A47B 67/00; A47B 67/04; A47B 88/00; A47B 88/04; A47B 88/044  
See application file for complete search history.

D375,000 S *	10/1996	Paus	.....	D6/671.1
D500,929 S *	1/2005	Walker	.....	D6/671.1
D501,735 S *	2/2005	Katz	.....	D6/671.1
D562,597 S *	2/2008	Weatherly	.....	D6/671.1
D594,249 S *	6/2009	Newton	.....	D6/671.1
D623,442 S *	9/2010	Zambelli	.....	D6/661
D713,177 S *	9/2014	Litt	.....	D6/671.1
D720,562 S *	1/2015	Burden	.....	D6/671.1
D720,563 S *	1/2015	Burden	.....	D6/671.1

\* cited by examiner

*Primary Examiner* — Mimosa De  
(74) *Attorney, Agent, or Firm* — Dykema Gossett PLLC

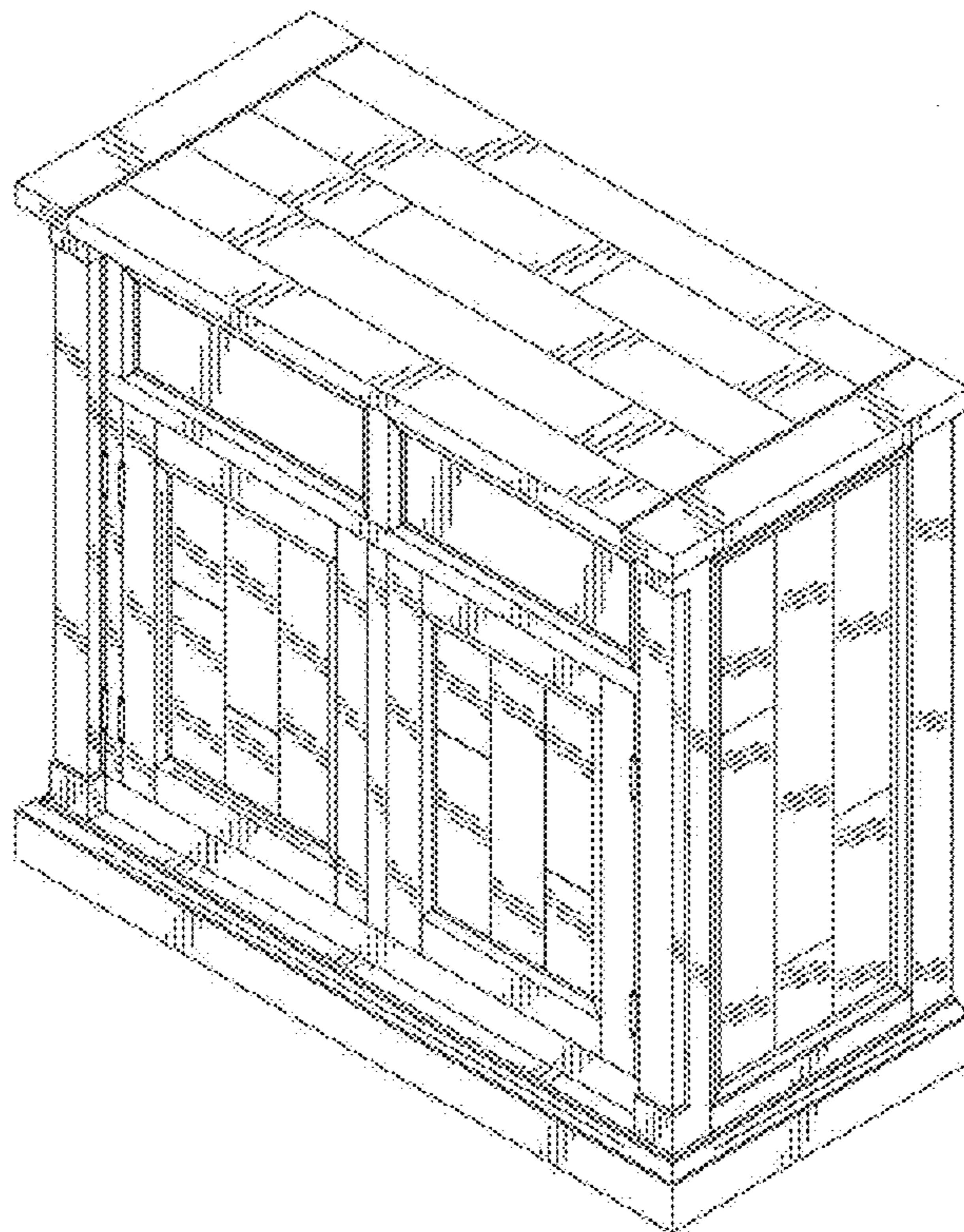
(57) **CLAIM**  
The ornamental design of a cabinet, as shown and described.

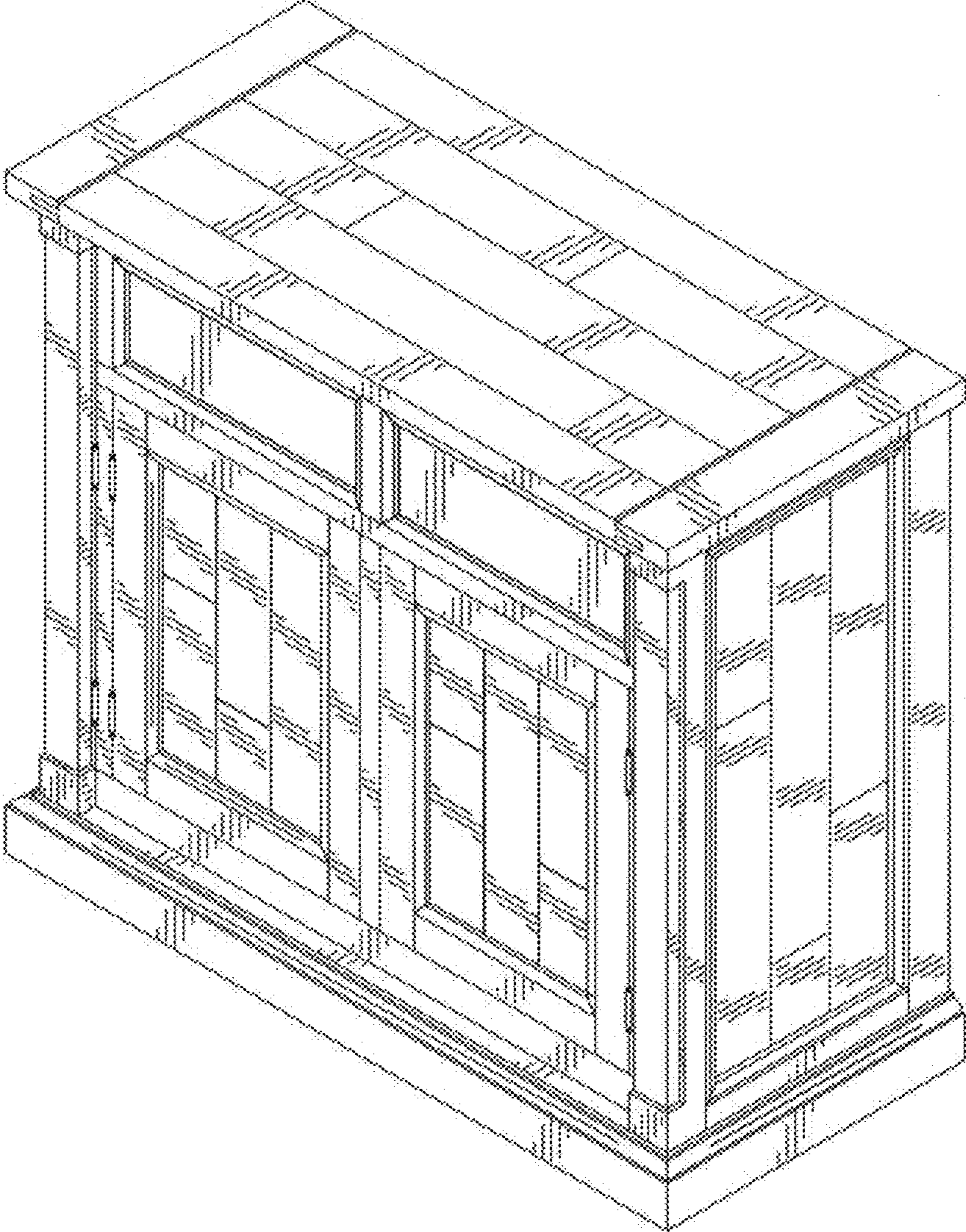
**DESCRIPTION**

FIG. 1 is a perspective front view of a cabinet showing my new and ornamental design,  
FIG. 2 is a first perspective rear view thereof,  
FIG. 3 is a second perspective rear view thereof,  
FIG. 4 is an elevational front view thereof,  
FIG. 5 is an elevational rear view thereof,  
FIG. 6 is an elevational left side view thereof,  
FIG. 7 is an elevational right side view thereof,  
FIG. 8 is a top plan view thereof; and,  
FIG. 9 is a bottom plan view thereof.  
The broken lines in FIGS. 4 and 9 illustrate portions of the cabinet which form no part of the claimed design.

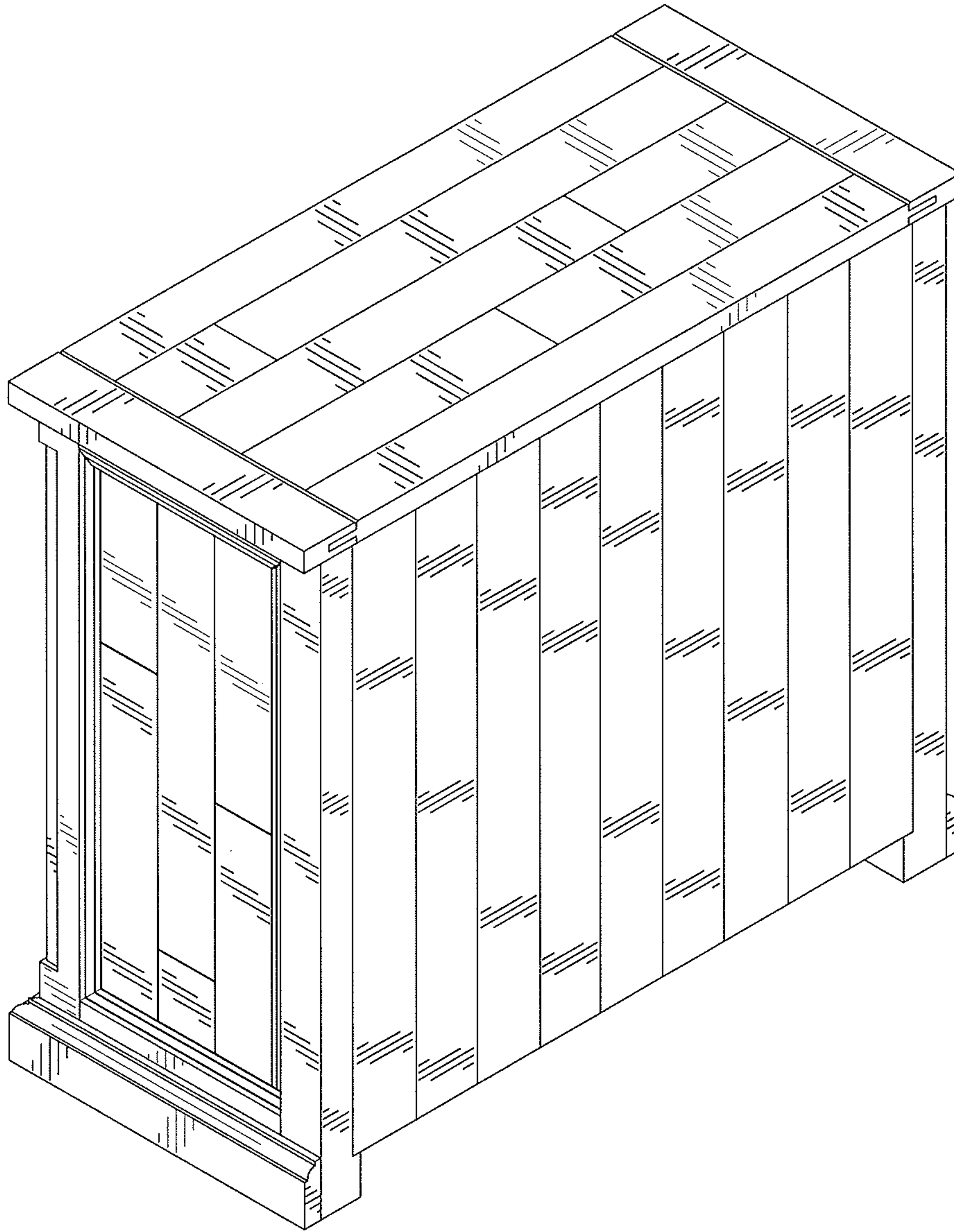
**1 Claim, 9 Drawing Sheets**

- (56) **References Cited**  
U.S. PATENT DOCUMENTS  
D224,769 S \* 9/1972 Richardson ..... D6/671.2  
D311,649 S \* 10/1990 Keller ..... D6/671  
D321,571 S \* 11/1991 Lucariello ..... D6/663

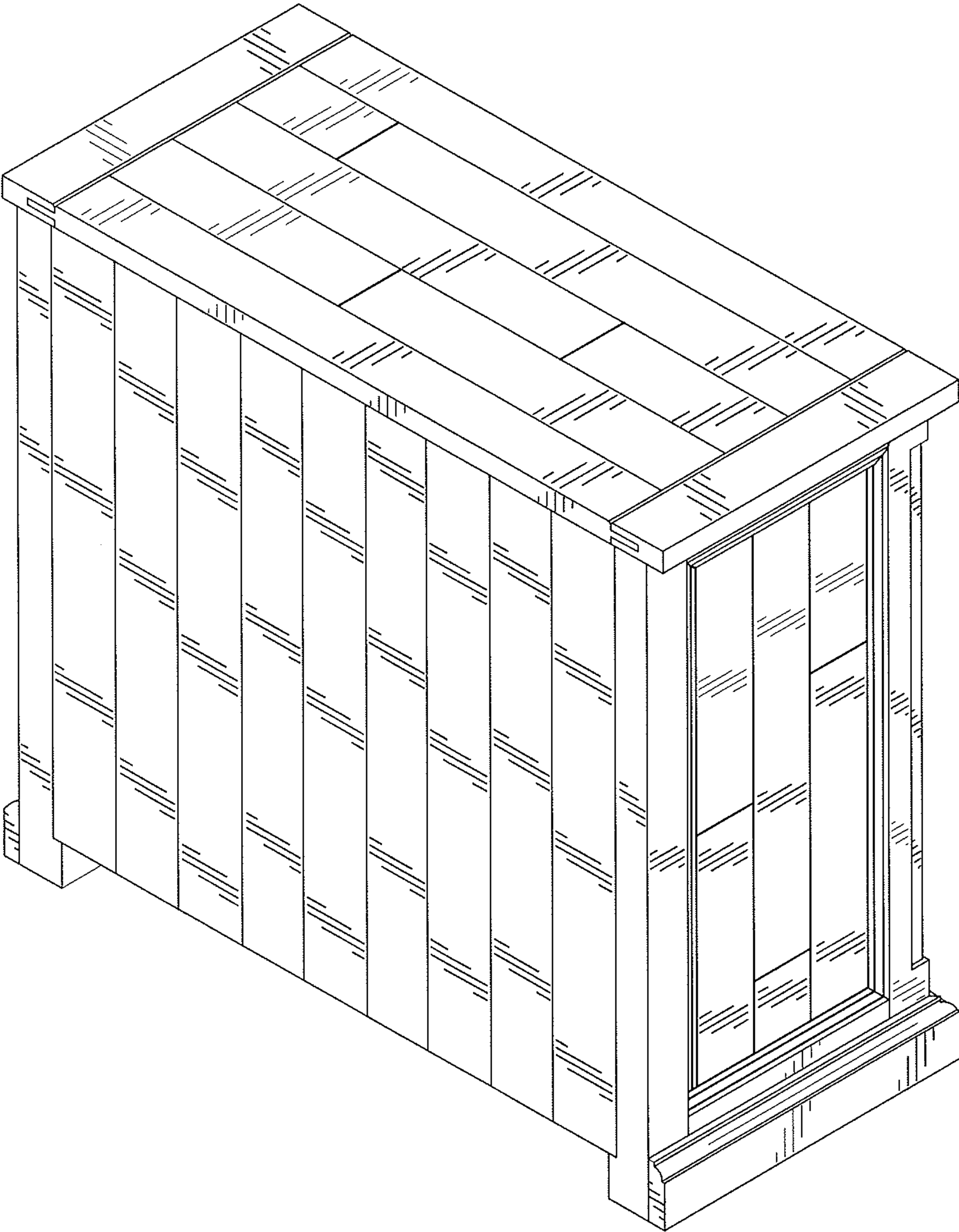




**FIG. 1**



**FIG. 2**



**FIG. 3**

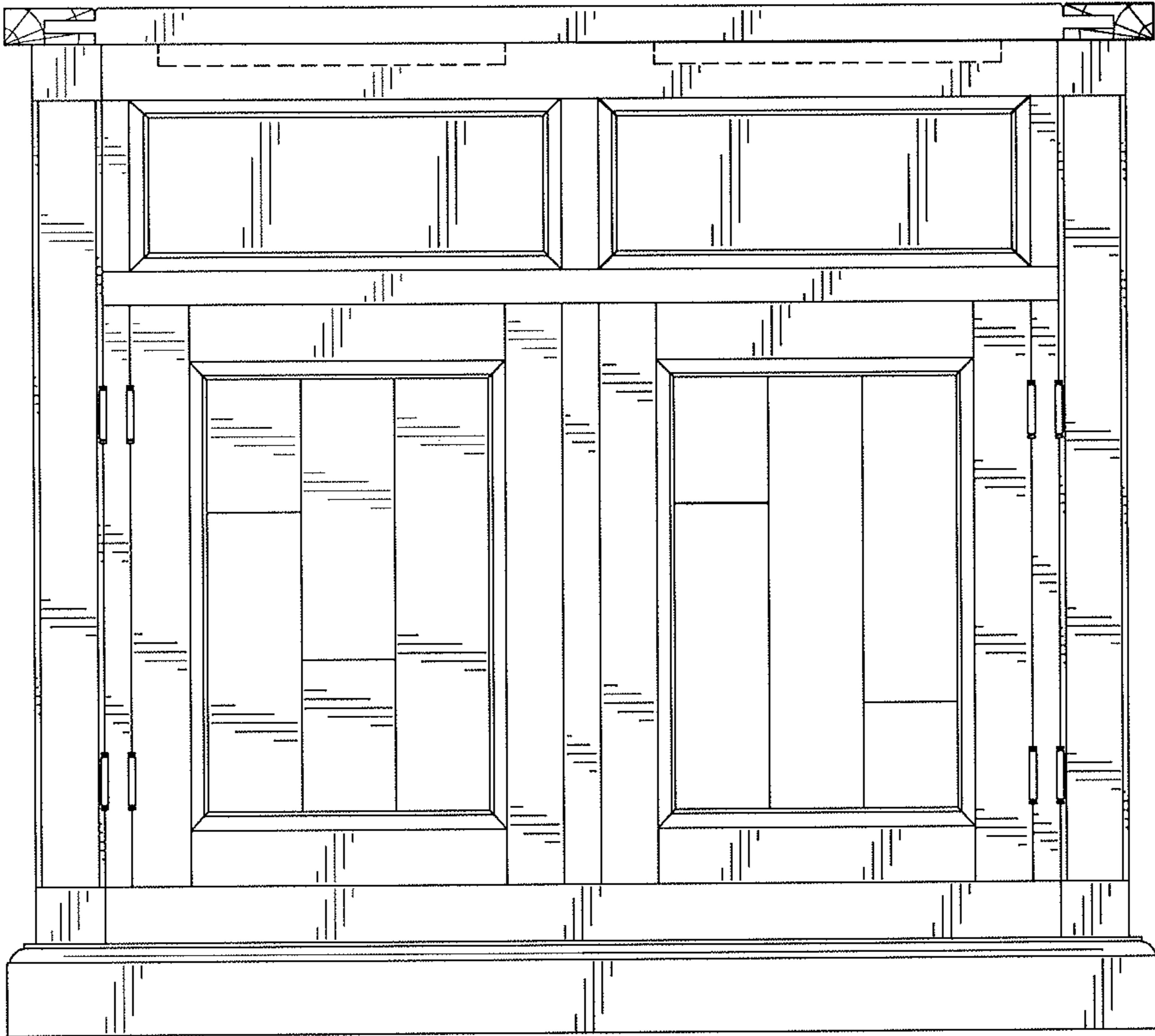
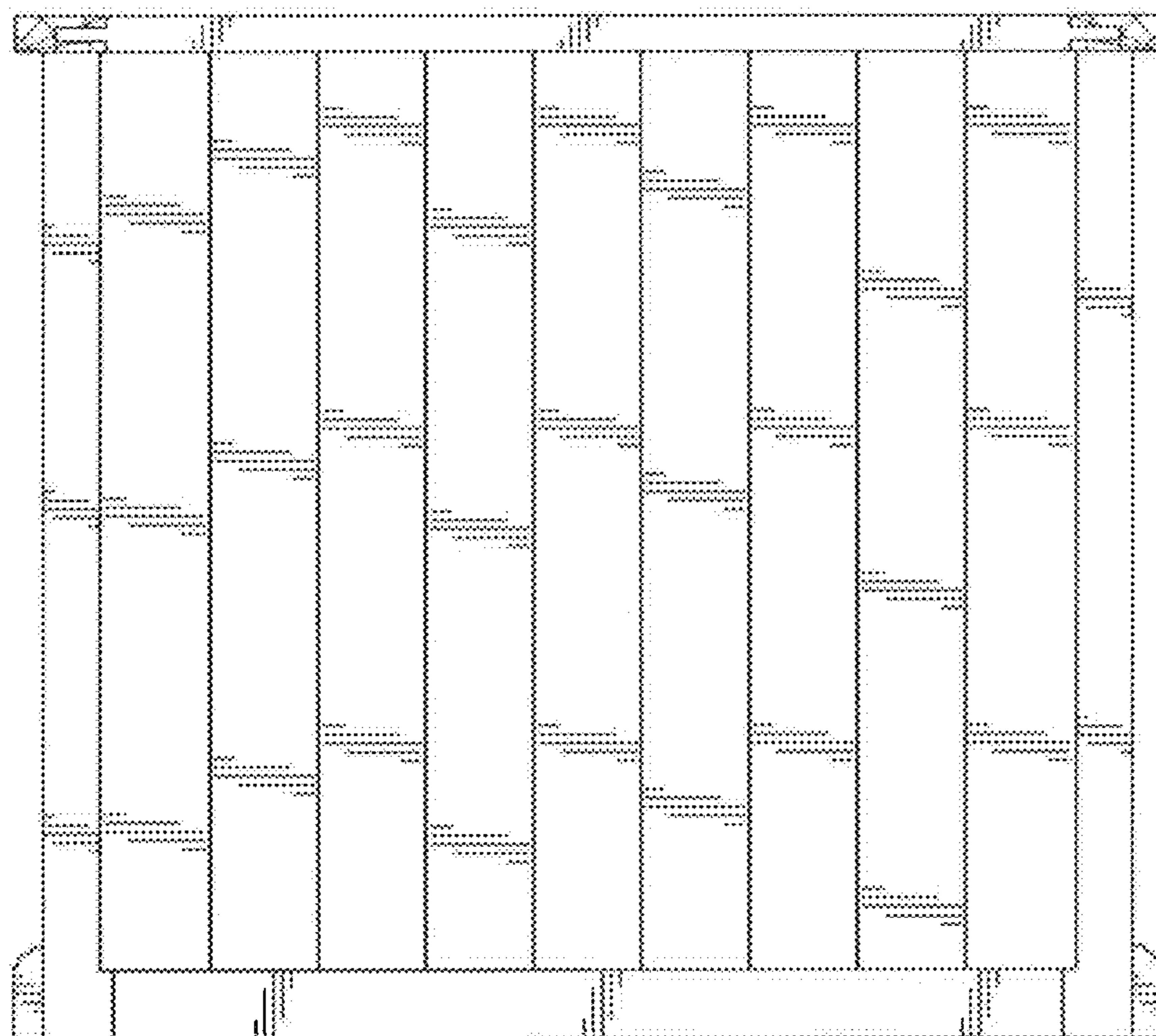
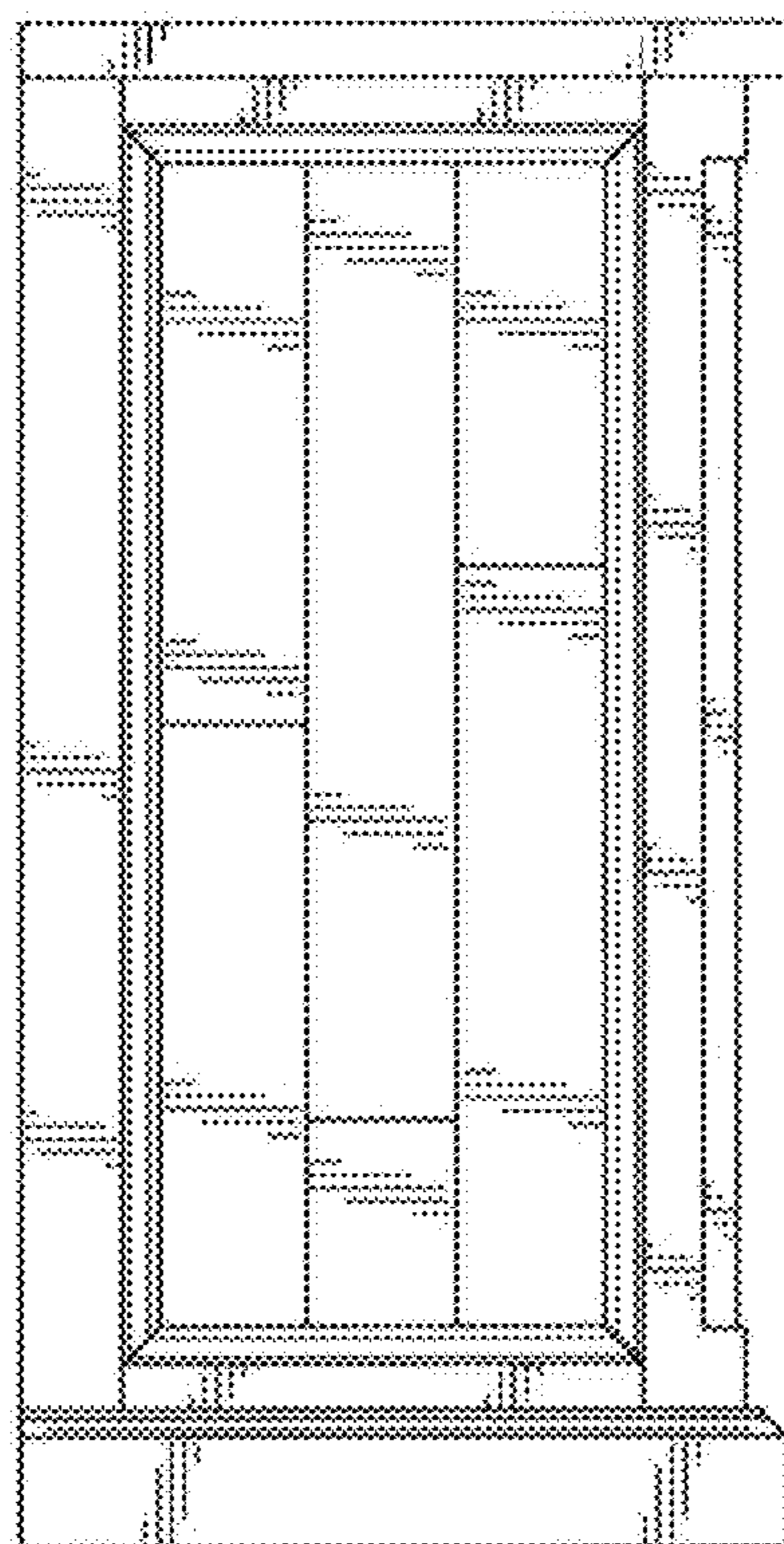


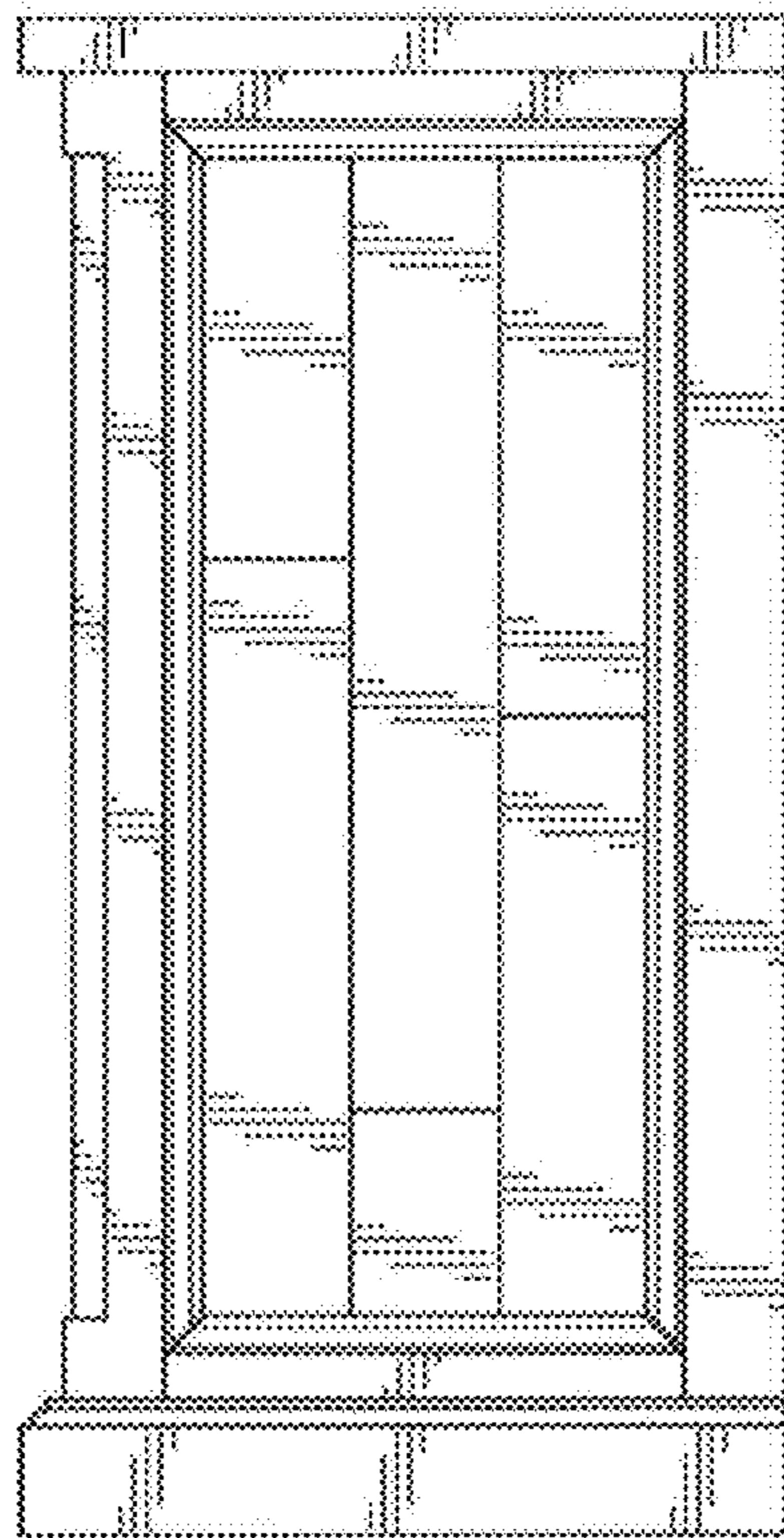
FIG. 4



**FIG. 5**

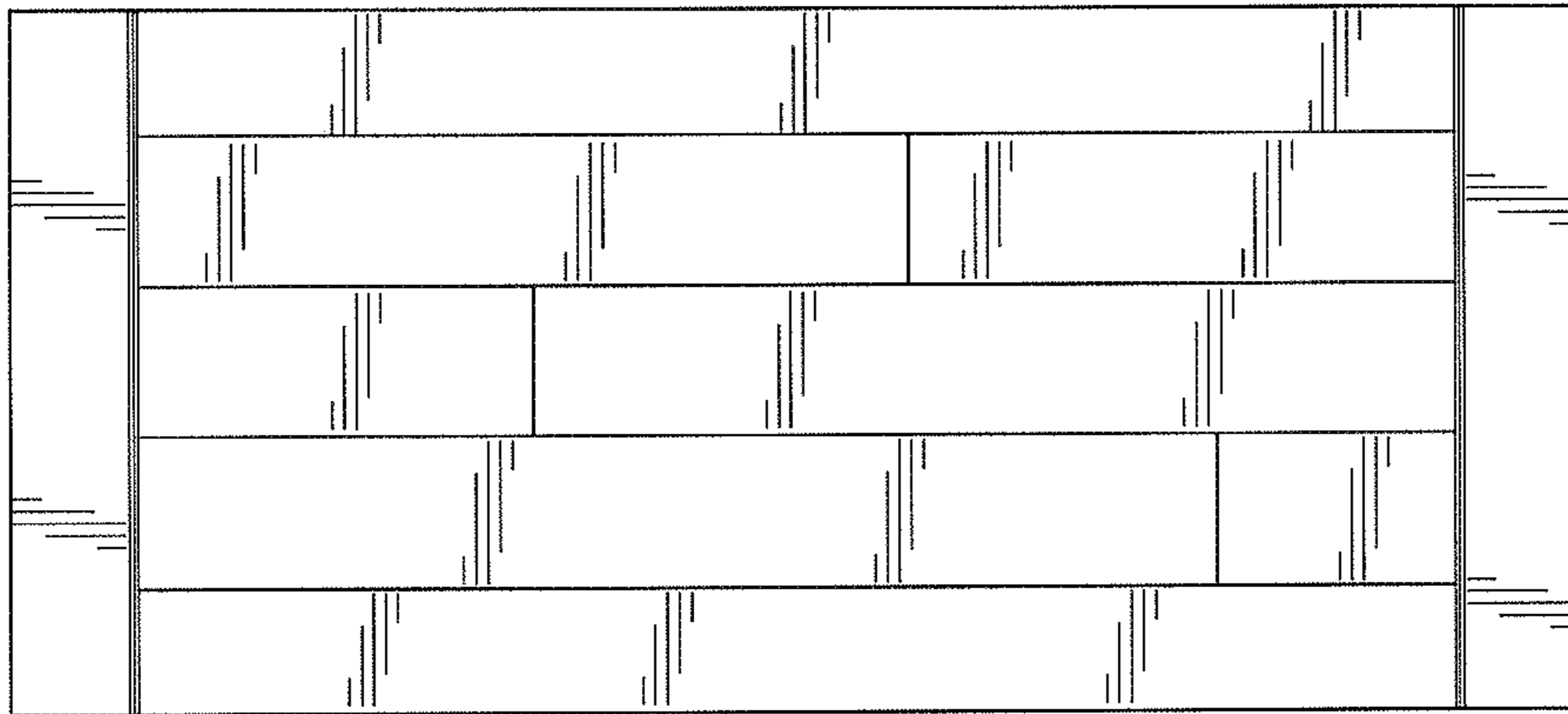


**FIG. 6**

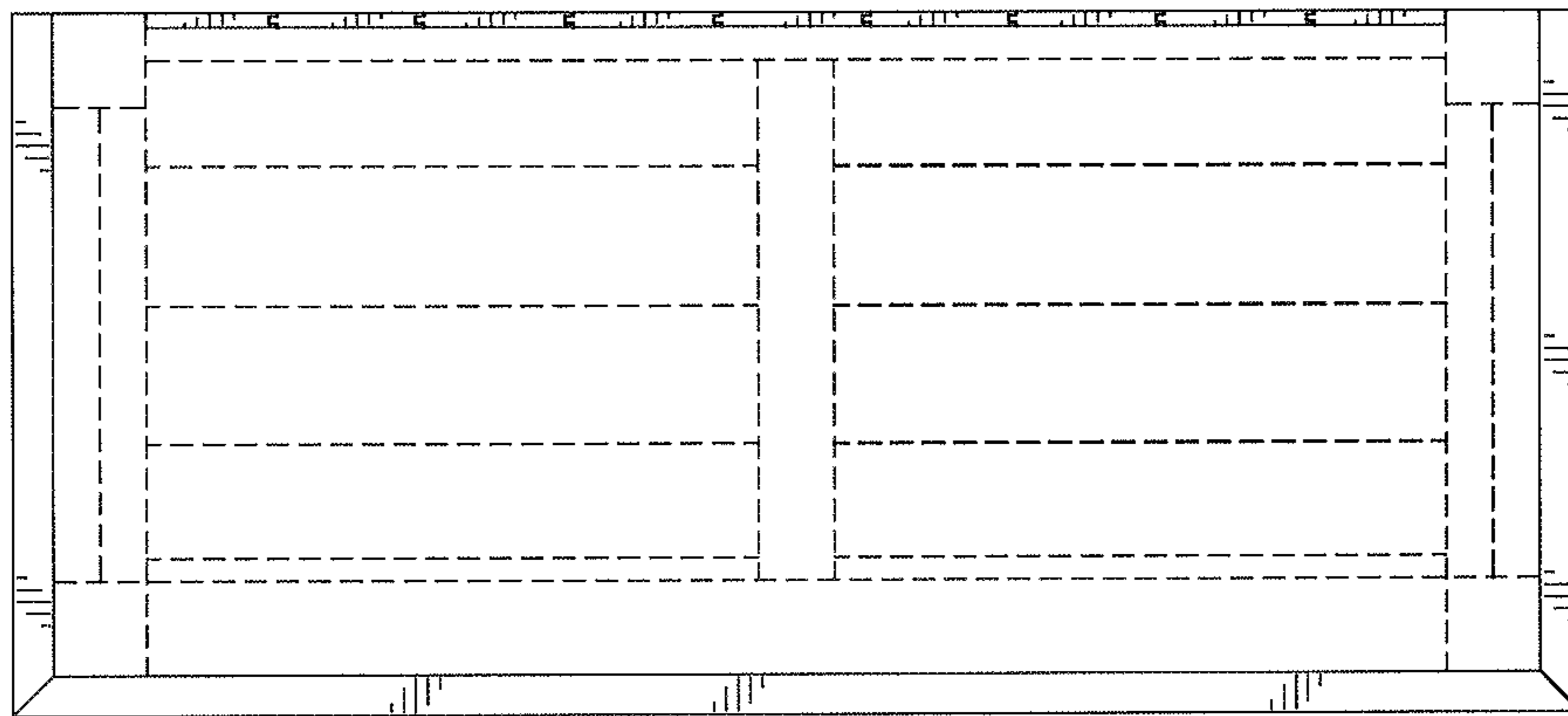


**FIG. 7**





**FIG. 8**



**FIG. 9**

UNITED STATES PATENT AND TRADEMARK OFFICE  
**CERTIFICATE OF CORRECTION**

PATENT NO. : D767,921 S  
APPLICATION NO. : 29/526823  
DATED : October 4, 2016  
INVENTOR(S) : Burden

Page 1 of 1

It is certified that error appears in the above-identified patent and that said Letters Patent is hereby corrected as shown below:

On the Title Page

Insert:

--(30) Foreign Application Priority Data

Nov. 13, 2014 (AU) ..... 15819/2014--

Signed and Sealed this  
Eighteenth Day of April, 2017



Michelle K. Lee  
*Director of the United States Patent and Trademark Office*