



US00D767919S

(12) **United States Design Patent**
Wallace

(10) **Patent No.:** **US D767,919 S**
(45) **Date of Patent:** **** Oct. 4, 2016**

(54) **HEADPHONE PILLOW SLIP COVER**

(71) Applicant: **Thomas William Wallace**, Willsonville,
OR (US)

(72) Inventor: **Thomas William Wallace**, Willsonville,
OR (US)

(**) Term: **15 Years**

(21) Appl. No.: **29/540,057**

(22) Filed: **Sep. 21, 2015**

(51) **LOC (10) Cl.** **06-09**

(52) **U.S. Cl.**
USPC **D6/601**

(58) **Field of Classification Search**

USPC D6/582-583, 587-592, 595-609,
D6/617-622; D21/803-809; D24/183
CPC A47G 9/00; A47G 2009/001; A47G
2009/002; A47G 2009/003; A47G 9/10;
A47G 9/1009; A47G 2009/1018; A47G
9/1045; A47G 9/1081; A47G 9/109
See application file for complete search history.

(56) **References Cited**

U.S. PATENT DOCUMENTS

D517,698 S * 3/2006 Savage D24/200
D581,713 S * 12/2008 Berke D6/601
D629,241 S * 12/2010 Romero D6/601
D643,125 S * 8/2011 Seidel D24/184
D651,841 S * 1/2012 Nayman D6/601
D725,120 S * 3/2015 Lo D14/447
D747,899 S * 1/2016 Klein D6/601

2007/0056107 A1* 3/2007 Gabriel A47C 7/383
5/639
2007/0253591 A1* 11/2007 Popilek A47G 9/1045
381/388
2013/0263377 A1* 10/2013 Wootten, Jr. A47C 23/00
5/640
2015/0351564 A1* 12/2015 Vogel A47G 9/1081
5/640

* cited by examiner

Primary Examiner — Mary Ann Calabrese

Assistant Examiner — Jennifer L Rempfer

(74) *Attorney, Agent, or Firm* — Mark S Hubert

(57) **CLAIM**

I claim the ornamental design for the headphone pillow slip cover, as shown and described.

DESCRIPTION

FIG. 1 is a rear perspective view of the headphone pillow in use;

FIG. 2 is a top view of the headphone pillow slip cover;

FIG. 3 is a left-side view of the headphone pillow slip cover;

FIG. 4 is a front view of the headphone pillow slip cover;

FIG. 5 is a rear view of the headphone pillow slip cover;

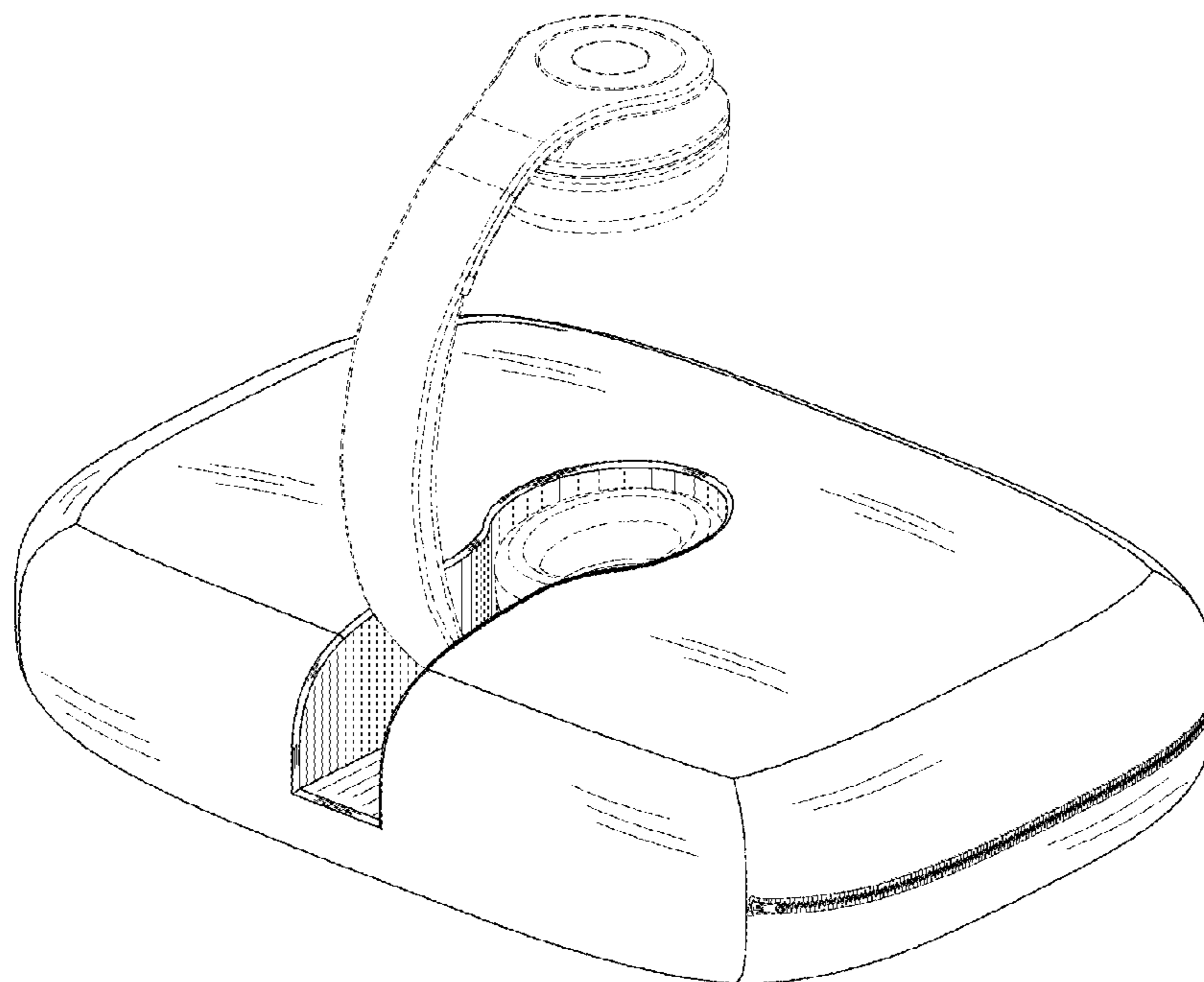
FIG. 6 is a bottom view of the headphone pillow slip cover;

and,

FIG. 7 is a front view of the headphone pillow slip cover.

The broken line illustration of environmental structure in the drawing is not part of the design sought to be patented. As such, the over the ear stereo headphones are shown in broken lines for illustrative purposes only and forms no part of the claimed design.

1 Claim, 3 Drawing Sheets



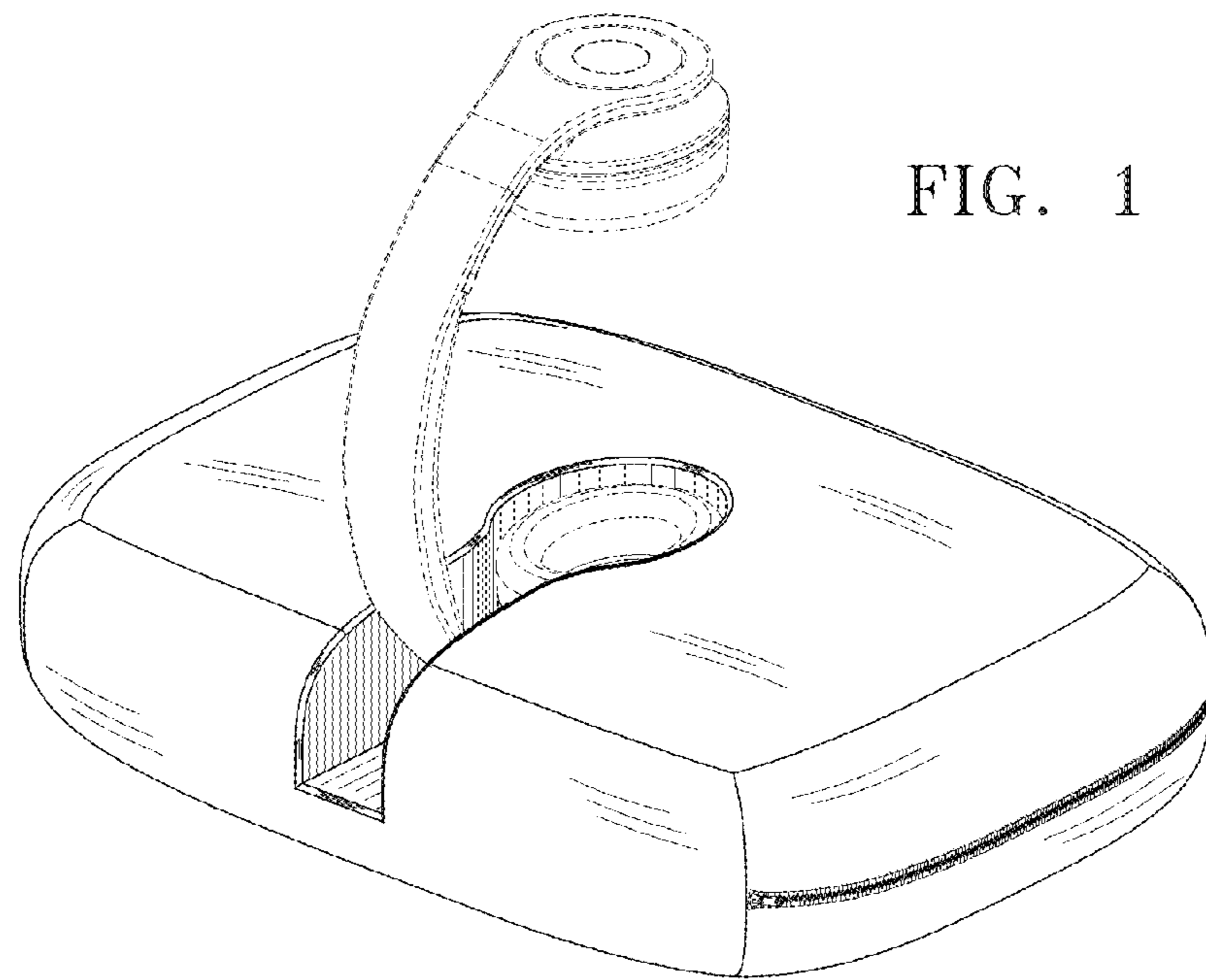


FIG. 1

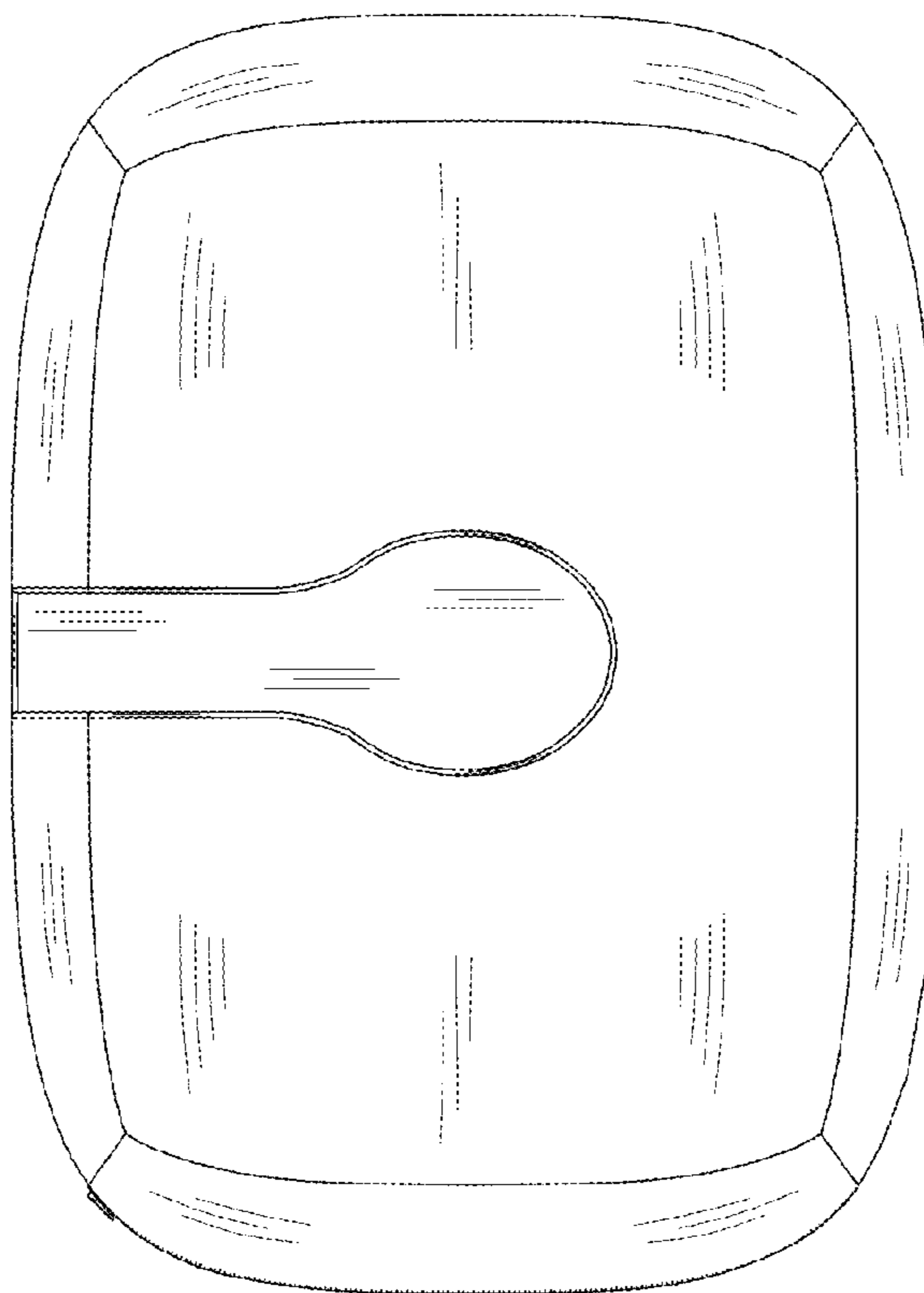


FIG. 2

FIG. 3

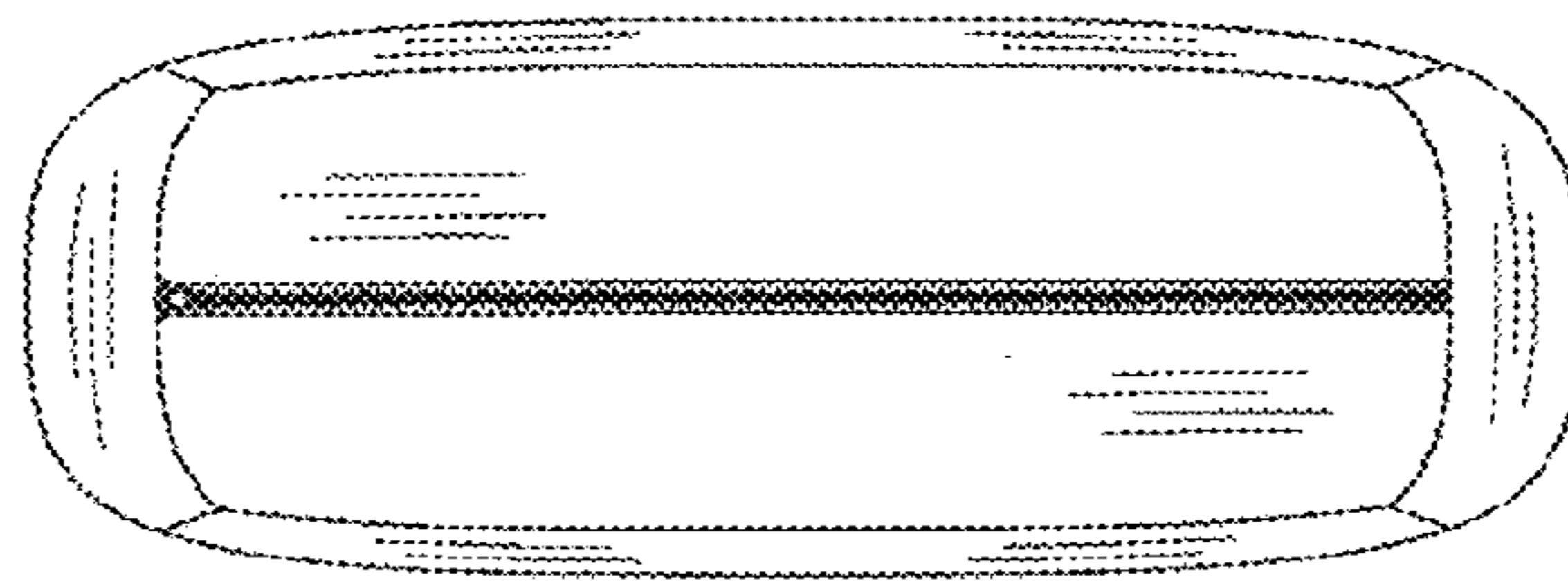


FIG. 4

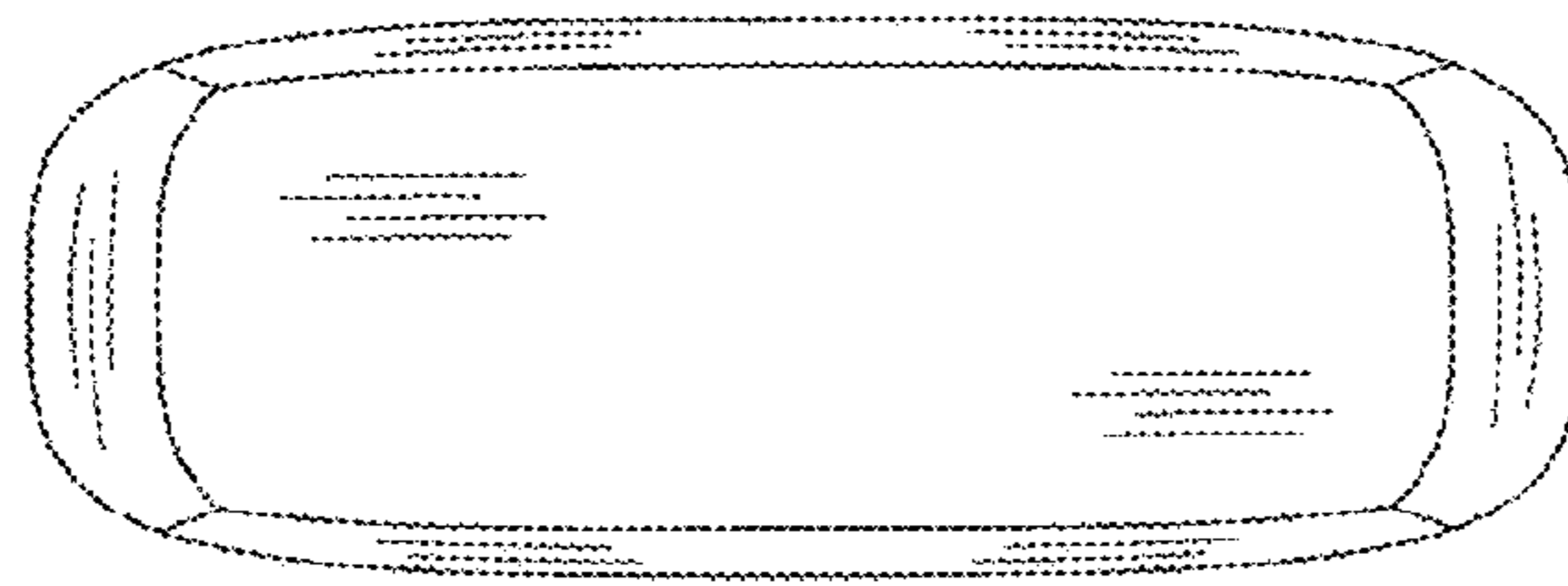


FIG. 5

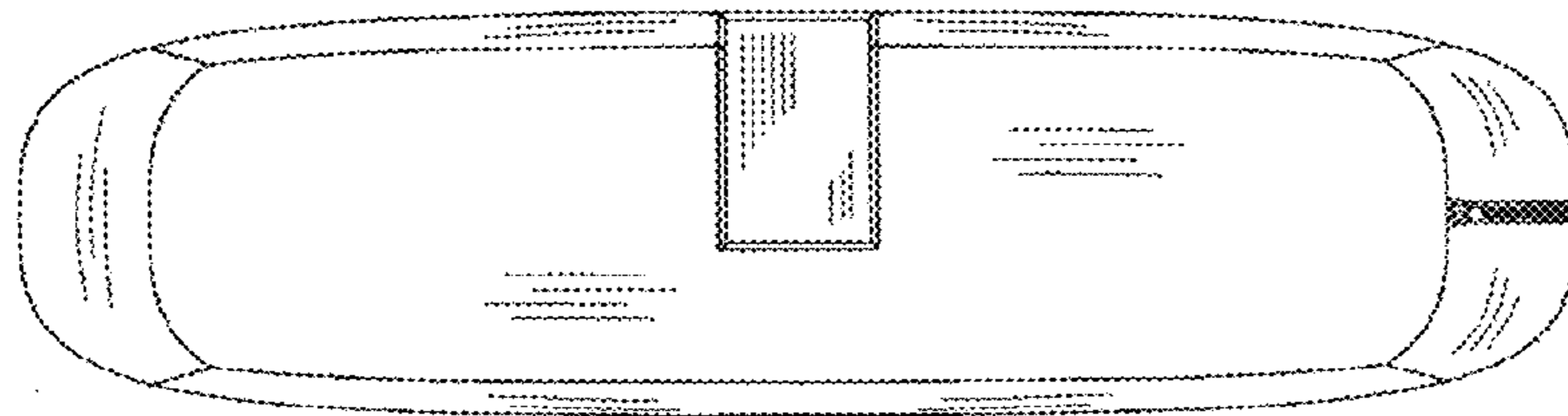


FIG. 6

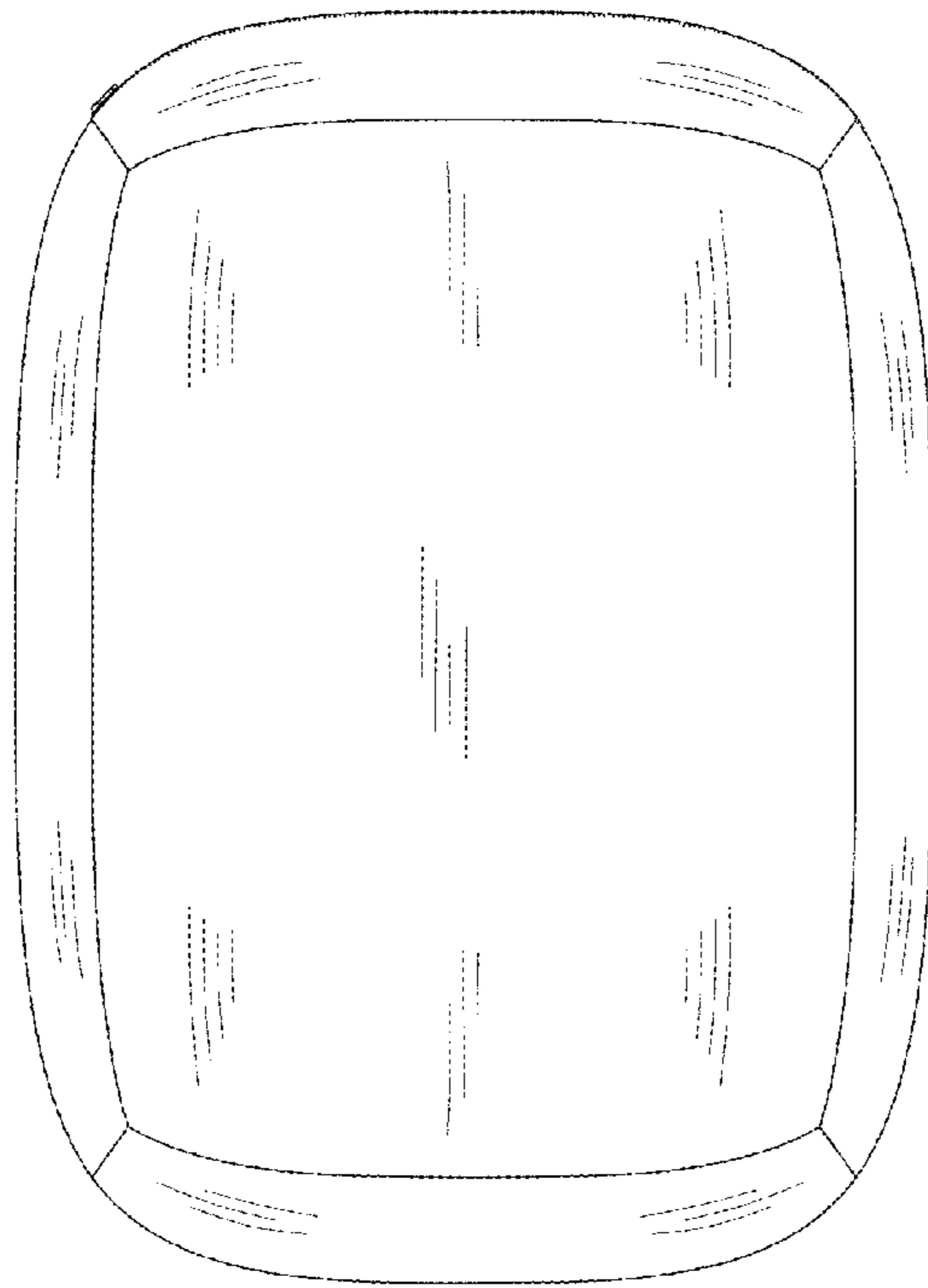


FIG. 7

