



US00D767918S

(12) **United States Design Patent**
Shaw

(10) **Patent No.:** **US D767,918 S**

(45) **Date of Patent:** **** Oct. 4, 2016**

(54) **PORTABLE PAPER TOWEL HOLDER**

(71) Applicant: **Allan L. Shaw**, Tempe, AZ (US)

(72) Inventor: **Allan L. Shaw**, Tempe, AZ (US)

(**) Term: **14 Years**

(21) Appl. No.: **29/520,446**

(22) Filed: **Mar. 13, 2015**

(51) **LOC (10) Cl.** **07-07**

(52) **U.S. Cl.**
USPC **D6/522**

(58) **Field of Classification Search**
USPC D6/518-523; D8/300, 370, 315, 71-74,
D8/394-399, 354, 355, 356, 59;
108/28-29; 211/13.1, 16, 85.5, 86.01,
211/87.01, 88.04, 100, 105.1, 105.2, 106,
211/113, 123, 181.1, 182-183; 248/49,
248/175, 176.1, 200, 201, 205.1, 251, 302,
248/309.1, 315; 242/570, 590, 595-598
CPC A47K 10/22; A47K 2010/3233;
A47K 2010/3246; A47K 2201/00
See application file for complete search history.

(56) **References Cited**

U.S. PATENT DOCUMENTS

3,239,156	A	3/1966	Castellano	
3,878,998	A *	4/1975	Lazzari	A47K 10/40 242/596.4
4,097,002	A *	6/1978	Krueger	A47K 10/40 242/160.1
D264,406	S *	5/1982	Arnott	D6/522
D317,116	S *	5/1991	Nimtz	D32/64
D326,580	S *	6/1992	Brazis	D6/522
D327,192	S *	6/1992	Geuvjehizian	D6/518
5,662,288	A *	9/1997	Chiang	A47K 10/38 242/596

D426,992	S *	6/2000	Walker	D6/522
6,974,043	B1	12/2005	Lai	
7,140,573	B1	11/2006	Jerstroem et al.	
D571,179	S *	6/2008	Ahlgren	D8/395
D594,726	S *	6/2009	Arredondo	D8/72
7,845,469	B1	12/2010	Butler et al.	
D725,462	S *	3/2015	Zilisch	D8/395
2014/0332618	A1 *	11/2014	McNicholas	A47K 10/22 242/591
2015/0216375	A1 *	8/2015	Okazaki	A47K 10/38 242/596.4

* cited by examiner

Primary Examiner — David Muller

Assistant Examiner — Nathan Johnston

(74) *Attorney, Agent, or Firm* — Mark V. Loen

(57) **CLAIM**

The ornamental design for a portable paper towel holder, as shown and described.

DESCRIPTION

FIG. 1 is a left front perspective view of the portable paper towel holder with the paper towel end holders partially folded inwardly;

FIG. 2 is a top plan view of the portable paper towel holder; FIG. 3 is a bottom plan view of the portable paper towel holder;

FIG. 4 is a front elevational view of FIG. 2;

FIG. 5 is a rear elevational view of FIG. 2;

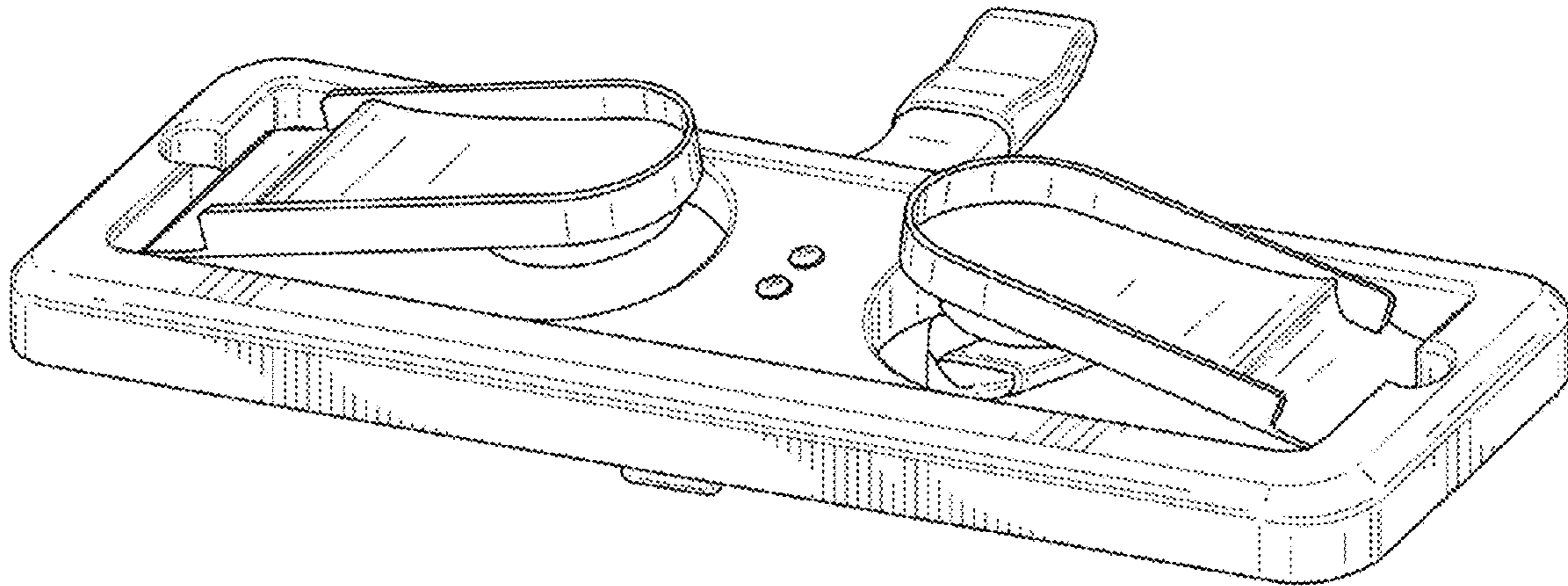
FIG. 6 is a right side elevational view of FIG. 2;

FIG. 7 is a left side elevational view of FIG. 2; and,

FIG. 8 is a view of the portable paper towel holder in condition of use.

The broken lines are shown for environmental purposes only and form no part of the claimed design.

1 Claim, 6 Drawing Sheets



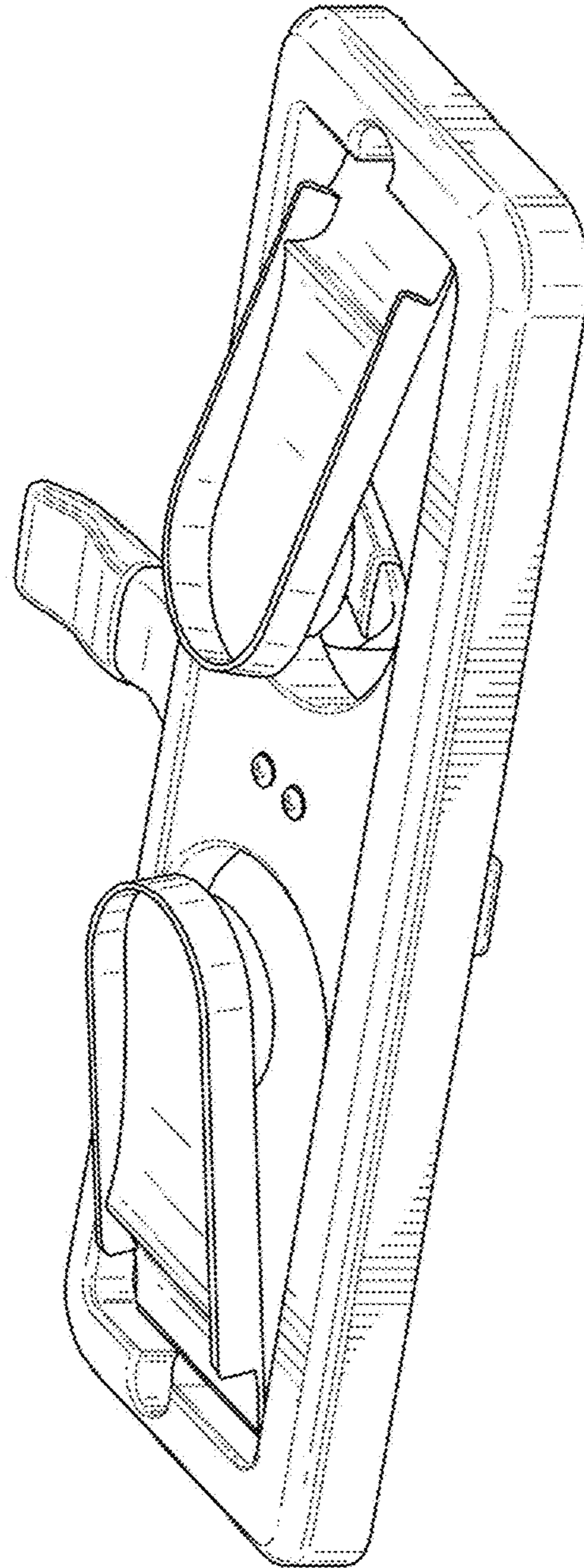


FIG. 1

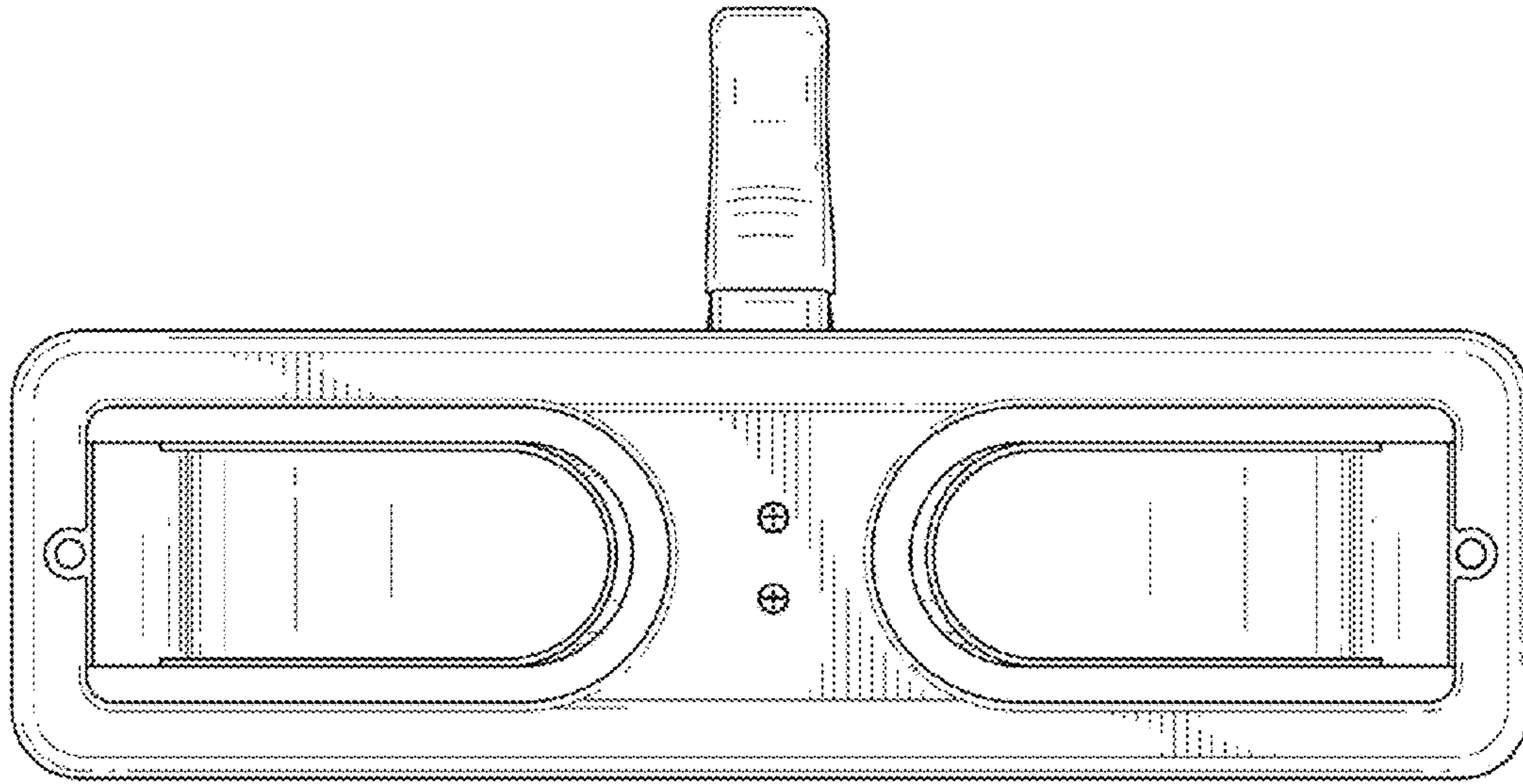


FIG. 2

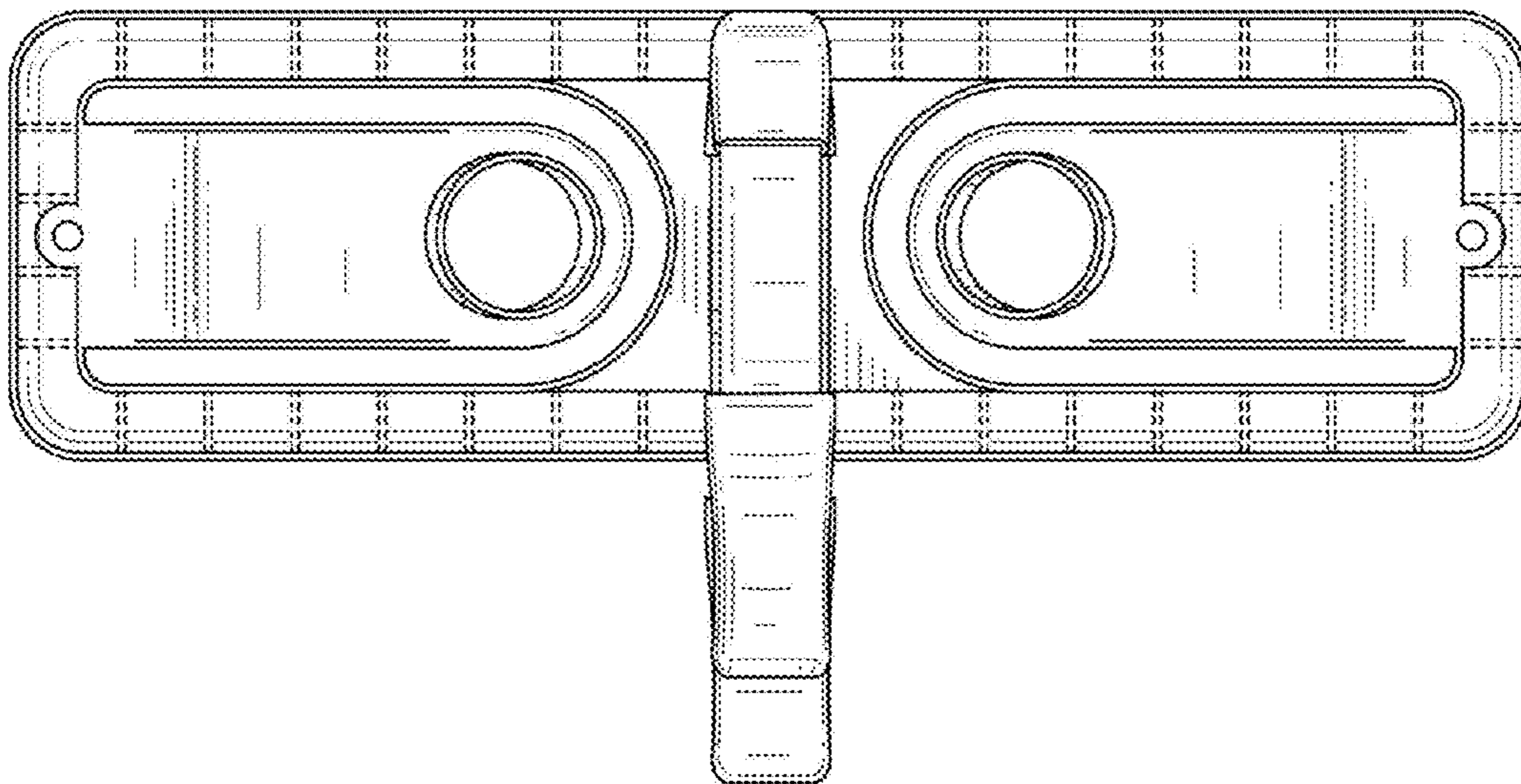


FIG. 3

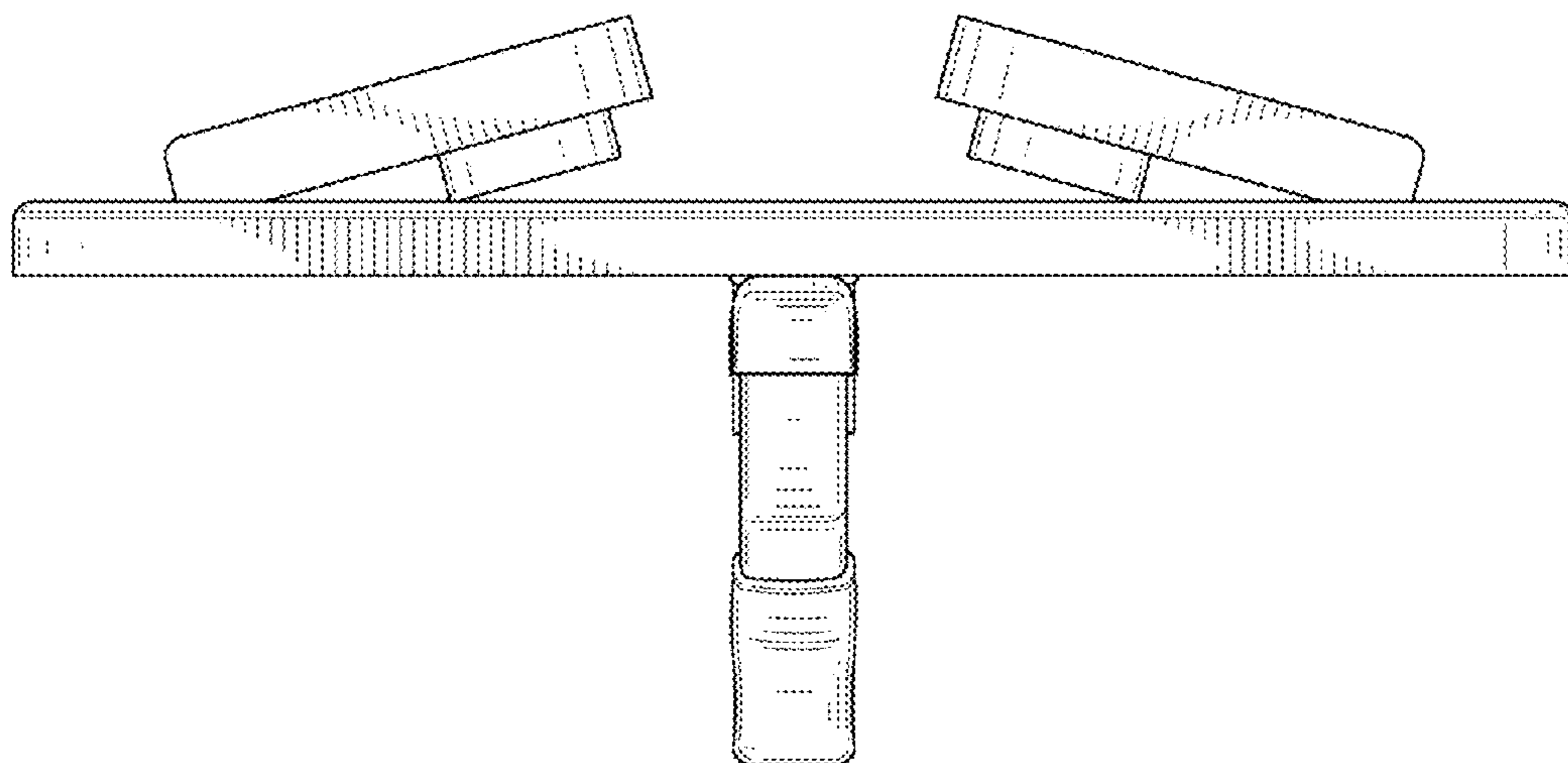


FIG. 4

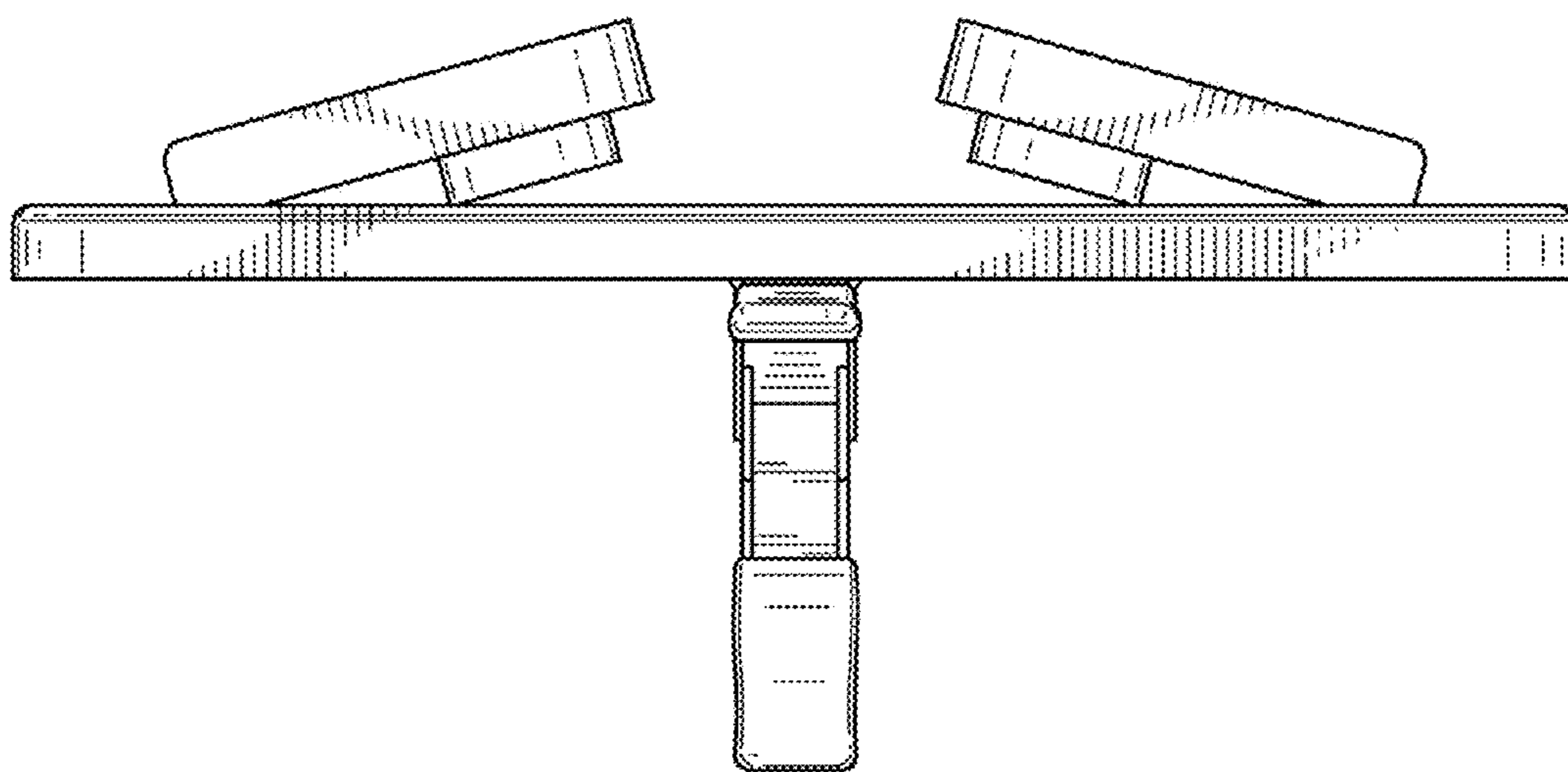


FIG. 5

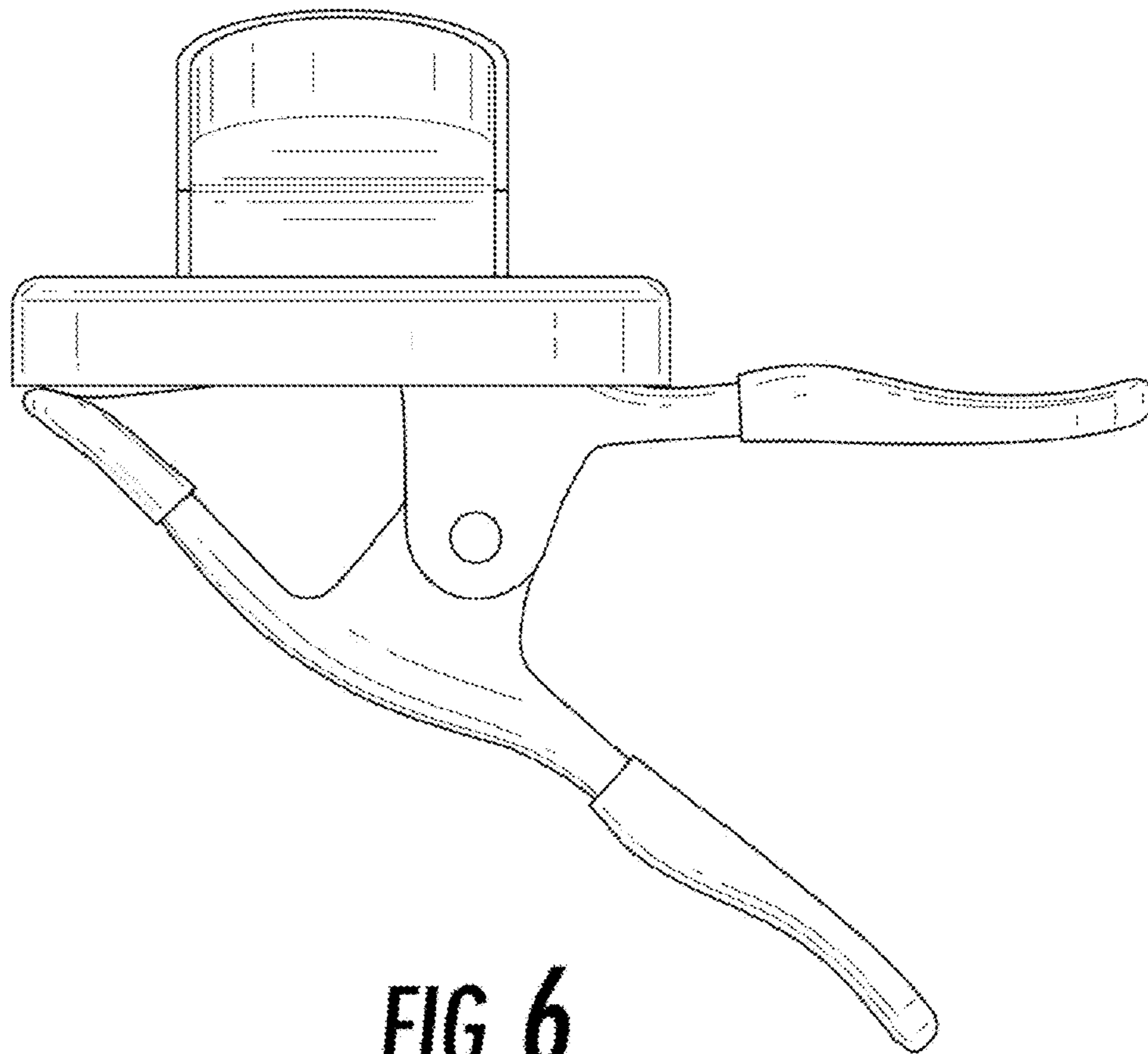


FIG. 6

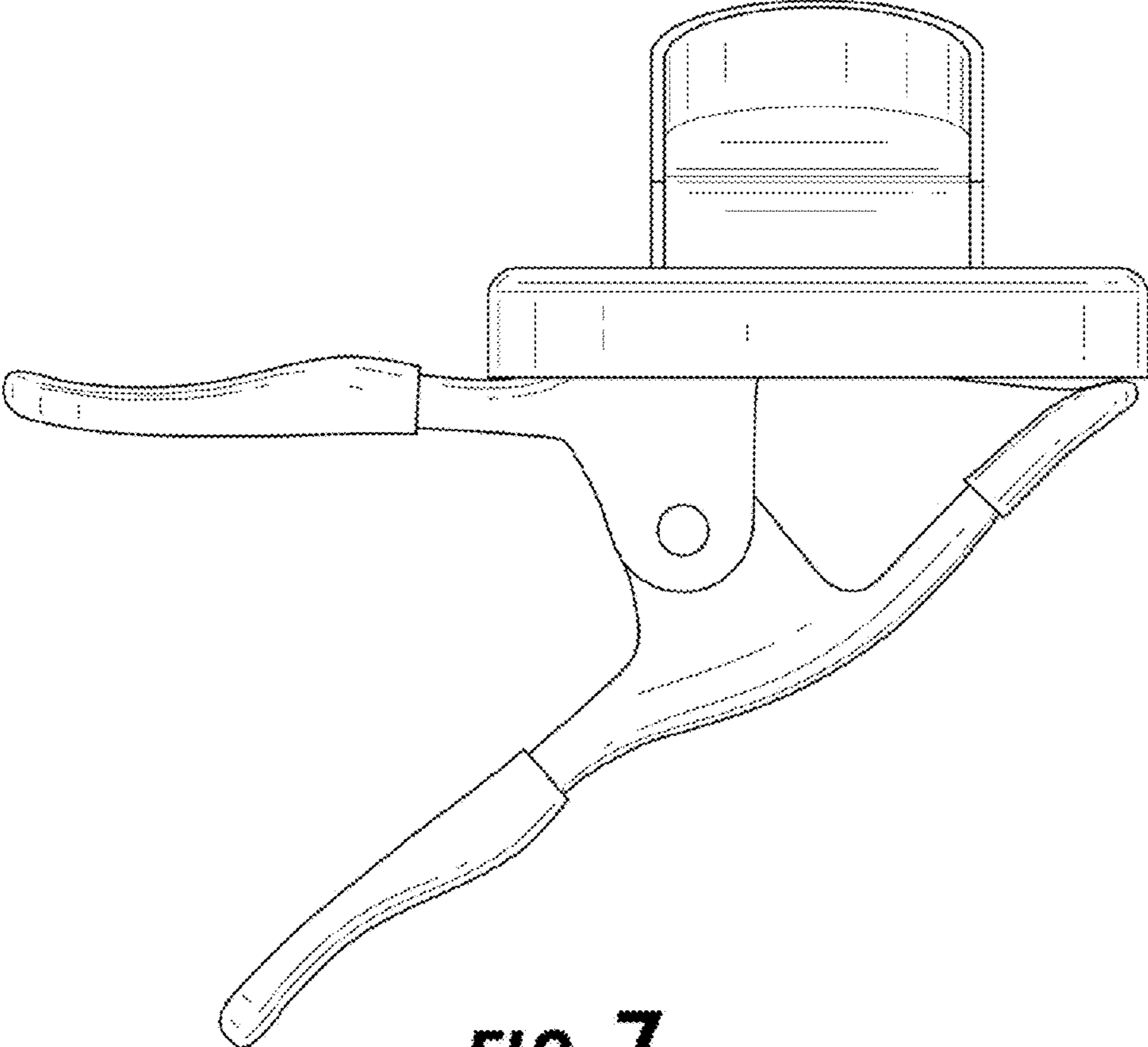


FIG. 7

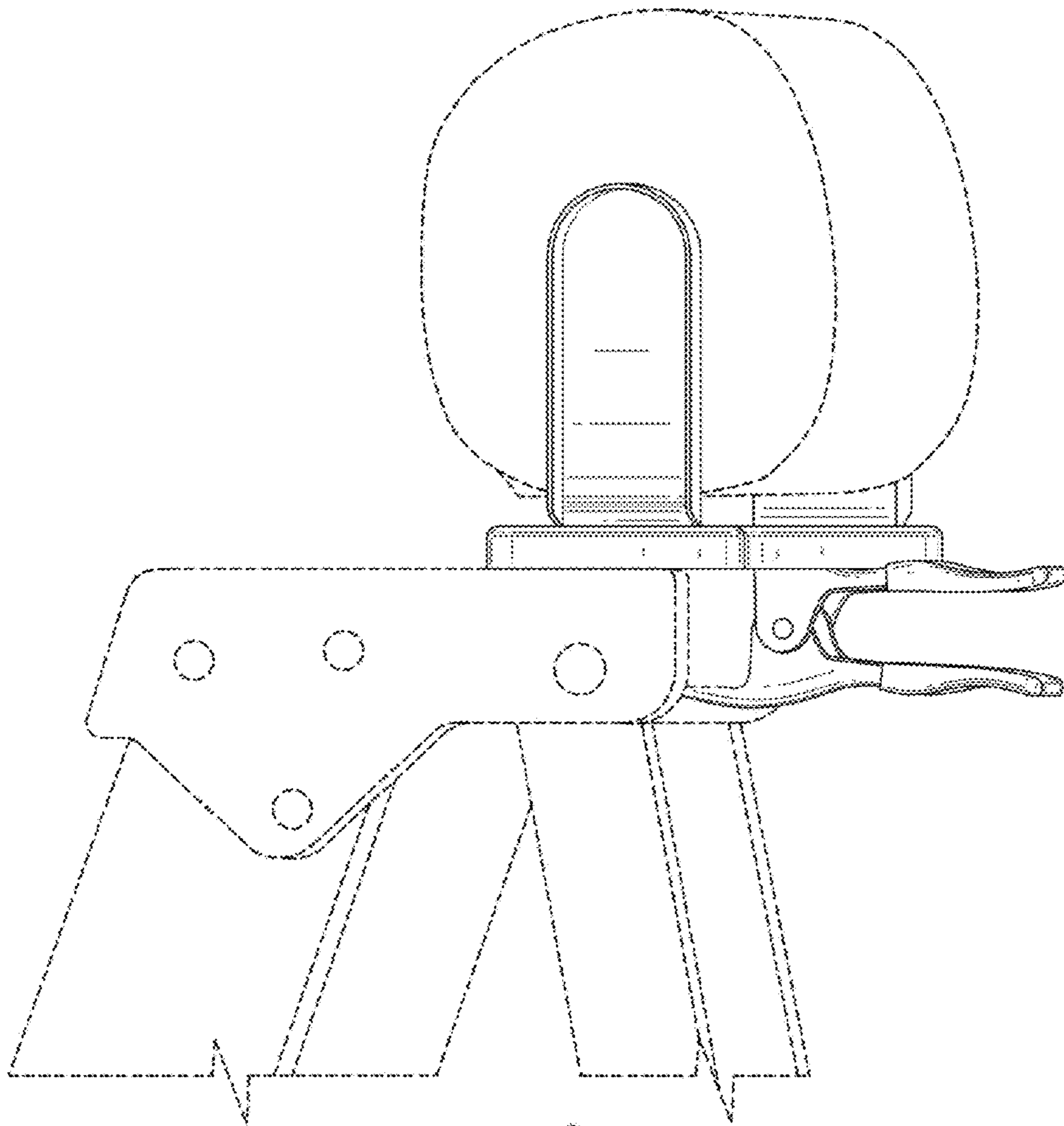


FIG. 8