



US00D767917S

(12) **United States Design Patent** (10) **Patent No.:** **US D767,917 S**
Morrison et al. (45) **Date of Patent:** **** Oct. 4, 2016**

(54) **ADVERTISING DEVICE FOR DISPENSING SANITIZING ARTICLES**

(71) Applicant: **Terraboost Media LLC**, Miami, FL (US)

(72) Inventors: **Brian Morrison**, Miami Beach, FL (US); **Neal Gollob**, Canton, GA (US)

(73) Assignee: **Terraboost Media LLC**, Miami, FL (US)

(**) Term: **15 Years**

(21) Appl. No.: **29/531,048**

(22) Filed: **Jun. 23, 2015**

Related U.S. Application Data

(63) Continuation-in-part of application No. 29/525,485, filed on Apr. 30, 2015.

(51) **LOC (10) Cl.** **20-02**

(52) **U.S. Cl.**
USPC **D6/515**

(58) **Field of Classification Search**
USPC D6/515-523; 206/389, 391; 211/13.1, 211/16, 44, 49.1, 50, 59.2, 86; 222/173, 222/181.1; 221/282, 283; 312/34, 34.8, 22, 312/309.1

CPC A47L 13/38; B05B 11/3001; B05B 1/14; B05C 17/002; A23B 4/16

See application file for complete search history.

(56) **References Cited**

U.S. PATENT DOCUMENTS

4,605,130 A *	8/1986	Taub	A47F 5/114
				211/133.1
D316,787 S *	5/1991	Kelly	D6/515
D330,983 S *	11/1992	De Moss	D20/1
D372,613 S	8/1996	Nixon, II		
5,632,418 A *	5/1997	Brown	A47K 5/1202
				222/153.09
D388,991 S	1/1998	Thomas et al.		

5,717,374 A	2/1998	Smith
5,810,201 A	9/1998	Besse et al.
5,865,340 A	2/1999	Alvern
D419,804 S	2/2000	Reitman
D431,931 S	10/2000	Sicignano, III
D463,928 S	10/2002	Kauzlarich et al.
6,691,897 B2	2/2004	Ashe
6,783,028 B1	8/2004	Ambrose et al.
6,866,166 B2	3/2005	Mehes et al.
7,131,468 B2	11/2006	Schuman et al.
D572,955 S	7/2008	Barcena Zafra
D578,328 S	10/2008	Plum et al.

(Continued)

OTHER PUBLICATIONS

Terraboost media website, the premium section on mainpage, Jun. 30, 2016, <http://terraboost.com/media/hand-sanitizing-billboards/#.V3UmV032amN>.*

Primary Examiner — David Muller
Assistant Examiner — Nathan Johnston
(74) *Attorney, Agent, or Firm* — GrayRobinson, PA;
Donald S. Showalter

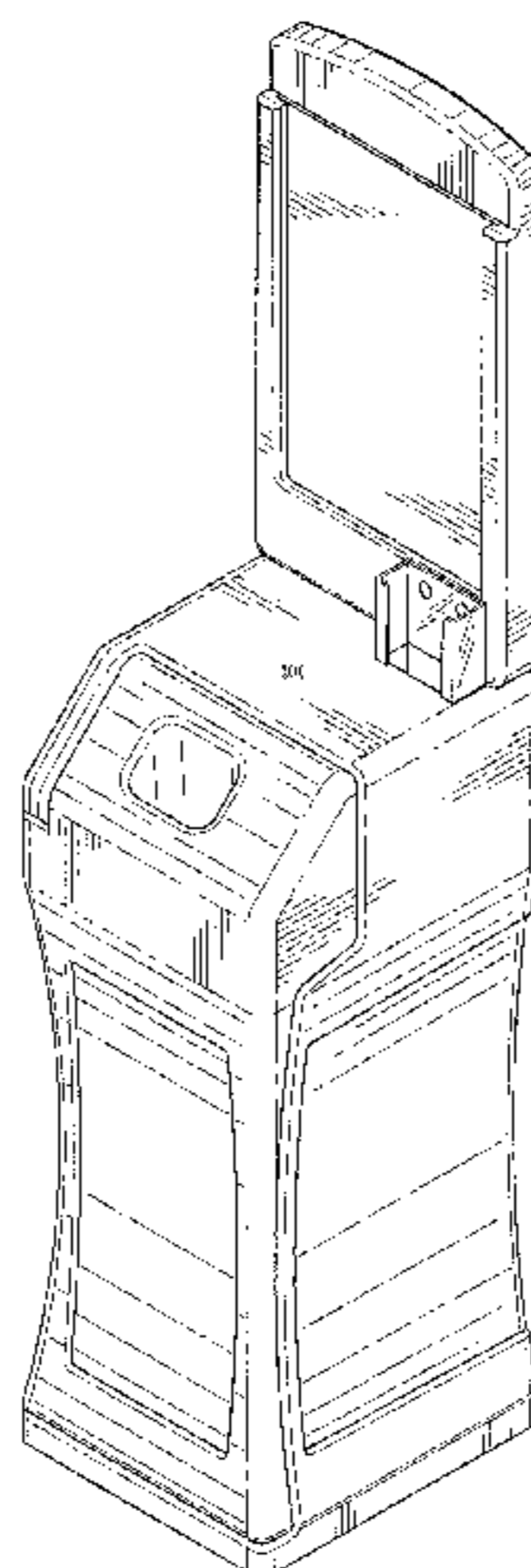
(57) **CLAIM**

The ornamental design of an advertising device for dispensing sanitizing articles, as shown and described.

DESCRIPTION

FIG. 1 is a perspective view of an advertising device for dispensing sanitizing articles showing our new design; FIG. 2 is a second perspective view thereof; FIG. 3 is a front elevation view thereof; FIG. 4 is a rear elevation view thereof; FIG. 5 is a left side elevation view thereof; FIG. 6 is a right side elevation view thereof; FIG. 7 is a top plan view thereof; and, FIG. 8 is a bottom plan view thereof. The broken lines form no part of the claimed design.

1 Claim, 7 Drawing Sheets



US D767,917 S

Page 2

(56)

References Cited

U.S. PATENT DOCUMENTS

D586,598 S	2/2009	Tefel et al.	D670,113 S	11/2012	Morrison
D594,260 S	6/2009	Pattberg	D670,114 S	11/2012	Morrison et al.
D604,973 S	12/2009	Morrison et al.	2006/0155600 A1	7/2006	Mays
D604,974 S	12/2009	Morrison et al.	2007/0023455 A1	2/2007	Krengel et al.
D625,536 S *	10/2010	Moed	2007/0137726 A1	6/2007	Yan
8,181,865 B2 *	5/2012	Daily	2008/0021779 A1	1/2008	Lynn et al.
			2015/0347875 A1 *	12/2015	Akiyama G06K 15/005 235/380 358/1.15

* cited by examiner

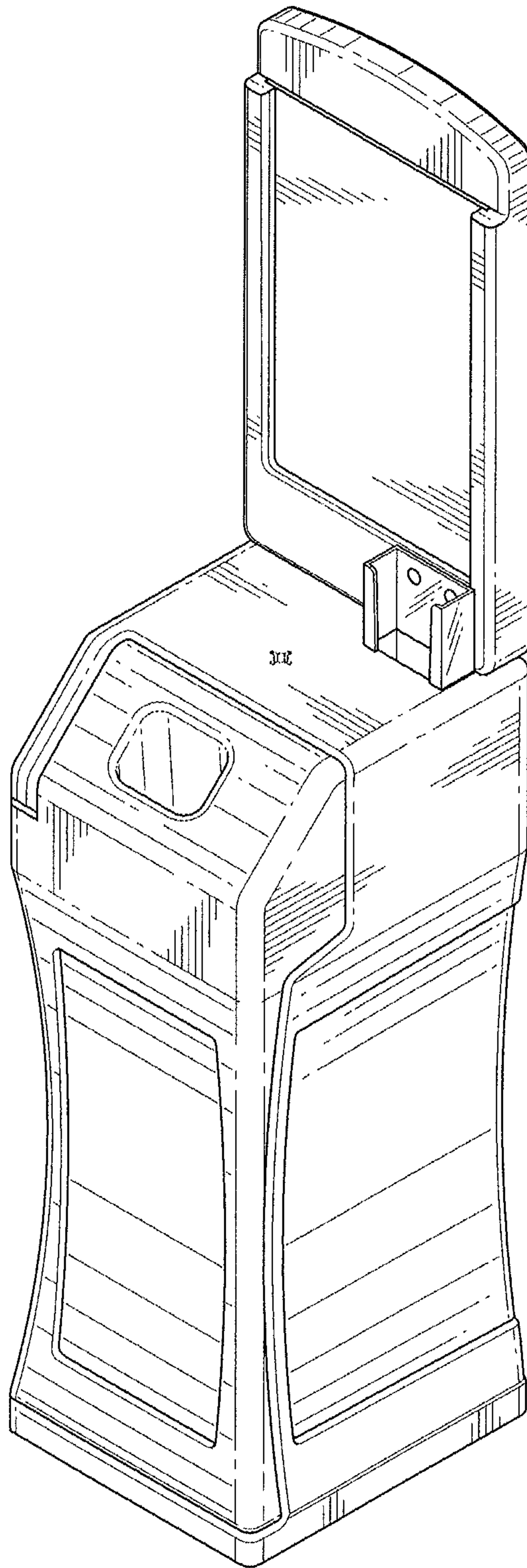


FIG. 1

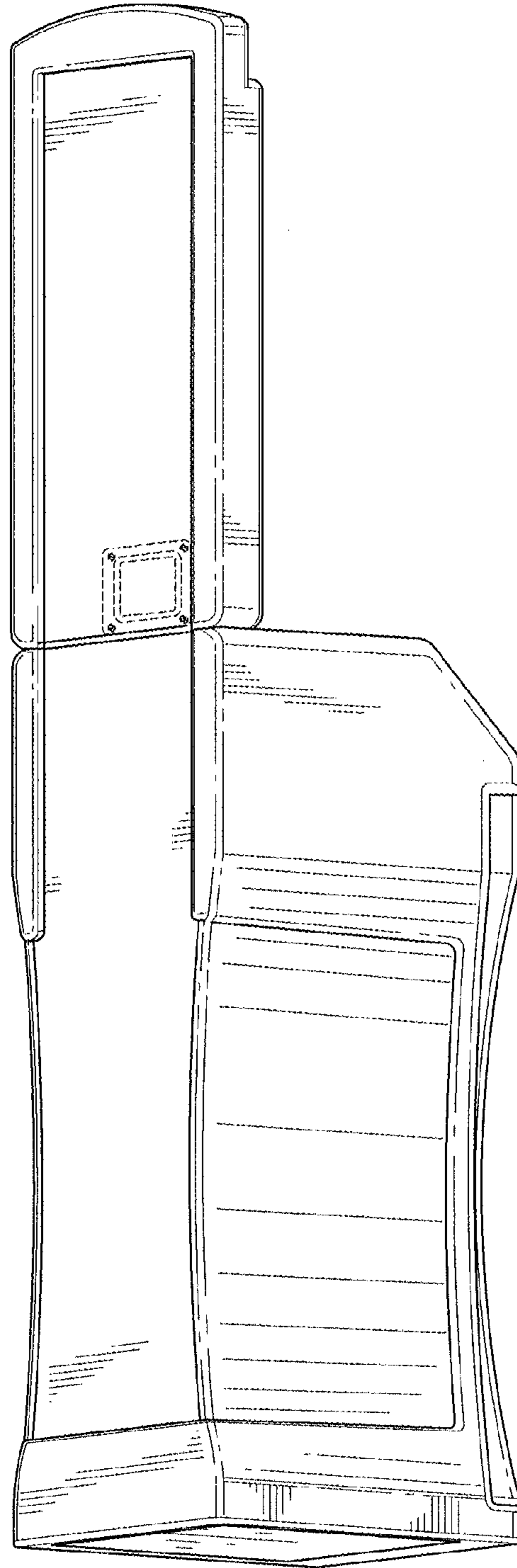


FIG. 2

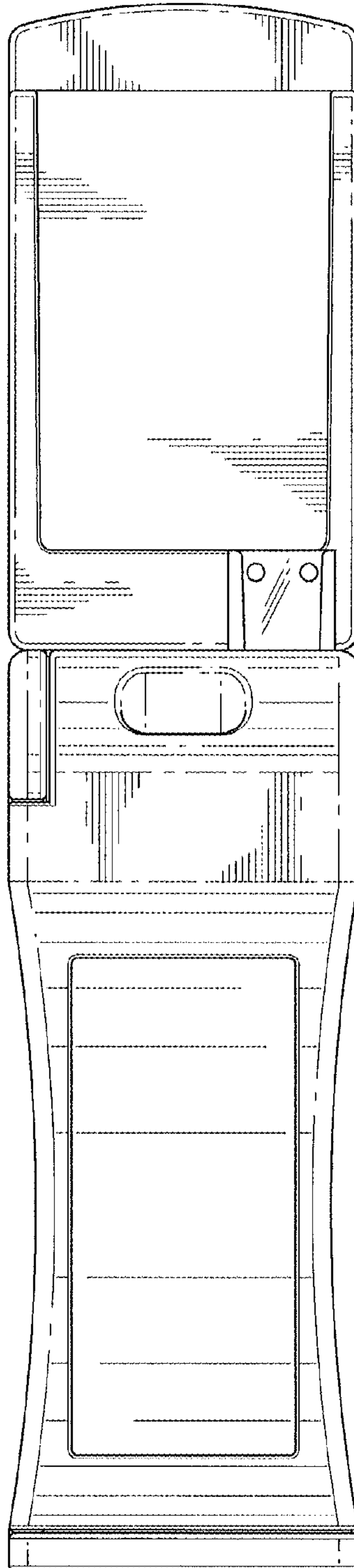


FIG. 3

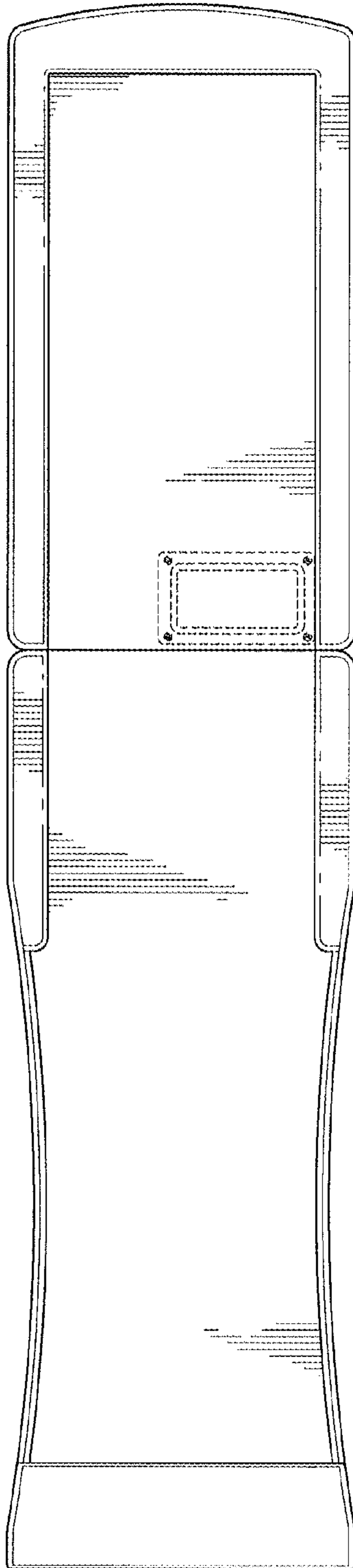


FIG. 4

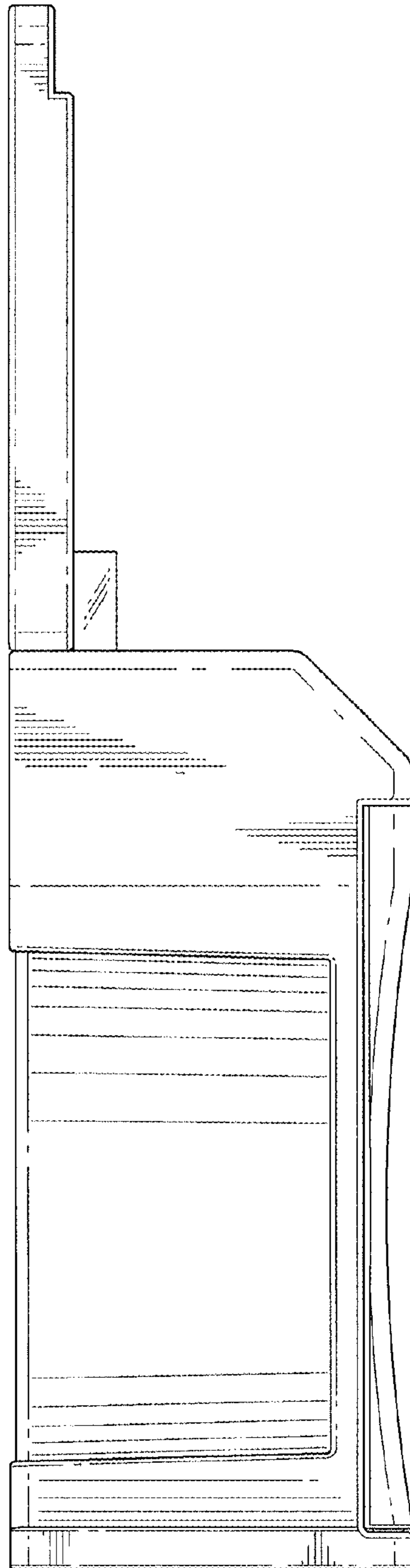


FIG. 5

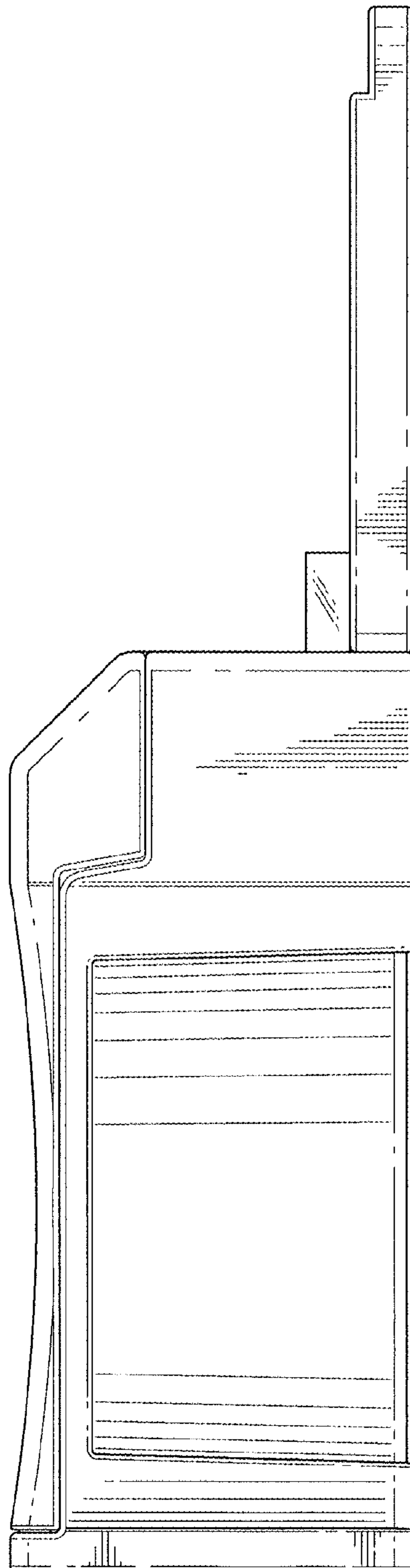


FIG. 6

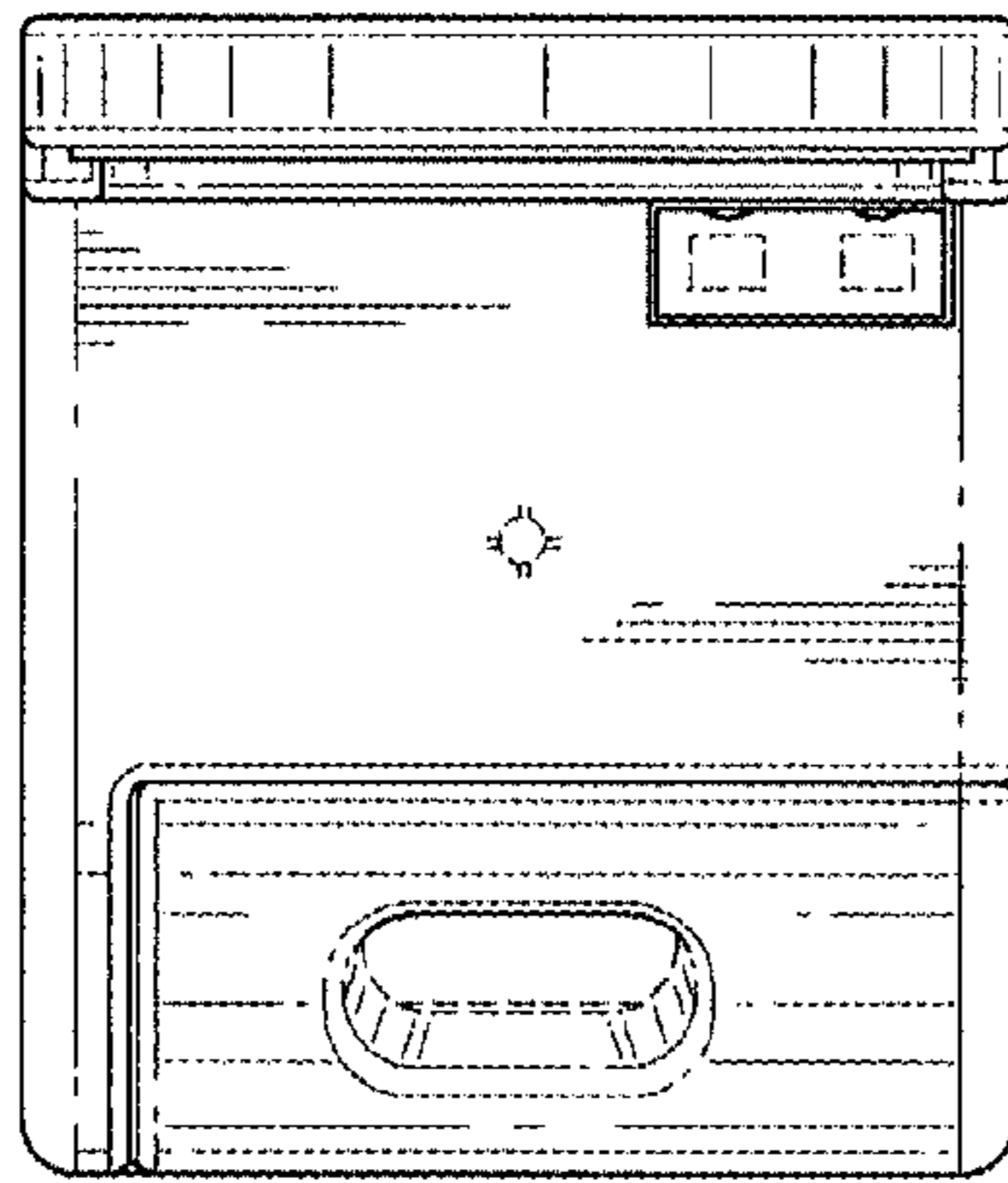


FIG. 7

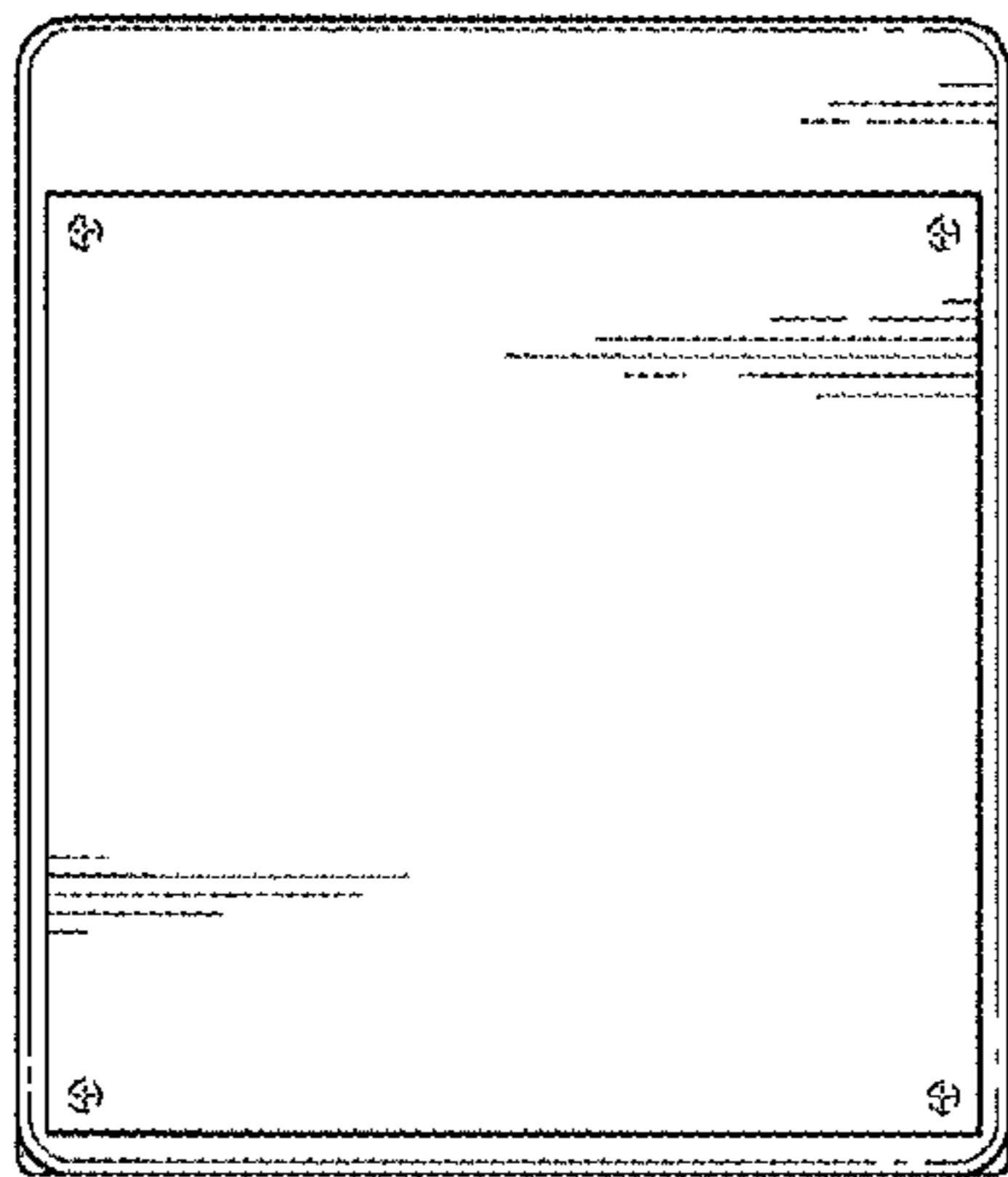


FIG. 8