



US00D767915S

(12) **United States Design Patent**
Held

(10) **Patent No.:** **US D767,915 S**

(45) **Date of Patent:** **** Oct. 4, 2016**

(54) **DISPENSER FOR KITCHEN FOILS**

(71) Applicant: **Julius Blum GmbH**, Hoechst (AT)

(72) Inventor: **Wolfgang Held**, Hard (AT)

(73) Assignee: **JULIUS BLUM GMBH**, Hoechst (AT)

(**) Term: **14 Years**

(21) Appl. No.: **29/503,202**

(22) Filed: **Sep. 24, 2014**

(30) **Foreign Application Priority Data**

Mar. 31, 2014 (EM) 1409114

(51) **LOC (10) Cl.** **06-02**

(52) **U.S. Cl.**
USPC **D6/512**

(58) **Field of Classification Search**
USPC D6/512, 513, 515, 518; D9/734;
222/129, 173
CPC B65B 7/2807; G07F 13/10; A61J 7/0084;
A47F 1/10; A47F 1/08; B65D 83/0882;
B65D 85/672; B65D 85/1009; B65D
83/0805; A47K 10/44; A47K 10/421
See application file for complete search history.

4,787,542 A * 11/1988 Ruff B65H 35/002
225/1

D357,377 S * 4/1995 Manu D6/518

D392,822 S * 3/1998 Gilmore D25/119

6,105,481 A * 8/2000 Schuler B26D 1/045
83/578

6,237,608 B1 * 5/2001 Kari A45D 19/0008
132/200

D522,782 S * 6/2006 Benedetti D6/518

D556,483 S * 12/2007 Voelker D6/520

D595,075 S * 6/2009 Ramos Peon D6/518

D604,541 S * 11/2009 Bone D6/518

D625,537 S * 10/2010 Maxwell D6/518

D637,027 S * 5/2011 Withers D6/518

D653,887 S * 2/2012 Guerin D6/518

8,215,520 B2 * 7/2012 Miller A47F 1/126
211/59.2

D666,442 S * 9/2012 Sharp D6/518

D672,176 S * 12/2012 Morrow D19/86

D718,952 S * 12/2014 Currat D6/515

D728,256 S * 5/2015 De Rossi D6/515

D728,258 S * 5/2015 Cohen D6/518

D729,540 S * 5/2015 Erdman D6/518

D731,808 S * 6/2015 Hazem D6/518

2003/0183644 A1 * 10/2003 Sarnoff A47K 10/421
221/48

2007/0000935 A1 * 1/2007 Pavlik B26D 1/045
221/33

* cited by examiner

Primary Examiner — John Windmuller
Assistant Examiner — Steven Czyz
 (74) *Attorney, Agent, or Firm* — Wenderoth, Lind & Ponack, L.L.P.

(56) **References Cited**
 U.S. PATENT DOCUMENTS

D115,098 S * 6/1939 Broeren et al. D6/518

D139,326 S * 10/1944 Gordon et al. D28/73

D156,646 S * 12/1949 Mell et al. D6/518

2,925,207 A * 2/1960 Kunsch A47J 37/00
225/7

3,088,640 A * 5/1963 Kunsch B65D 83/0841
225/48

D208,102 S * 7/1967 Brandon et al. D6/518

D272,970 S * 3/1984 Hasegawa D6/518

D273,063 S * 3/1984 Gatward D6/518

D278,005 S * 3/1985 Wolff D6/518

4,651,911 A * 3/1987 Kirkup B65D 83/0841
225/20

(57) **CLAIM**
 The ornamental design for a dispenser for kitchen foils, as shown and described.

DESCRIPTION

FIG. 1 is a perspective view of a dispenser for kitchen foils;
 FIG. 2 is a front view thereof;
 FIG. 3 is a right side view thereof;
 FIG. 4 is a bottom view thereof;
 FIG. 5 is a front view thereof;
 FIG. 6 is a rear view thereof; and,
 FIG. 7 is a left side view thereof.

1 Claim, 7 Drawing Sheets

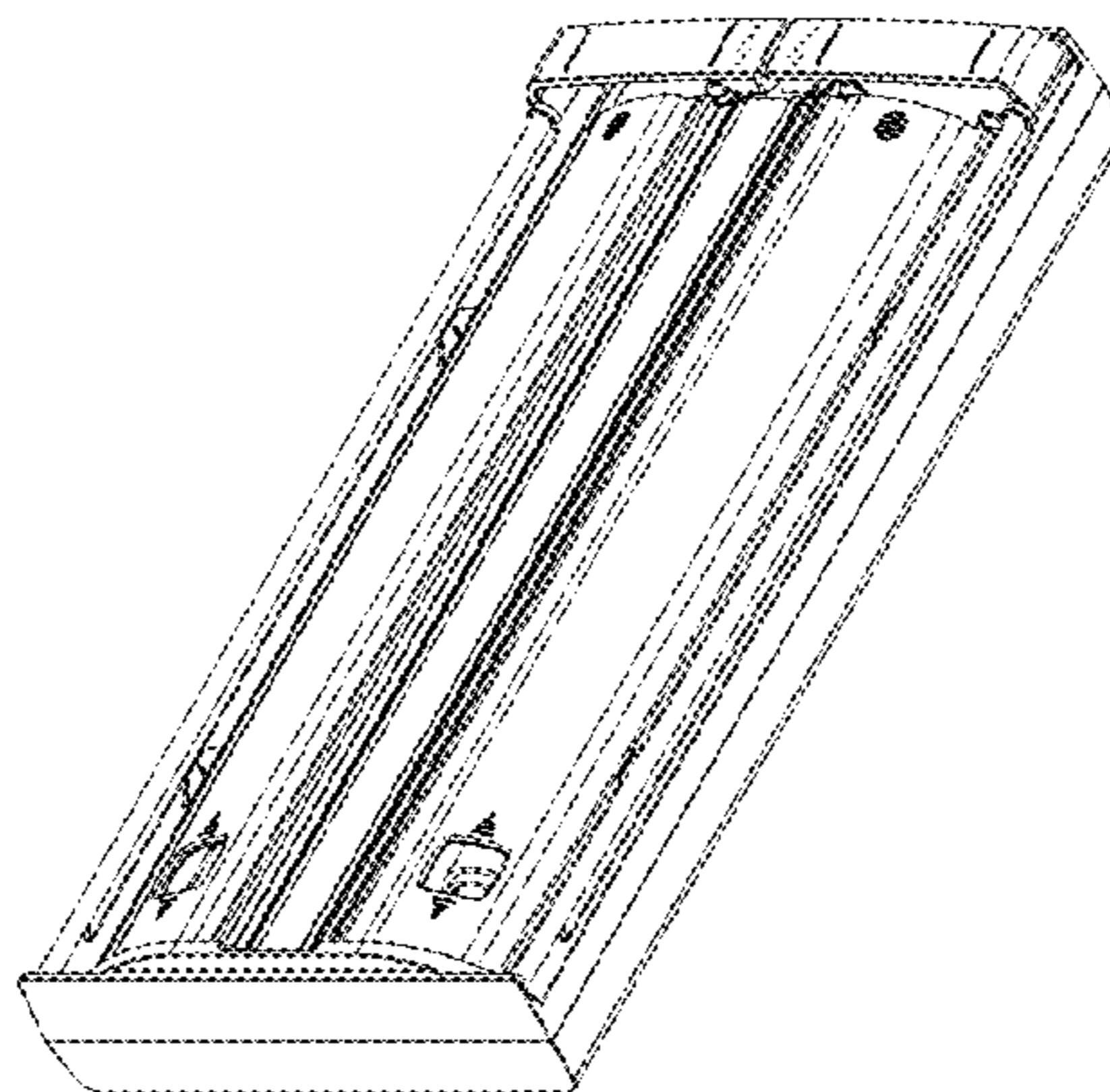


Fig. 1

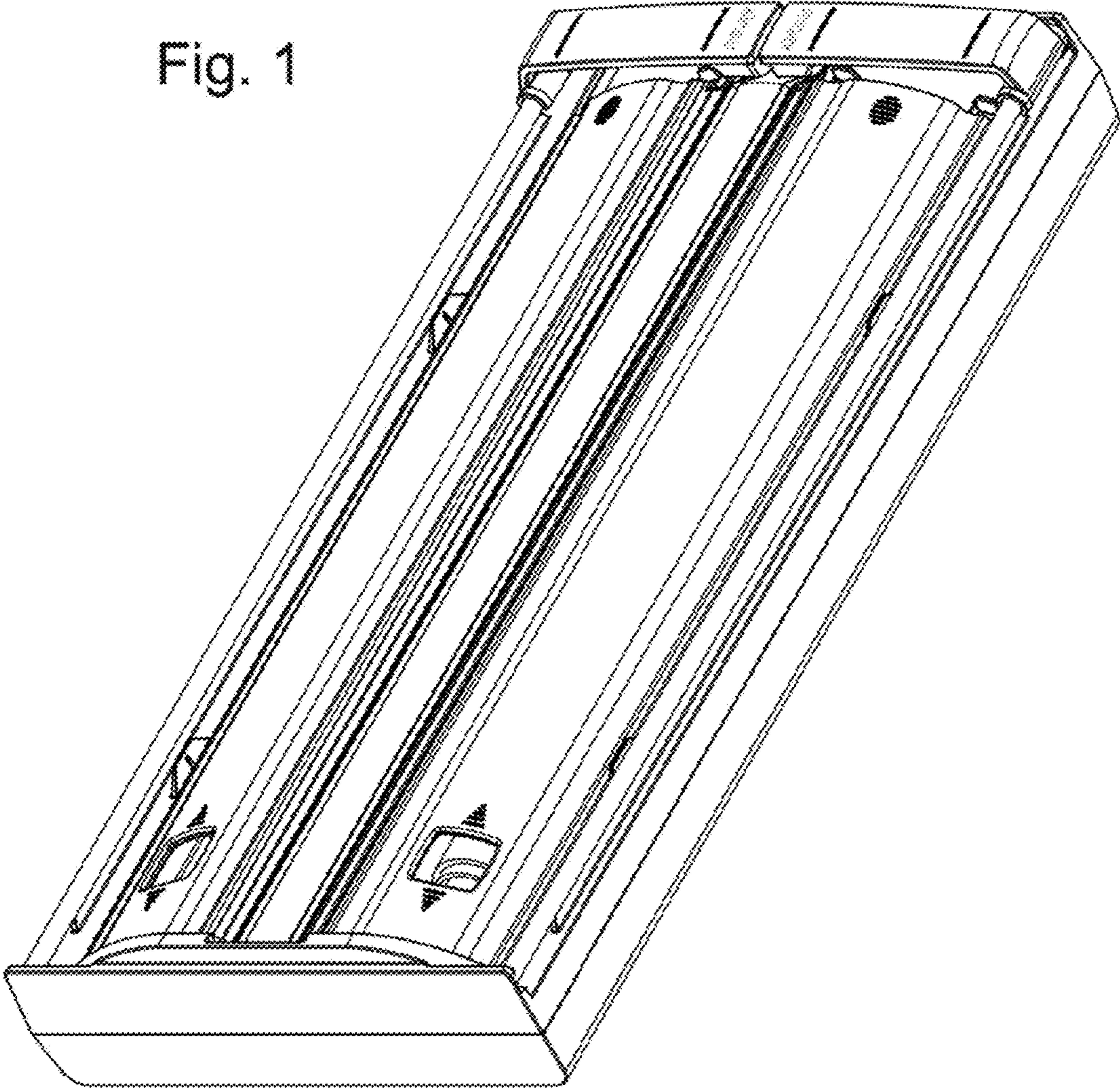


Fig. 2

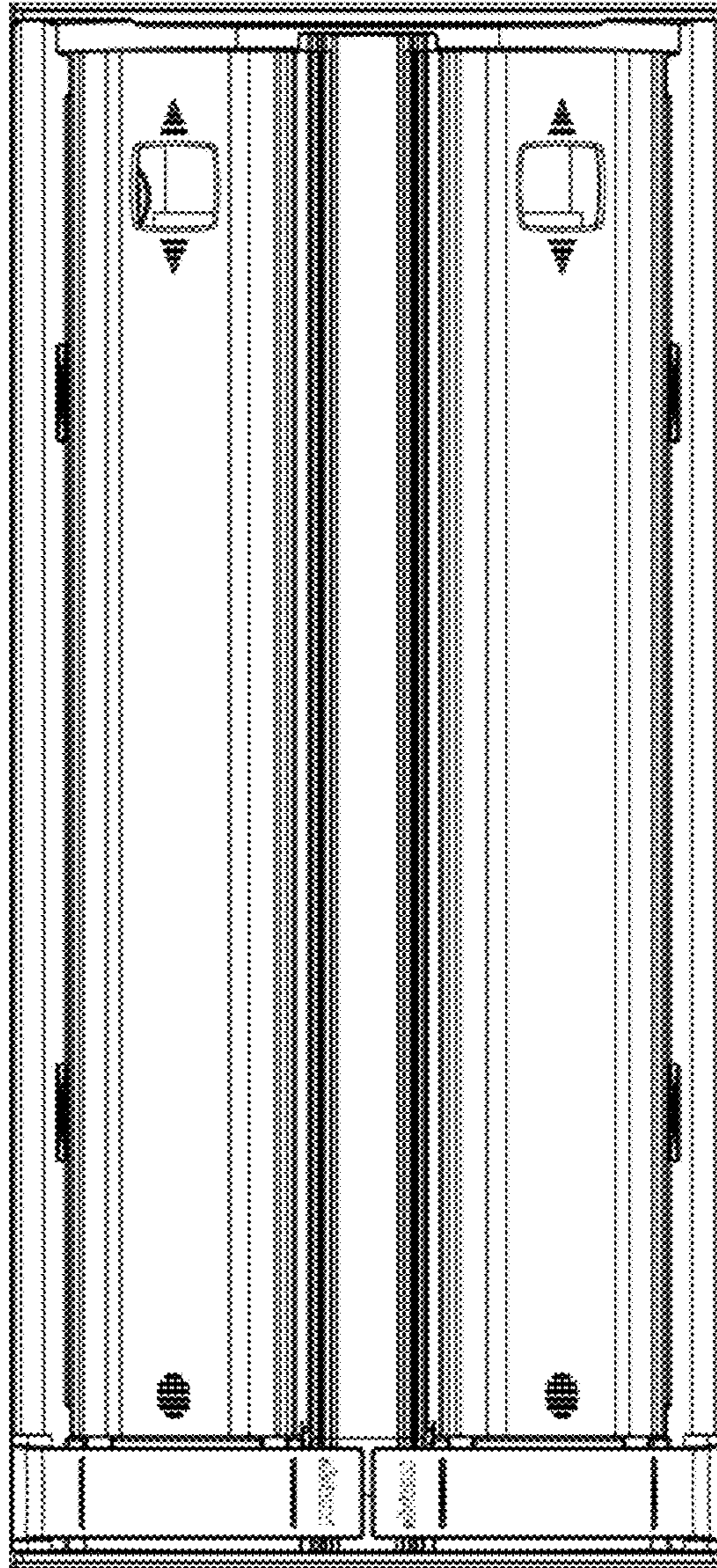


Fig. 3

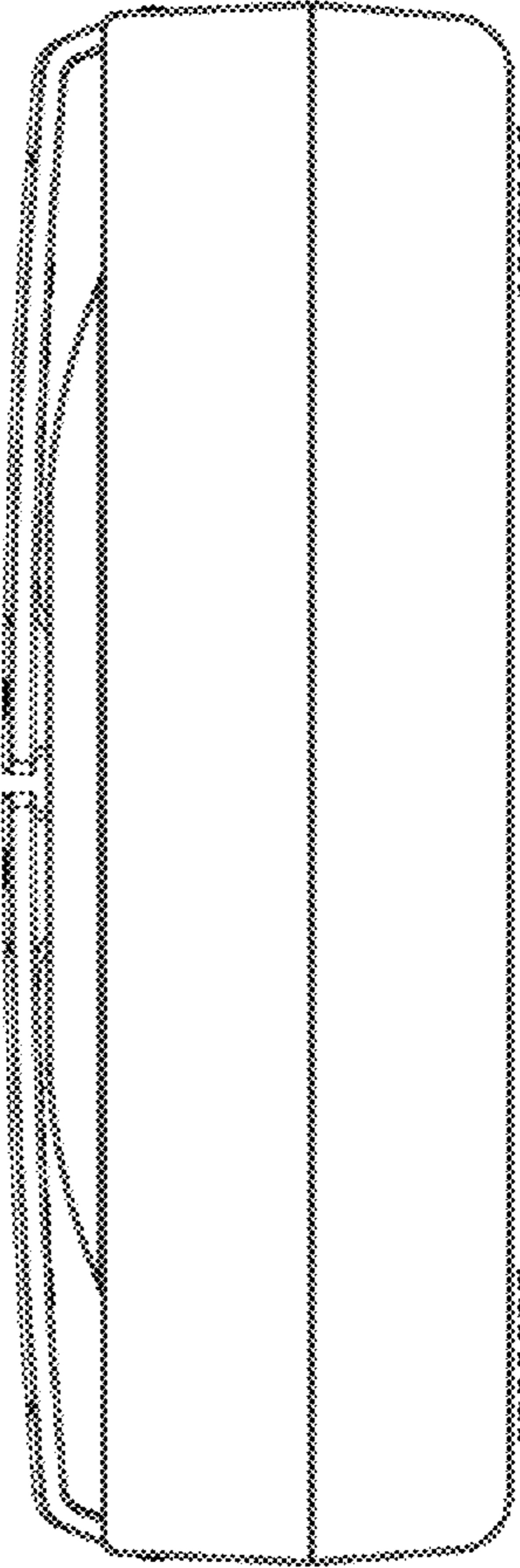


Fig. 4

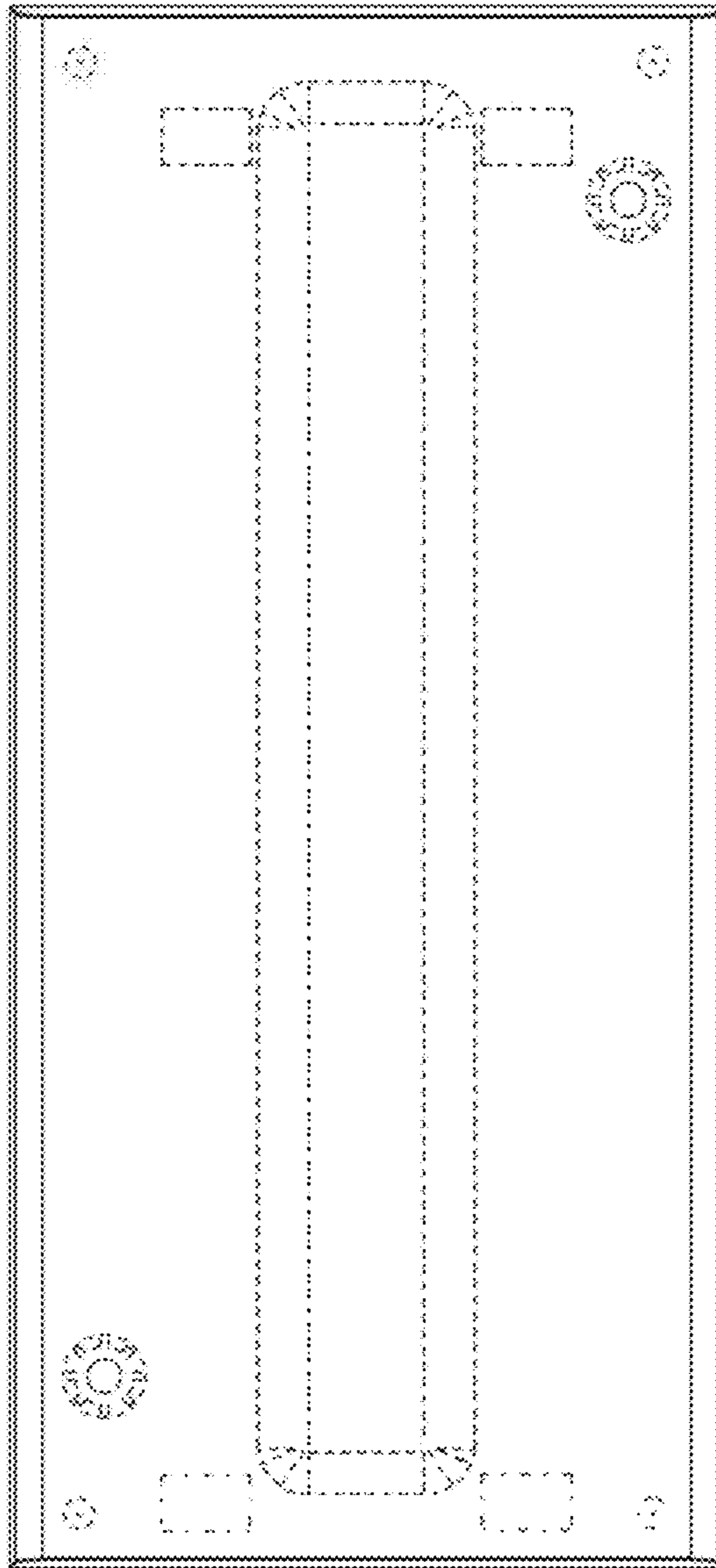


Fig. 5

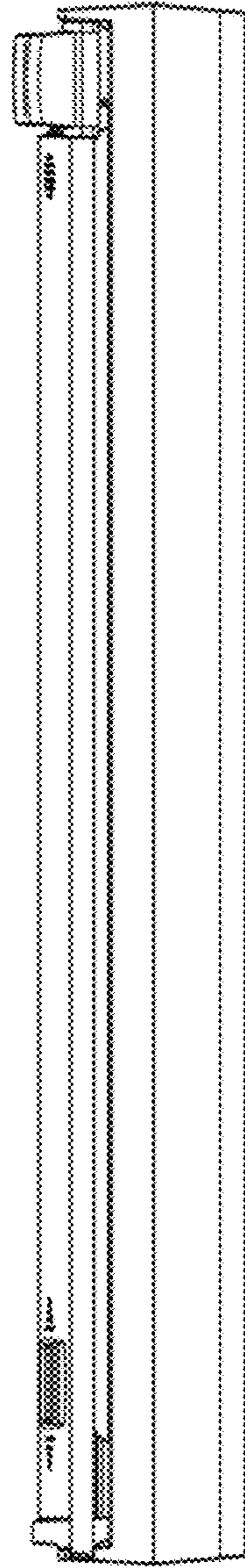


Fig. 6

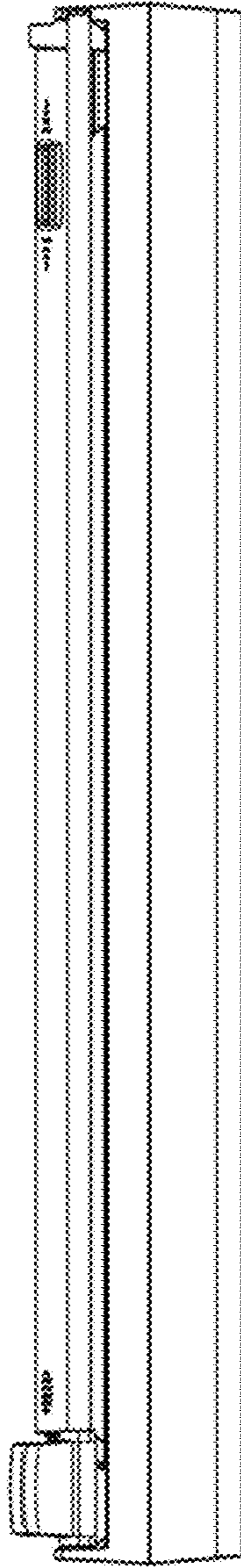


Fig. 7

