

US00D767913S

(12) **United States Design Patent**  
**Cochran et al.**

(10) **Patent No.:** **US D767,913 S**  
(45) **Date of Patent:** **\*\* Oct. 4, 2016**

(54) **SEAT**  
(71) Applicant: **LANDSCAPE FORMS, INC.**,  
Kalamazoo, MI (US)  
(72) Inventors: **Andrea Cochran**, San Francisco, CA  
(US); **Brian Revoir**, Vicksburg, MI  
(US); **Jeremy Tsai**, Brooklyn, NY (US)

D237,848 S \* 12/1975 Sklaroff ..... D6/373  
D344,194 S \* 2/1994 Gibbs ..... D6/373  
D357,135 S \* 4/1995 Hess ..... D6/373  
D366,573 S \* 1/1996 Hess ..... D6/373  
D426,717 S \* 6/2000 Frinier ..... D6/375  
D431,727 S \* 10/2000 Bell ..... D6/373  
D513,910 S \* 1/2006 Gehry  
D584,068 S \* 1/2009 Figueras Mitjans ..... D6/375  
D606,329 S \* 12/2009 Van Duysen ..... D6/375

(73) Assignee: **LANDSCAPE FORMS, INC.**,  
Kalamazoo, MI (US)

(\*\*) Term: **15 Years**

(21) Appl. No.: **29/536,883**

(22) Filed: **Aug. 20, 2015**

(51) **LOC (10) Cl.** ..... **06-01**

(52) **U.S. Cl.**  
USPC ..... **D6/373**

(58) **Field of Classification Search**  
USPC ..... D6/334-336, 371, 373, 374, 375, 376,  
D6/379, 380, 716, 716.1, 716.2, 716.3,  
D6/716.4  
CPC ..... A47C 3/04; A47C 4/02; A47C 4/03;  
A47C 5/02; A47C 5/04  
See application file for complete search history.

(56) **References Cited**

**U.S. PATENT DOCUMENTS**

D233,964 S \* 12/1974 Morrison ..... D6/373  
D235,947 S \* 7/1975 Uyeda ..... D6/373

**OTHER PUBLICATIONS**

Knoll modern outdoor furniture, printout available online on Aug. 7, 2015 at <http://www.knoll.com/shop/by-category/seating/outdoor>, 1 page.

\* cited by examiner

*Primary Examiner* — Mimosa De

(74) *Attorney, Agent, or Firm* — Heslin Rothenberg  
Farley & Mesiti P.C.

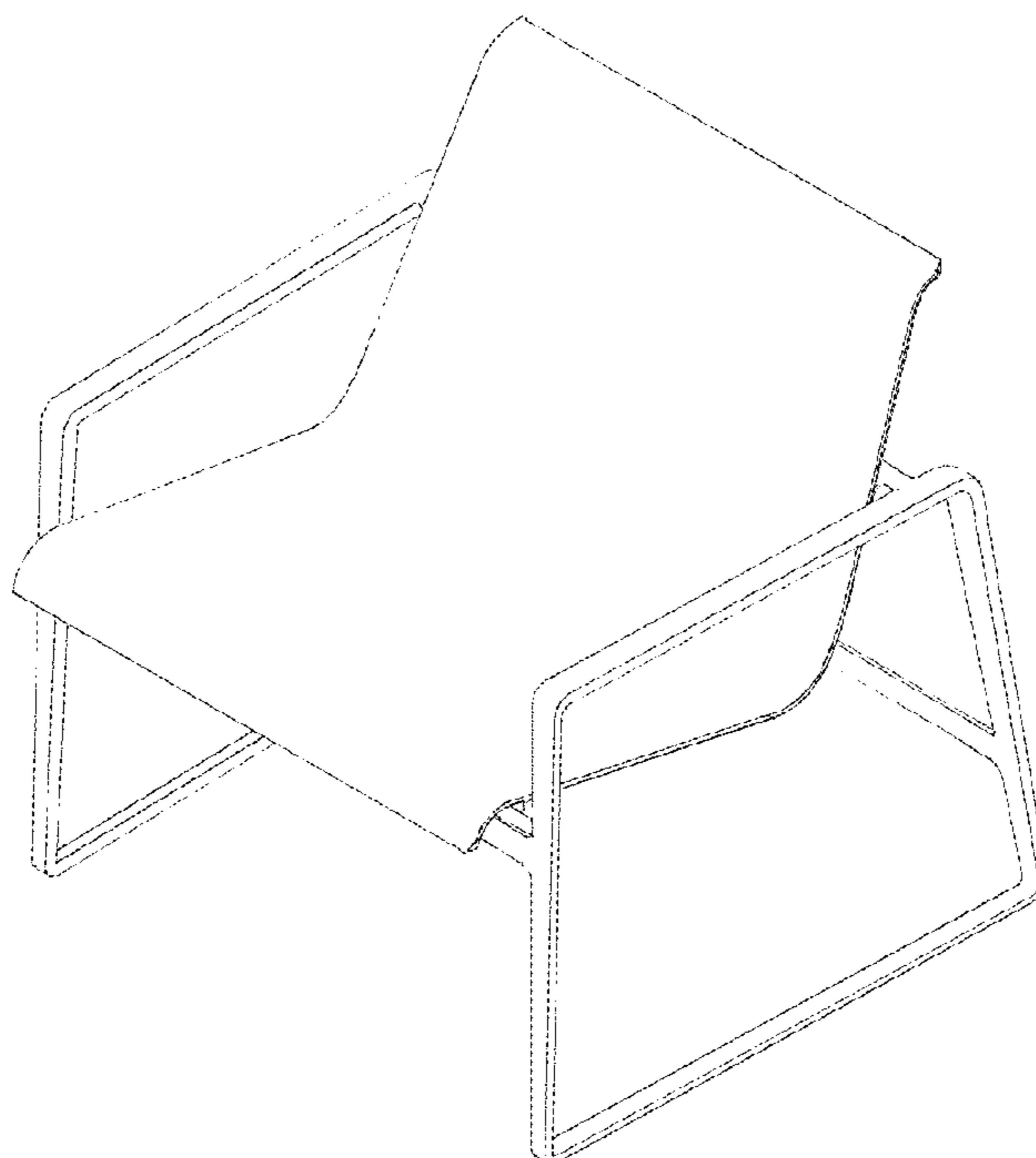
(57) **CLAIM**

The ornamental design for a seat, as shown and described.

**DESCRIPTION**

FIG. 1 is a perspective view of the seat of the present design;  
FIG. 2 is a front elevation view thereof;  
FIG. 3 is a right side elevation view thereof, the left side  
elevation view being a mirror image thereof;  
FIG. 4 is a top plan view thereof; and,  
FIG. 5 is a rear elevation view thereof.

**1 Claim, 5 Drawing Sheets**



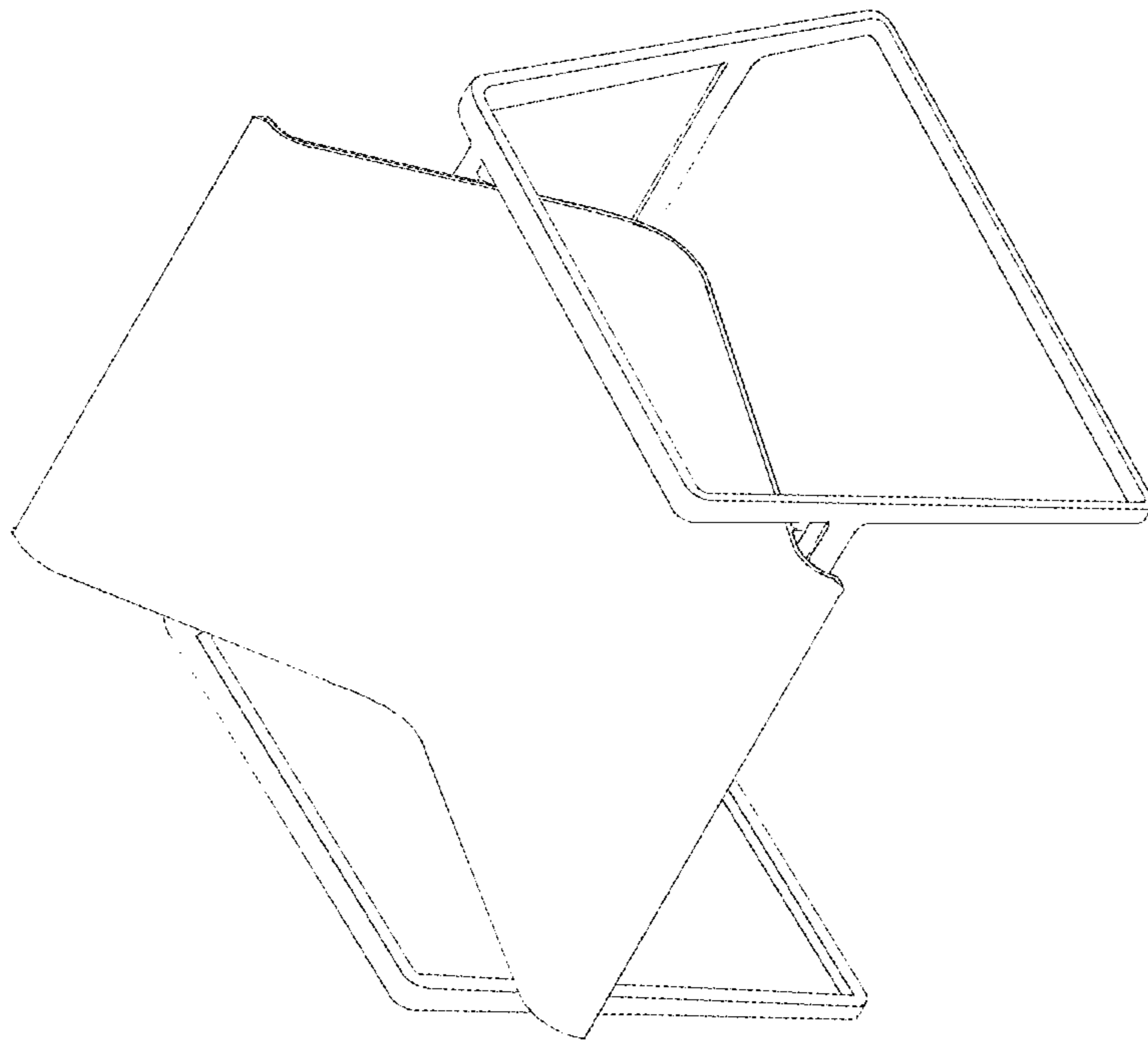


FIGURE 1

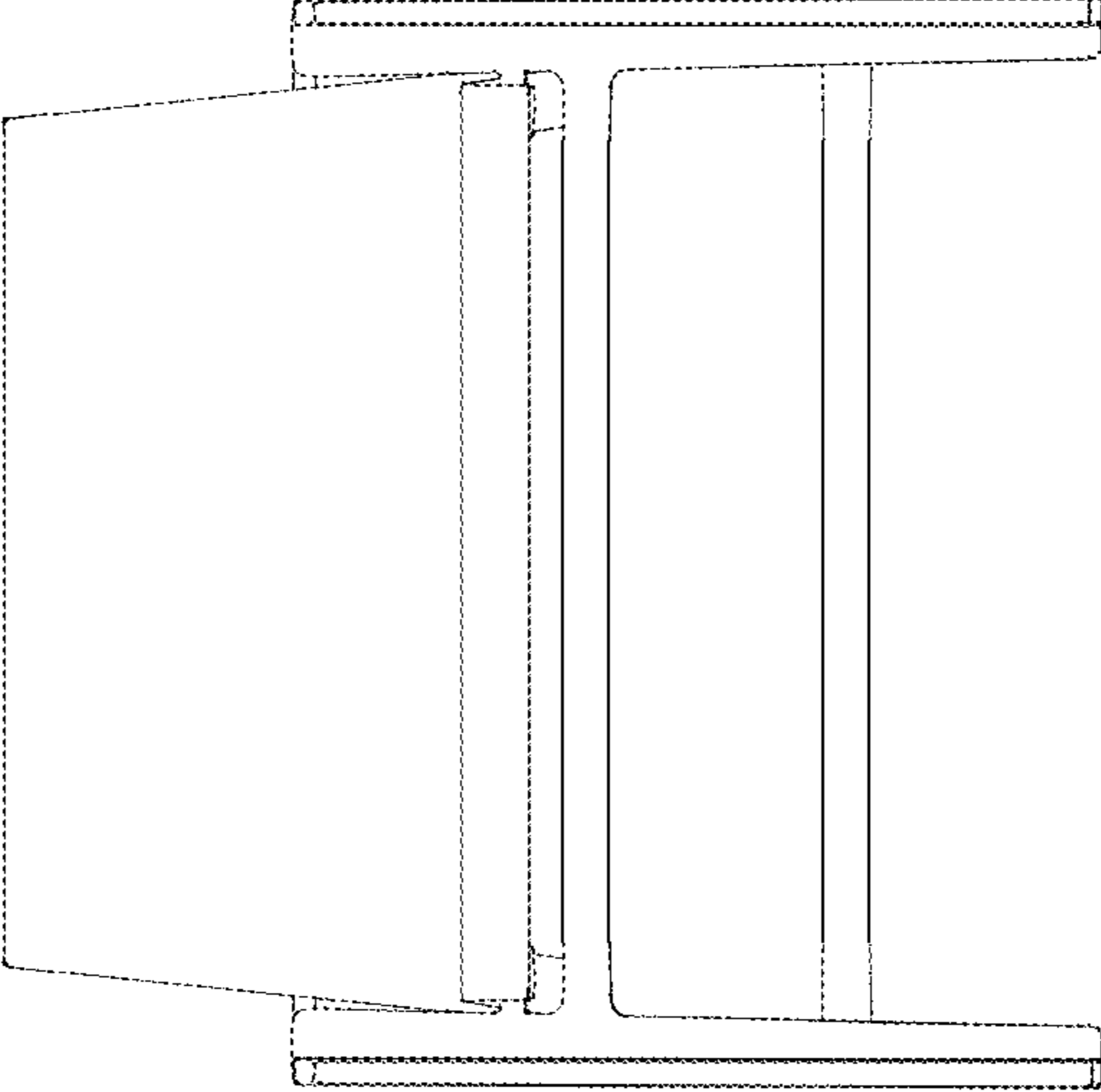


FIGURE 2

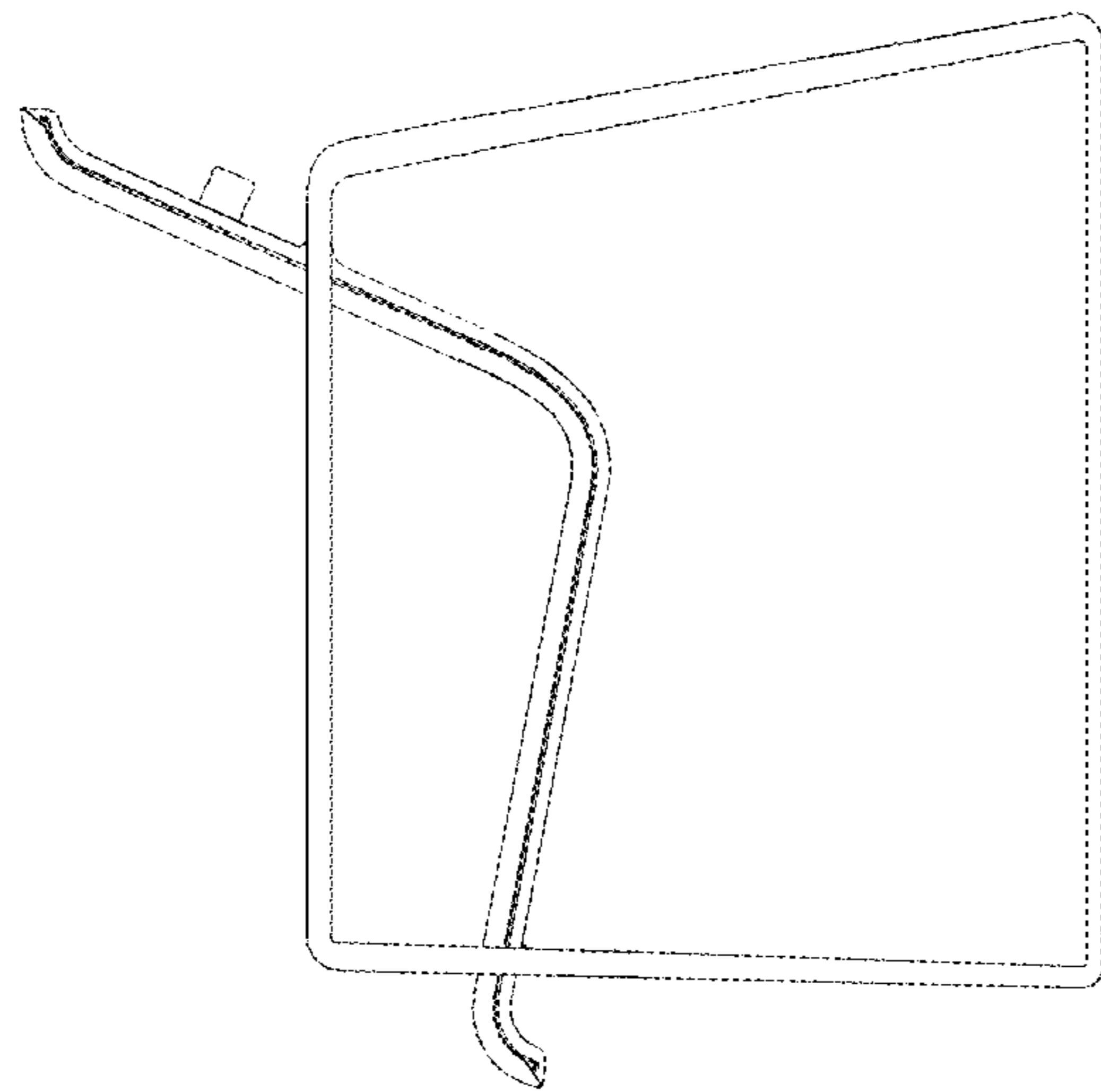


FIGURE 3

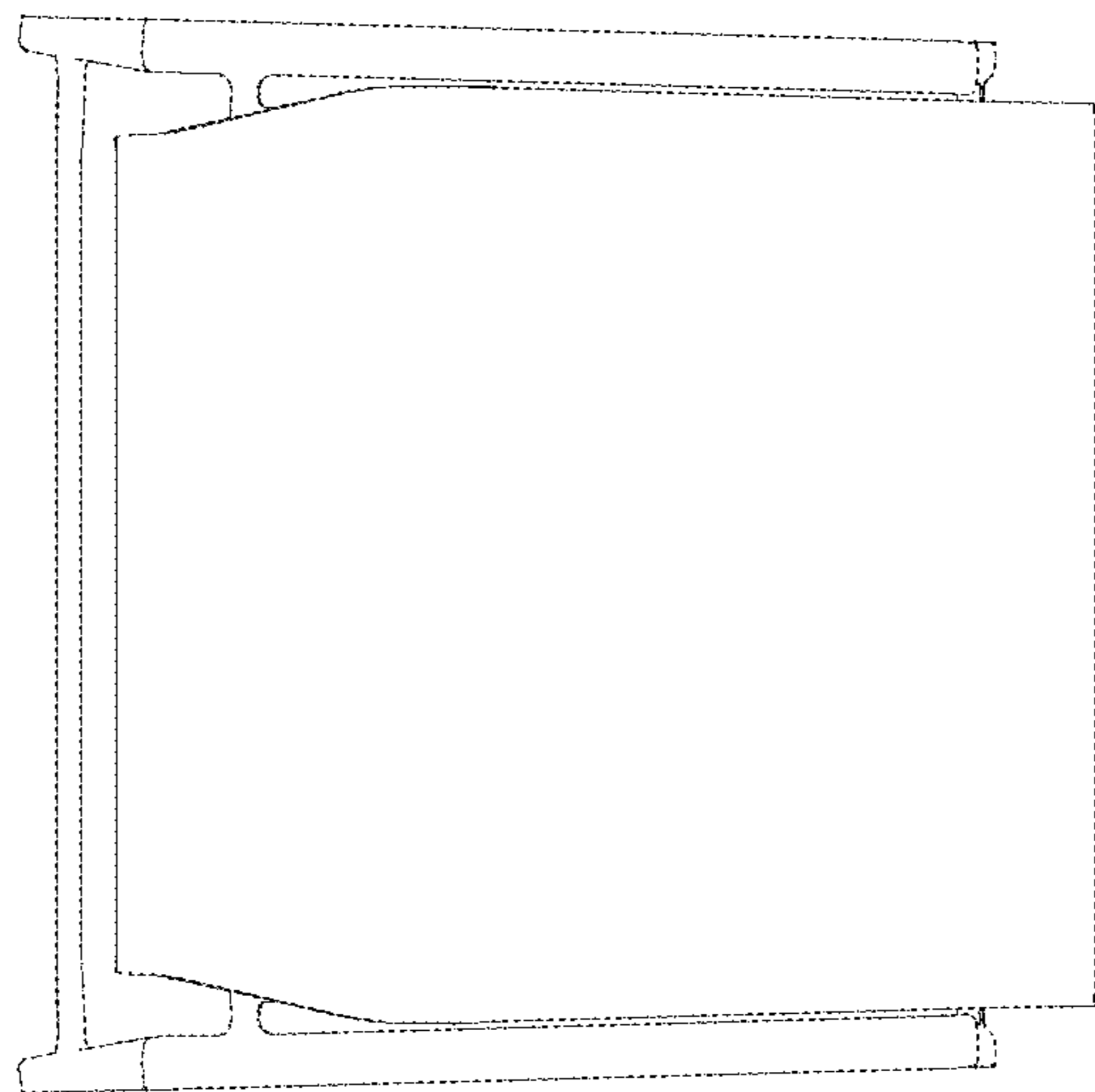


FIGURE 4

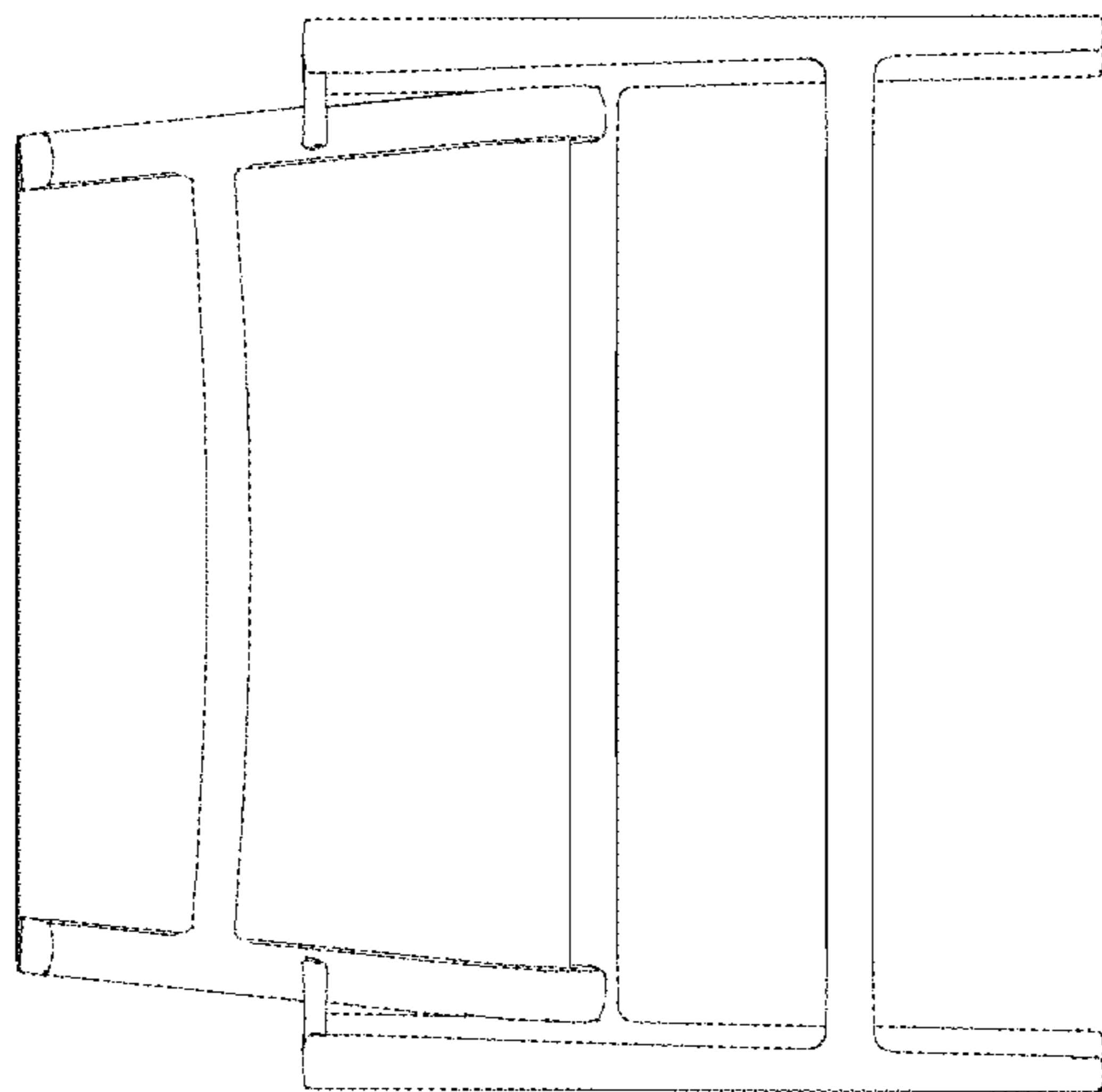


FIGURE 5