



US00D767908S

(12) **United States Design Patent** (10) **Patent No.:** **US D767,908 S**
Berry et al. (45) **Date of Patent:** **** Oct. 4, 2016**

(54) **SEATING FOR A TRANSPORT VEHICLE**

(71) Applicant: **Etihad Airways**, Abu Dhabi (AE)

(72) Inventors: **Adrian Berry**, London (GB); **Adam White**, London (GB)

(73) Assignee: **Etihad Airways**, Abu Dhabi (AE)

(**) Term: **14 Years**

(21) Appl. No.: **29/469,797**

(22) Filed: **Oct. 15, 2013**

(30) **Foreign Application Priority Data**

Apr. 15, 2013 (EM) 002220285

(51) **LOC (10) Cl.** **06-01**

(52) **U.S. Cl.**
USPC **D6/336**

(58) **Field of Classification Search**
USPC D6/335, 336, 337, 338, 640, 643, 643.1,
D6/644, 406.1, 406.2, 406.3, 356; 297/94,
297/118, 232, 445.1, 448.1, DIG. 7, DIG. 2;
D12/318, 345, 415, 416; D25/16
CPC A47C 17/00; A47C 17/02; A47C 17/12;
A47C 17/18; A47C 7/021; A47C 31/00;
A47C 3/16

See application file for complete search history.

(56) **References Cited**

U.S. PATENT DOCUMENTS

D148,242 S * 12/1947 Horsewood D6/336
D278,003 S * 3/1985 Gagliano D6/336
D286,956 S * 12/1986 Lockwood D25/16
D558,993 S * 1/2008 Saint-Jalmes D6/356
D591,520 S * 5/2009 Orson D6/356
D617,725 S * 6/2010 Collins D12/345
D661,116 S * 6/2012 Darbyshire D6/356

D713,160 S * 9/2014 Roberts D6/356
D715,066 S * 10/2014 Nicholas D6/356
D718,945 S * 12/2014 Nicholas D6/356
2005/0108954 A1 * 5/2005 Sola E04H 1/125
52/79.1
2007/0040434 A1 * 2/2007 Plant B60N 2/34
297/354.13
2009/0146005 A1 * 6/2009 Bettell B64D 11/06
244/118.6

* cited by examiner

Primary Examiner — Sandra Snapp

(74) *Attorney, Agent, or Firm* — Fredrikson & Byron,
P.A.

(57) **CLAIM**

We claim the ornamental design for a seating for a transport vehicle, as shown and described.

DESCRIPTION

FIG. 1 is a top perspective of our new design for a seating for a transport vehicle with a table in a deployed configuration;

FIG. 2 is a top view thereof;

FIG. 3 is a bottom view thereof;

FIG. 4 is a front view thereof;

FIG. 5 is a rear view thereof;

FIG. 6 is a side view thereof;

FIG. 7 is an opposite side view thereof;

FIG. 8 is a top perspective of our new design for a seating for a transport vehicle with a table in a stowed configuration;

FIG. 9 is a top view thereof;

FIG. 10 is a bottom view thereof;

FIG. 11 is a front view thereof;

FIG. 12 is a rear view thereof;

FIG. 13 is a side view thereof; and,

FIG. 14 is an opposite side view thereof.

The broken lines form no part of the claimed design.

1 Claim, 14 Drawing Sheets

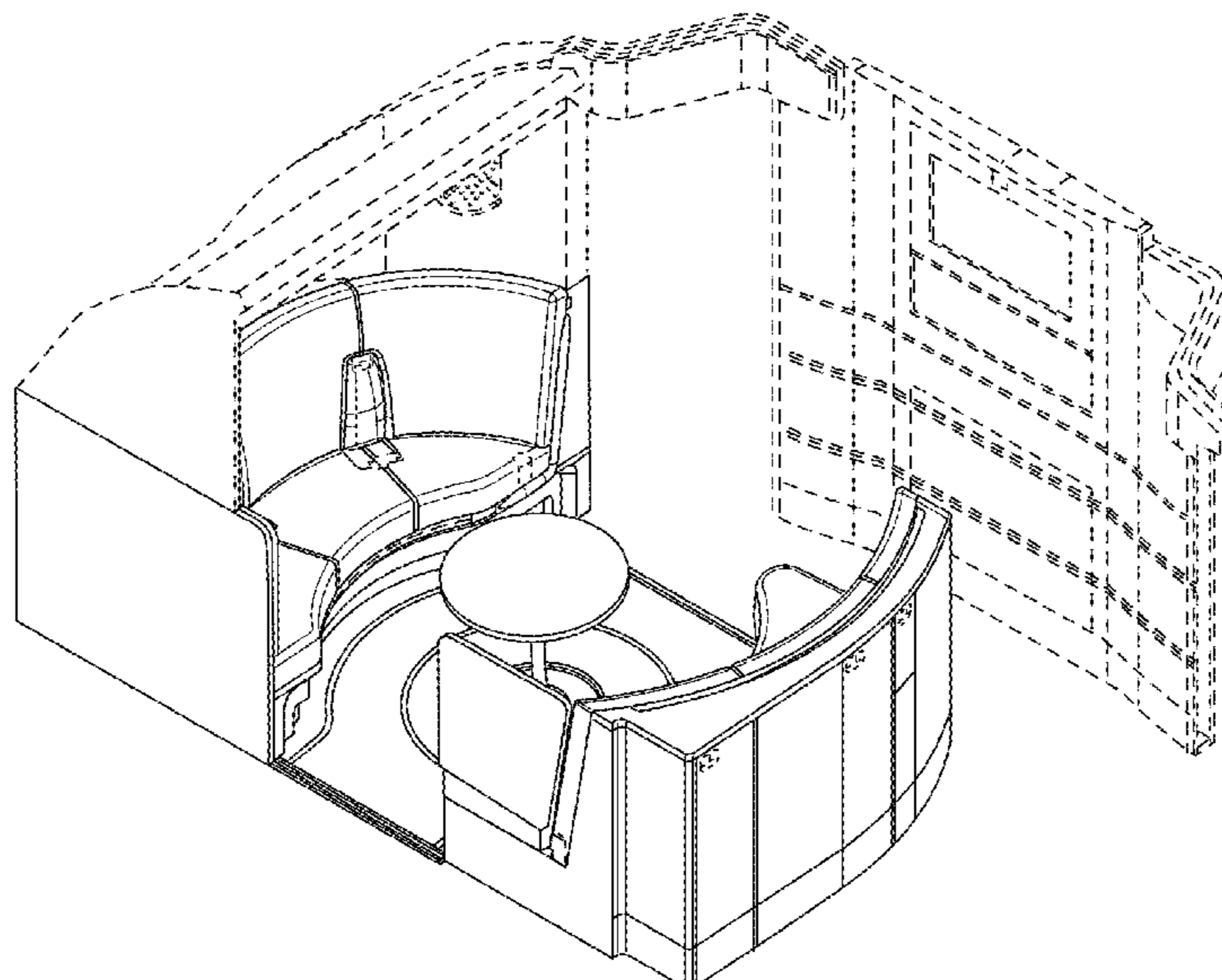
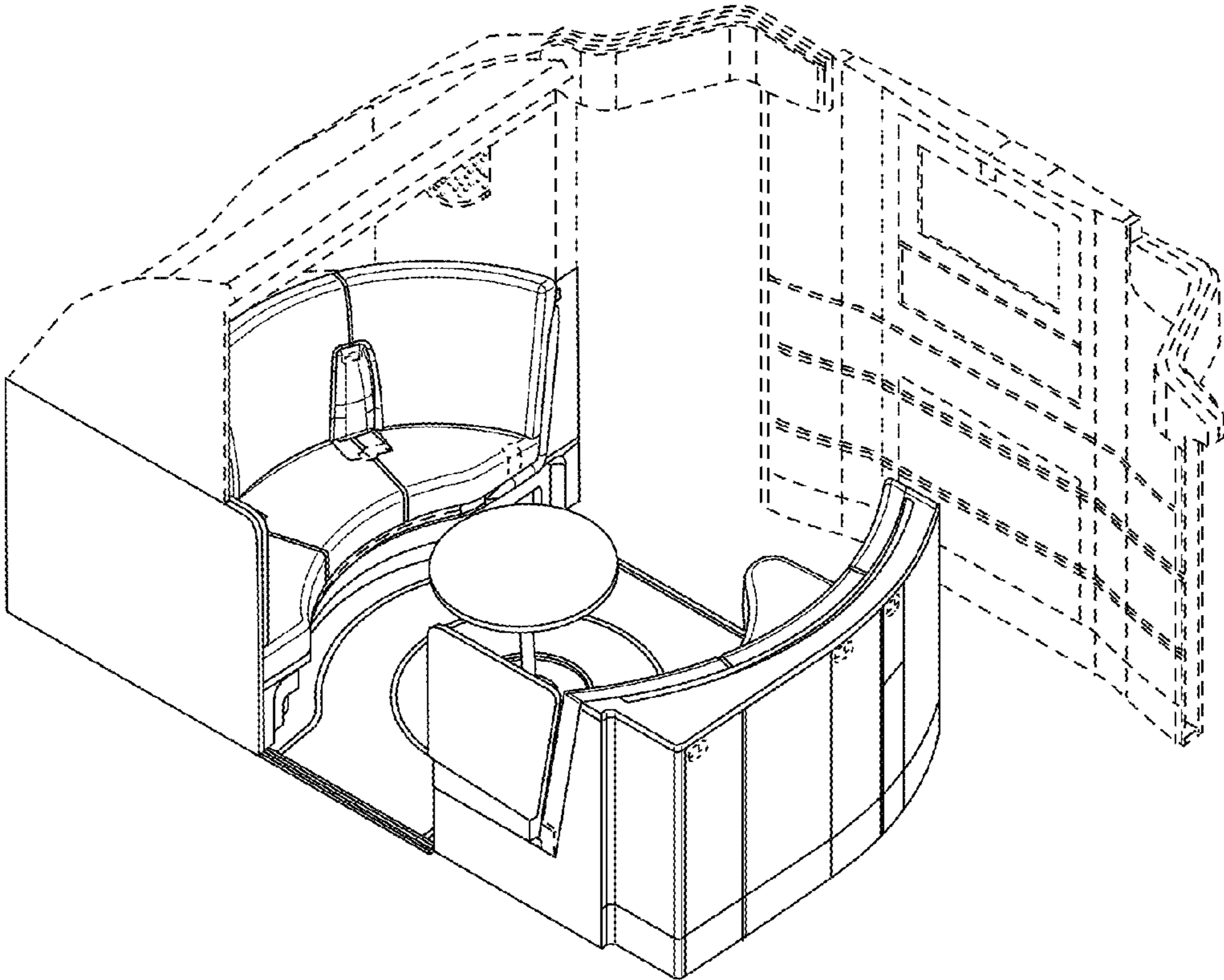


Fig. 1



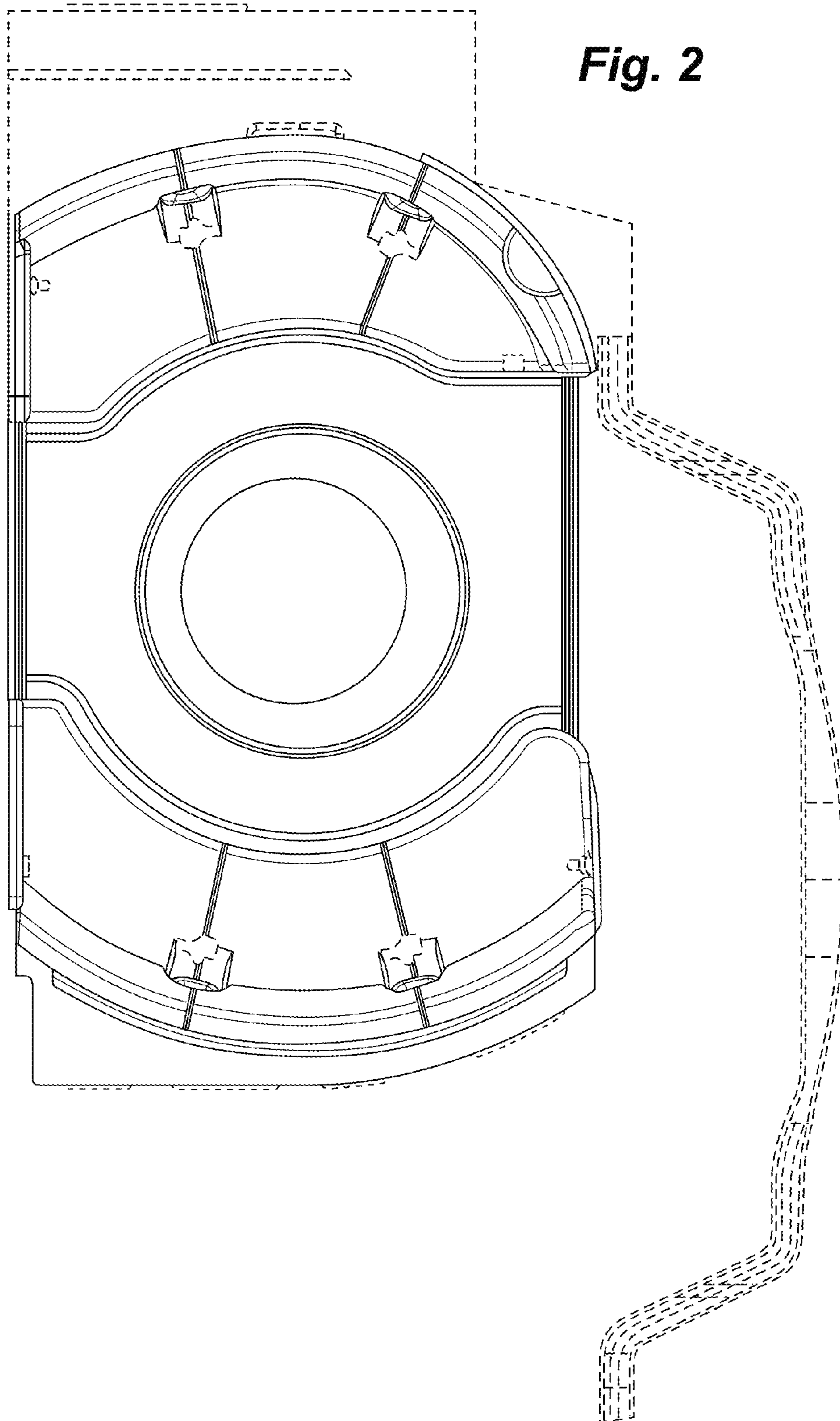


Fig. 3

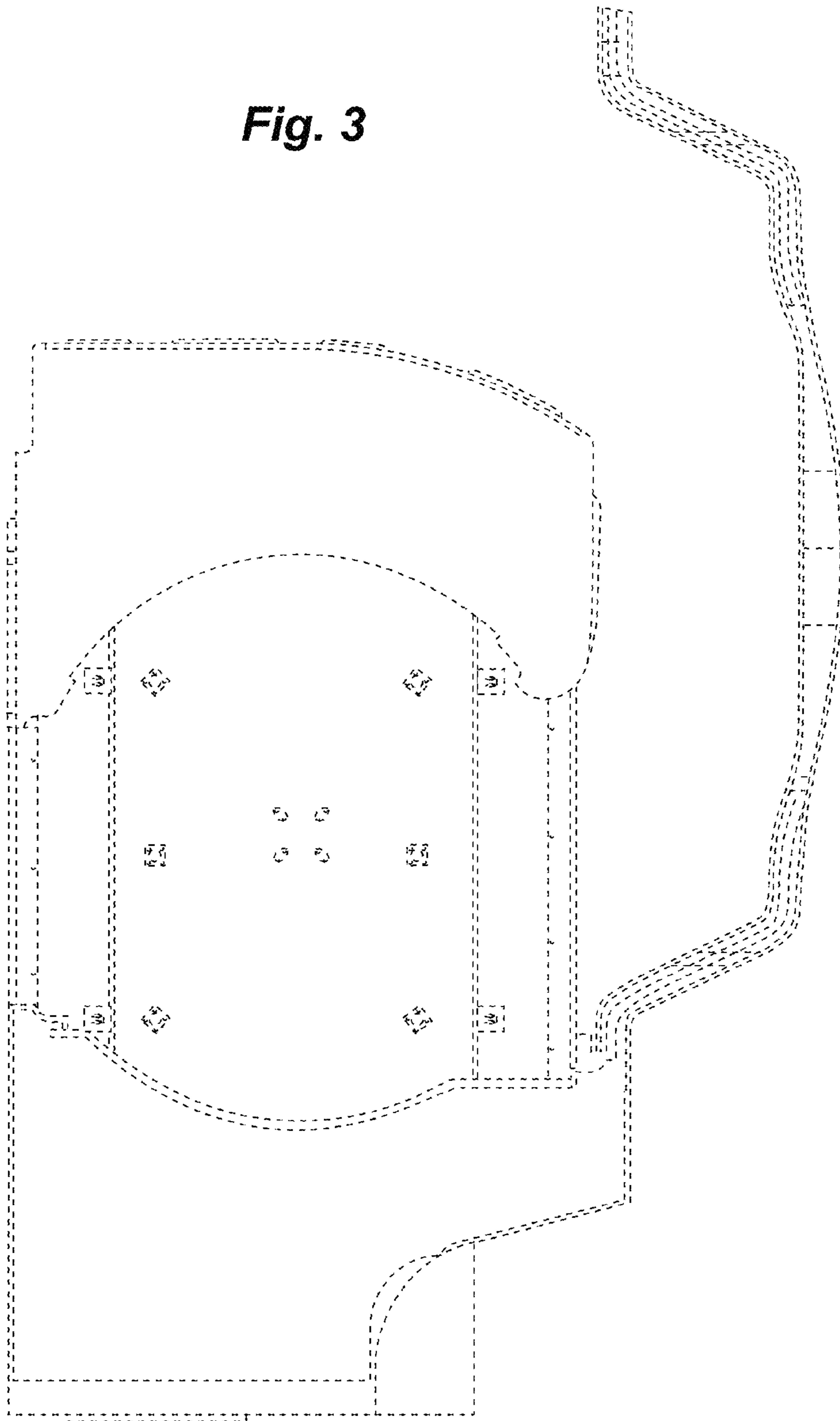


Fig. 4

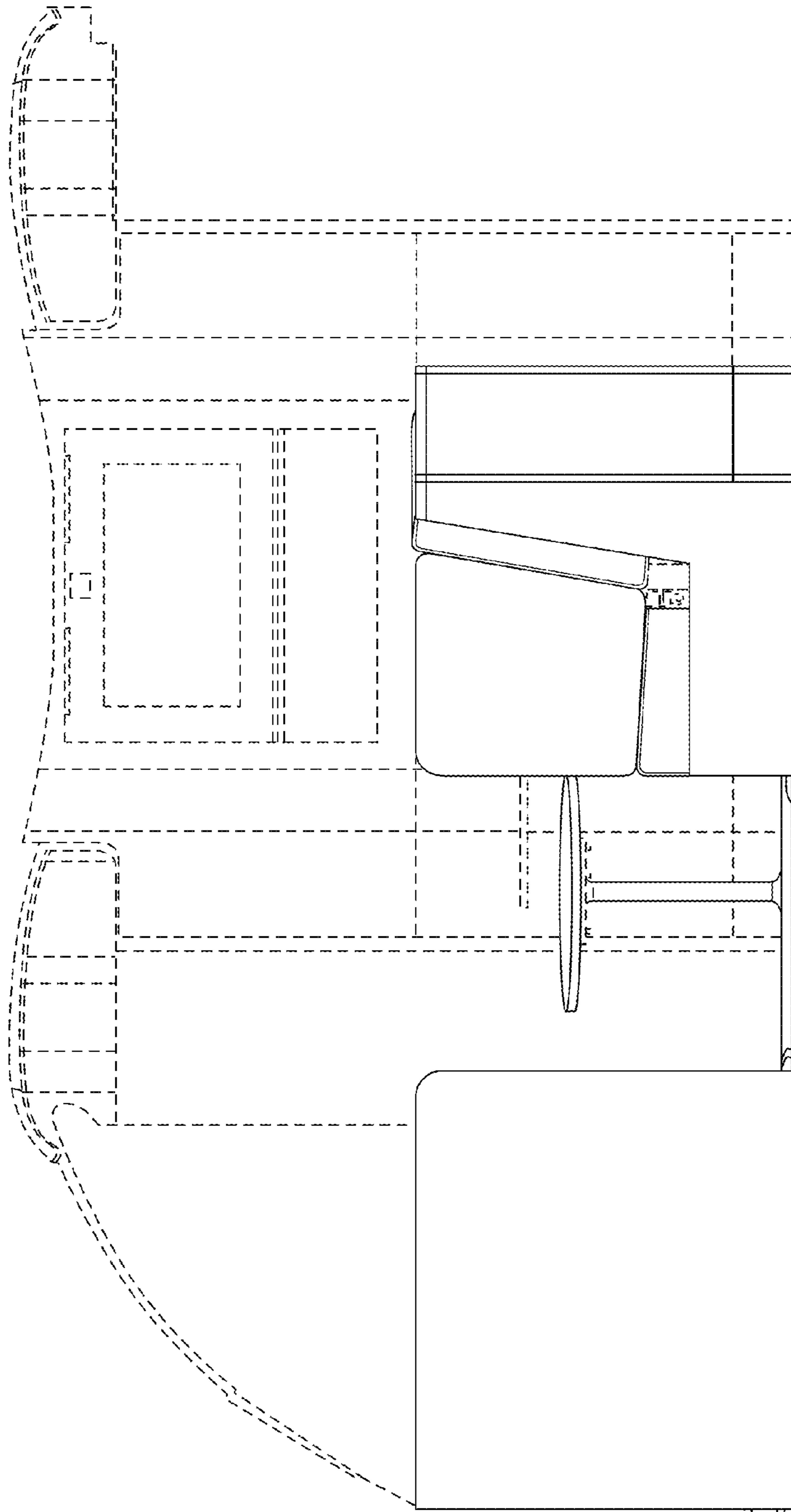


Fig. 5

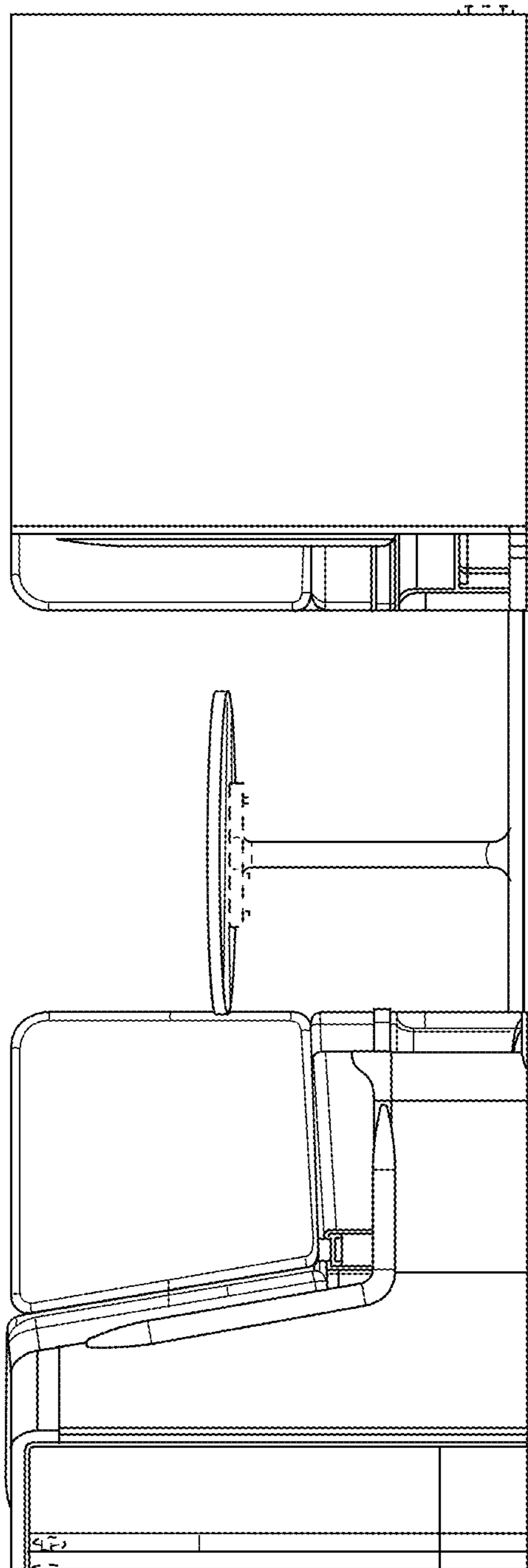


Fig. 6

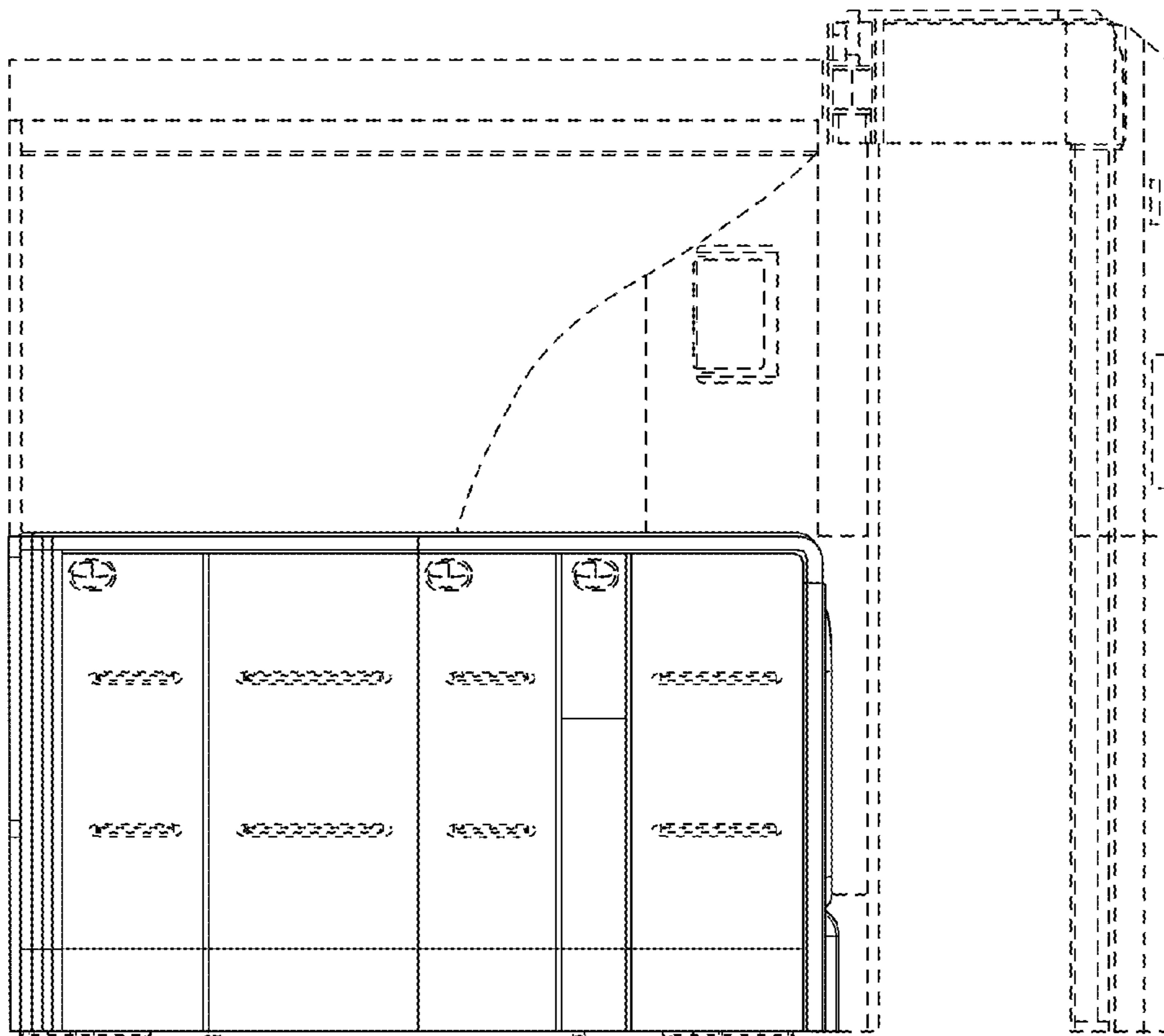


Fig. 7

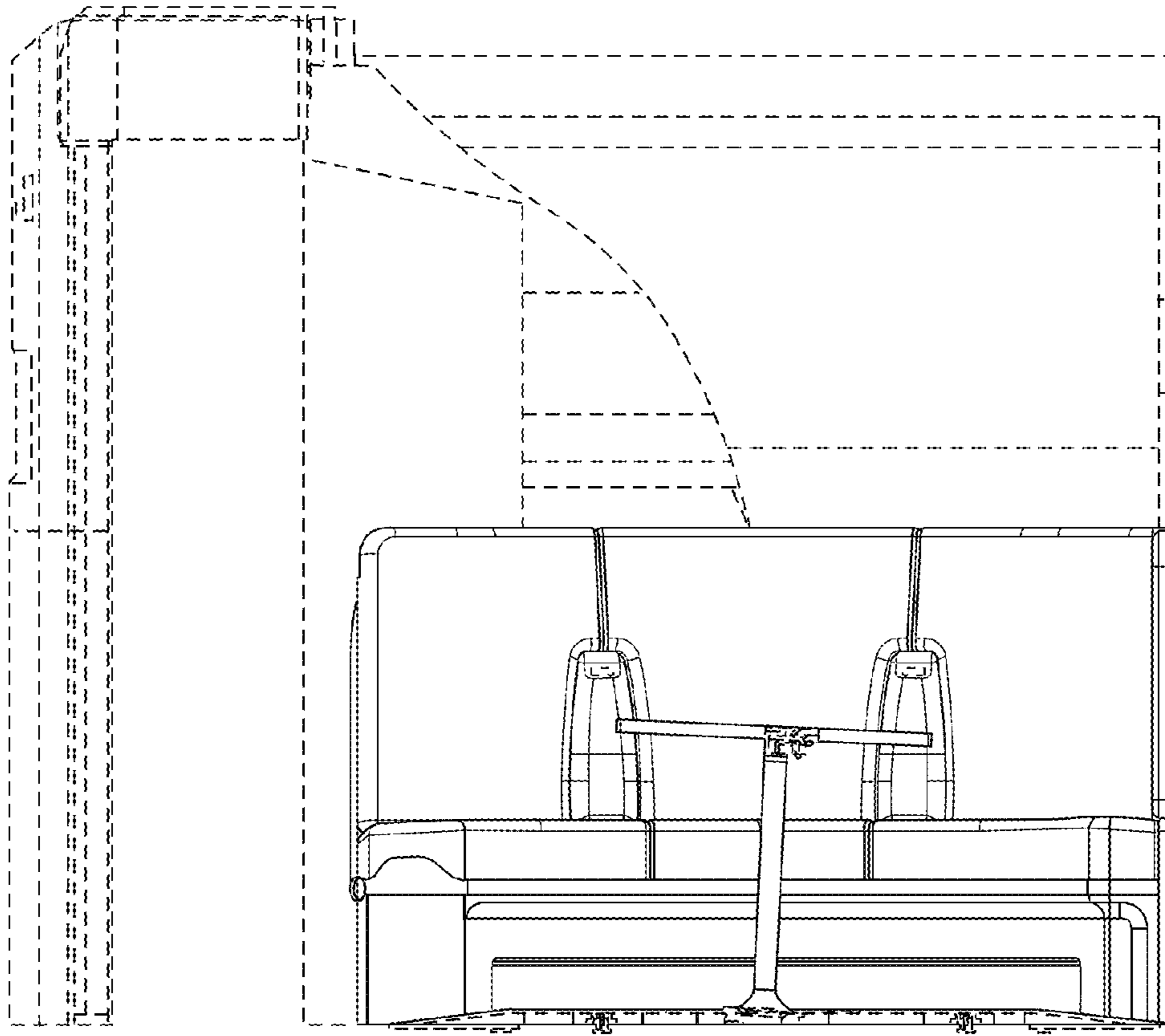
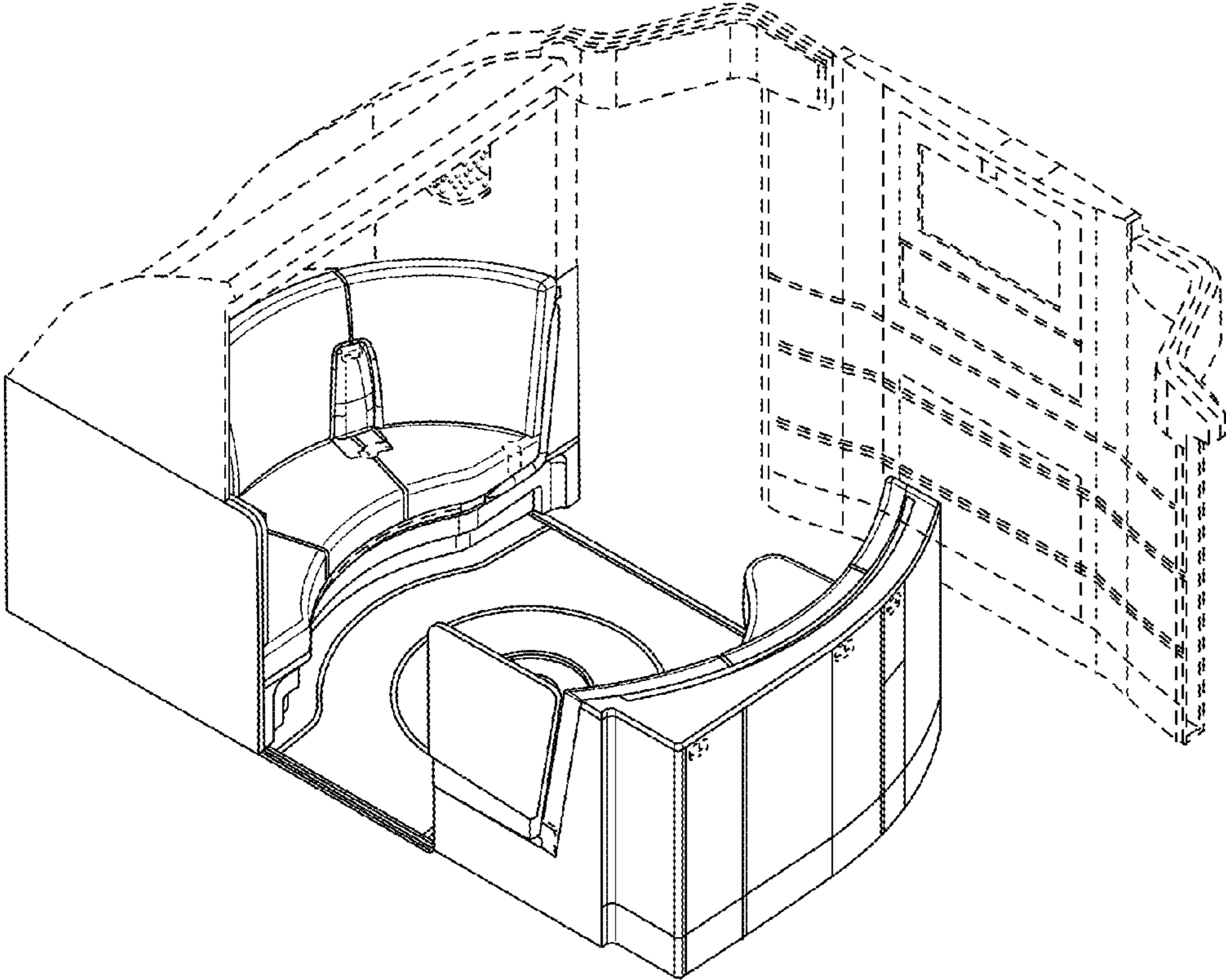


Fig. 8



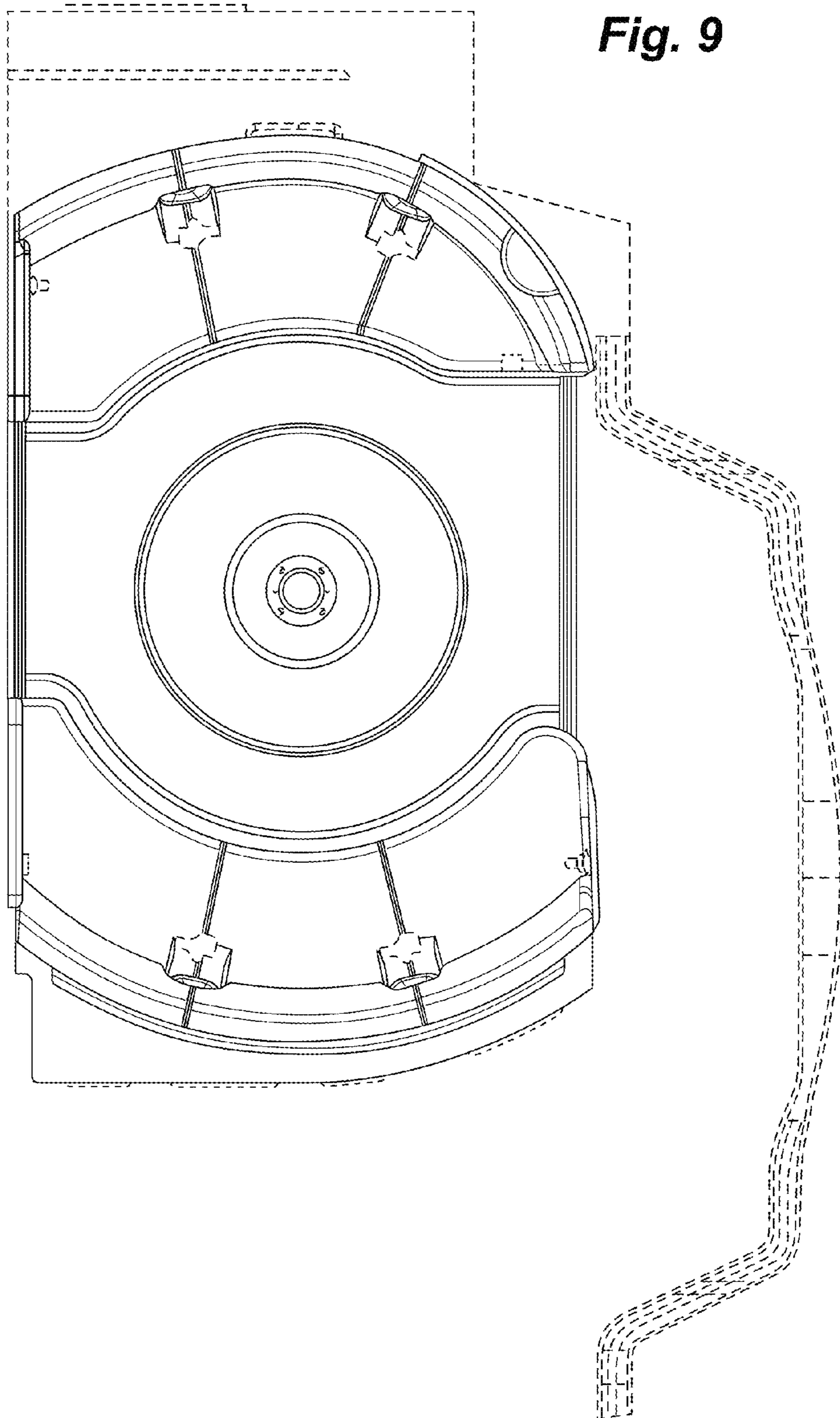


Fig. 10

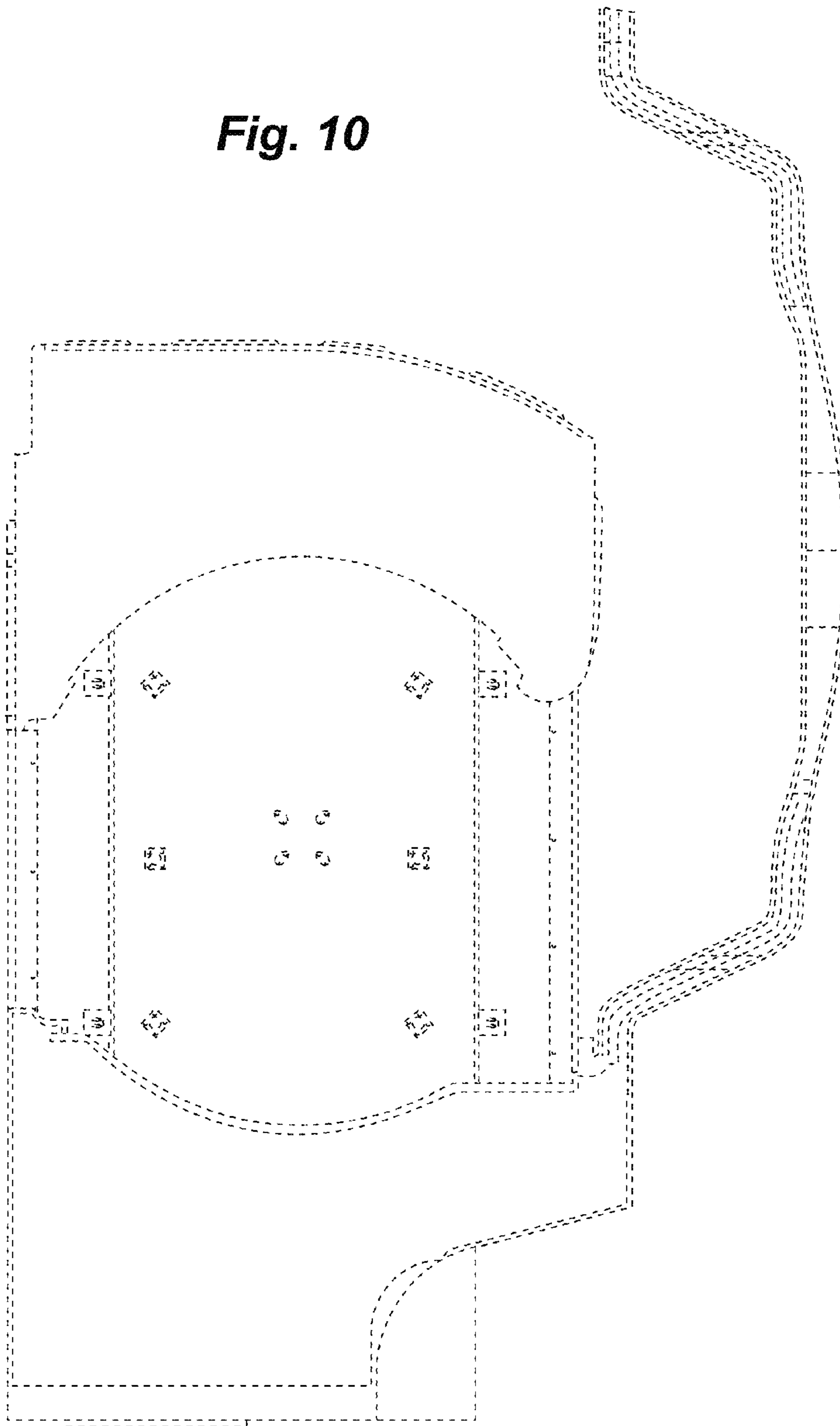


Fig. 11

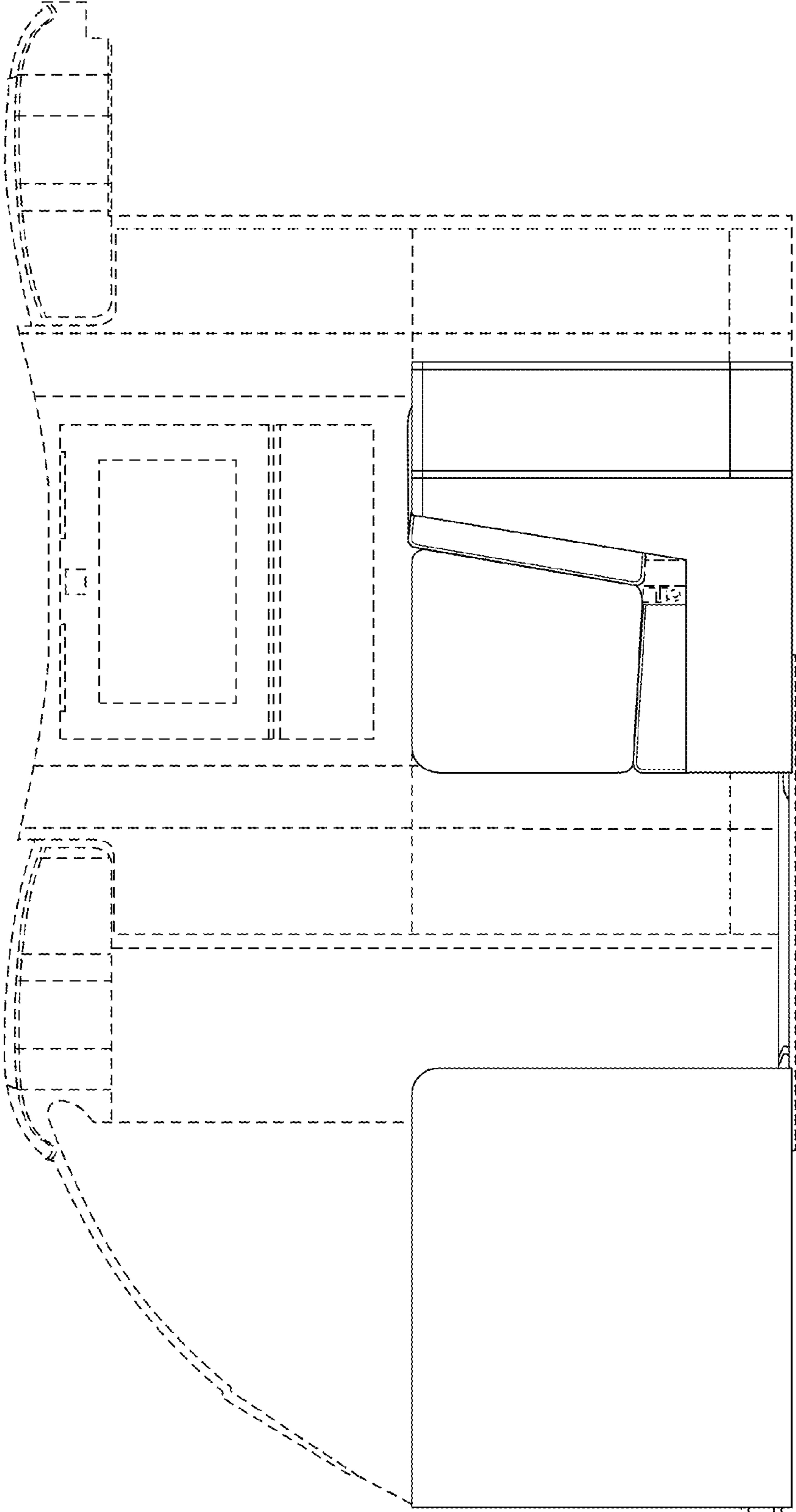


Fig. 12

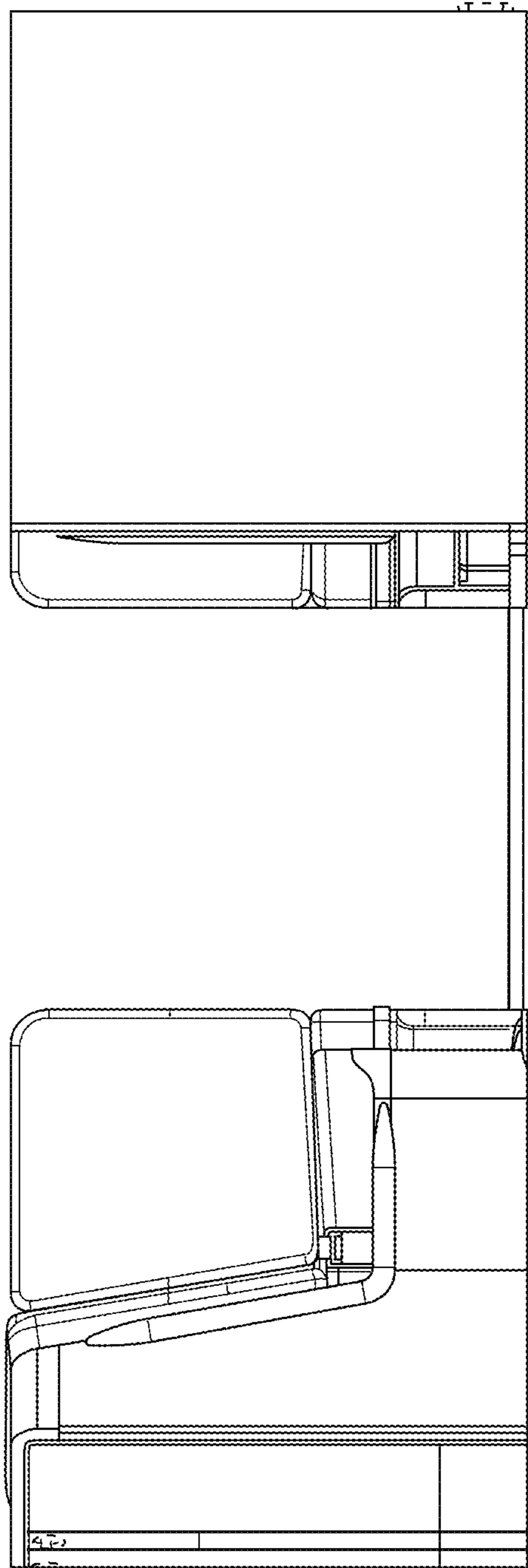


Fig. 13

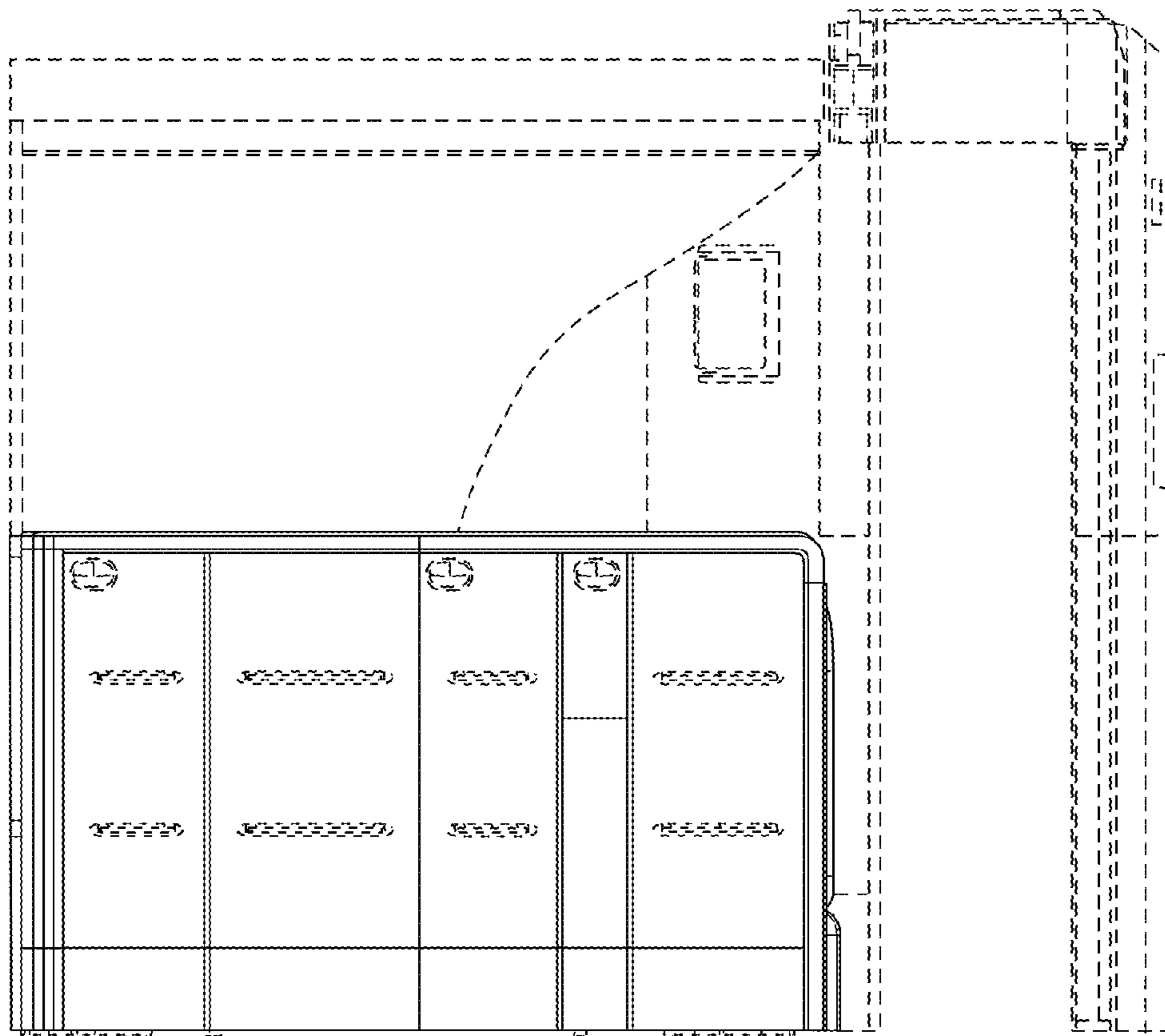


Fig. 14

