

US00D767907S

(12) **United States Design Patent**  
**Goodman et al.**

(10) **Patent No.:** **US D767,907 S**  
(45) **Date of Patent:** **\*\* Oct. 4, 2016**

(54) **HANDBAG ORGANIZER**

(71) Applicant: **Spectrum Diversified Designs, Inc.**,  
Streetsboro, OH (US)

(72) Inventors: **Sheldon H. Goodman**, Solon, OH  
(US); **Phaysouk Xayoiphonh**, Akron,  
OH (US); **Christopher Francis Boron**,  
North Ridgeville, OH (US)

(73) Assignee: **Spectrum Diversified Designs, LLC**,  
Streetsboro, OH (US)

(\*\*) Term: **14 Years**

(21) Appl. No.: **29/507,722**

(22) Filed: **Oct. 30, 2014**

(51) **LOC (10) Cl.** ..... **06-08**

(52) **U.S. Cl.**

USPC ..... **D6/323**

(58) **Field of Classification Search**

USPC ..... D6/315-328; 223/85-98; 211/10, 13.1,  
211/85.2, 86.01, 87.01, 113; D8/356, 367,  
D8/372

CPC .... A47G 25/32; A47G 25/28; A47G 25/743;  
A47G 25/26; A47G 25/30; A47G 25/1442;  
A47G 25/06; A47G 25/38; A47G 25/50;  
A47G 25/06; A47G 25/74; A47G 25/1414;  
A47G 25/34; A47G 29/08; A47G 29/00;  
A47F 5/0006; A47F 7/19; A47F 7/12

See application file for complete search history.

(56) **References Cited**

**U.S. PATENT DOCUMENTS**

429,421 A \* 6/1890 Coit ..... F16L 3/2235  
211/60.1  
887,272 A \* 5/1908 Robinson ..... F16L 3/2235  
211/60.1

D228,737 S \* 10/1973 Mathews ..... D8/356  
D377,309 S \* 1/1997 Hofman ..... D8/372  
D421,713 S \* 3/2000 Snell ..... D6/327  
D609,080 S \* 2/2010 Schorn ..... D6/552  
D617,998 S \* 6/2010 Goodman ..... D6/323  
D624,758 S \* 10/2010 Seehoff ..... D6/323

**OTHER PUBLICATIONS**

www.amazon.com/InterDesign-Over-Purse-Holder-Clear/dp/  
Boo7QCSSLWY, Dec. 23, 2015 pp. 1-6.

\* cited by examiner

*Primary Examiner* — Derrick Holland

*Assistant Examiner* — Lauren Calve

(74) *Attorney, Agent, or Firm* — Benesch Friedlander  
Coplan & Aronoff LLP

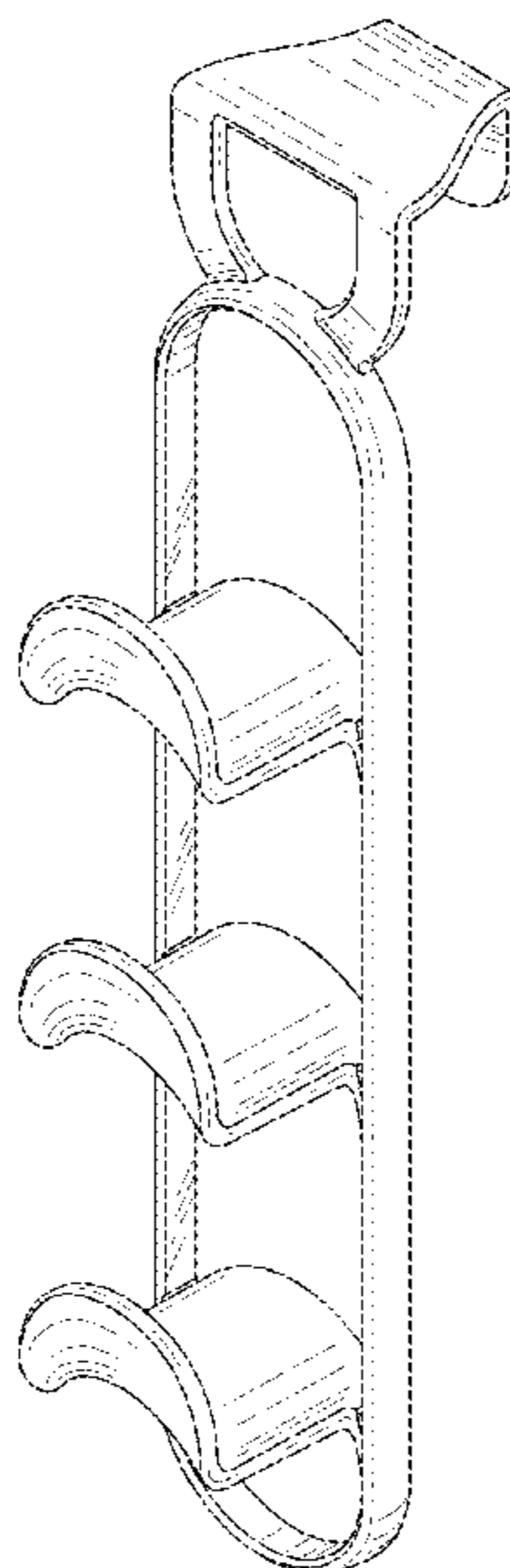
(57) **CLAIM**

What is claimed is the ornamental design for a handbag  
organizer, as shown and described.

**DESCRIPTION**

FIG. 1 is a perspective view of a handbag organizer showing  
a new design;  
FIG. 2 is a front view of the handbag organizer of FIG. 1;  
FIG. 3 is a rear view of the handbag organizer of FIG. 1;  
FIG. 4 is a top view of the handbag organizer of FIG. 1;  
FIG. 5 is a bottom view of the handbag organizer of FIG. 1;  
FIG. 6 is a rear view of the handbag organizer of FIG. 1; and,  
FIG. 7 is a right side view of the handbag organizer of FIG.  
1.

**1 Claim, 3 Drawing Sheets**



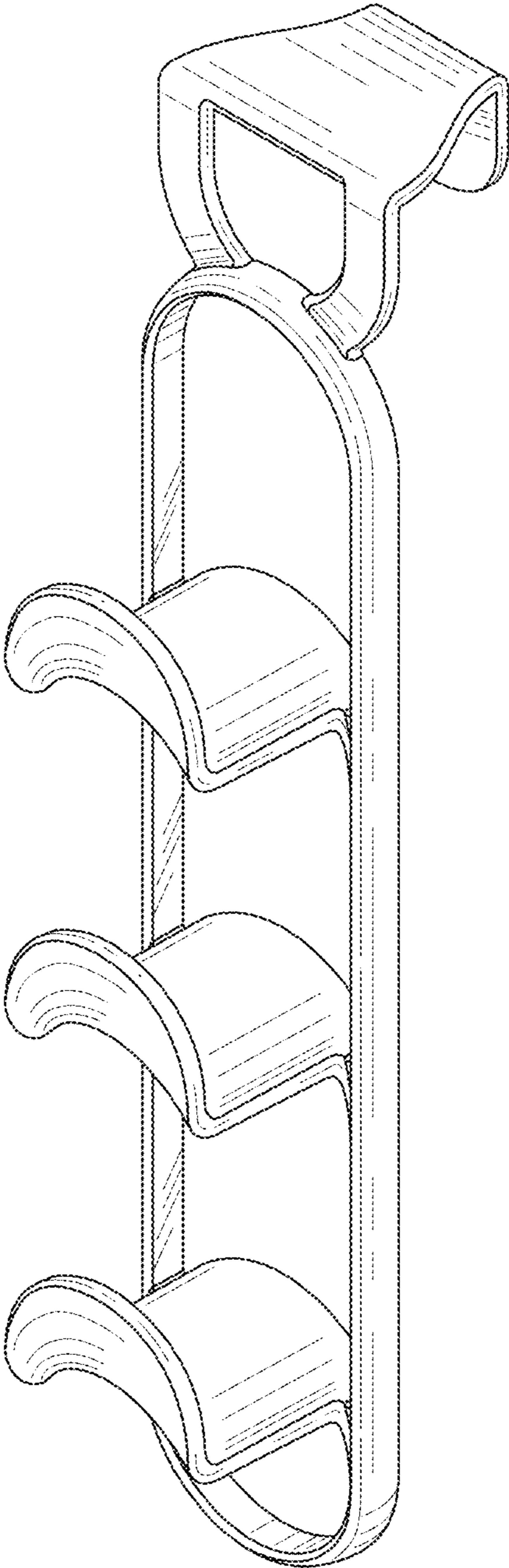


FIG 1

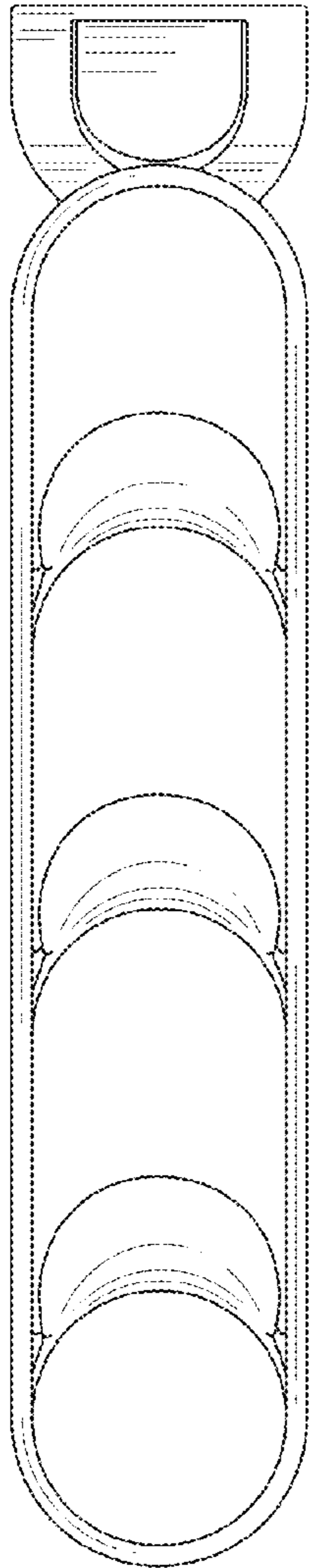


FIG 2

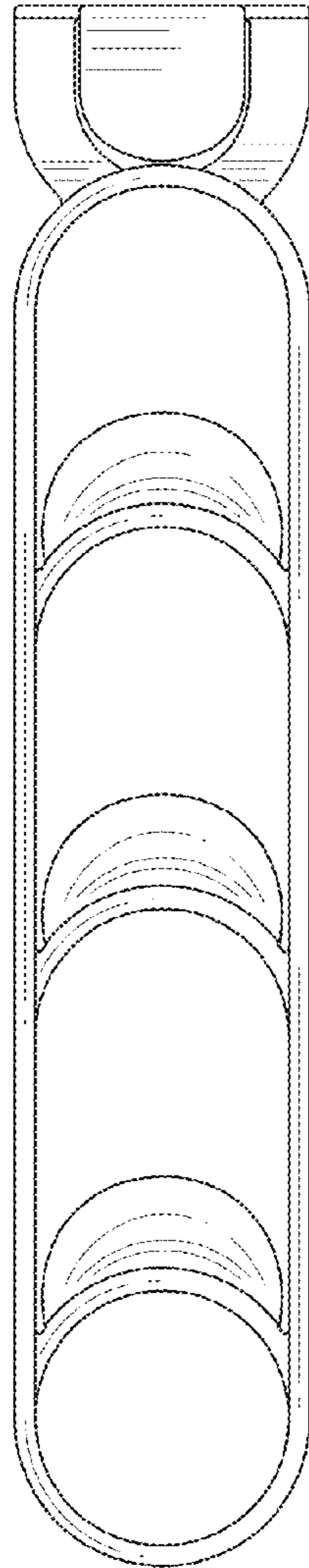


FIG 3

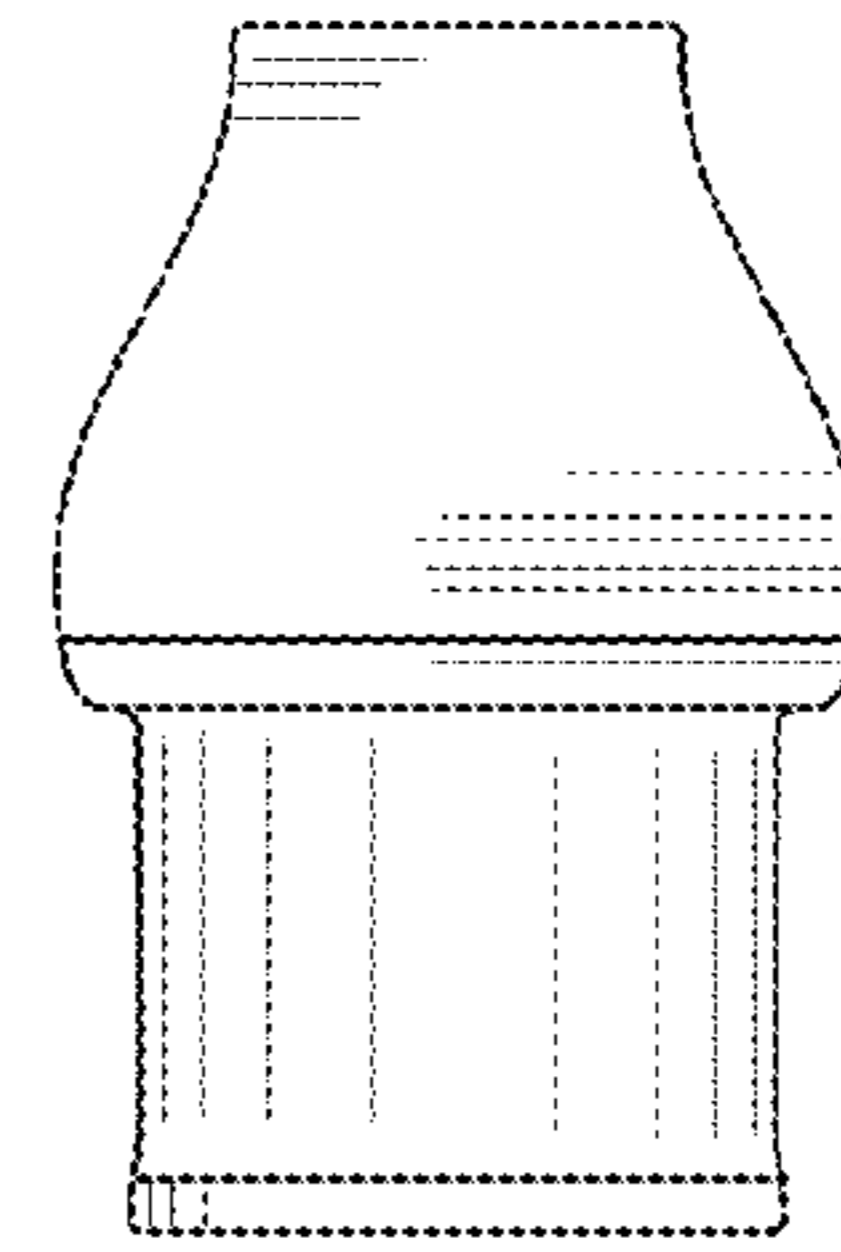


FIG 4

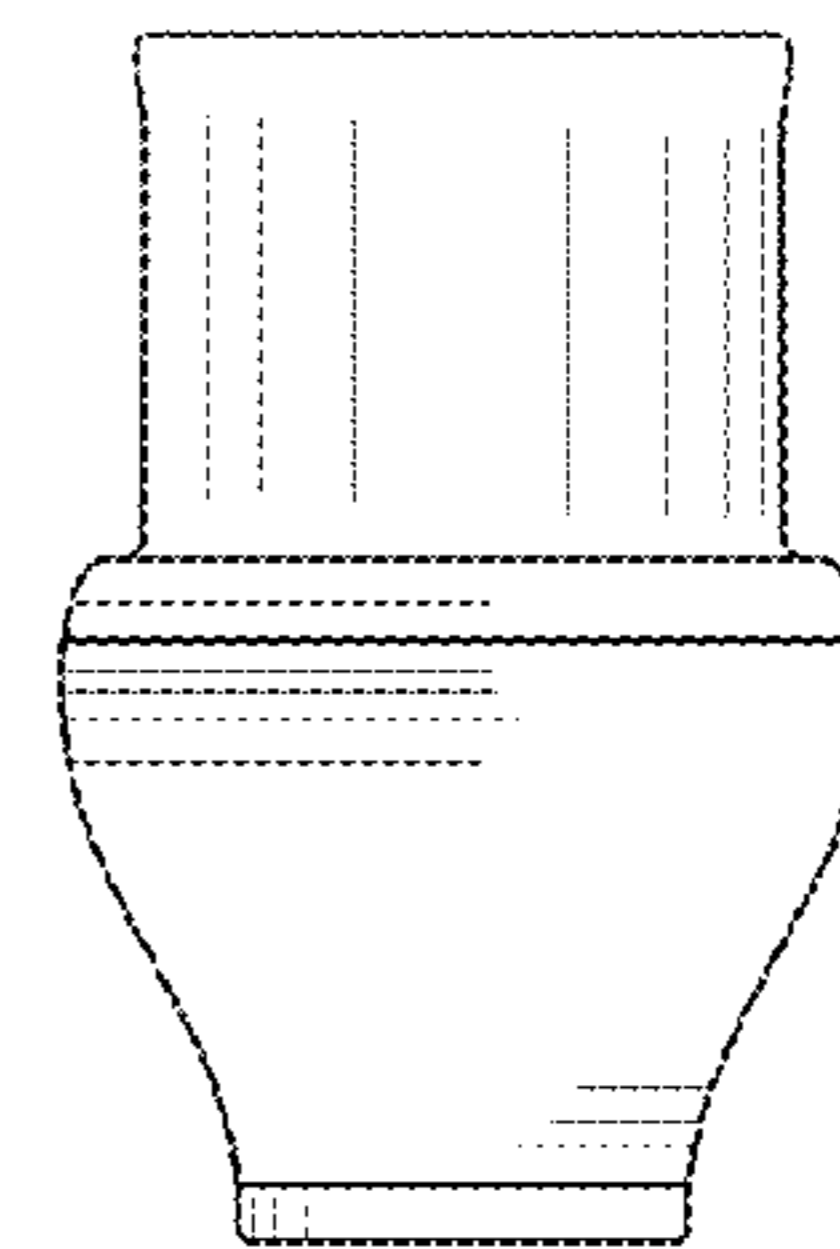


FIG 5

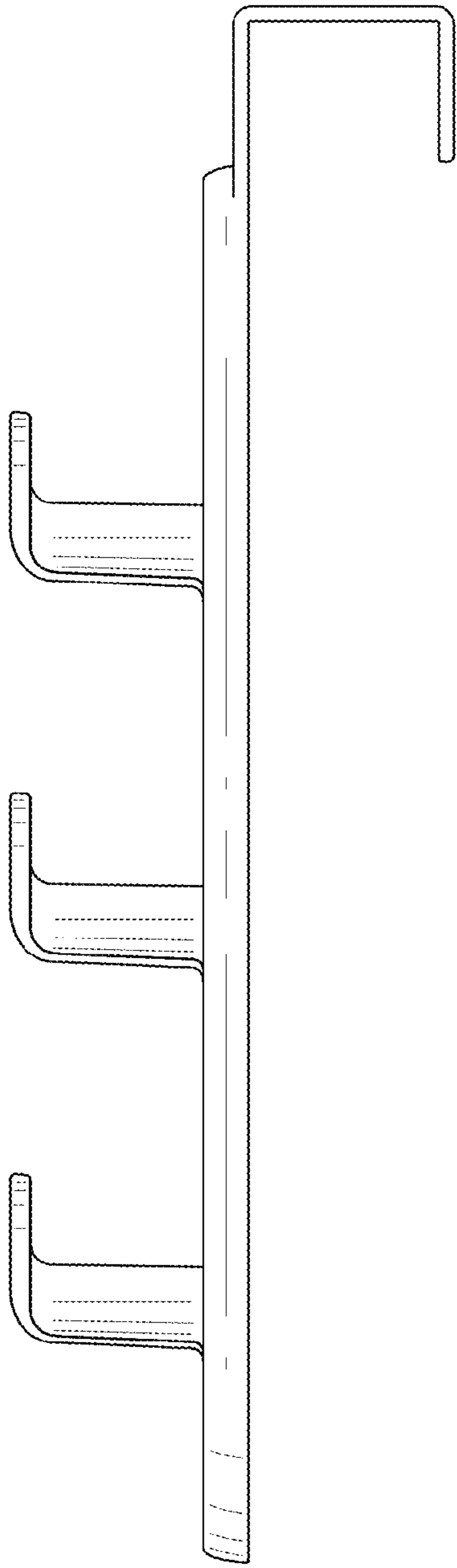


FIG 6

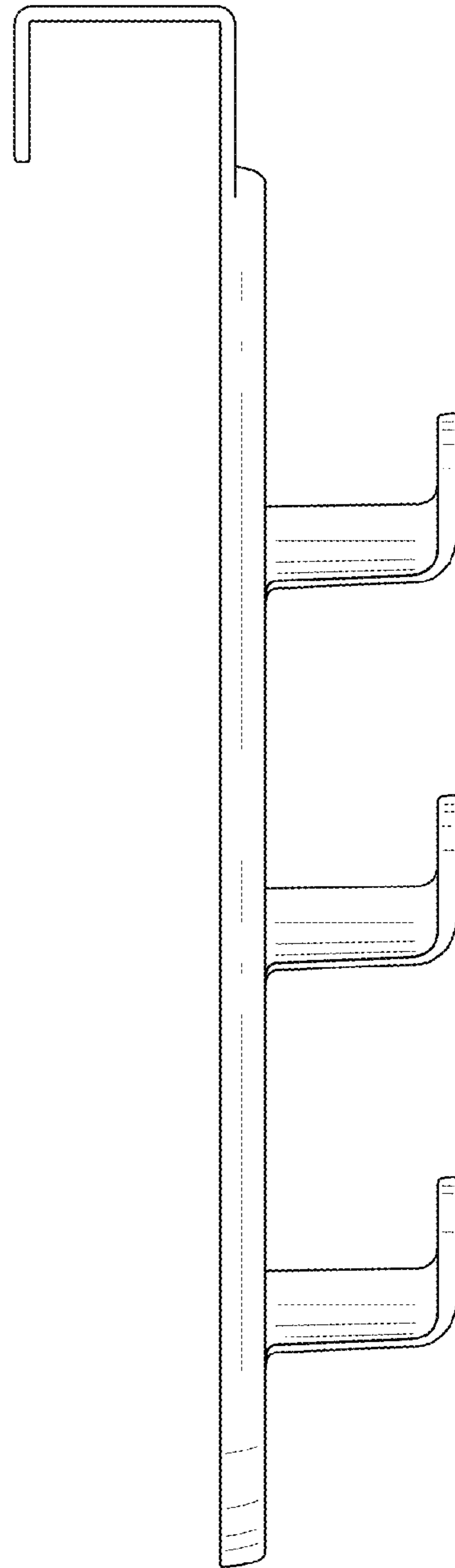


FIG 7