



US00D767900S

(12) **United States Design Patent**  
**Kalbfeld**

(10) **Patent No.:** **US D767,900 S**  
(45) **Date of Patent:** **\*\* Oct. 4, 2016**

- (54) **INTERDENTAL BRUSH**
- (71) Applicant: **LeedTech Resources Company**,  
Naperville, IL (US)
- (72) Inventor: **Russell G. Kalbfeld**, Naperville, IL  
(US)
- (73) Assignee: **LeedTech Resources Company, LLC**,  
Naperville, IL (US)
- (\*\*) Term: **14 Years**
- (21) Appl. No.: **29/519,268**
- (22) Filed: **Mar. 3, 2015**
- (51) **LOC (10) Cl.** ..... **04-02**
- (52) **U.S. Cl.**  
USPC ..... **D4/111; D4/128; D4/136**
- (58) **Field of Classification Search**  
USPC ..... D4/111, 128, 136, 131, 104-110, 112;  
15/167.1, 27, 167.2, 186-188, 104.94;  
D24/152, 133, 146, 147, 194; D28/68,  
D28/65; D10/57; 132/321, 329, 216, 218,  
132/317, 308, 309, 325, 322; 433/80, 89,  
433/102, 141, 216, 118, 166, 149, 224, 81;  
264/138, 155, 250, 160; 401/290  
CPC ..... A46B 1/00; A46B 3/00; A46B 3/005;  
A46B 3/02; A46B 3/04; A46B 3/06; A46B  
5/0062; A46B 2200/1066; A46B 2200/1073;  
A46B 2200/108; A46B 2200/1086; A61C  
15/00; A61C 15/02; A61C 15/046; A61C  
15/047; A61C 15/048  
See application file for complete search history.

(56) **References Cited**

**U.S. PATENT DOCUMENTS**

- 3,672,378 A \* 6/1972 Silverman ..... A61C 15/02  
132/329
- 5,775,346 A \* 7/1998 Szyszkowski ..... A61C 15/00  
132/321
- D401,869 S \* 12/1998 Tseng ..... D10/57
- 6,085,761 A \* 7/2000 Inaba ..... A61C 15/02  
132/329

- 6,158,444 A 12/2000 Weihrauch
- 6,343,929 B1 \* 2/2002 Fischer ..... A61C 3/005  
433/224
- 6,379,039 B1 \* 4/2002 Tseng ..... G01K 13/002  
374/163
- 6,394,648 B1 \* 5/2002 Tseng ..... G01K 13/002  
374/163
- 6,418,940 B1 \* 7/2002 Tcherny ..... A61C 15/00  
132/321
- 6,419,388 B2 \* 7/2002 Lee ..... G01K 13/002  
374/185
- 6,468,080 B1 \* 10/2002 Fischer ..... A61C 5/127  
433/149
- D505,790 S \* 6/2005 Kline ..... D4/111
- 6,981,869 B2 \* 1/2006 Ruddle ..... A46B 13/006  
433/102
- D531,529 S \* 11/2006 Sato ..... D10/57

(Continued)

**OTHER PUBLICATIONS**

Gum brand Soft-Picks interdental brush, on sale in the United States prior to Mar. 3, 2014.

*Primary Examiner* — Susan Moon Lee

(74) *Attorney, Agent, or Firm* — Matthew G. Gavronski

(57) **CLAIM**

I claim the ornamental design for an interdental brush, as shown and described.

**DESCRIPTION**

FIG. 1 is a perspective view of an interdental brush embodying the present invention.

FIG. 2 is a left side view of the interdental brush of FIG. 1.

FIG. 3 is a right side view of the interdental brush of FIG. 1.

FIG. 4 is a top view of the interdental brush of FIG. 1.

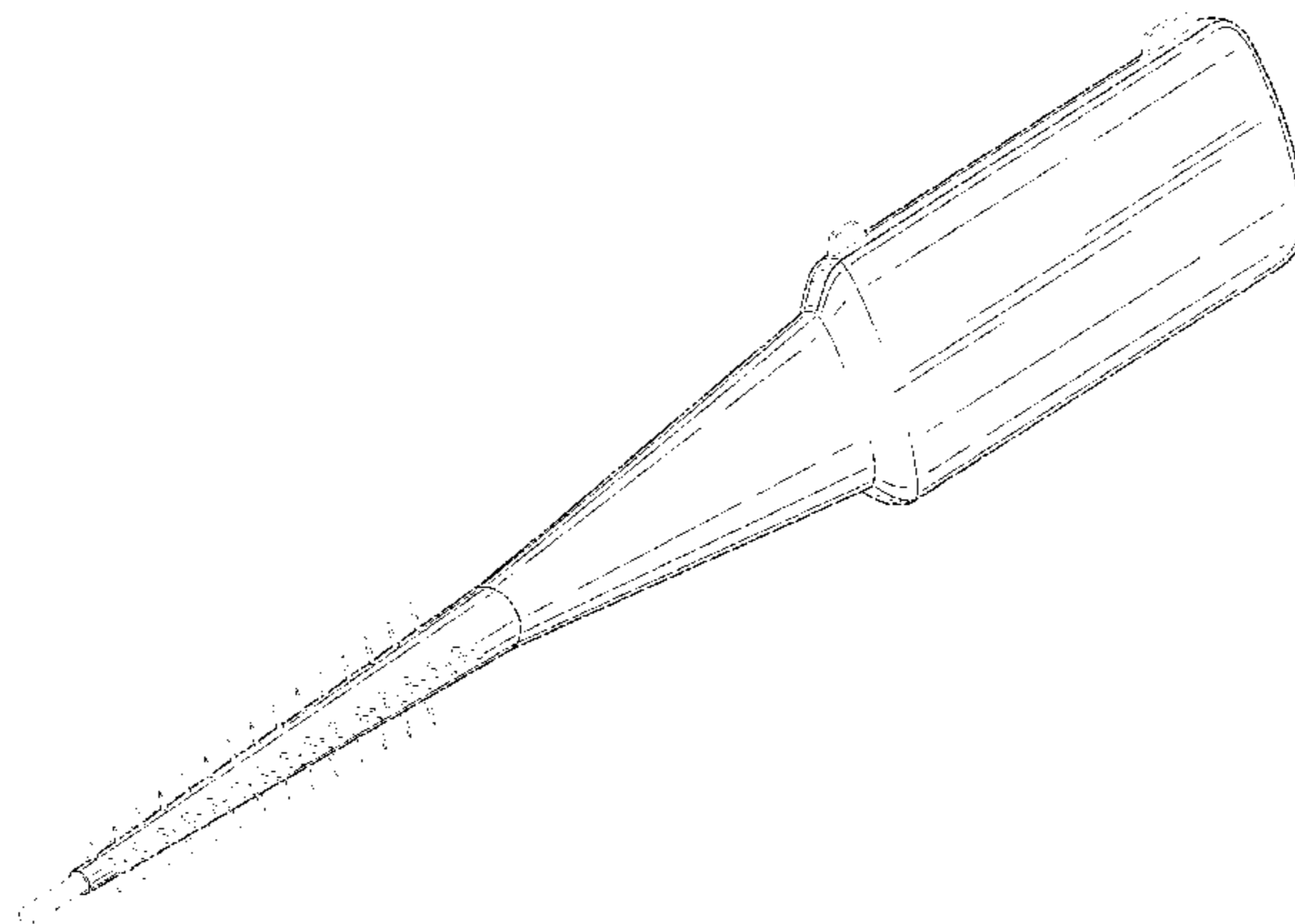
FIG. 5 is a bottom view of the interdental brush of FIG. 1.

FIG. 6 is a front view of the interdental brush of FIG. 1; and,

FIG. 7 is a rear view of the interdental brush of FIG. 1.

The broken lines show portions of the interdental brush that form no part of the claimed design.

**1 Claim, 4 Drawing Sheets**



# US D767,900 S

Page 2

(56)

## References Cited

### U.S. PATENT DOCUMENTS

D535,203 S *	1/2007	Chen	D10/57	2005/0032019 A1 *	2/2005	Han	A46B 3/18 433/80
D536,529 S *	2/2007	Antler	D4/111	2005/0094707 A1 *	5/2005	Lee	G01K 13/002 374/163
7,198,487 B2 *	4/2007	Luetgen	A61C 15/02 132/322	2006/0039446 A1 *	2/2006	Lee	G01K 1/16 374/208
D571,043 S *	6/2008	Crossman	D28/65	2008/0251098 A1 *	10/2008	Chen	A61C 15/00 132/329
D576,799 S *	9/2008	Vezi	D4/111	2009/0230756 A1 *	9/2009	Crossman	A46B 5/02 300/21
D594,984 S *	6/2009	Crossman	D24/152	2009/0235477 A1 *	9/2009	Larsson	A46B 5/0062 15/167.1
D615,425 S *	5/2010	Shigeno	D10/57	2010/0024839 A1 *	2/2010	Kalbfeld	A46B 1/00 132/329
D634,475 S *	3/2011	Nanda	D28/68	2013/0213432 A1 *	8/2013	Lee	A61C 15/043 132/325
8,181,786 B1 *	5/2012	Alas	A61C 15/00 206/570	2014/0008837 A1	1/2014	Eatherton	
D664,454 S *	7/2012	Shibata	D10/57	2014/0166043 A1 *	6/2014	Dishon	A61C 15/02 132/329
D674,610 S *	1/2013	Eatherton	D4/111	2015/0033482 A1 *	2/2015	Miles	A46B 11/0041 15/104.94
8,404,053 B2 *	3/2013	Prince	A46B 3/18 134/6	2015/0114428 A1 *	4/2015	Kato	A46B 15/0093 132/329
8,663,520 B2	3/2014	Kalbfeld et al.		2015/0257861 A1 *	9/2015	Dishon	A46B 3/005 132/329
D730,204 S *	5/2015	Juhng	D10/57	2015/0282601 A1 *	10/2015	Butz	A46B 1/00 15/167.1
D730,205 S *	5/2015	Juhng	D10/57	2015/0335141 A1 *	11/2015	Schar	A46B 1/00 15/106
D744,756 S *	12/2015	Kato	D4/104	2016/0058531 A1 *	3/2016	Adriano	A46B 3/005 132/329
D745,676 S *	12/2015	Garrison	D24/152	2016/0135932 A1 *	5/2016	Butz	A61C 15/02 132/329
D752,221 S *	3/2016	Trottier	D24/152				
D756,125 S *	5/2016	Hsu	D4/111				
D757,440 S *	5/2016	Butz	D4/111				
2001/0035193 A1 *	11/2001	Narayanan	A61C 1/07 132/321				
2002/0172922 A1 *	11/2002	Mannschedel	A46B 3/005 433/102				
2003/0128738 A1 *	7/2003	Chen	G01K 13/002 374/185				
2004/0121284 A1 *	6/2004	Hsu	A46B 3/18 433/141				

\* cited by examiner

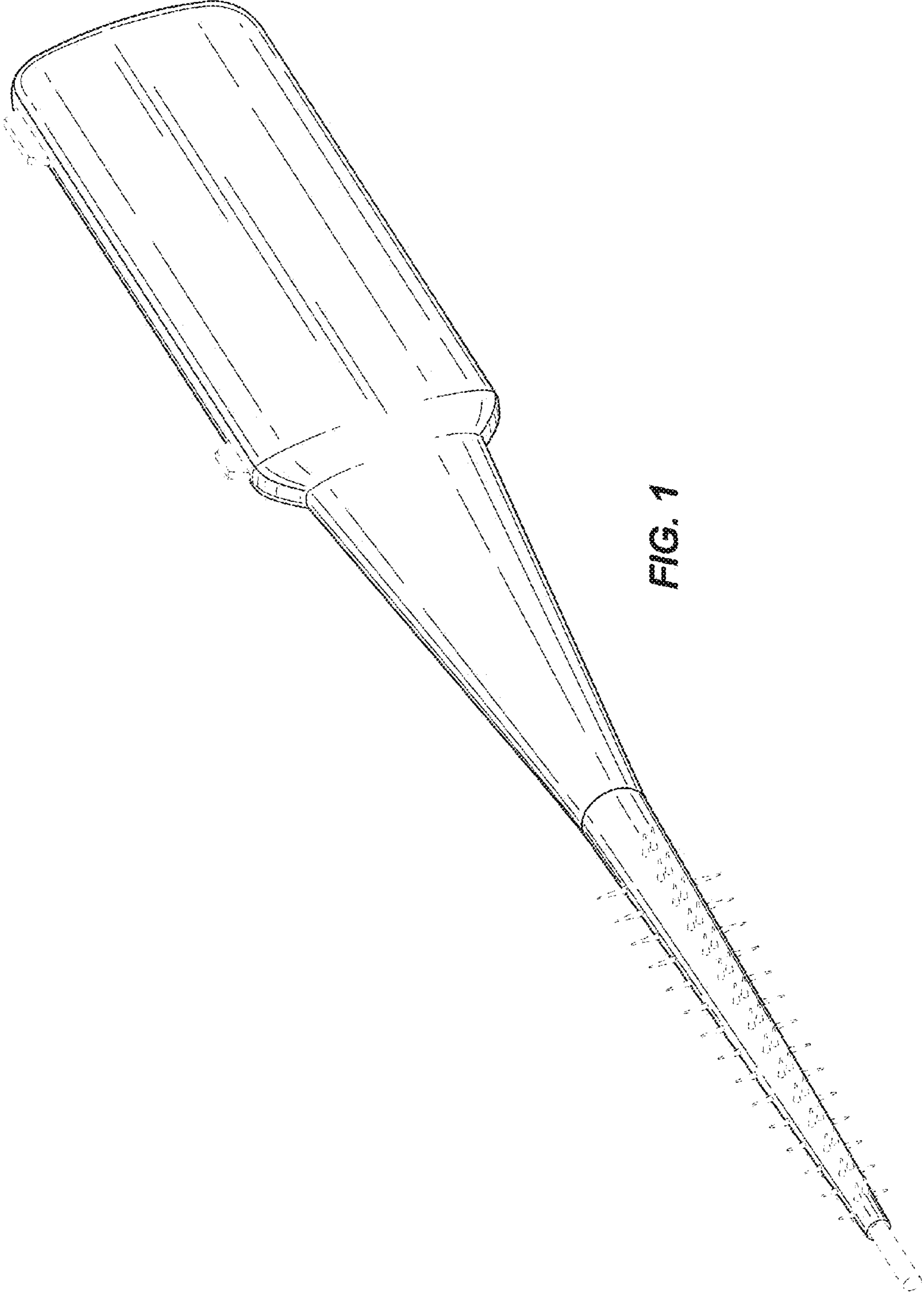


FIG. 1

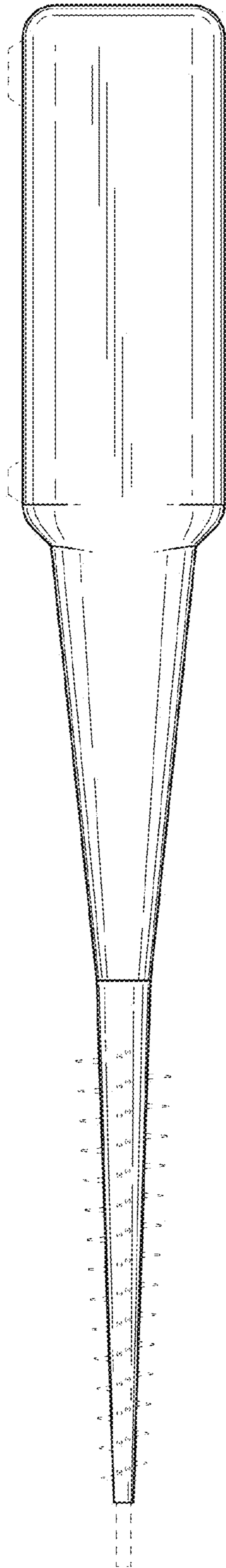


FIG. 2

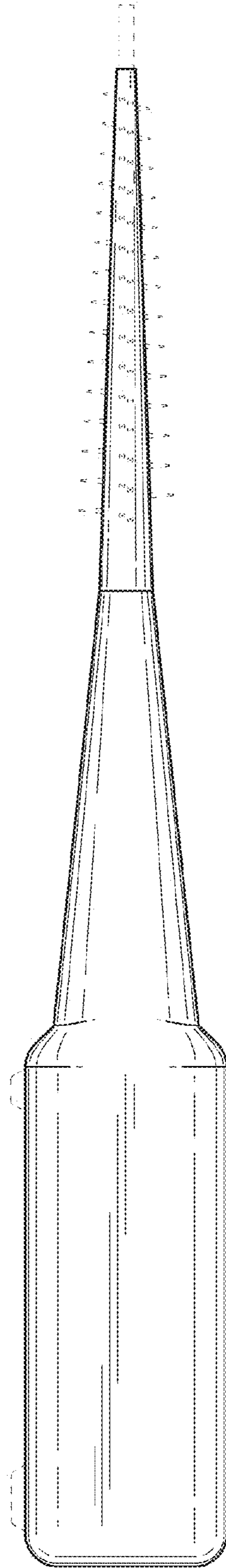


FIG. 3

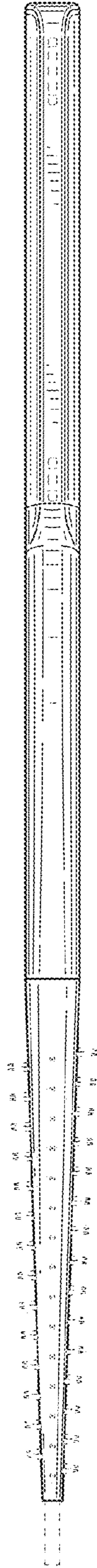


FIG. 4

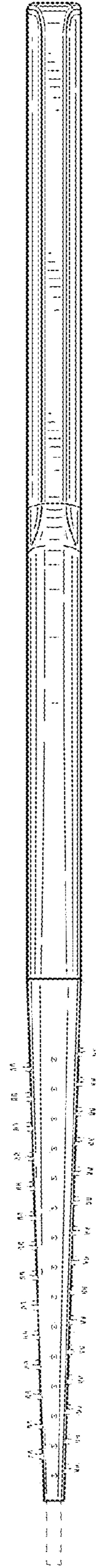
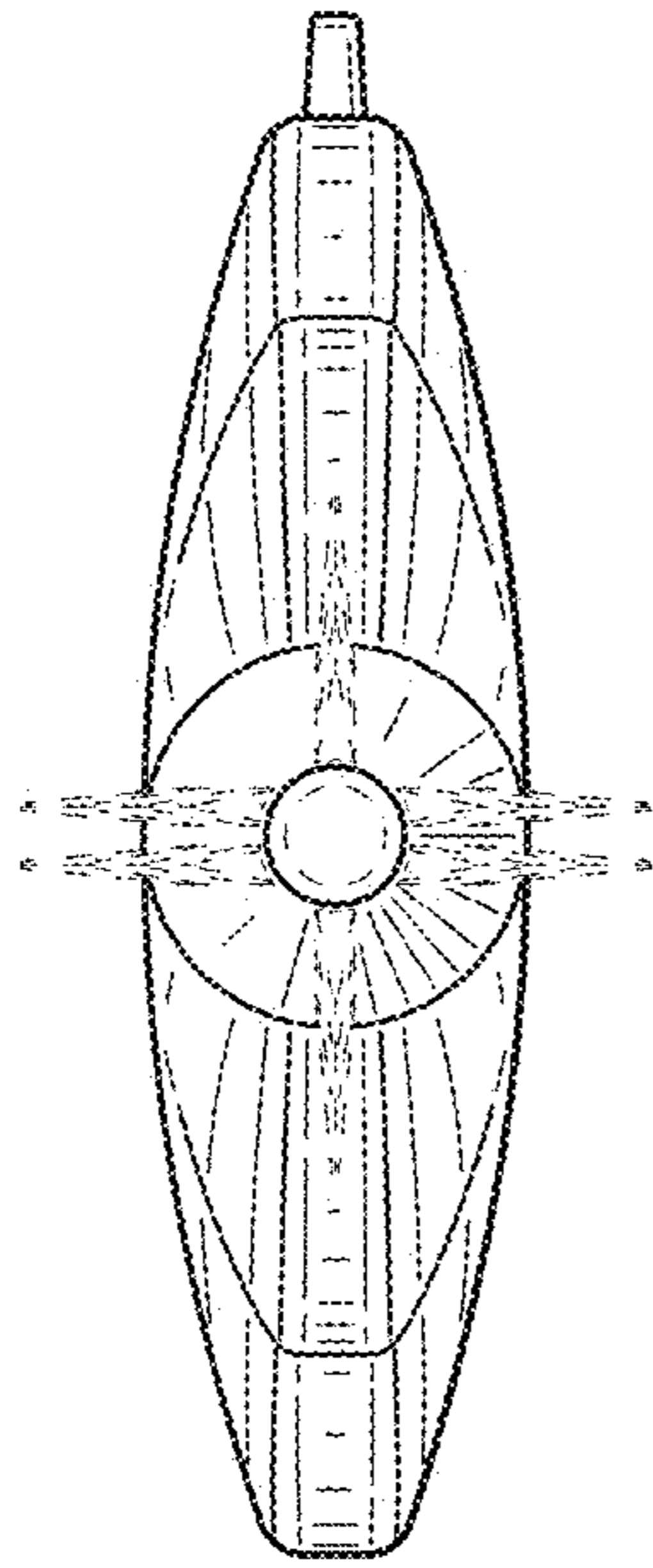
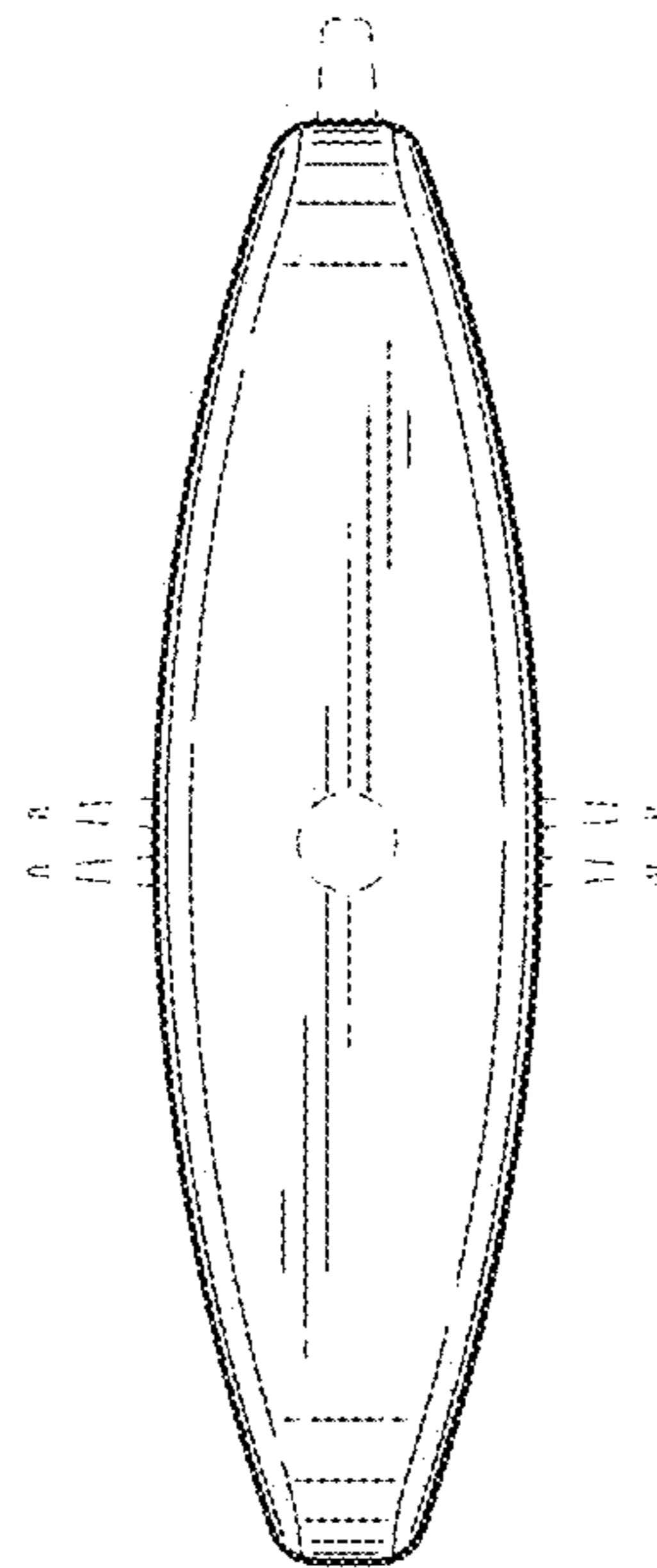


FIG. 5



**FIG. 6**



**FIG. 7**