

US00D767894S

(12) **United States Design Patent** (10) **Patent No.:** **US D767,894 S**
Dissegna (45) **Date of Patent:** **** Oct. 4, 2016**

(54) **SUITCASE HANDLE**

(71) Applicant: **NILVIA S.N.C.**, Mussolente (VI) (IT)

(72) Inventor: **Alessandro Dissegna**, Sassari (IT)

(73) Assignee: **NILVIA S.N.C.**, Mussolente (VI) (IT)

(**) Term: **14 Years**

(21) Appl. No.: **29/516,993**

(22) Filed: **Feb. 9, 2015**

(51) **LOC (10) Cl.** **03-01**

(52) **U.S. Cl.**
USPC **D3/318**

(58) **Field of Classification Search**
USPC D3/318, 272-273, 289
CPC A45F 5/10; A45F 5/14; B65D 33/06
See application file for complete search history.

(56) **References Cited**

U.S. PATENT DOCUMENTS

D368,013 S *	3/1996	Tsai	D3/318
D666,004 S *	8/2012	Santy	D3/318
D678,678 S *	3/2013	Santy	D3/318
D730,058 S *	5/2015	Hazlewood	D3/318

* cited by examiner

Primary Examiner — Holly Baynham

(74) *Attorney, Agent, or Firm* — Hedman & Costigan, P.C.; James V. Costigan; Kathleen A. Costigan

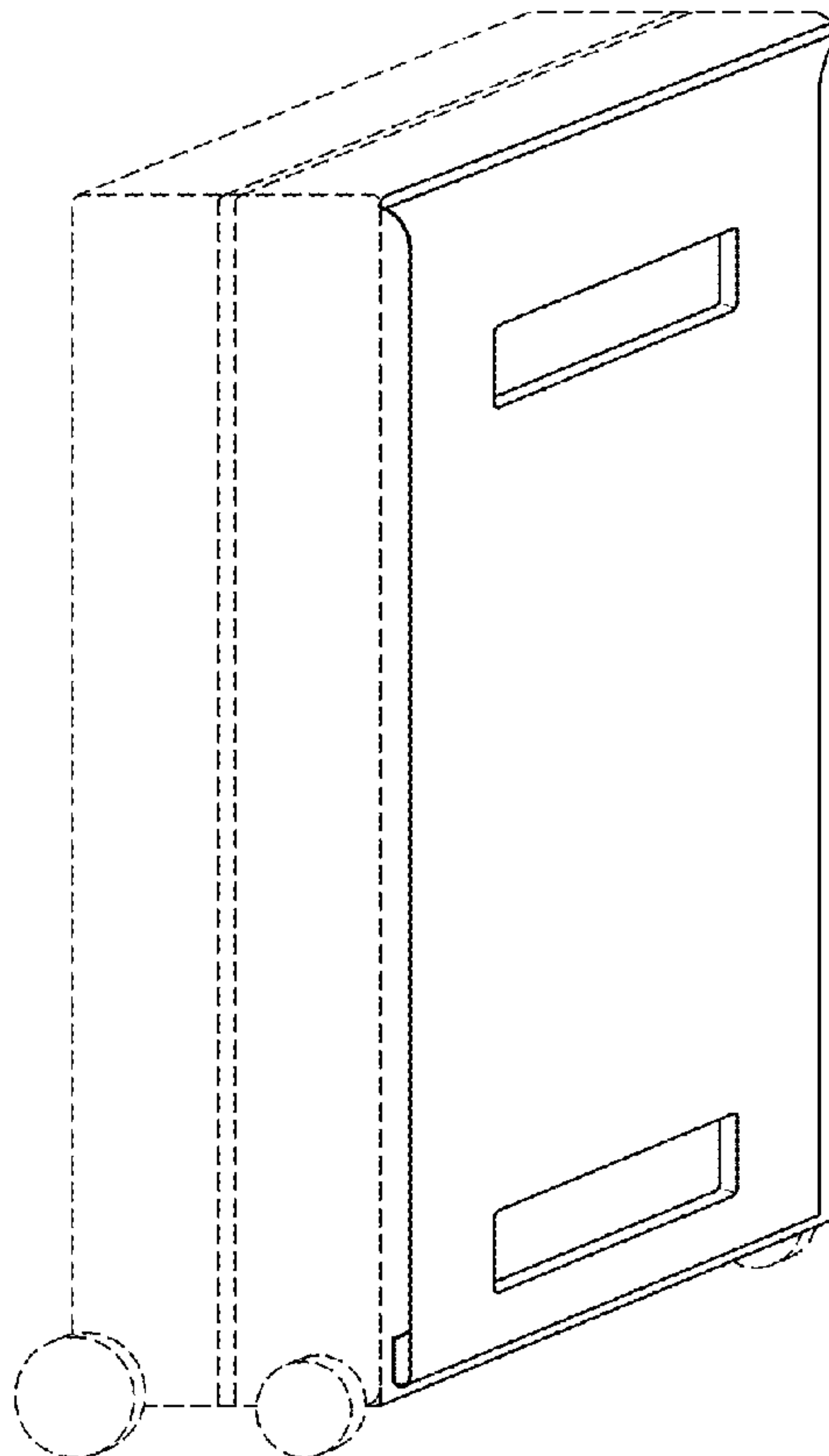
(57) **CLAIM**

I claim the ornamental design for a suitcase handle, as shown and described.

DESCRIPTION

FIG. 1 is a perspective view of a suitcase handle according to the present invention shown folded against a surface of the suitcase ;
 FIG. 2 is a front view thereof;
 FIG. 3 is a back view thereof;
 FIG. 4 is a bottom view thereof;
 FIG. 5 is a top view thereof;
 FIG. 6 is a right side view thereof;
 FIG. 7 is a left side view thereof;
 FIG. 8 is a perspective view of a suitcase handle shown in the extended position;
 FIG. 9 is a front view thereof; and,
 FIG. 10 is a right side view thereof, the left side view being the mirror image thereof.
 The broken lines showing of luggage are included for the purpose of illustrating environment and forms no part of the claimed design.

1 Claim, 10 Drawing Sheets



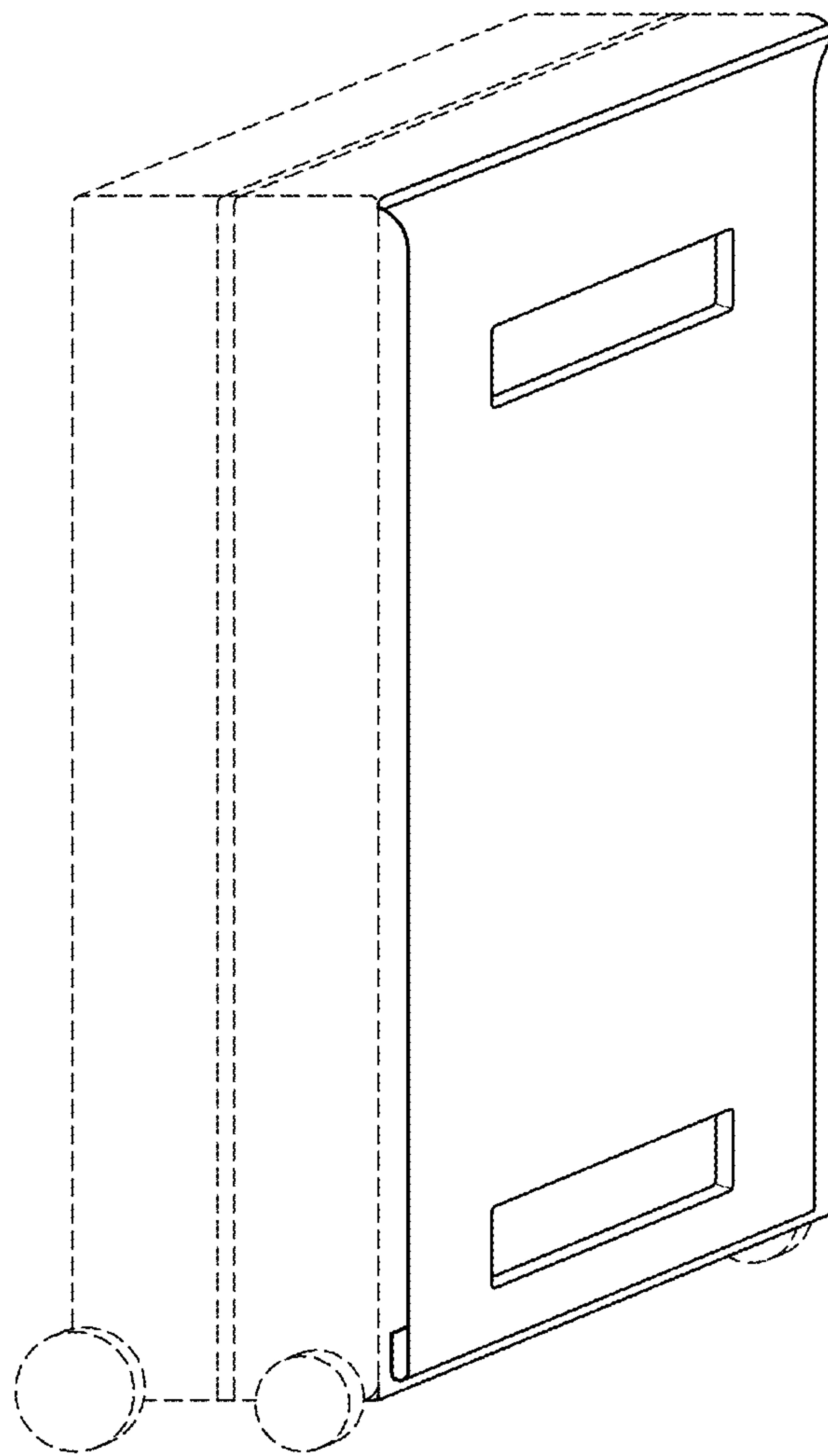


FIG. 1

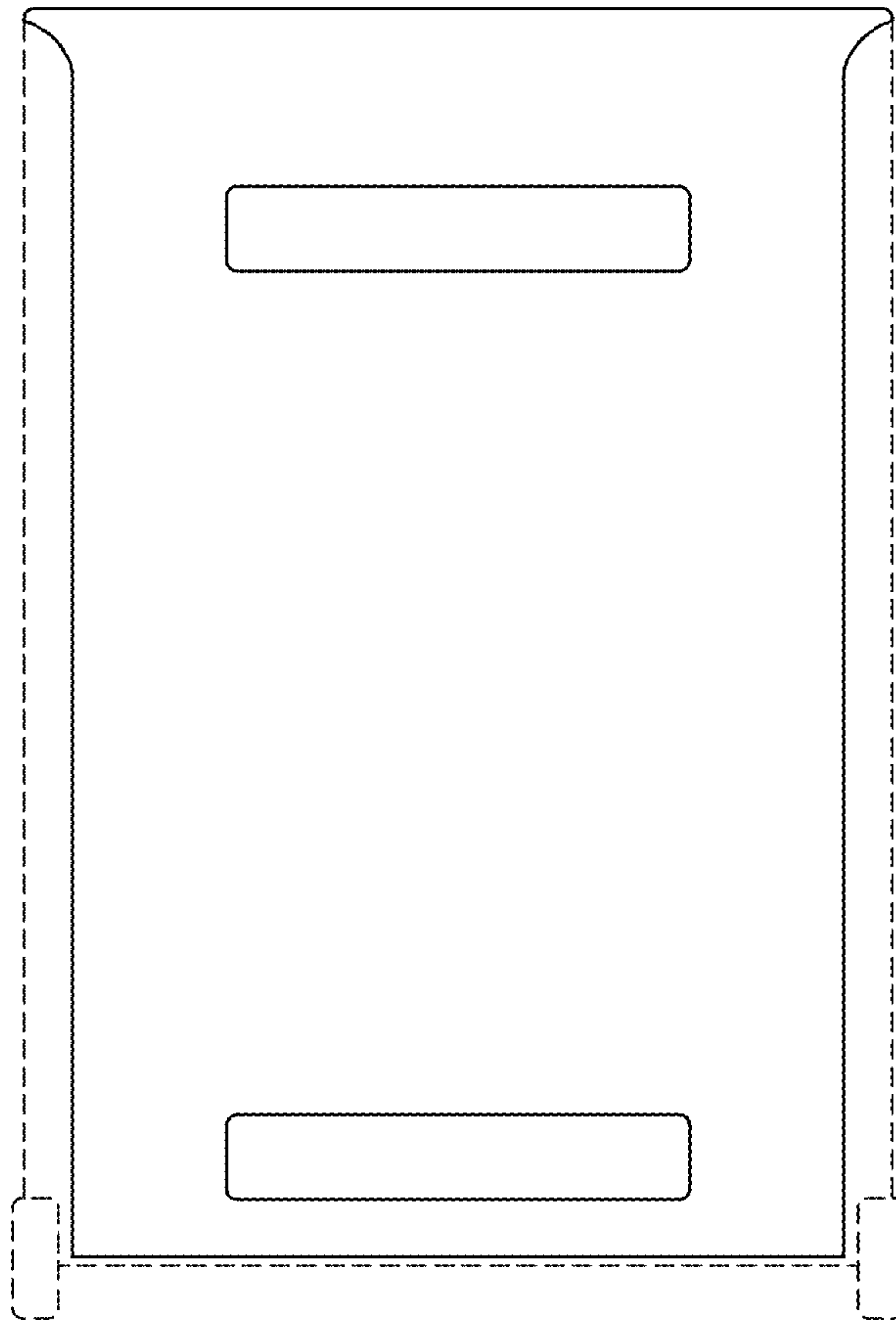


FIG. 2

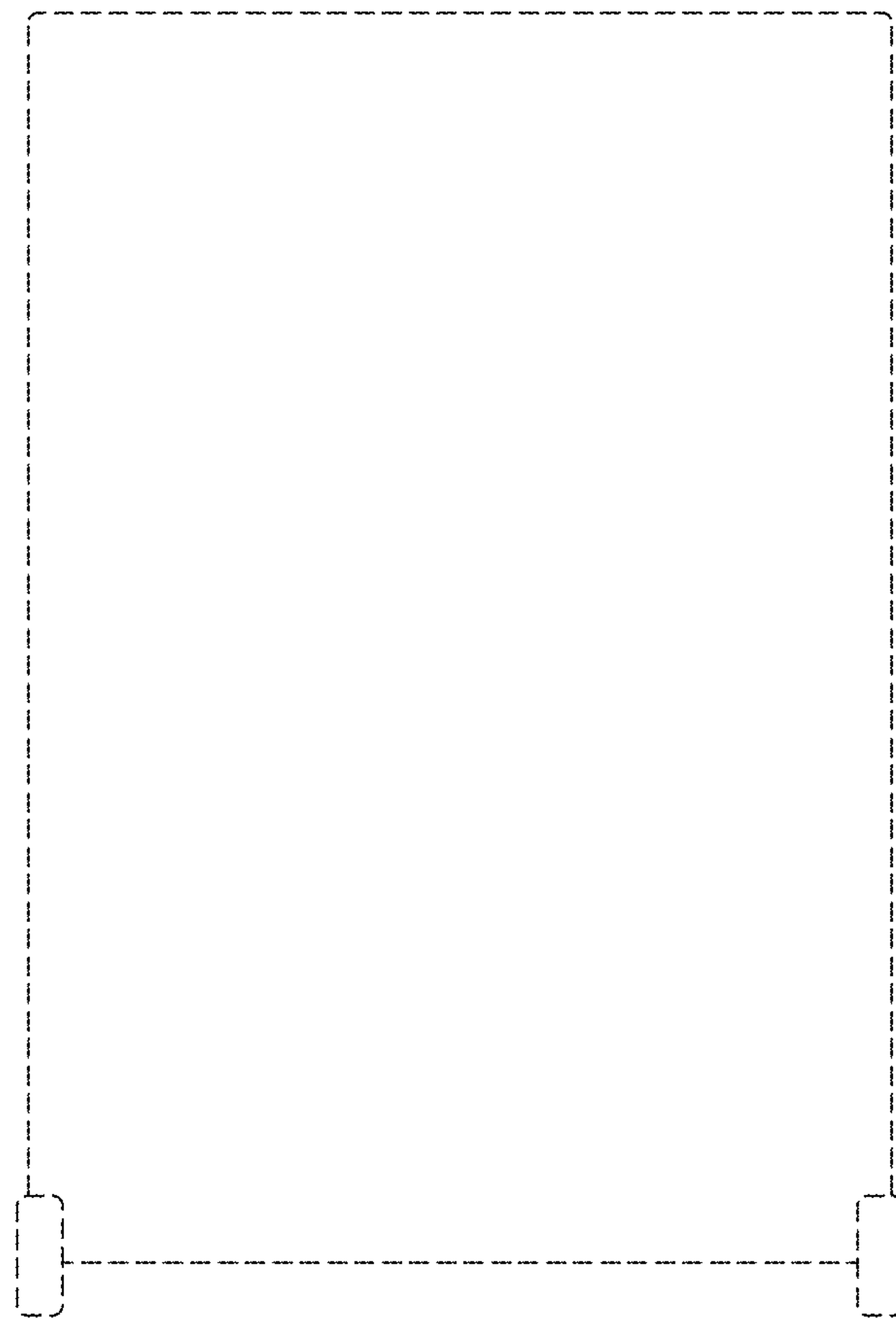


FIG.3

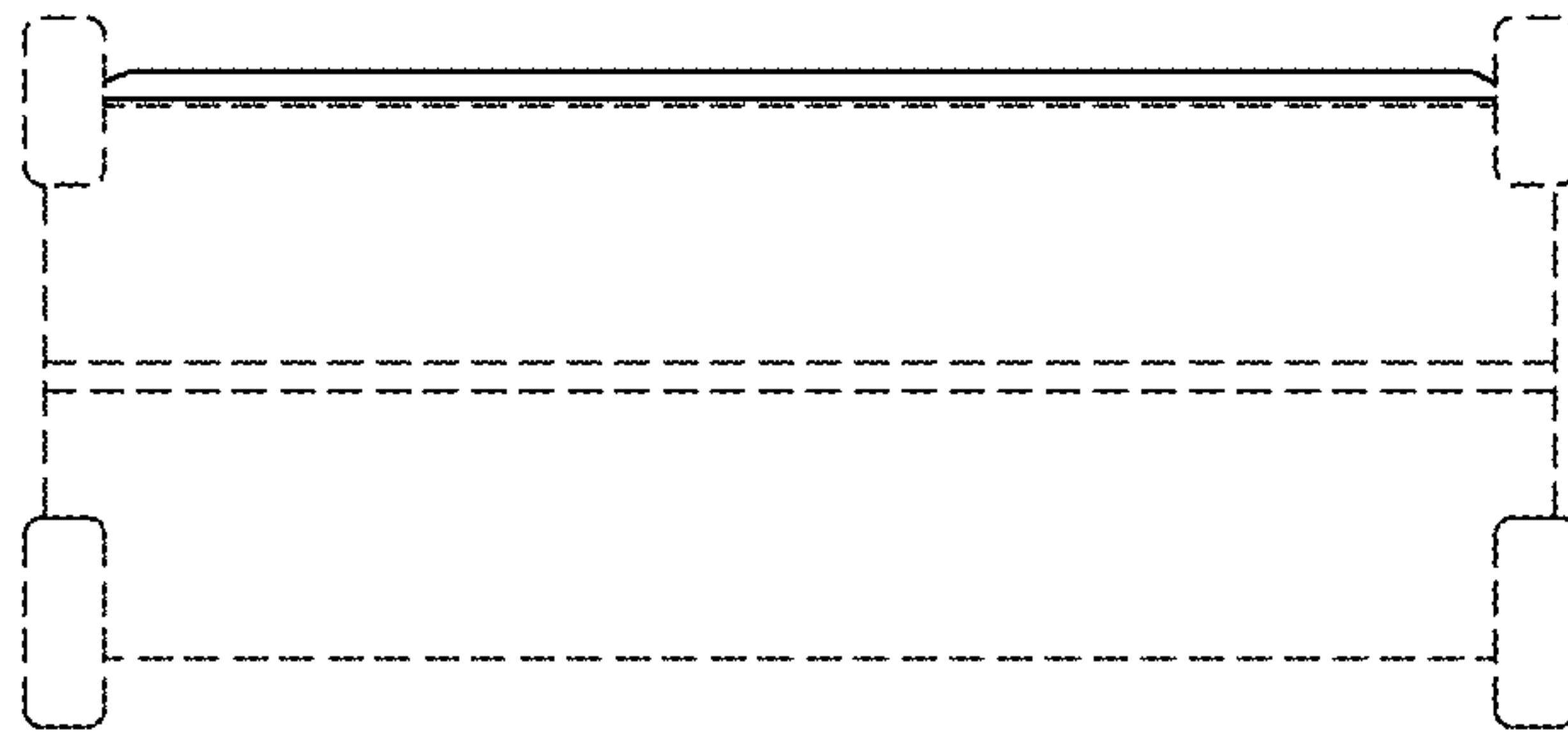


FIG. 4

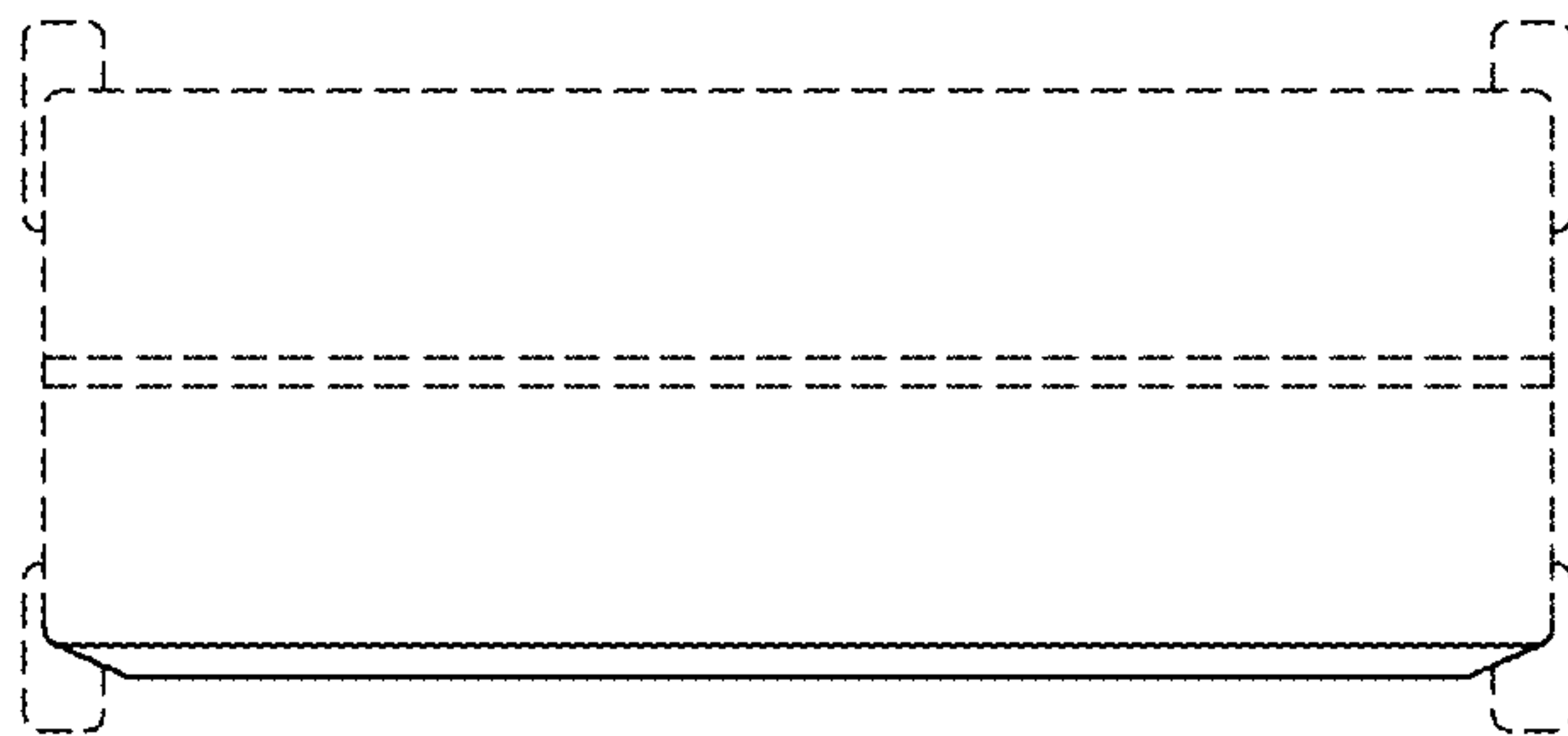


FIG. 5

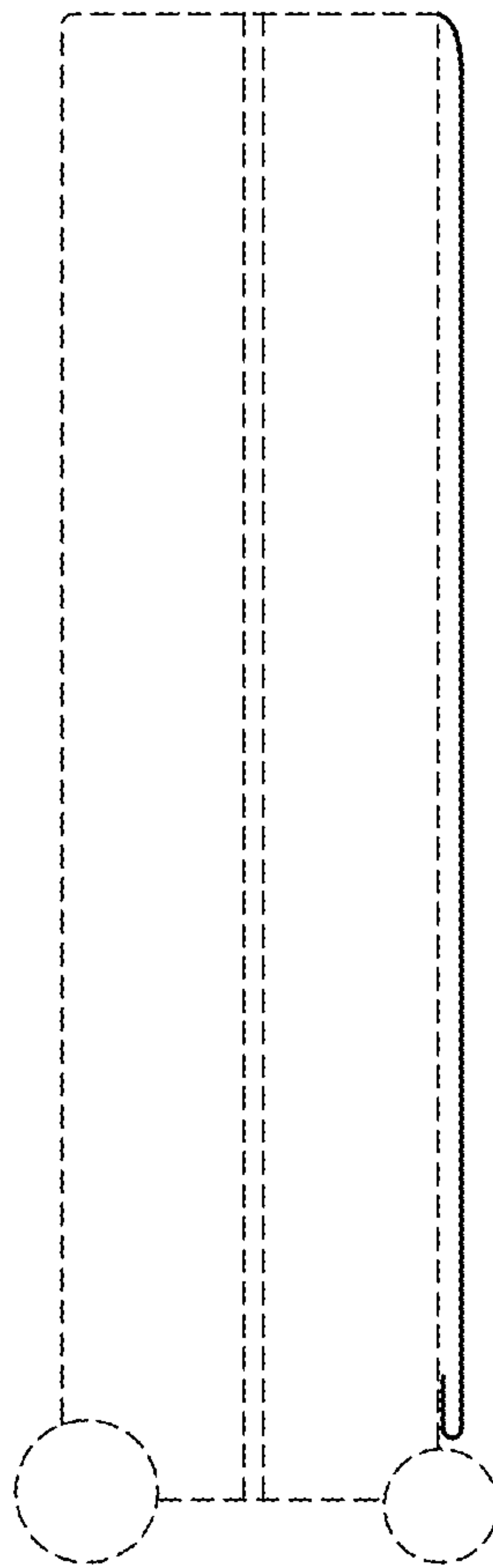


FIG. 6

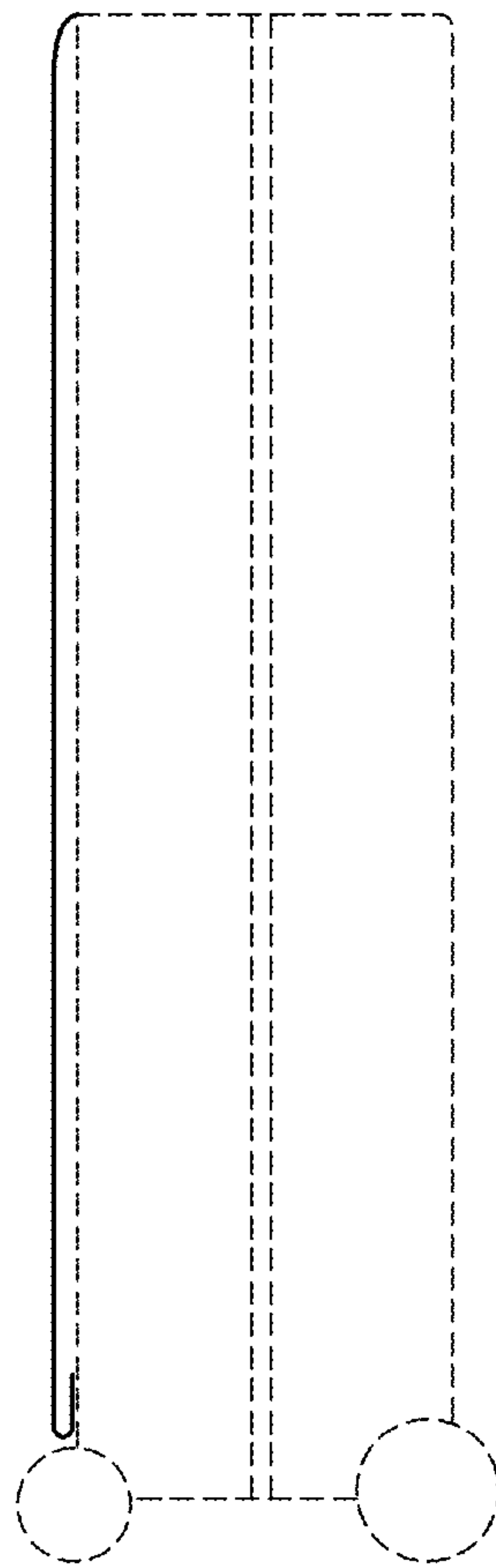


FIG. 7

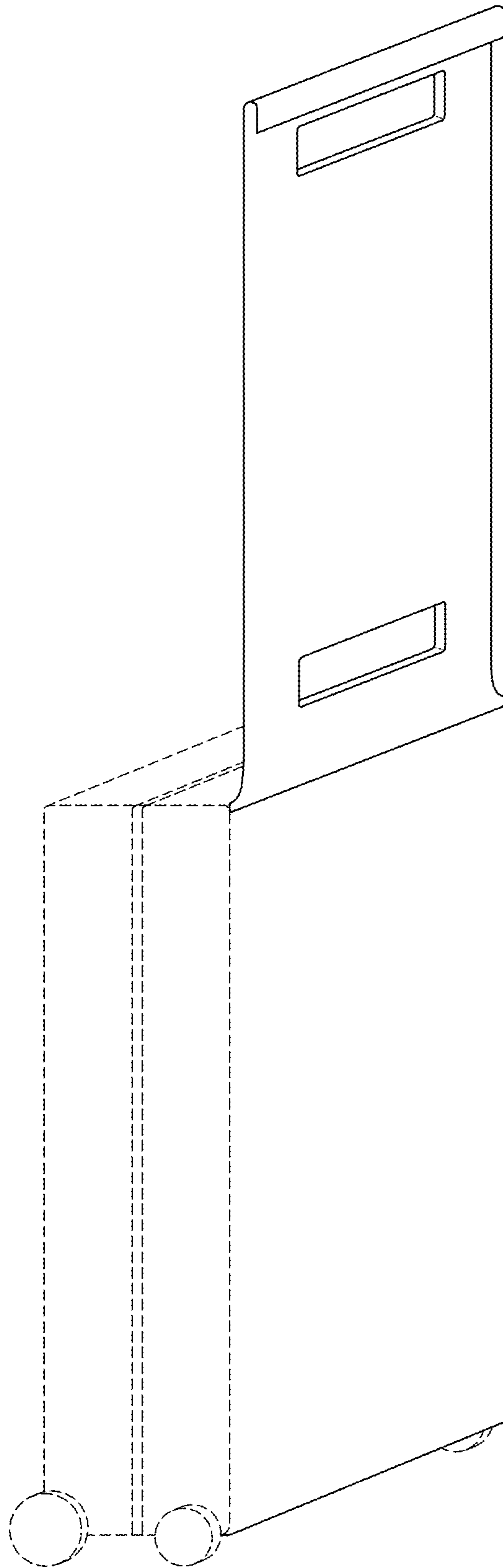


FIG. 8

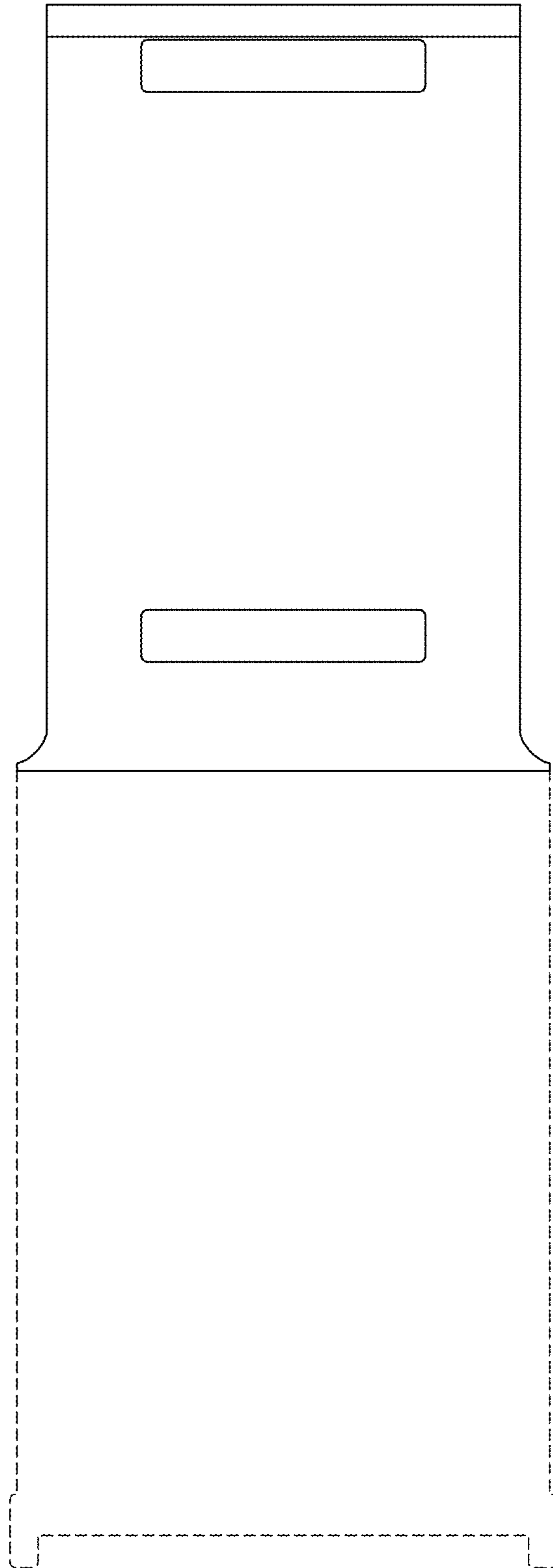


FIG. 9

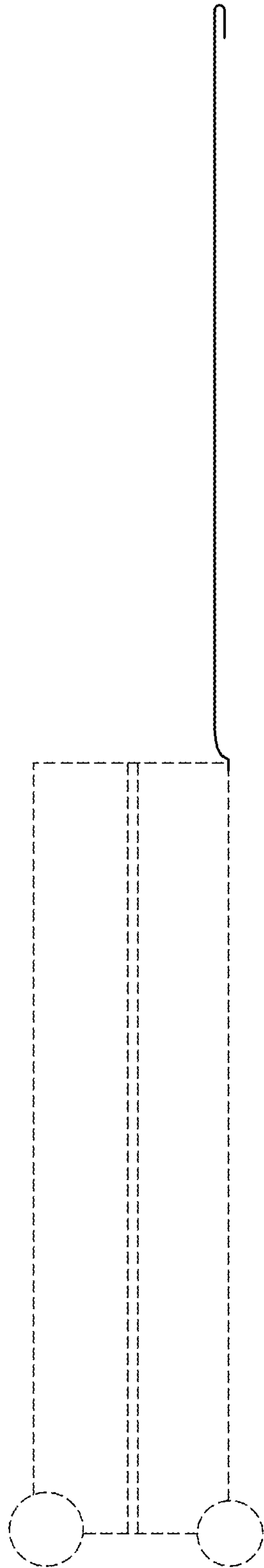


FIG. 10