



US00D767893S

(12) **United States Design Patent** (10) **Patent No.:** **US D767,893 S**
Diz et al. (45) **Date of Patent:** **** Oct. 4, 2016**

(54) **SUITCASE**

(71) Applicant: **Bluesmart Inc.**, Mountain View, CA (US)

(72) Inventors: **Martin Diz**, Buffalo, NY (US); **Brian Chen**, New York, NY (US); **Alejo Verlini**, Buenos Aires (AR); **Alejandro Sarra**, Buenos Aires (AR); **Diego Martin Saez-Gil**, Brooklyn, NY (US); **Tomas Mario Pierucci**, Buenos Aires (AR)

(73) Assignee: **BLUESMART INC.**, Mountain View, CA (US)

(**) Term: **15 Years**

(21) Appl. No.: **29/538,746**

(22) Filed: **Sep. 8, 2015**

Related U.S. Application Data

(63) Continuation-in-part of application No. 14/722,980, filed on May 27, 2015.

(51) **LOC (10) Cl.** **03-01**

(52) **U.S. Cl.**
USPC **D3/279**; D3/289

(58) **Field of Classification Search**
USPC D3/272, 273, 276, 279, 281, 282, 284, D3/285, 283, 289, 291, 294, 295, 301, 231
CPC A45C 5/00; A45C 2003/008; A45C 5/03; A45C 5/06; A45C 5/14; A45C 2005/032; A45C 2005/035; A45C 2005/037; A45C 13/1084; A45C 13/385
See application file for complete search history.

(56) **References Cited**

U.S. PATENT DOCUMENTS

D425,301 S * 5/2000 Sagol D3/276
D428,698 S * 8/2000 Cheng D3/276
D434,224 S * 11/2000 Tiramani D3/276

D435,967 S * 1/2001 Tiramani D3/273
D438,005 S * 2/2001 Tiramani D3/273
D479,651 S * 9/2003 Shen D3/279
7,358,449 B2 4/2008 Hannon

(Continued)

FOREIGN PATENT DOCUMENTS

WO WO-2007/063302 A1 6/2007
WO WO-2013/126459 A2 8/2013
WO WO-2014/073971 A1 5/2015

OTHER PUBLICATIONS

Youtube.com, "Bluesmart—Prototype Demo #02", Accessed on Nov. 25, 2015. Posted on Oct. 20, 2014. (<https://www.youtube.com/watch?v=z45Hwt9IGXE>).*
One Mile At a Time blog, "Trunkster Zipperless Luggage—Thoughts?", Accessed on Nov. 25, 2015. Posted on Nov. 21, 2014. (<http://onemileatatime.boardingarea.com/2014/11/21/trunkster-zipperless-luggage-thoughts/>).*

(Continued)

Primary Examiner — Jennifer Rivard
Assistant Examiner — April Rivas

(74) *Attorney, Agent, or Firm* — Morrison & Foerster LLP

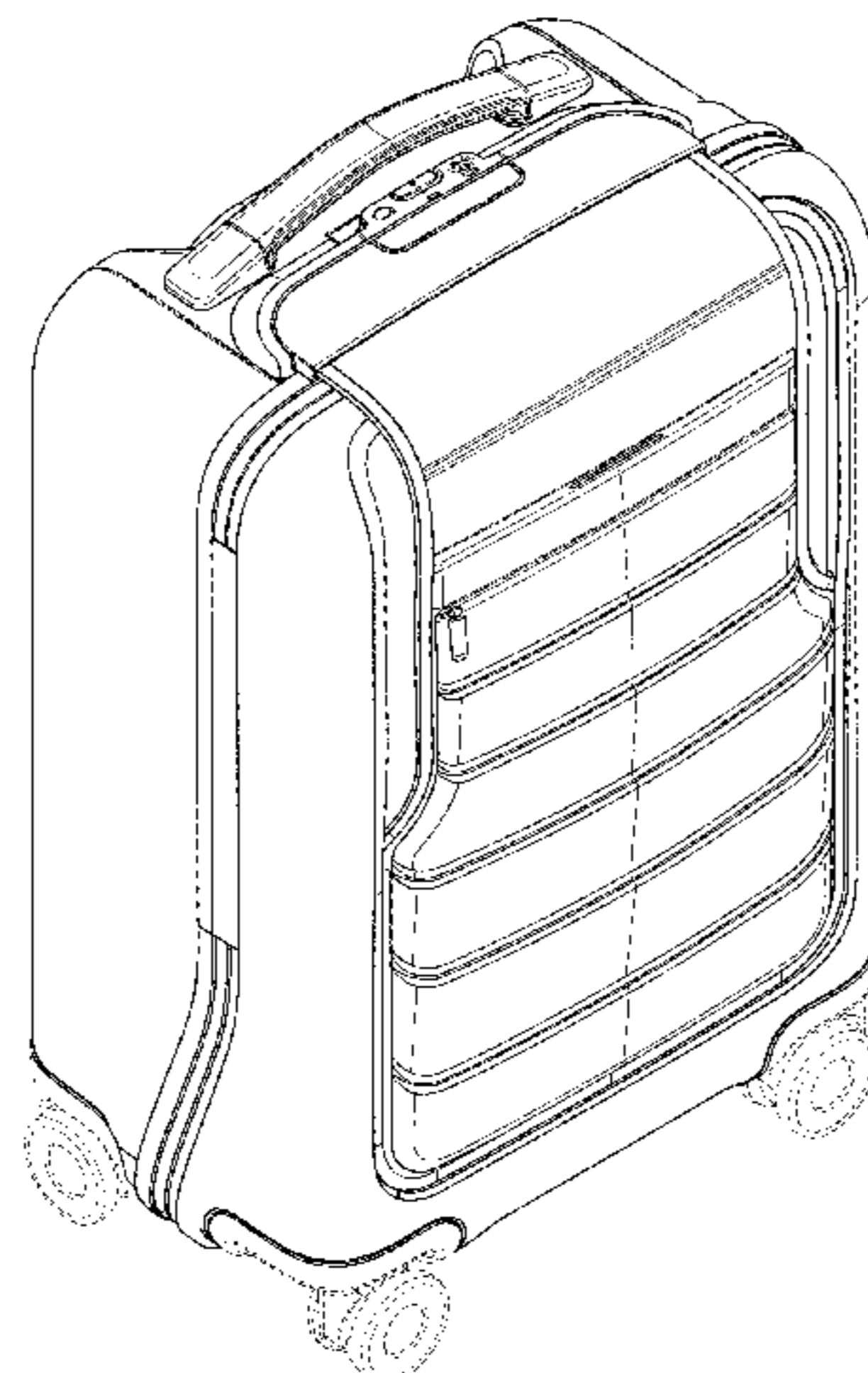
(57) **CLAIM**

The ornamental design for a suitcase, as shown and described.

DESCRIPTION

FIG. 1 is a front right perspective view of a suitcase; FIG. 2 is a left side view of the suitcase; FIG. 3 is a front view of the suitcase; FIG. 4 is a top back perspective view of the suitcase; FIG. 5 is a back view of the suitcase; FIG. 6 is a bottom view of the suitcase; and, FIG. 7 is a top view of the suitcase.
The broken lines shown in the drawings illustrate portions of the suitcase and form no part of the claimed design.

1 Claim, 7 Drawing Sheets



(56)

References Cited

U.S. PATENT DOCUMENTS

7,916,025 B2 3/2011 Locker et al.
 D659,395 S * 5/2012 Sijmons D3/279
 D720,928 S * 1/2015 Roncato D3/279
 D722,771 S * 2/2015 Wu D3/279
 D728,236 S * 5/2015 Virassamy D3/264
 D730,050 S * 5/2015 Hogan D3/279
 D740,558 S * 10/2015 Liao D3/279
 D743,168 S * 11/2015 Niu D3/279
 2012/0152677 A1 6/2012 Lu
 2013/0255335 A1 10/2013 Jonely
 2014/0131156 A1* 5/2014 Farrelly A45C 5/03
 190/124
 2014/0166416 A1* 6/2014 Krulik A45C 5/06
 190/111

2014/0283335 A1* 9/2014 Meersschaert A45C 5/14
 16/46
 2015/0014108 A1* 1/2015 Vecellio A45C 13/02
 190/100
 2015/0021132 A1* 1/2015 Sijmons A45C 5/03
 190/120
 2015/0348347 A1 12/2015 Diz et al.

OTHER PUBLICATIONS

Designboom, "Bluesmart is a Smart Connected Carry-on Suitcase with Built-in Battery" Accessed on Apr. 5, 2016. Posted on Oct. 21, 2014, 19 pages. (<http://www.designboom.com/technology/bluesmart-smart-connected-suitcase-10-21-2014/>).
 International Search Report mailed on Oct. 19, 2015, for PCT/US2015/032667, filed on May 27, 2015, 4 pages.
 Written Opinion mailed on Oct. 19, 2015, for PCT/US2015/032667, filed on May 27, 2015, 7 pages.

* cited by examiner

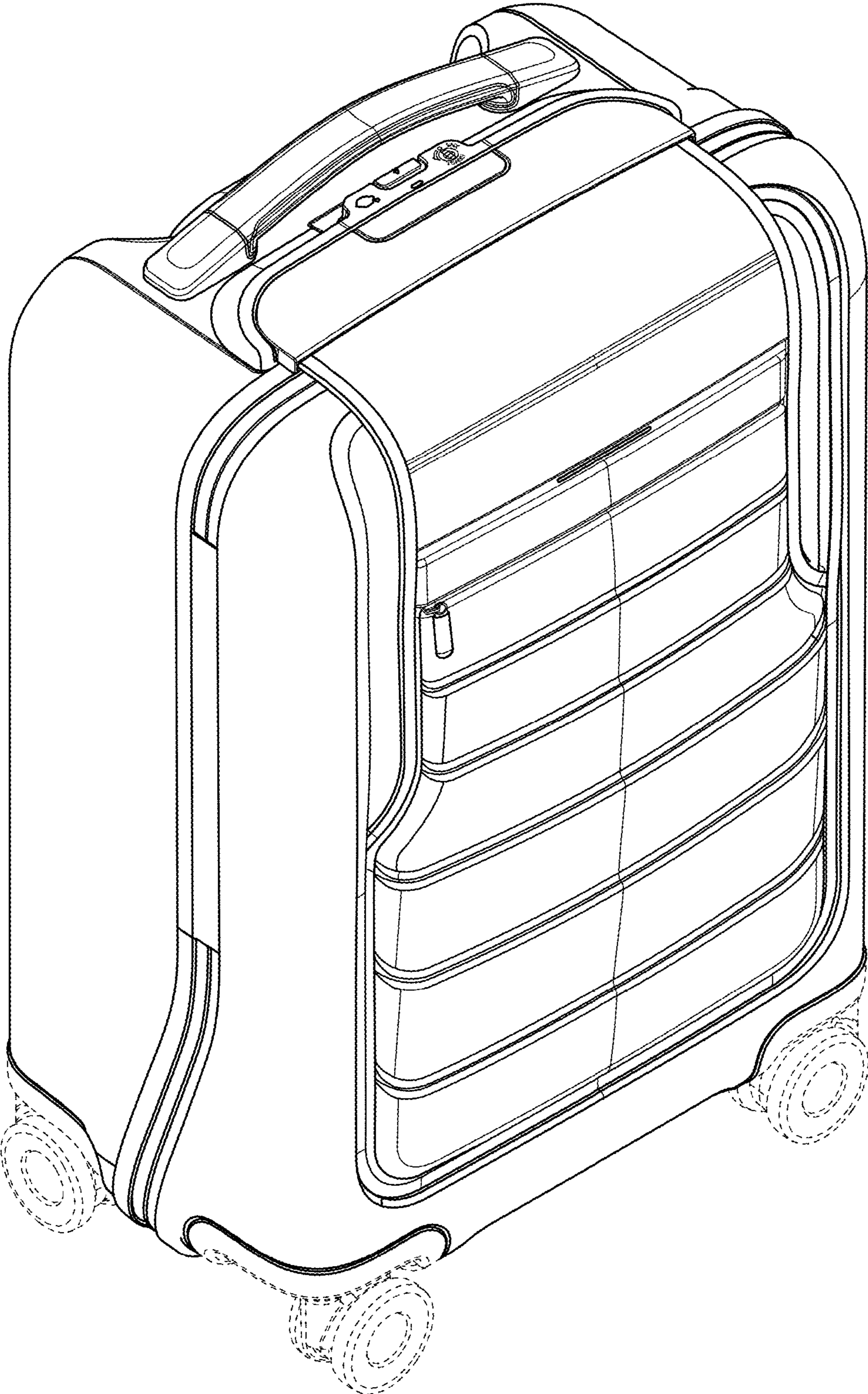


FIG. 1

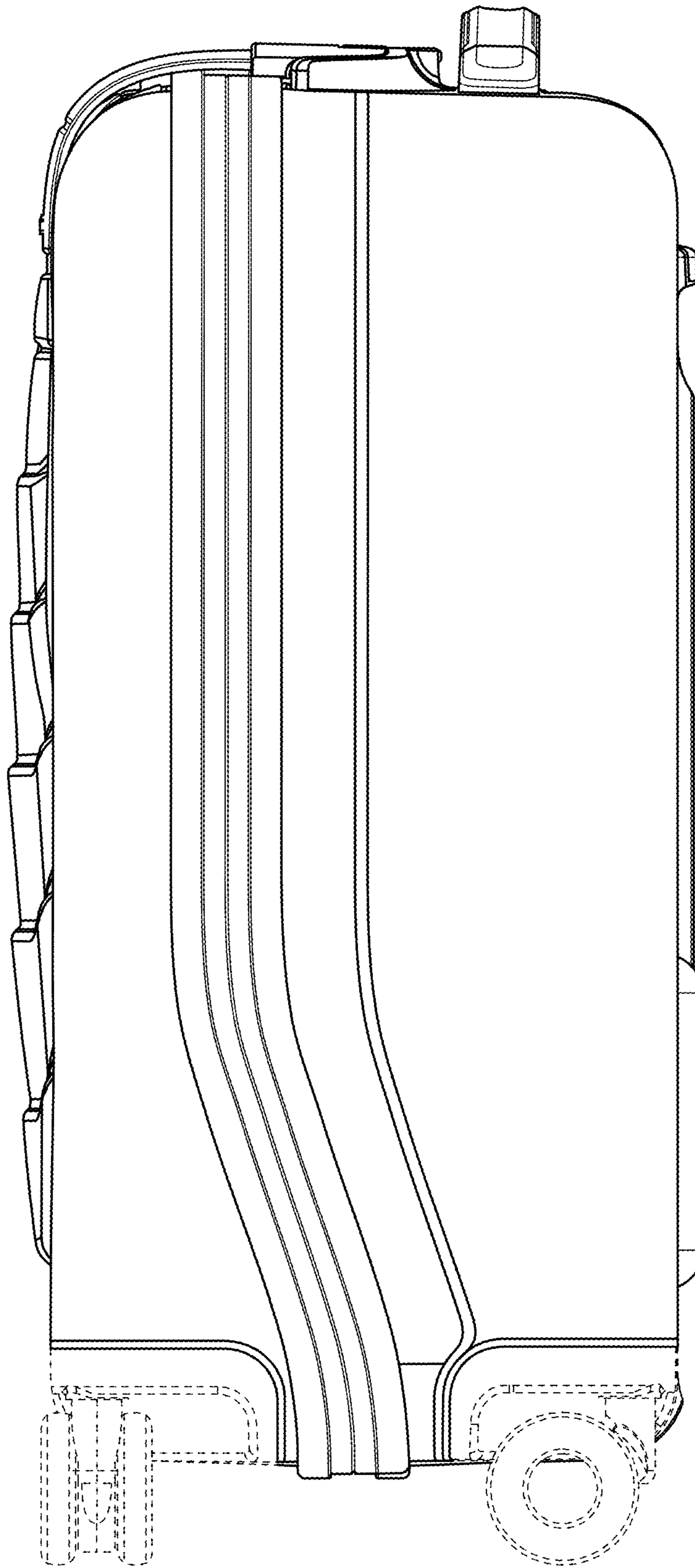


FIG. 2

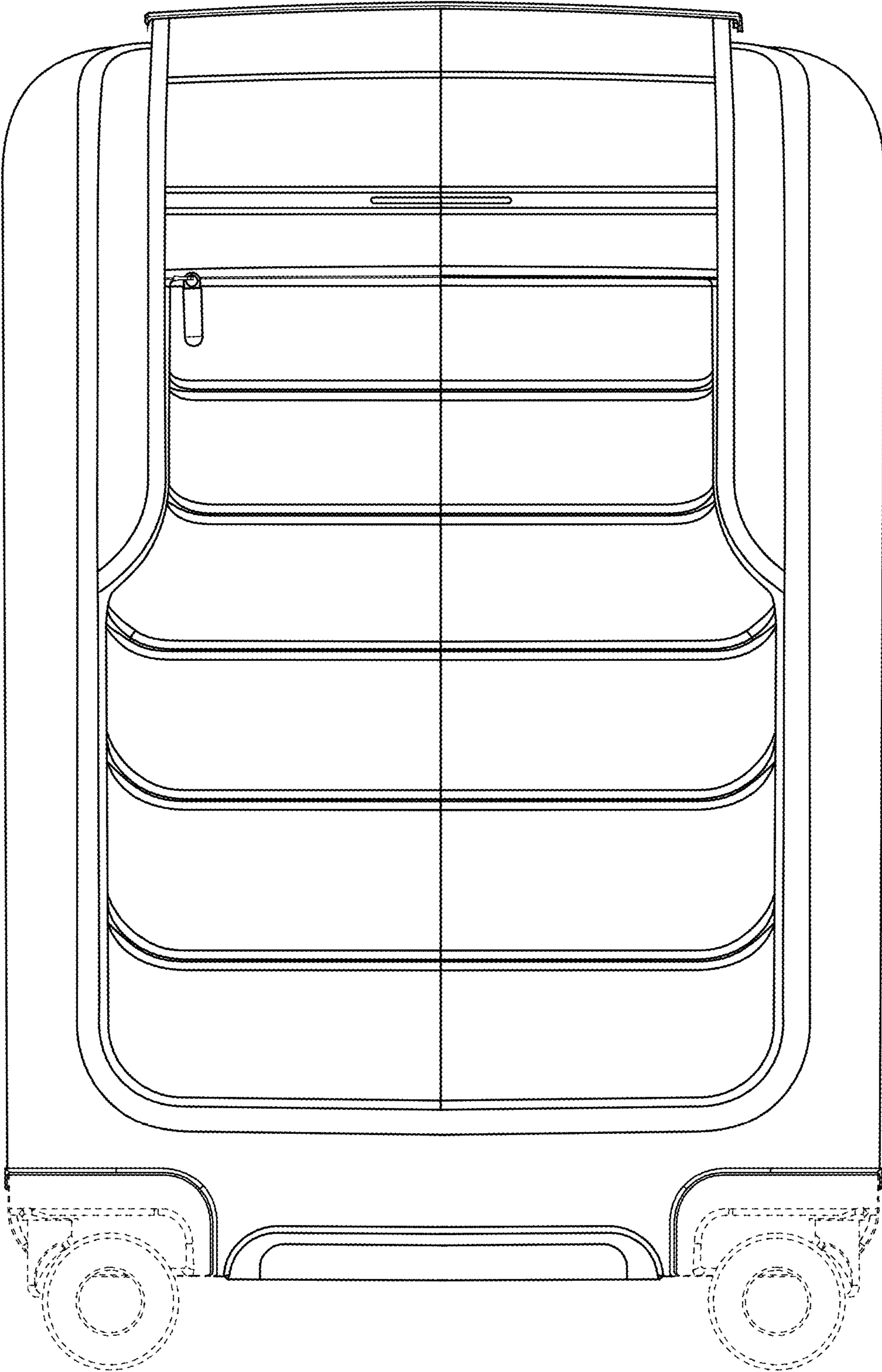


FIG. 3

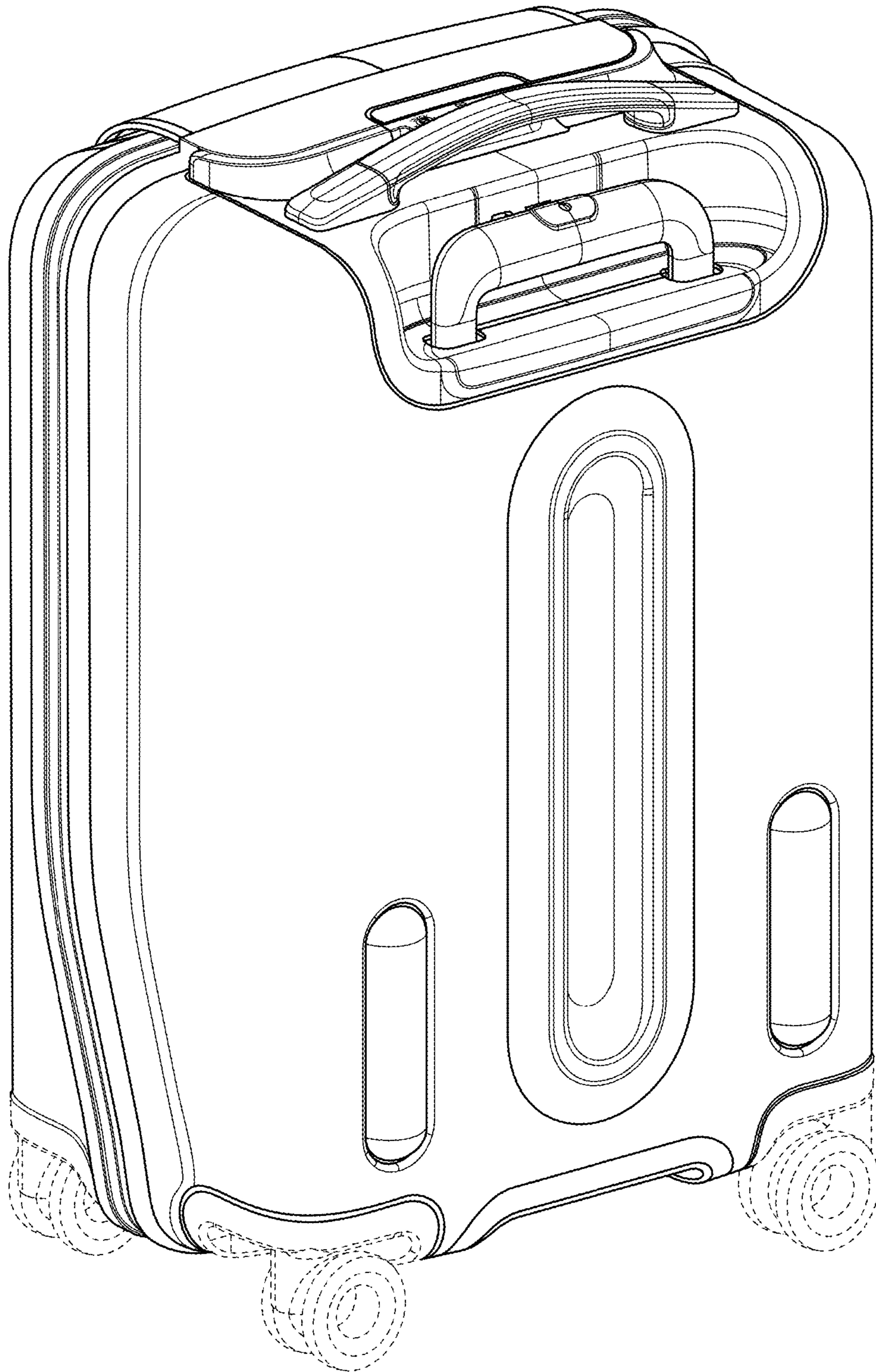


FIG. 4

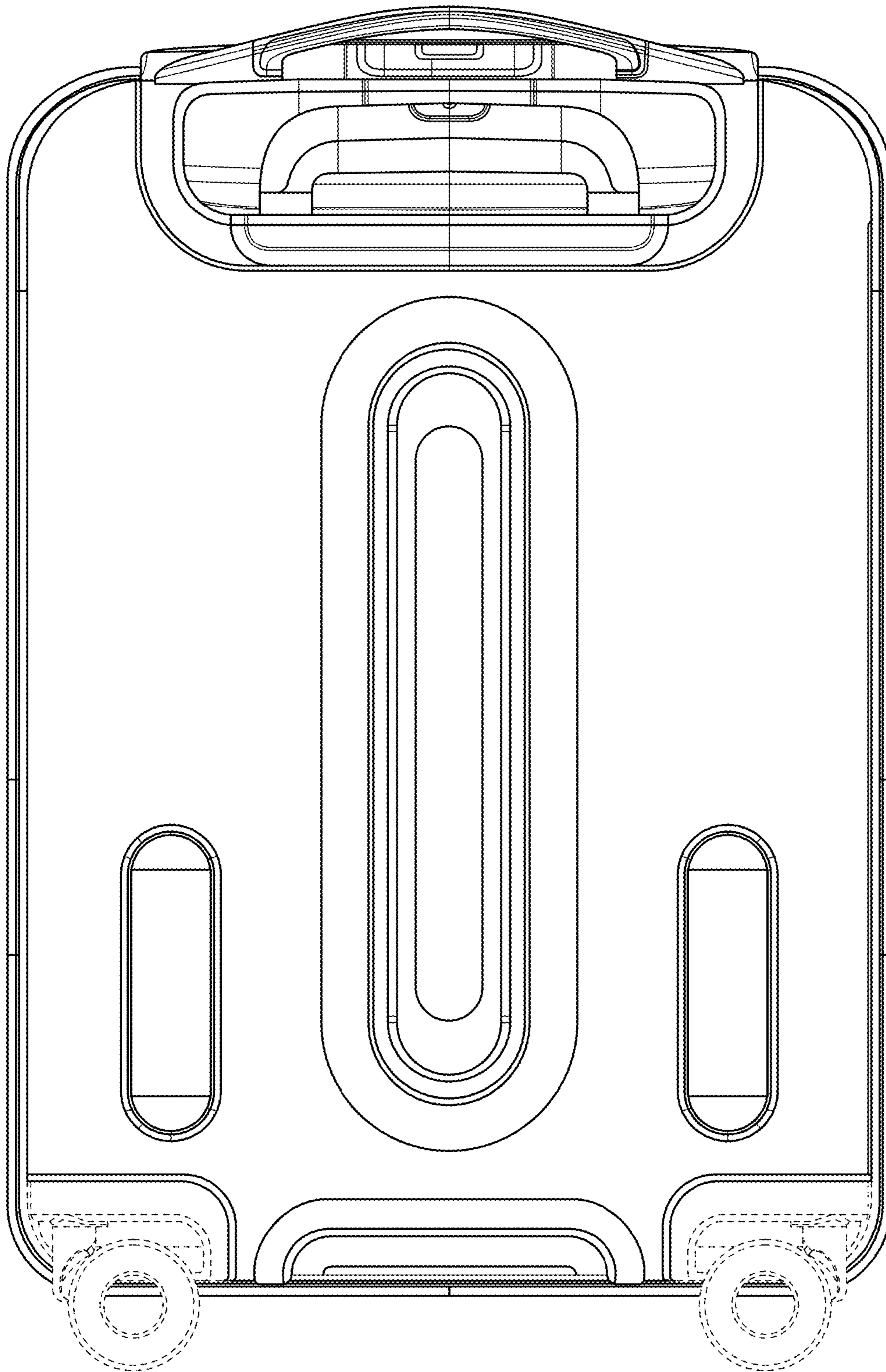


FIG. 5

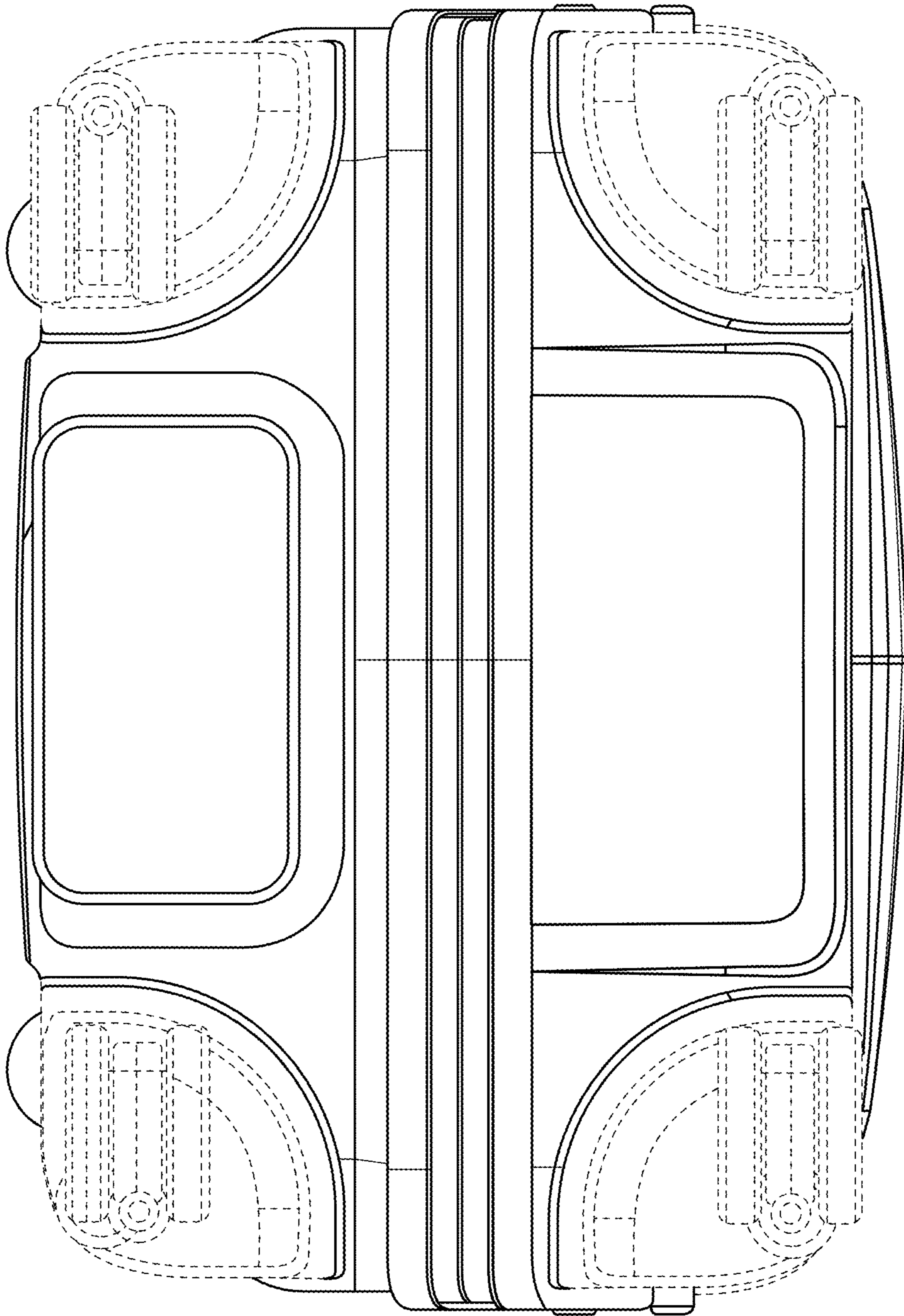


FIG. 6

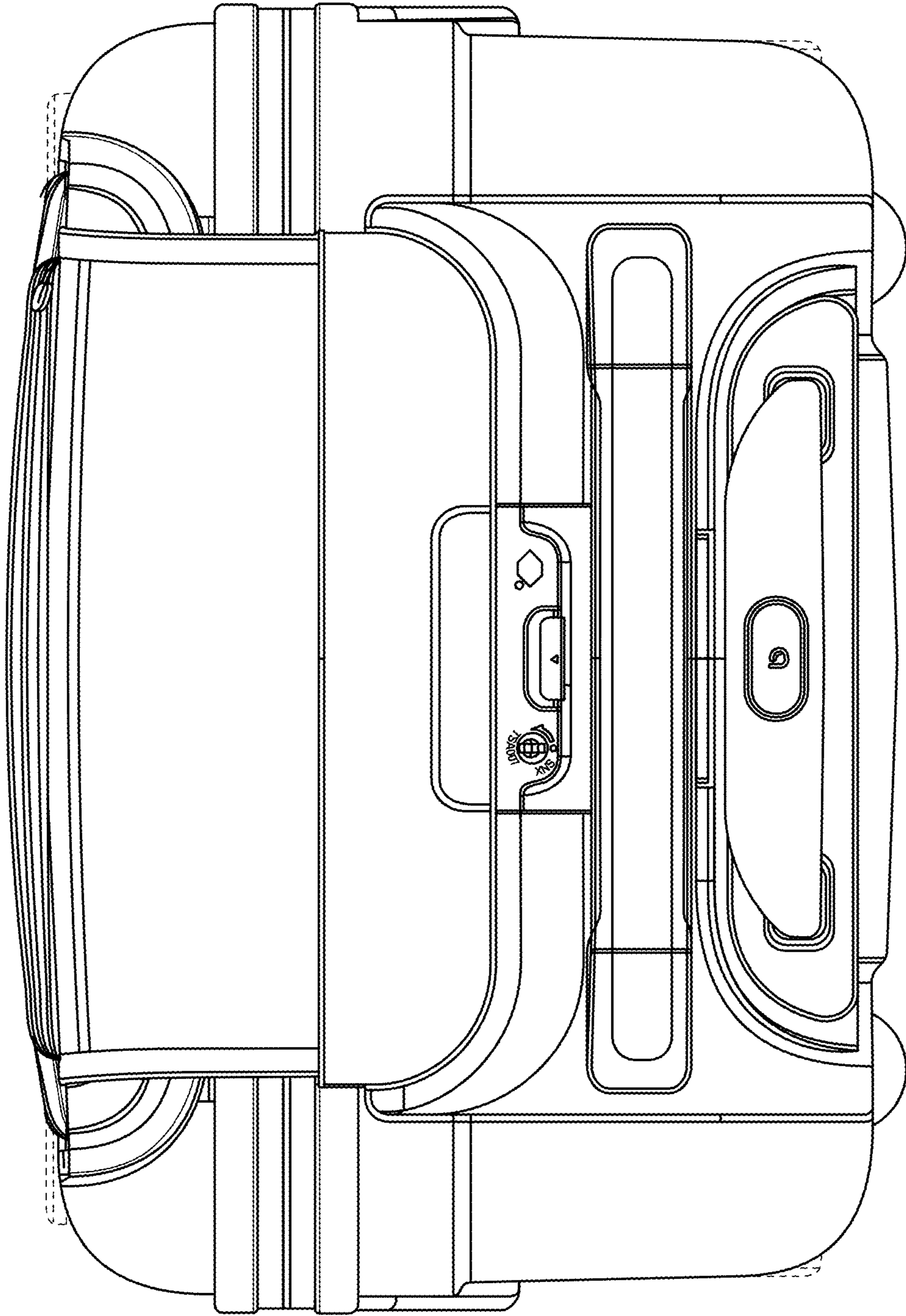


FIG. 7