



US00D767891S

(12) **United States Design Patent** (10) **Patent No.:** **US D767,891 S**
Chiorazzi et al. (45) **Date of Patent:** **** Oct. 4, 2016**

(54) **WINE BOTTLE WALLET**

(71) Applicant: **Franmara, Inc.**, Salinas, CA (US)

(72) Inventors: **Frank P. Chiorazzi**, Salinas, CA (US);
Frank O. Chiorazzi, Salinas, CA (US)

(73) Assignee: **Franmara, Inc.**, Salinas, CA (US)

(**) Term: **14 Years**

(21) Appl. No.: **29/518,149**

(22) Filed: **Feb. 20, 2015**

Related U.S. Application Data

(63) Continuation of application No. 13/743,228, filed on Jan. 16, 2013, now abandoned.

(51) **LOC (10) Cl.** **03-01**

(52) **U.S. Cl.**
USPC **D3/276; D3/233; D7/701**

(58) **Field of Classification Search**
USPC **D3/202, 242, 273, 277, 285, 289, D3/232-238, 276; D7/605, 607, 701, 709; 206/217**

CPC **B65D 33/00; B65D 75/5877**
See application file for complete search history.

(56) **References Cited**

U.S. PATENT DOCUMENTS

- 1,318,652 A * 10/1919 Farkas B65D 75/5877 D3/289
- D462,164 S * 9/2002 Phillips D3/202
- D564,216 S * 3/2008 Thai D3/202
- D650,985 S * 12/2011 Swartz D3/202
- D666,877 S * 9/2012 Khan D7/605
- D680,386 S * 4/2013 Butters D7/607
- D707,042 S * 6/2014 Ruzzenente D3/232

- D713,639 S * 9/2014 Whitlock D3/202
- D724,836 S * 3/2015 Thai D3/232
- 2014/0199000 A1 7/2014 Chiorazzi et al.

* cited by examiner

Primary Examiner — Catheri Oliver-Garcia

(74) *Attorney, Agent, or Firm* — LaRiviere, Grubman PC

(57) **CLAIM**

The ornamental design for a wine bottle wallet, as shown and described.

DESCRIPTION

FIG. 1 is a perspective view of a wine bottle wallet, showing our design;

FIG. 2 is a perspective view thereof in use condition;

FIG. 3 is a side view thereof;

FIG. 4 is an opposing side view thereof;

FIG. 5 is a front view thereof;

FIG. 6 is a front view thereof, in folded condition;

FIG. 7 is a rear view of a wine bottle wallet as shown in FIG. 1;

FIG. 8 is a top view thereof;

FIG. 9 is a bottom view thereof;

FIG. 10 is a perspective view of a second embodiment of a wine bottle wallet, showing our design;

FIG. 11 is a perspective view thereof, in use condition;

FIG. 12 is a front view thereof;

FIG. 13 is a front view thereof, in folded condition;

FIG. 14 is a rear view of a wine bottle wallet as shown in FIG. 9;

FIG. 15 is a side view thereof;

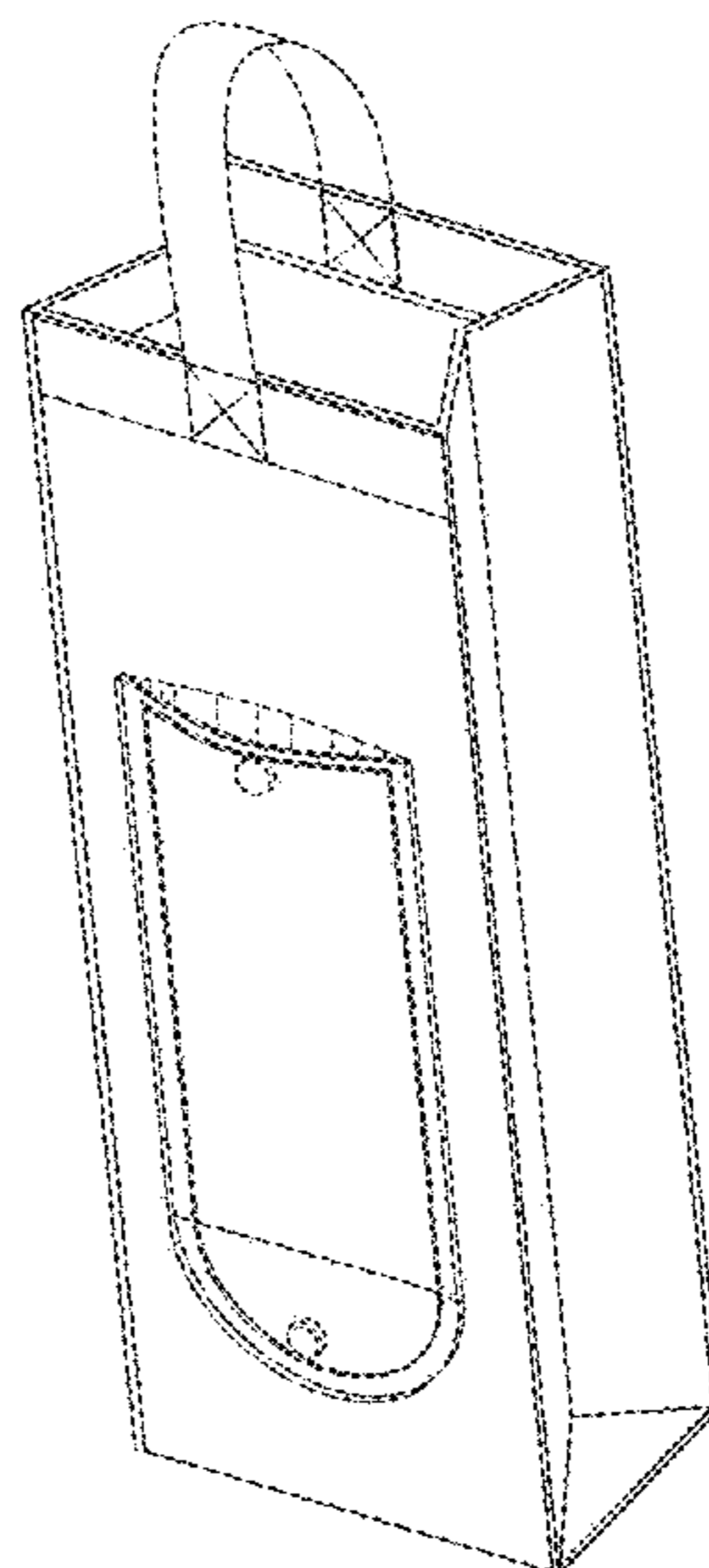
FIG. 16 is an opposing side view thereof;

FIG. 17 is a top view thereof; and,

FIG. 18 is a bottom view thereof.

The broken lines showing a wine bottle are for illustrative purposes only and form no part of the claimed design.

1 Claim, 15 Drawing Sheets



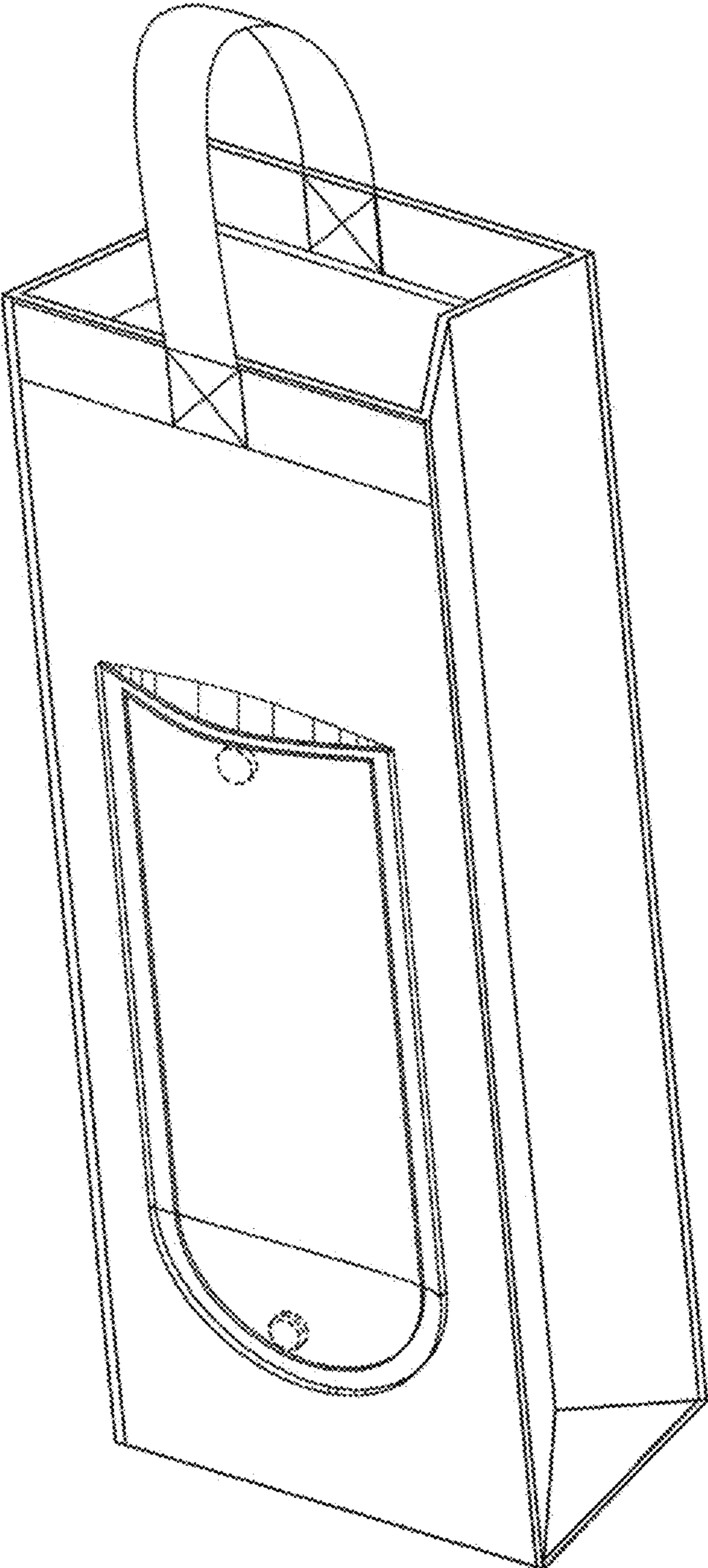


FIG. 1

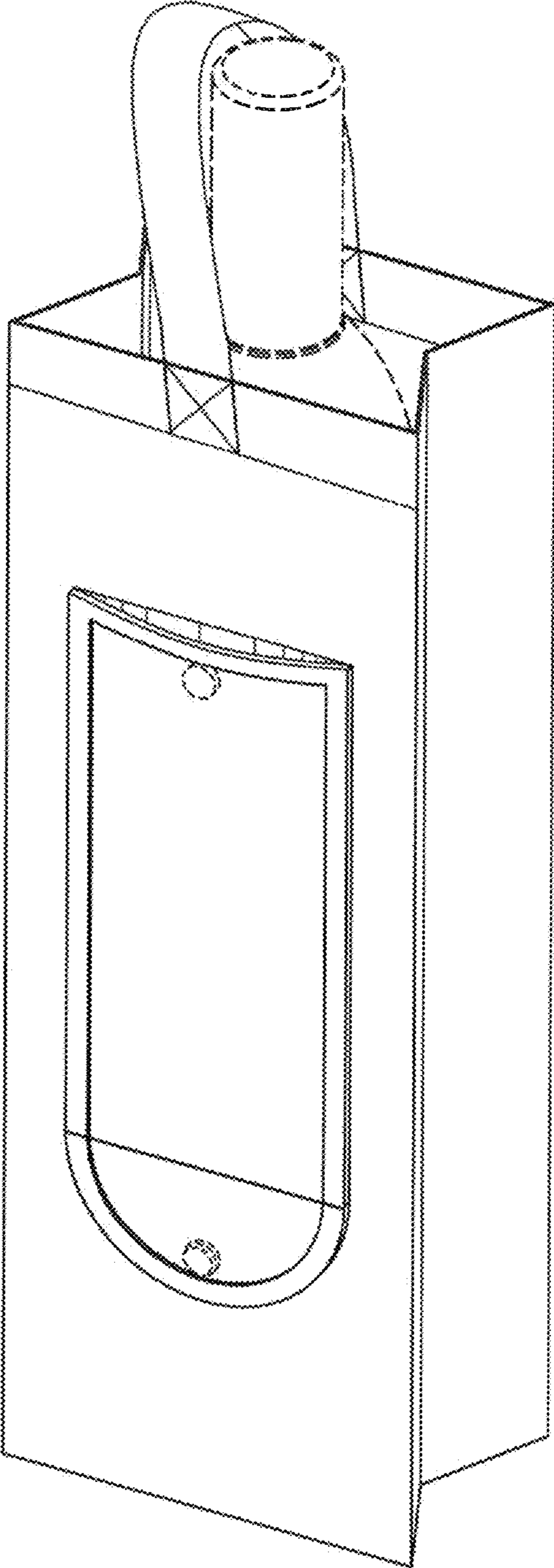


FIG. 2

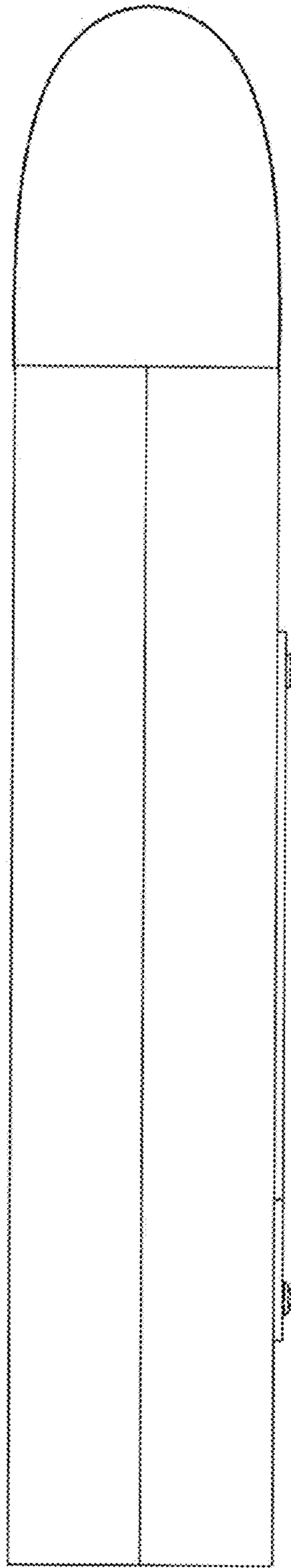


FIG. 3

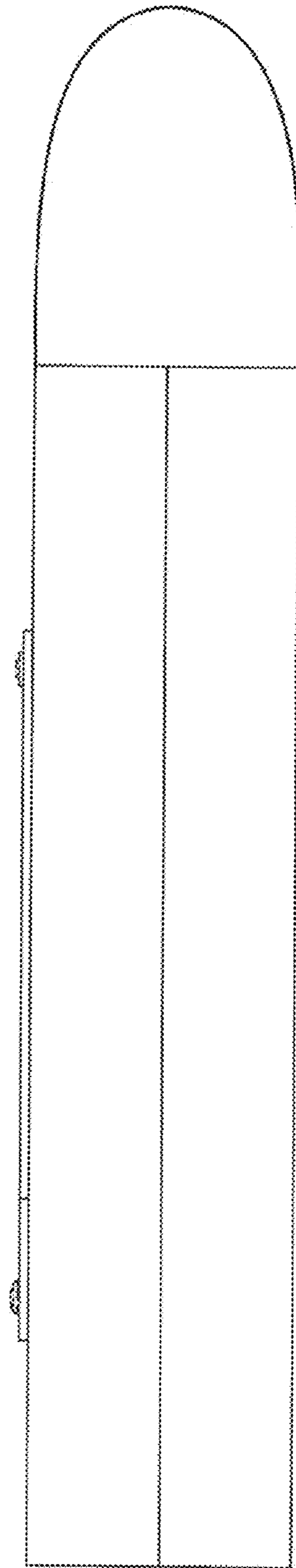


FIG. 4

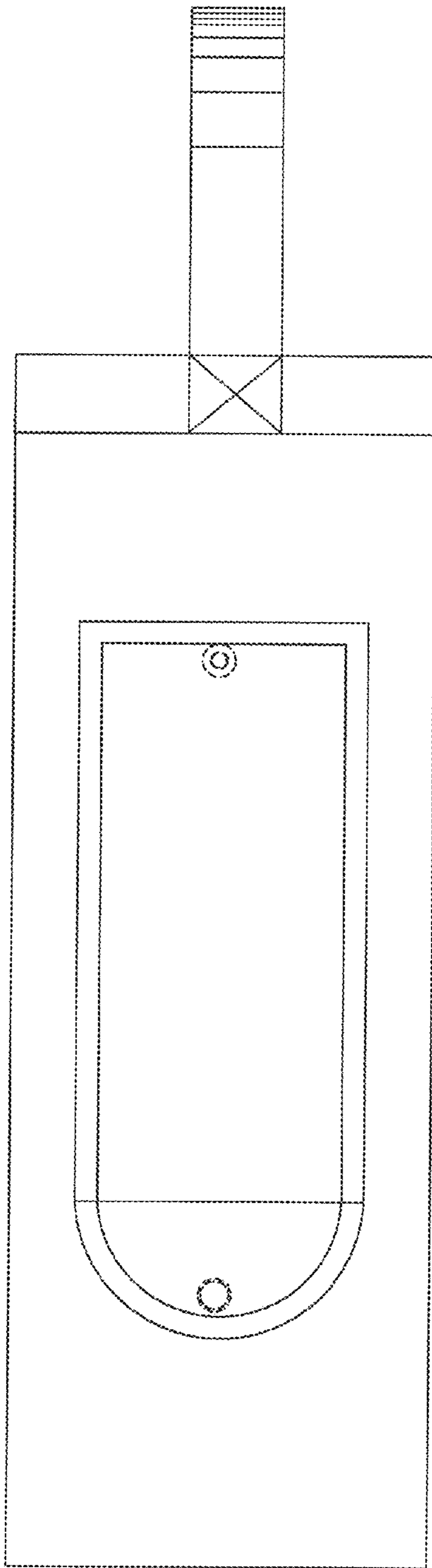


FIG. 5

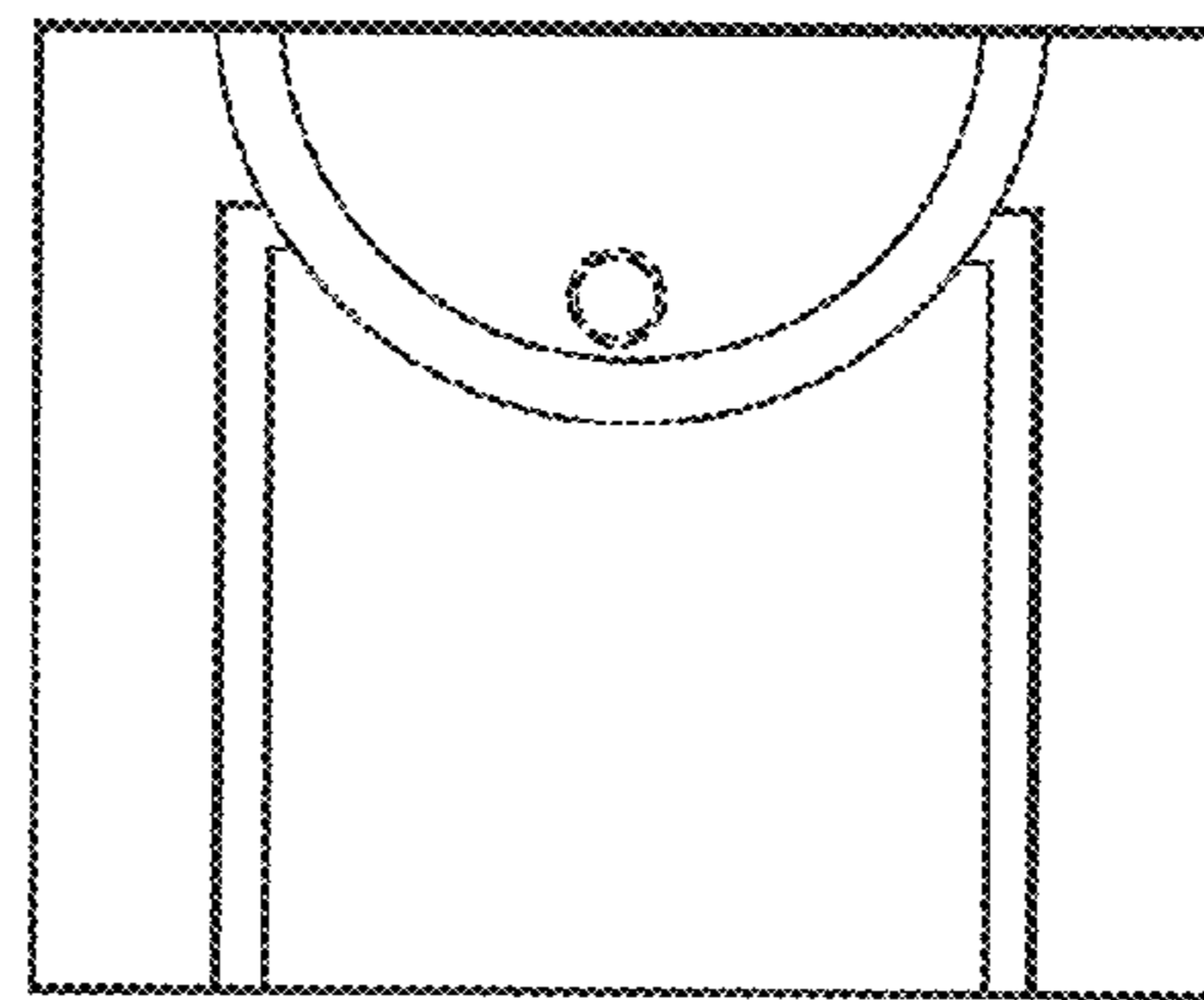


FIG. 6

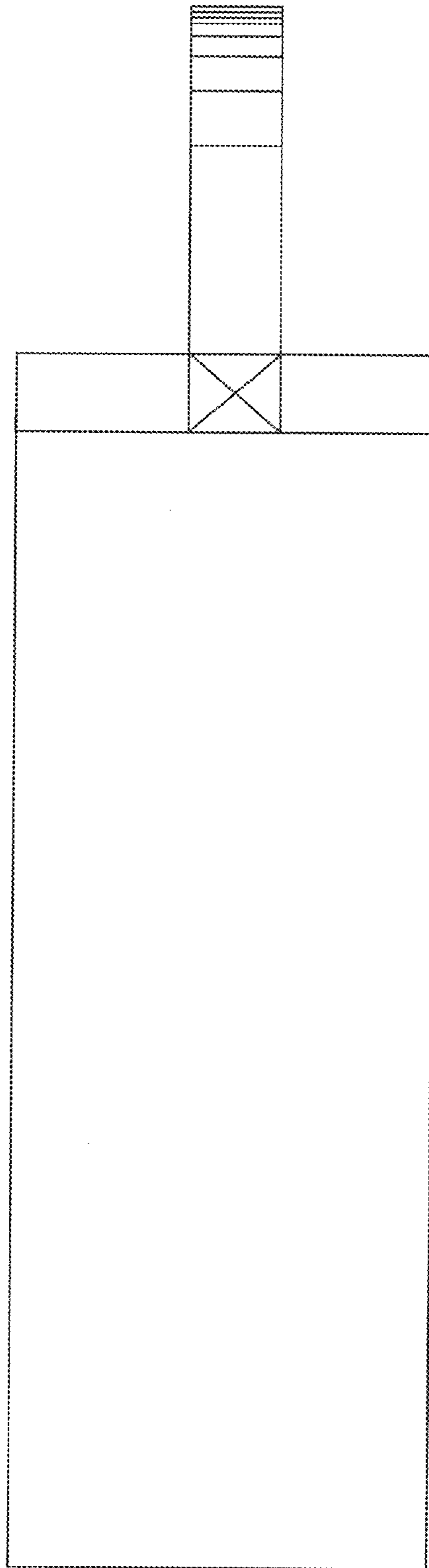


FIG. 7

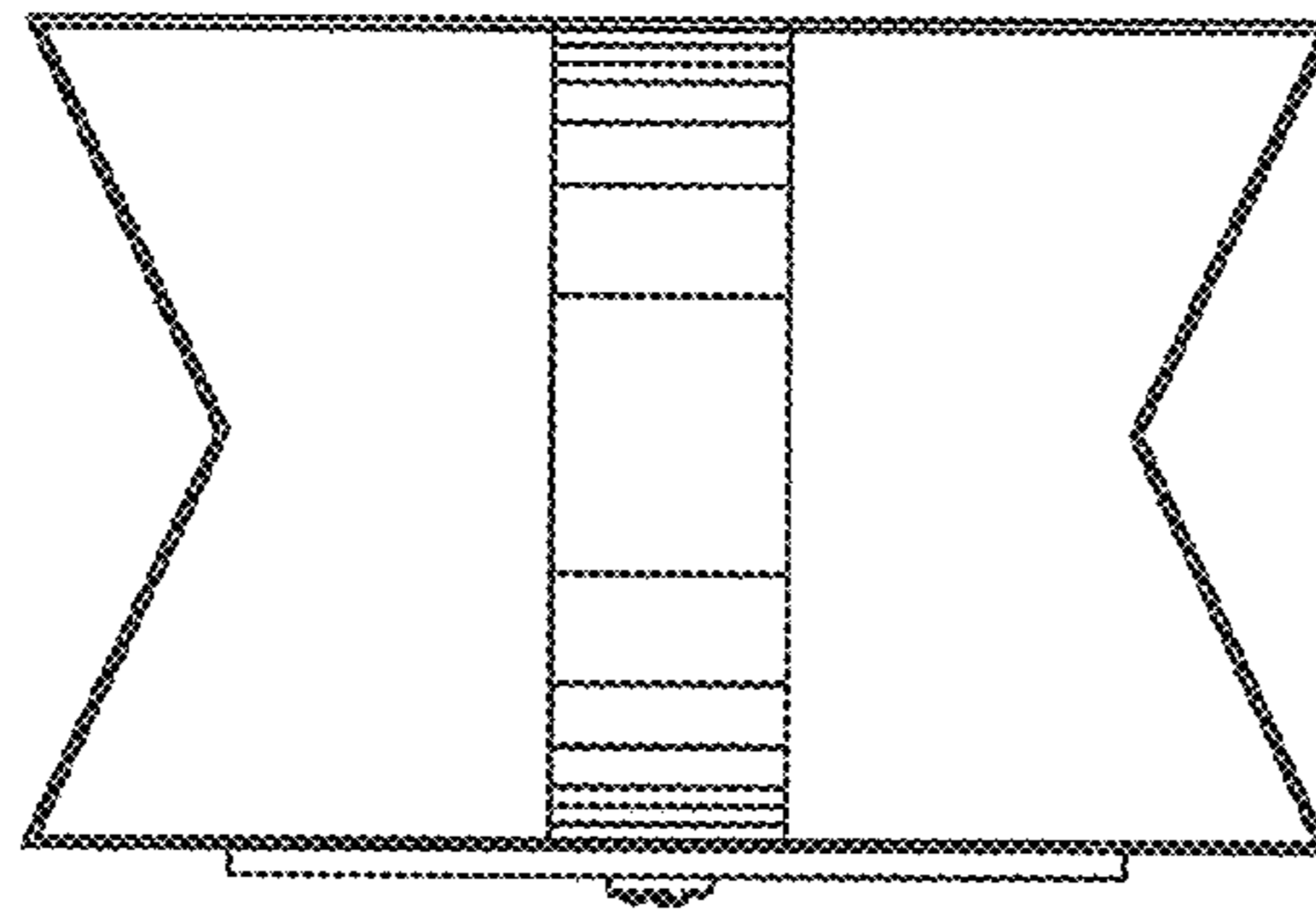


FIG. 8

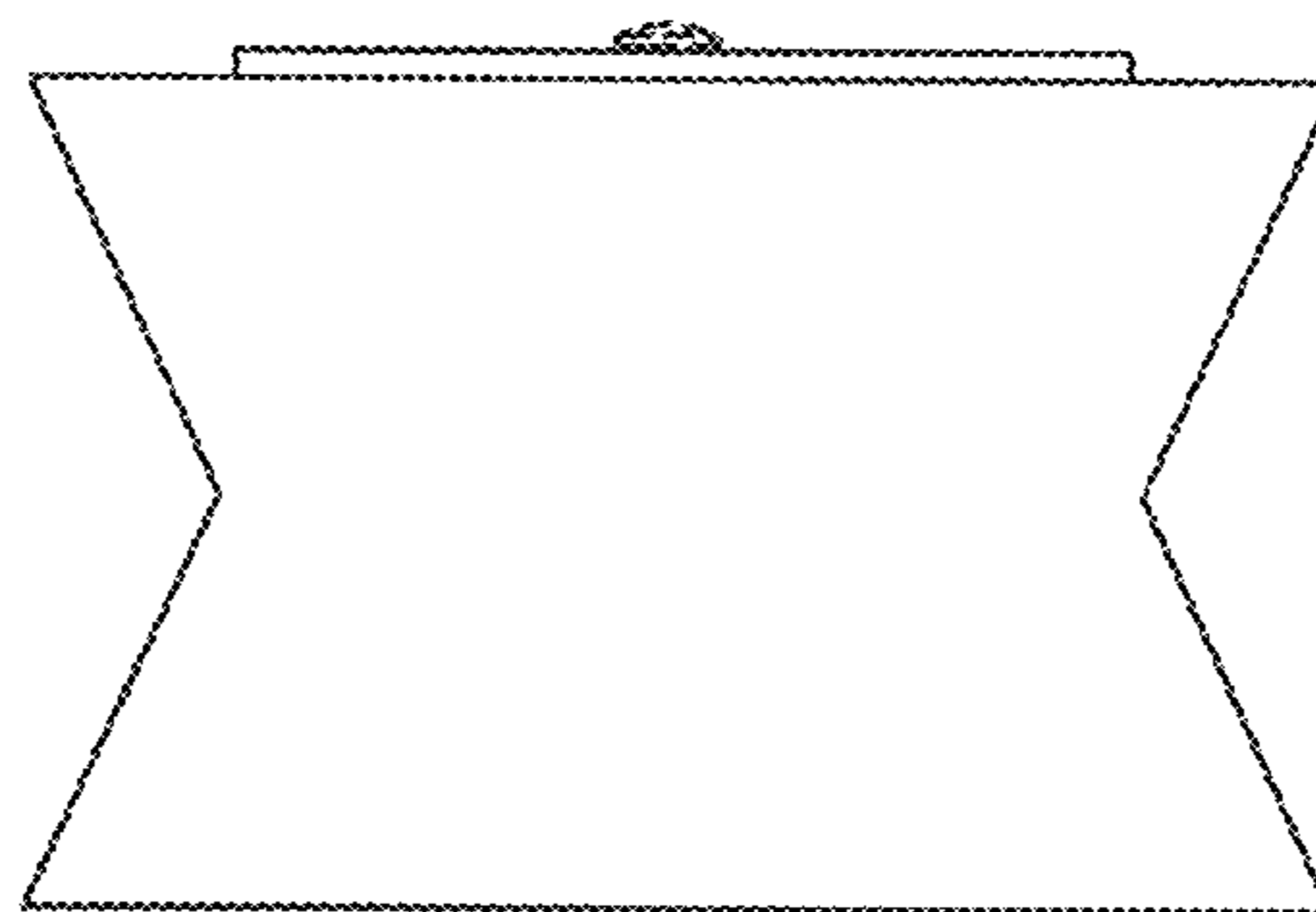


FIG. 9

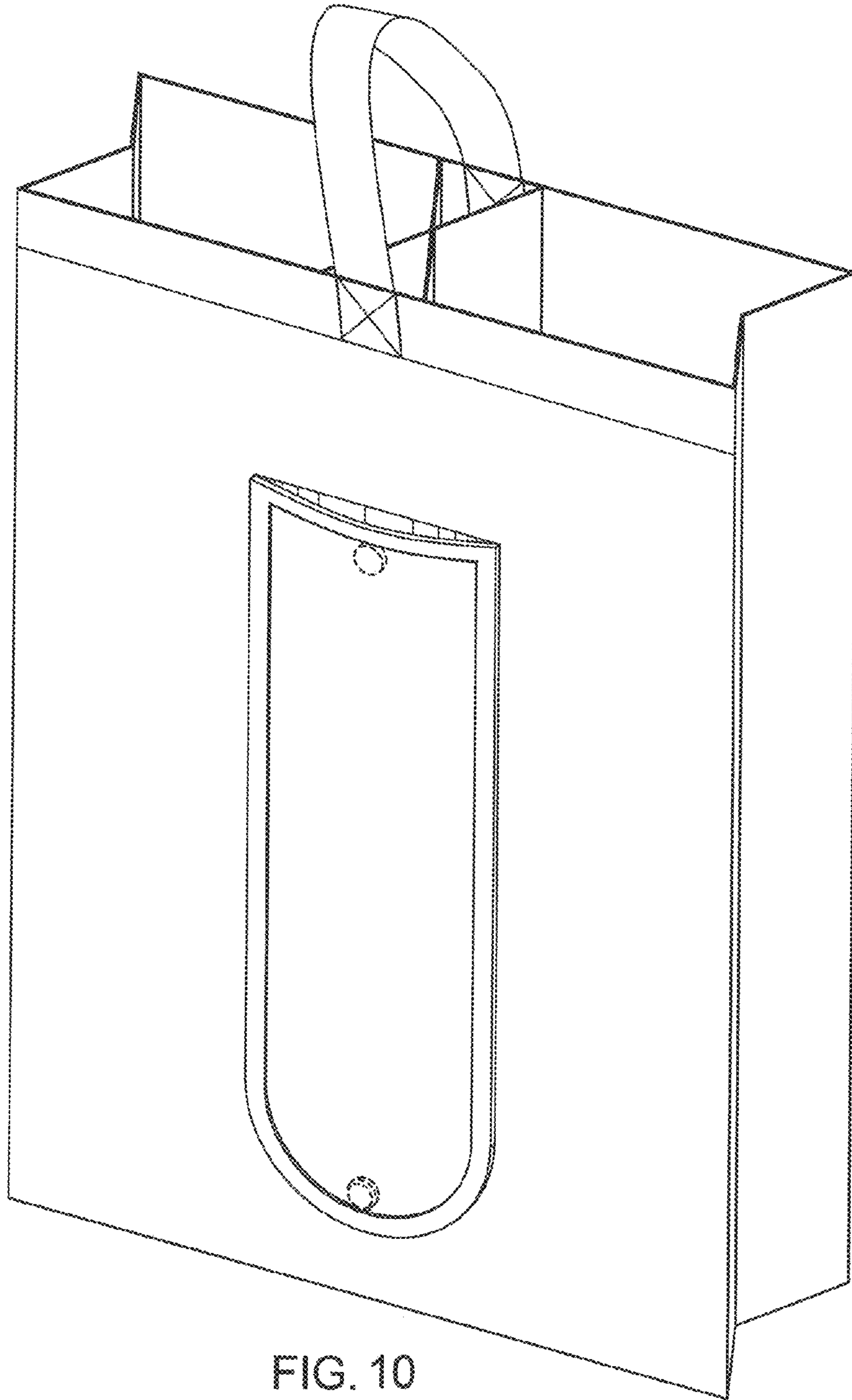


FIG. 10

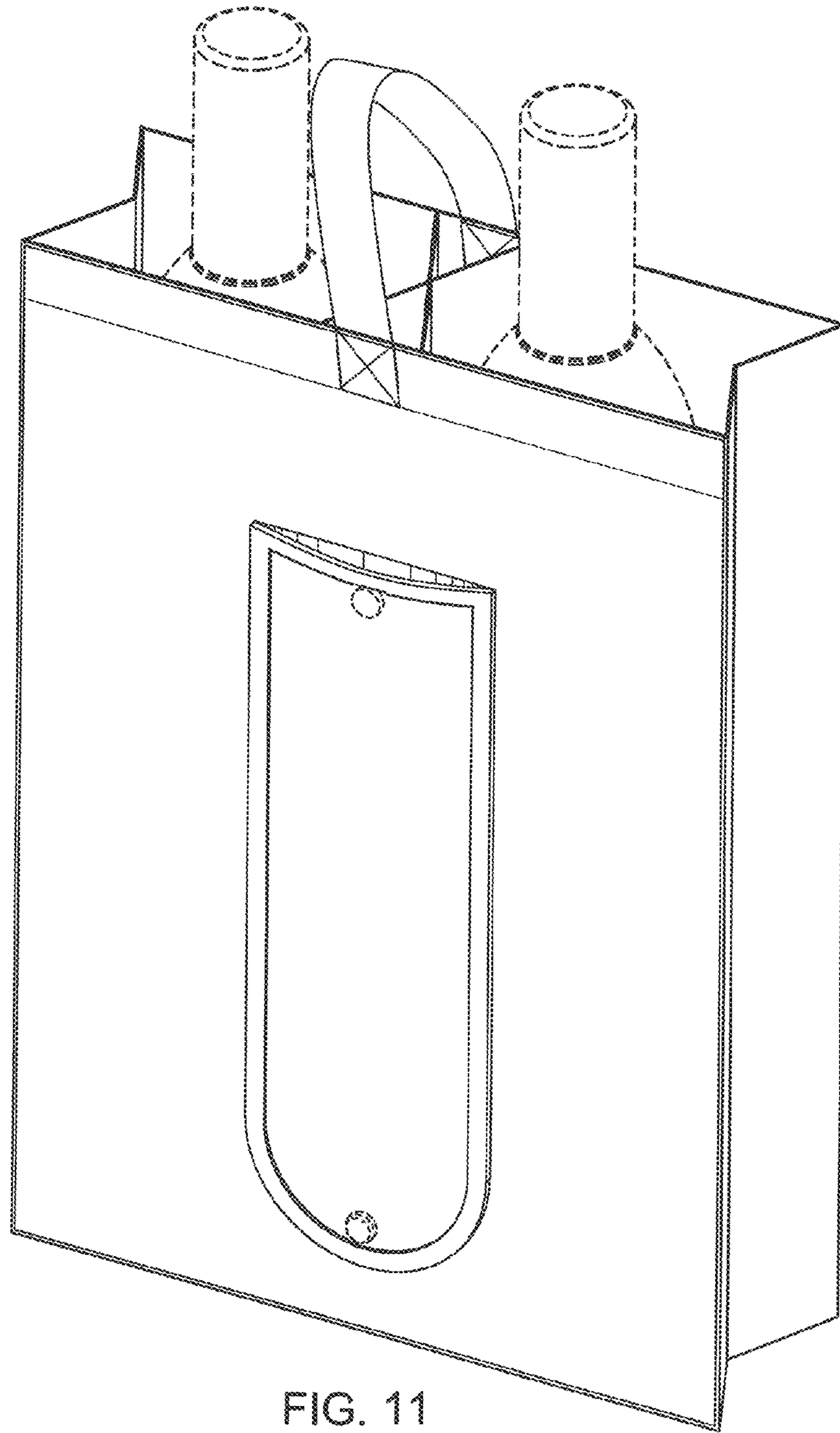


FIG. 11

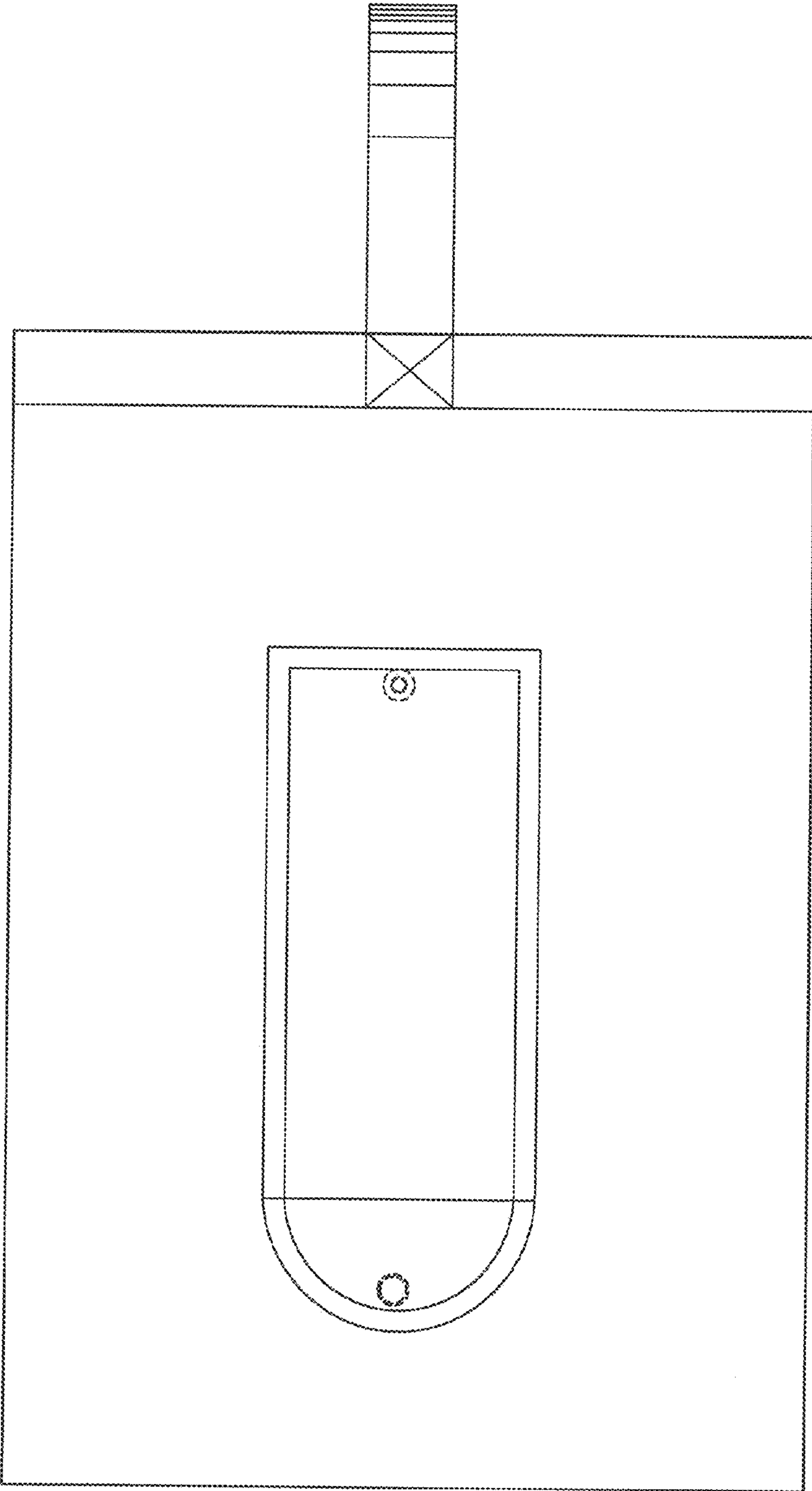


FIG. 12

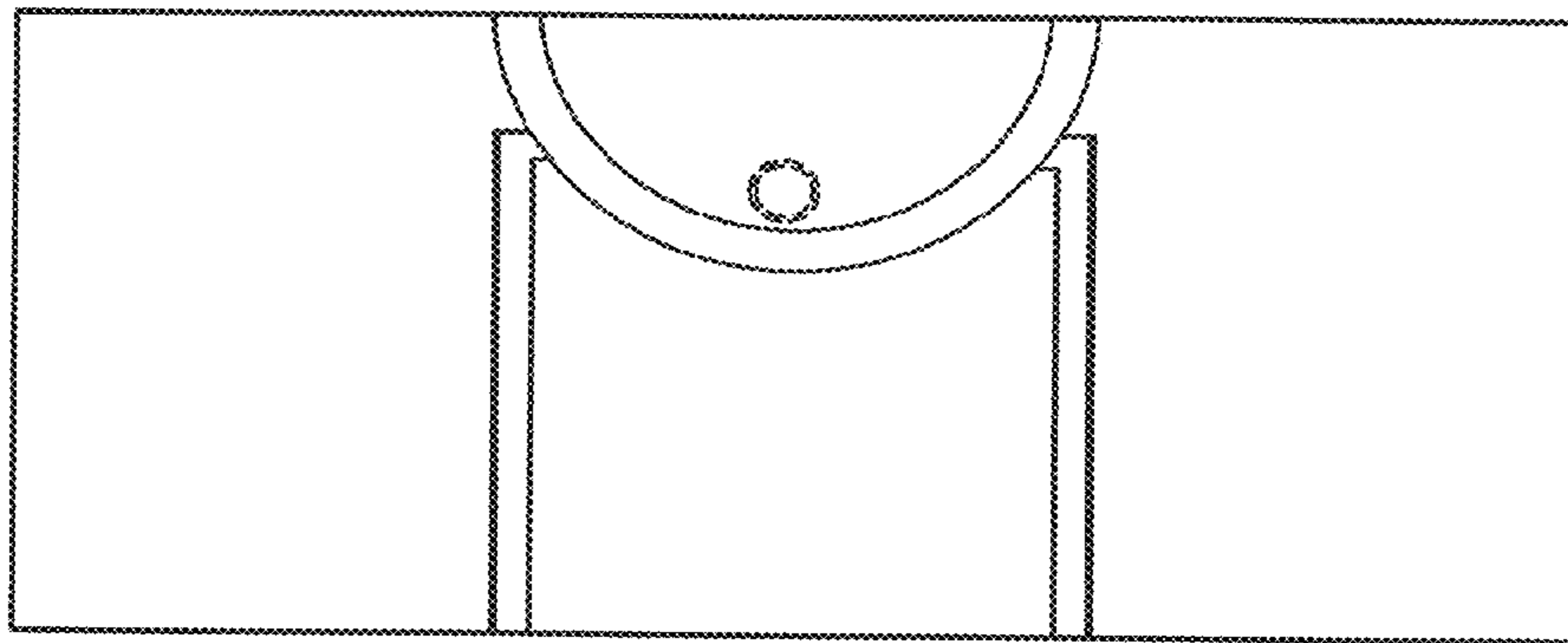


FIG. 13

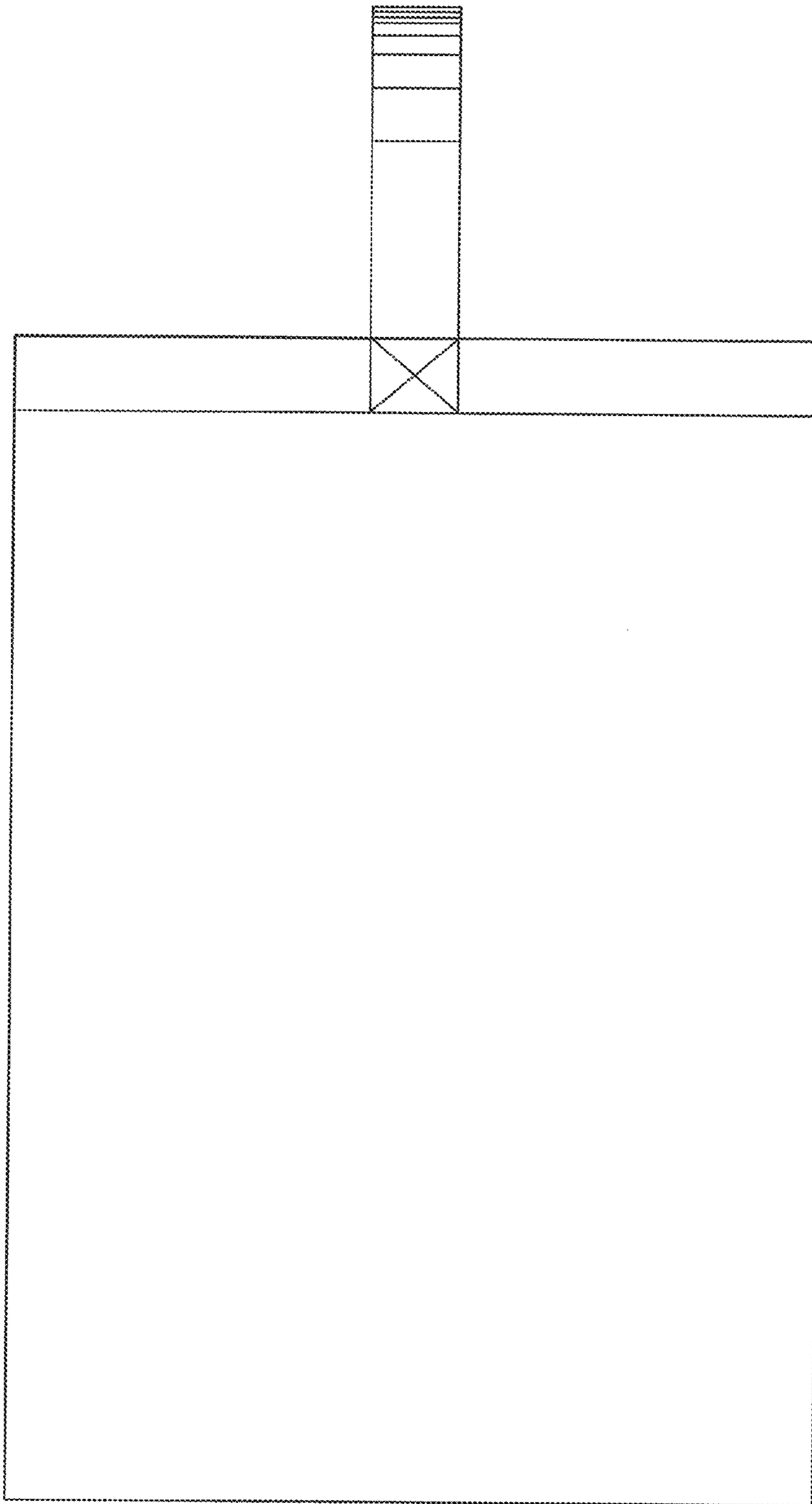


FIG. 14

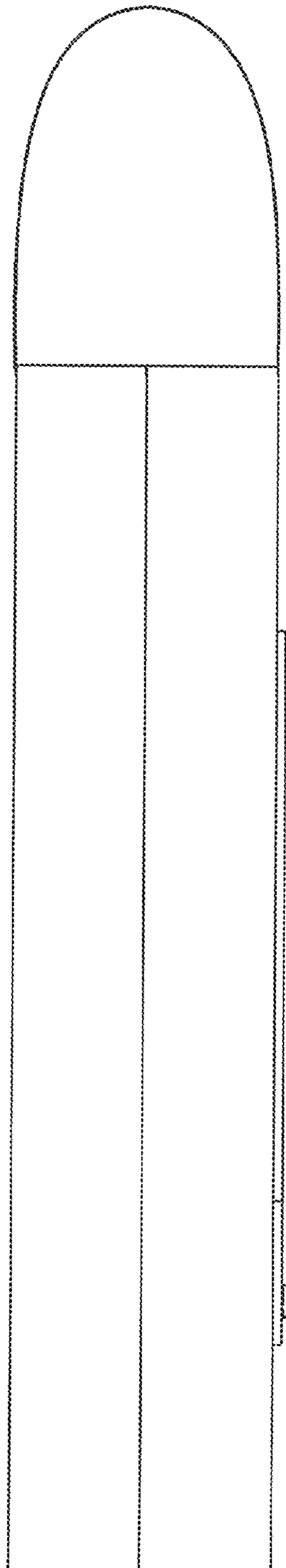


FIG. 15

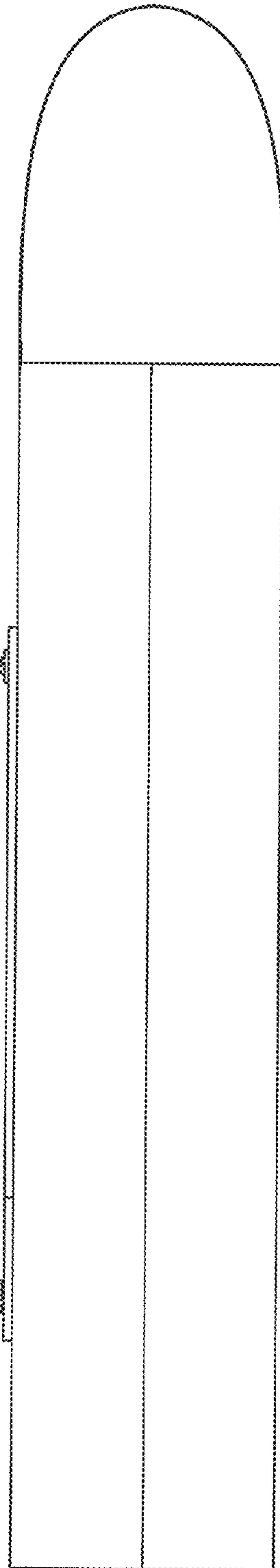


FIG. 16

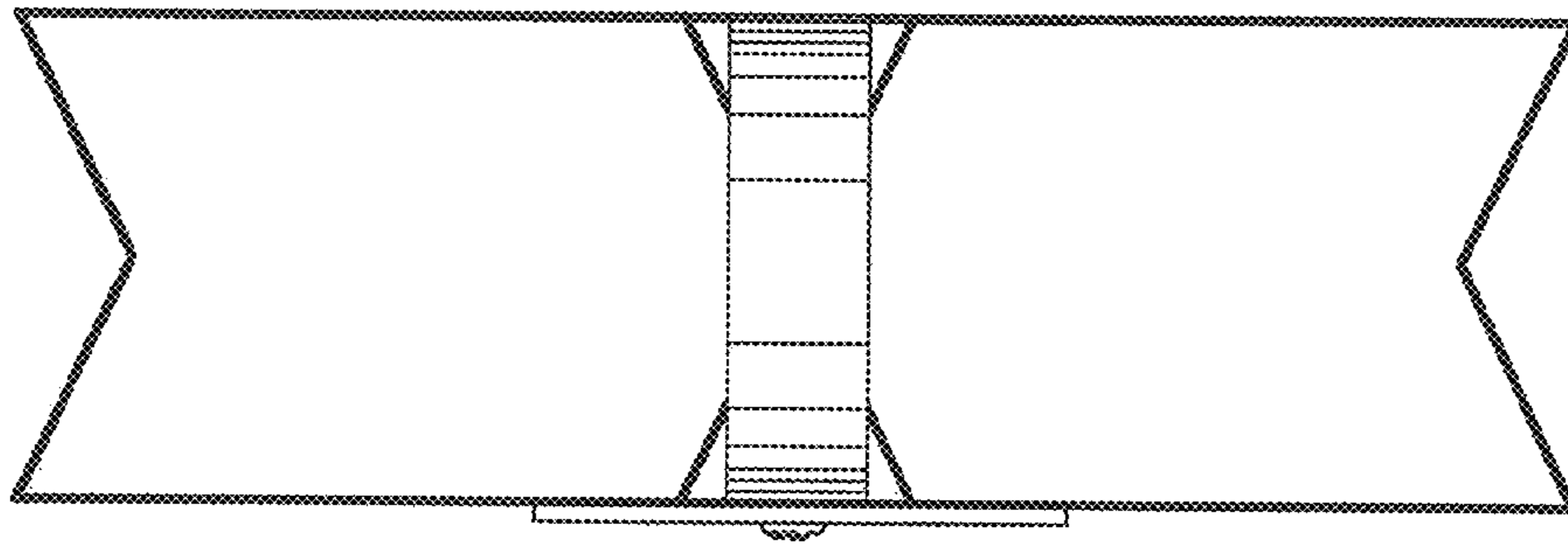


FIG. 17

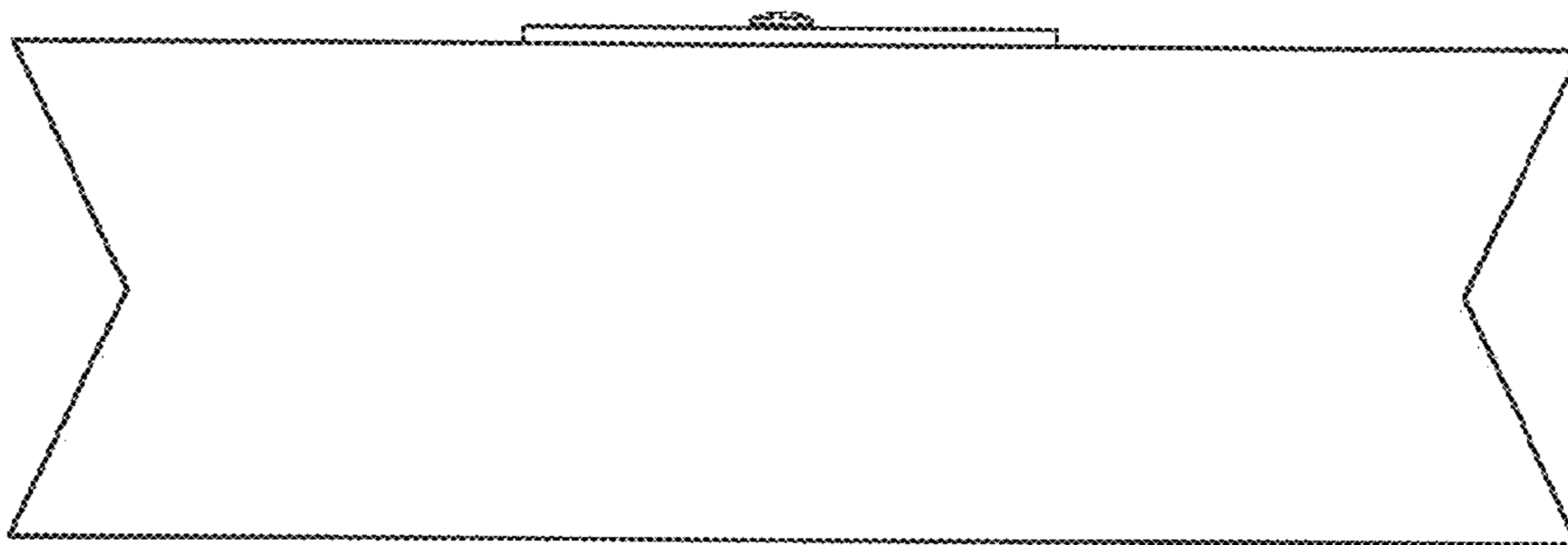


FIG. 18