



US00D767889S

(12) **United States Design Patent** (10) **Patent No.:** **US D767,889 S**
Szal (45) **Date of Patent:** **** *Oct. 4, 2016**

(54) **GLASSES CASE**
(71) Applicant: **Timothy N Szal**, Newton, MA (US)
(72) Inventor: **Timothy N Szal**, Newton, MA (US)
(73) Assignee: **Babiators, LLC**, Atlanta, GA (US)
(*) Notice: This patent is subject to a terminal disclaimer.
(**) Term: **14 Years**
(21) Appl. No.: **29/444,846**
(22) Filed: **Feb. 5, 2013**
(51) **LOC (10) Cl.** **03-01**
(52) **U.S. Cl.**
USPC **D3/265**
(58) **Field of Classification Search**
USPC D3/218, 219, 215, 224, 226, 263-266,
D3/230, 233; 206/5, 5.1, 6; 248/902;
224/908
See application file for complete search history.

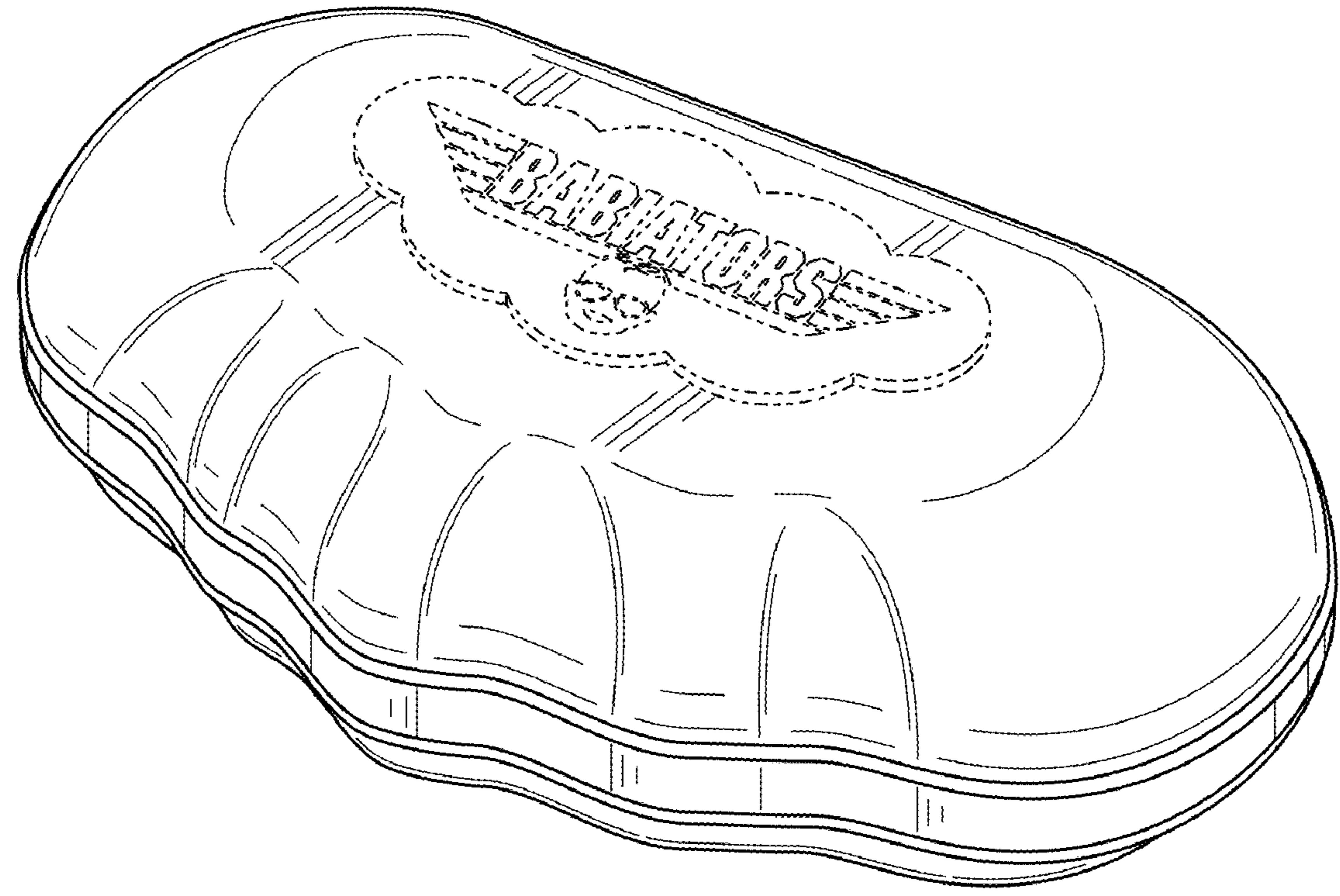
(56) **References Cited**
U.S. PATENT DOCUMENTS
D27,622 S * 9/1897 Zoerb D3/265
D133,143 S * 7/1942 Nathan D3/265
D155,480 S * 10/1949 Castelli D3/265
D341,482 S * 11/1993 McMillan D3/265
D405,263 S * 2/1999 Au D3/294

D425,300 S * 5/2000 Wisniewski D3/265
D451,674 S * 12/2001 Leins D3/301
D528,299 S * 9/2006 Kim D3/294
D544,712 S * 6/2007 Au D3/265
D551,440 S * 9/2007 Stewart et al. D3/203.3
D586,557 S * 2/2009 Jalet D3/294
D661,943 S * 6/2012 Pallotto et al. D7/354
D674,181 S * 1/2013 Faulkner et al. D3/203.1
* cited by examiner
Primary Examiner — Thomas Johannes
Assistant Examiner — Holly E Thurman
(74) *Attorney, Agent, or Firm* — Ascentage Law, PLLC

(57) **CLAIM**
The ornamental design for a glasses case, as shown and described.

DESCRIPTION
FIG. 1 is a top perspective view of a glasses case showing my new design;
FIG. 2 is a front view thereof;
FIG. 3 is a back view thereof;
FIG. 4 is a left side view thereof;
FIG. 5 is a right side view thereof;
FIG. 6 is a top plan view thereof; and,
FIG. 7 is a bottom plan view thereof.
The ornamental design, which is claimed, is shown in solid lines in the drawings. Any broken lines in the drawings depict unclaimed subject matter only and form no part of the claimed design.

1 Claim, 6 Drawing Sheets



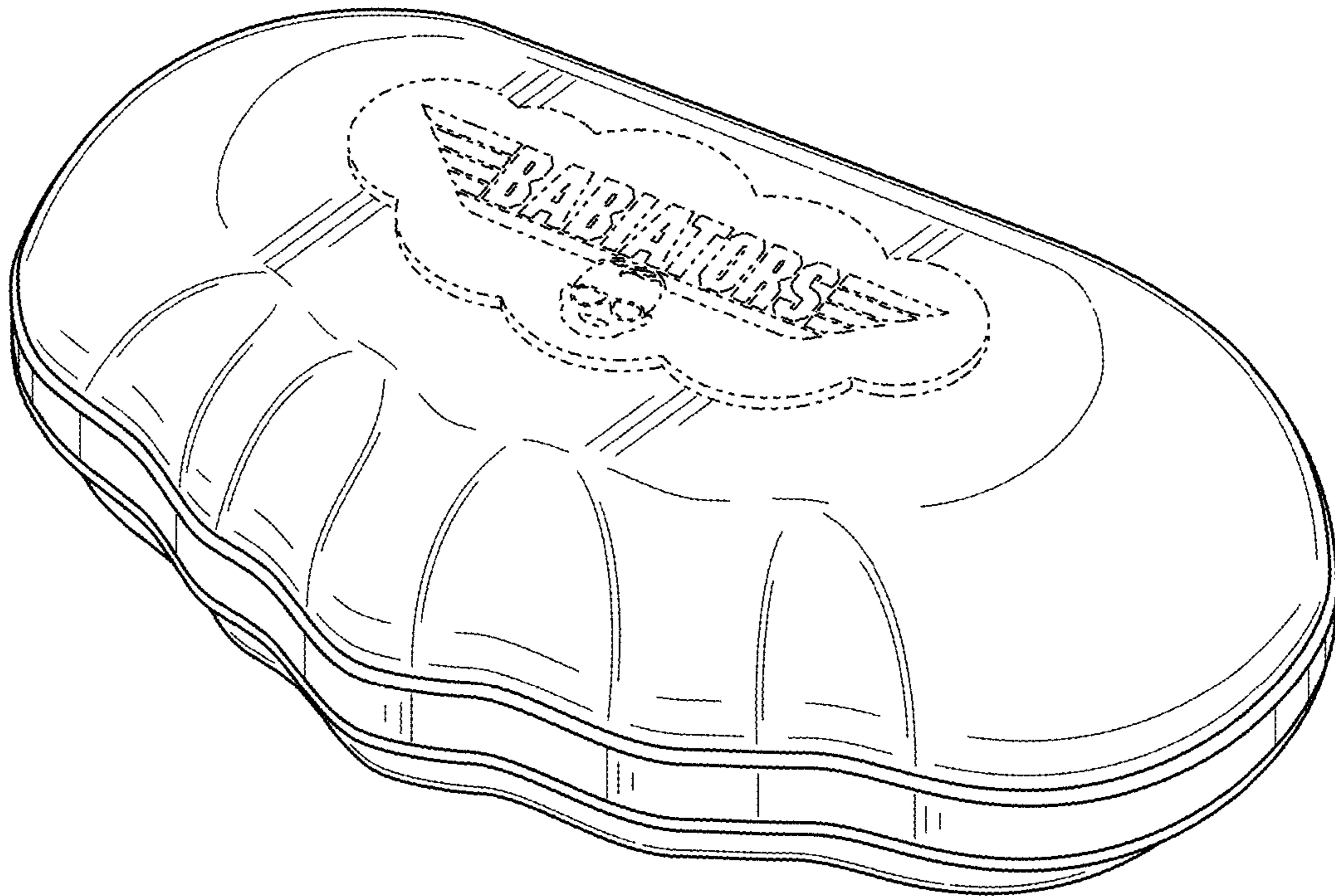


FIG. 1

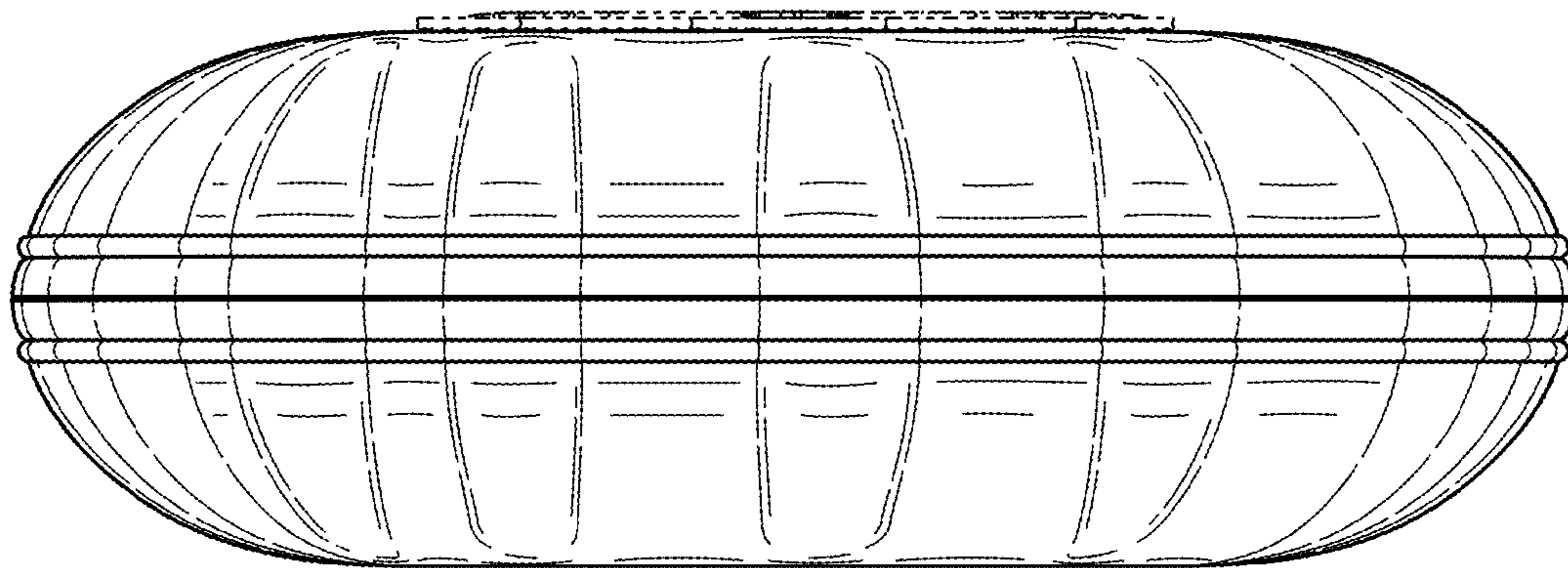


FIG. 2

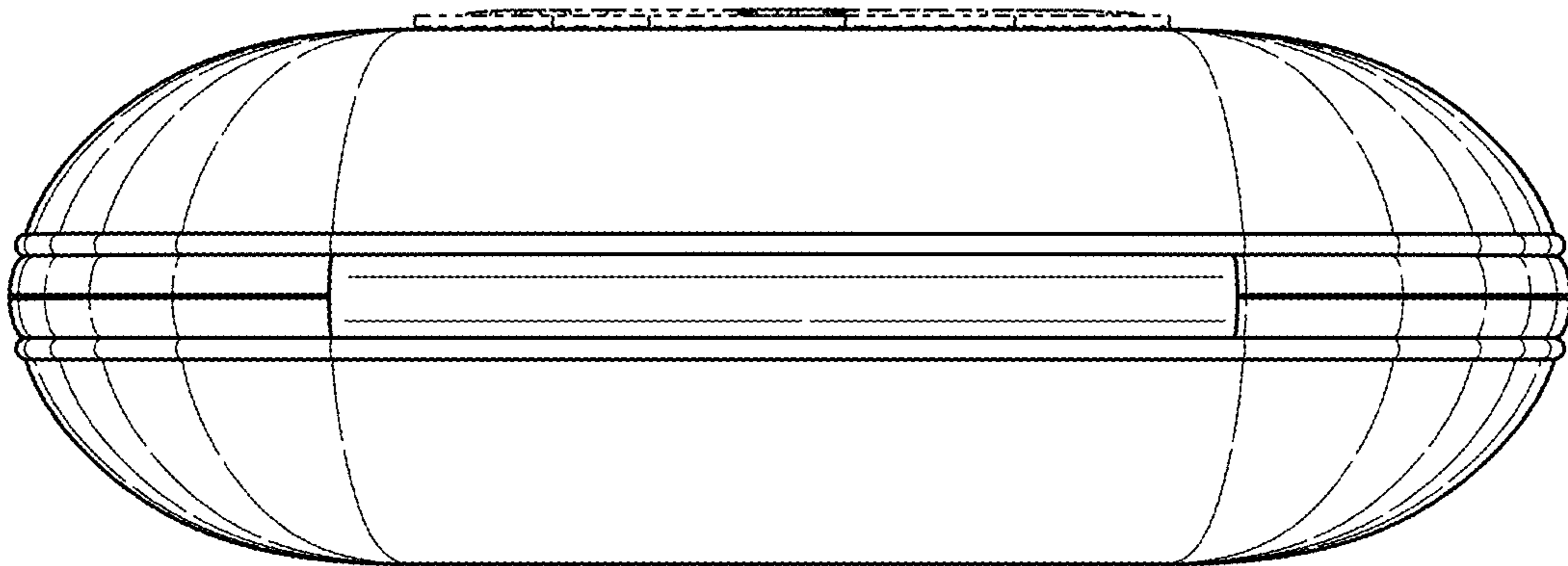


FIG. 3

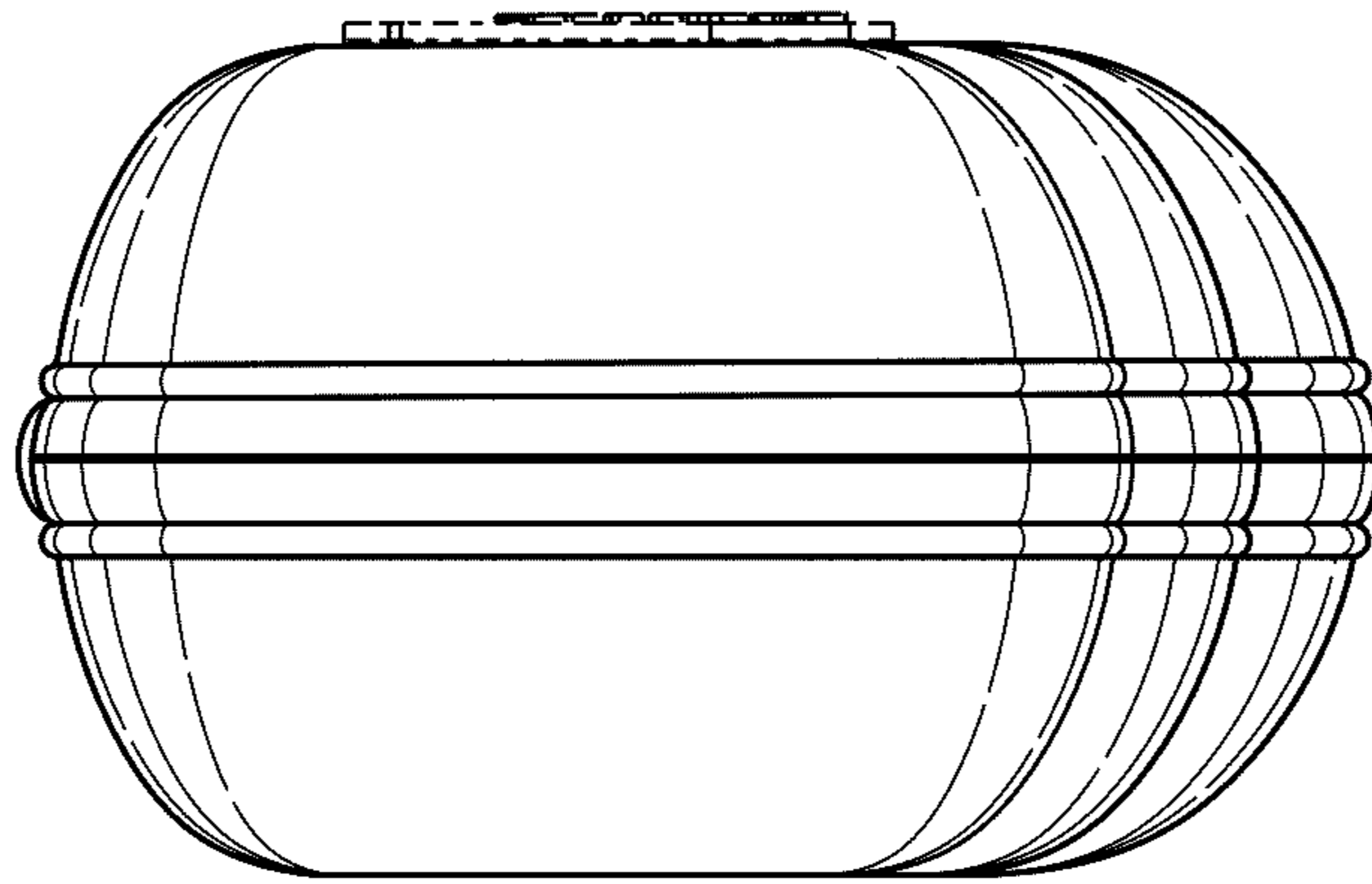


FIG. 4

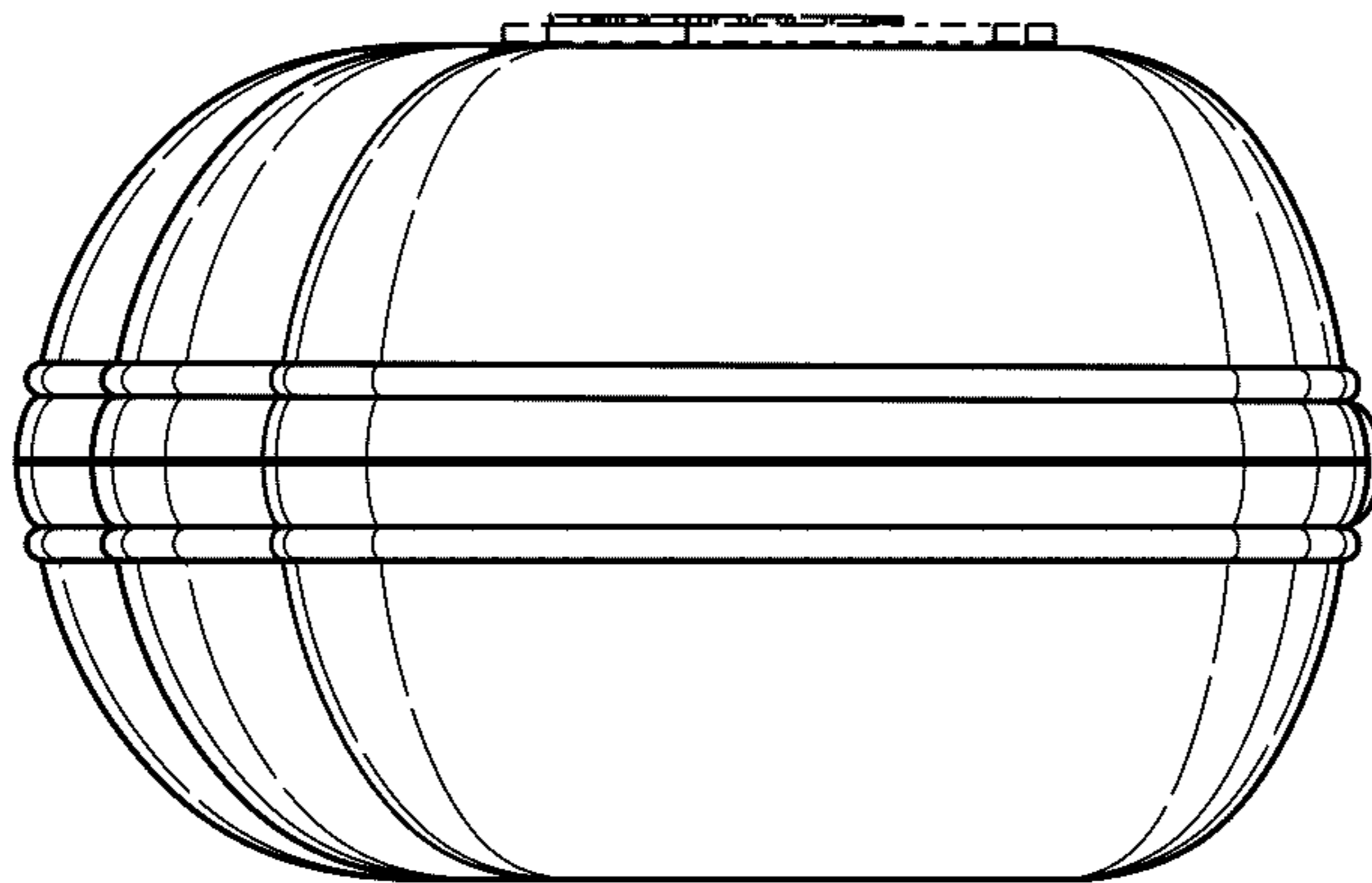


FIG. 5

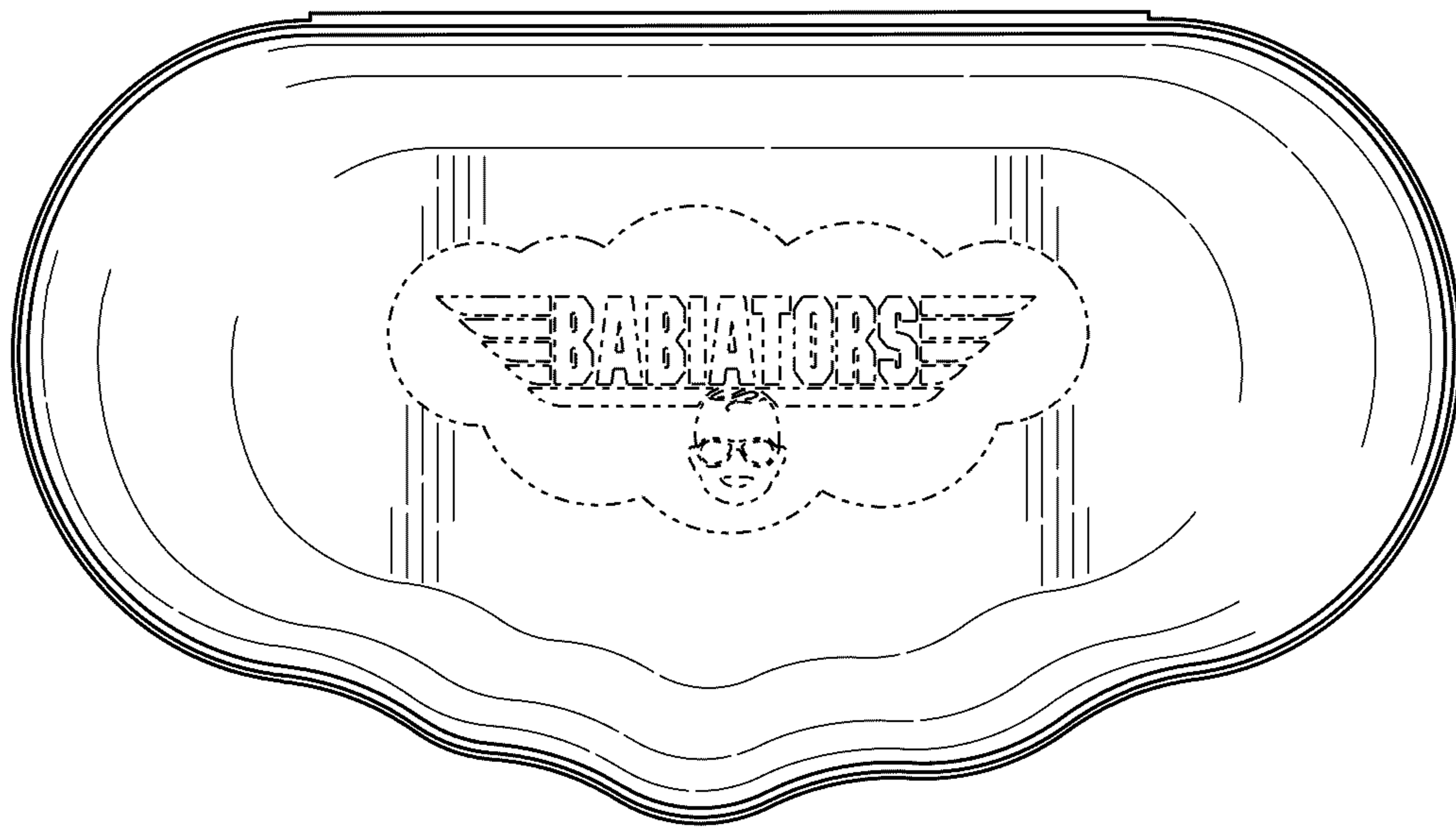


FIG. 6

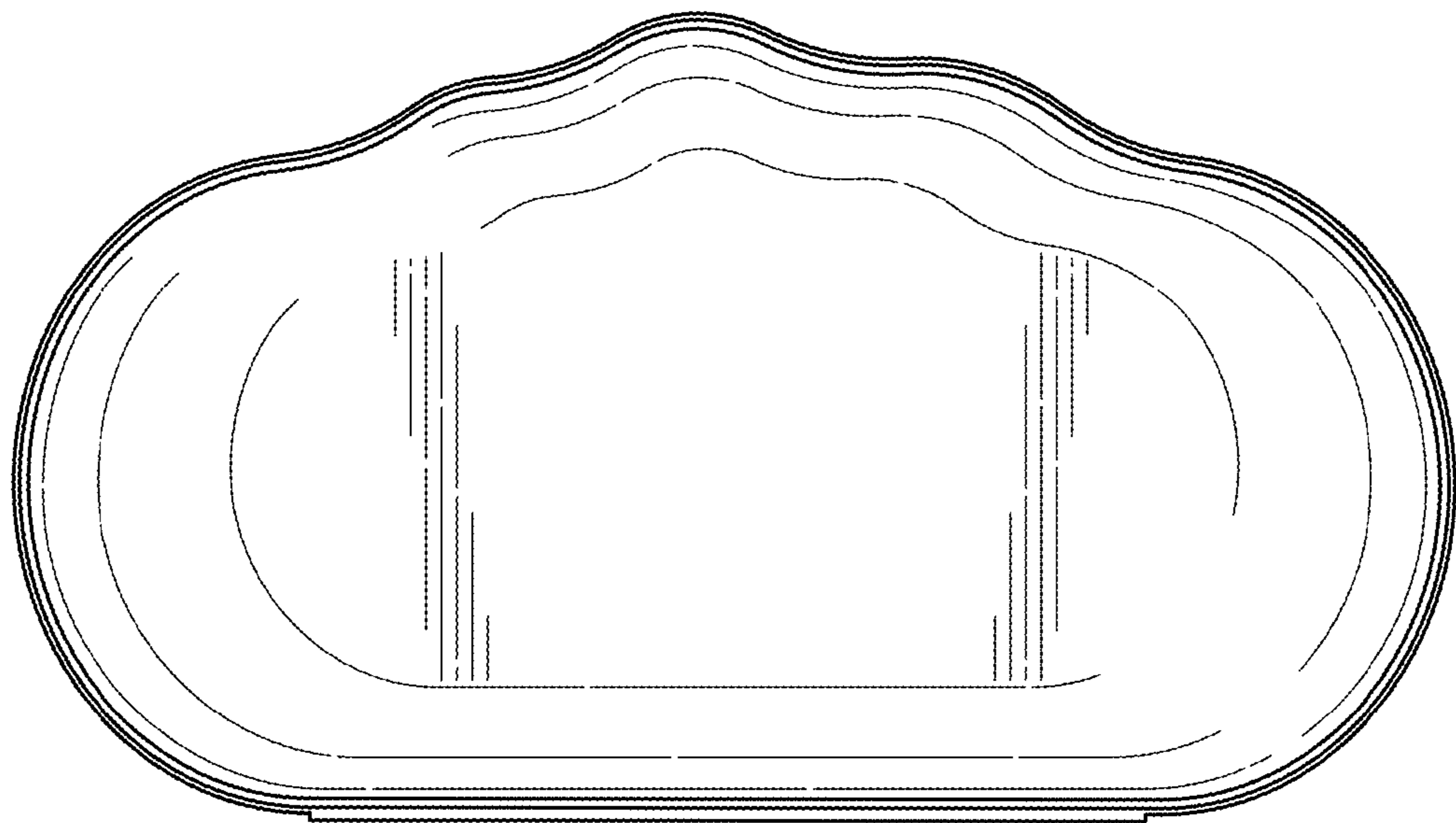


FIG. 7