

US00D767888S

(12) **United States Design Patent** (10) **Patent No.:** **US D767,888 S**
Kim (45) **Date of Patent:** **** Oct. 4, 2016**

(54) **DIARY CASE**

D223,644 S * 5/1972 Croon 150/147
D414,033 S * 9/1999 Rohm D3/201
D586,121 S * 2/2009 Holzner D3/247
D713,641 S * 9/2014 Batle D3/247

(71) Applicant: **Younghoon Kim**, Seoul (KR)

* cited by examiner

(72) Inventor: **Younghoon Kim**, Seoul (KR)

Primary Examiner — Holly Baynham

(73) Assignee: **MERCURY CORPORATION, LTD.**,
Seoul (KR)

(74) *Attorney, Agent, or Firm* — John K. Park; Park Law Firm

(**) Term: **14 Years**

(57) **CLAIM**

(21) Appl. No.: **29/524,996**

The ornamental design for a diary case, as shown and described.

(22) Filed: **Apr. 24, 2015**

DESCRIPTION

(51) **LOC (10) Cl.** **03-01**

FIG. 1 is a perspective view of a diary case showing my new design;

(52) **U.S. Cl.**

FIG. 2 is a front view thereof;

USPC **D3/249**

FIG. 3 is a rear view thereof;

(58) **Field of Classification Search**

USPC D3/247, 249–253, 300

FIG. 4 is a left view thereof;

CPC A45C 1/06; A45C 3/08

FIG. 5 is a right side view thereof;

See application file for complete search history.

FIG. 6 is a top plan view thereof;

FIG. 7 is a bottom view thereof;

(56) **References Cited**

FIG. 8 is an opened front view thereof;

U.S. PATENT DOCUMENTS

FIG. 9 is an opened perspective view thereof; and,

D165,562 S * 12/1951 Thomas D3/250

FIG. 10 is an opened partially upright view thereof.

D189,954 S * 3/1961 Berry D3/247

The broken lines are for the purposes of illustrating environment and form no part of the claimed design.

3,369,585 A * 2/1968 Martinsen A45C 11/182

150/137

1 Claim, 5 Drawing Sheets

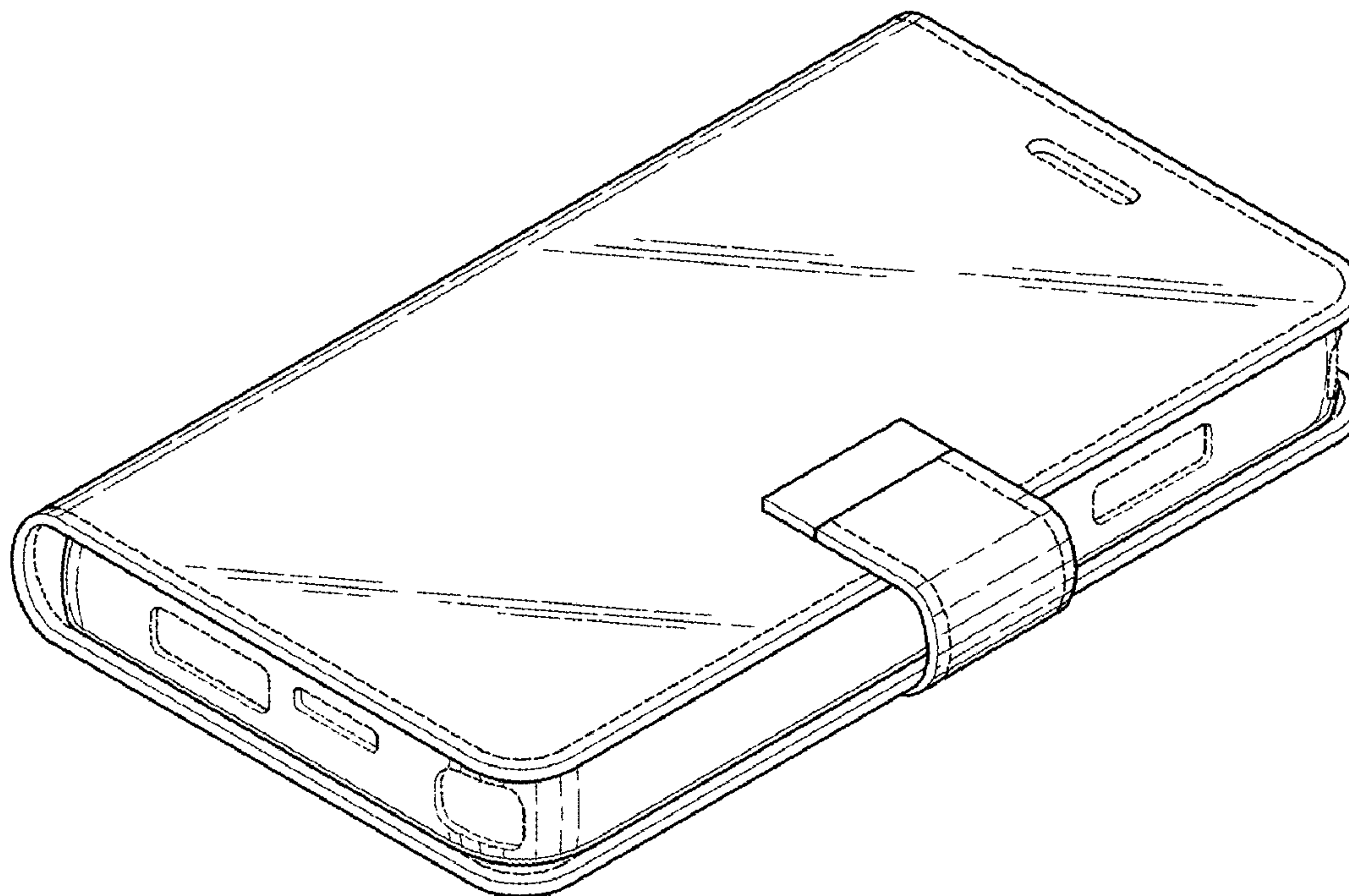


FIG. 1

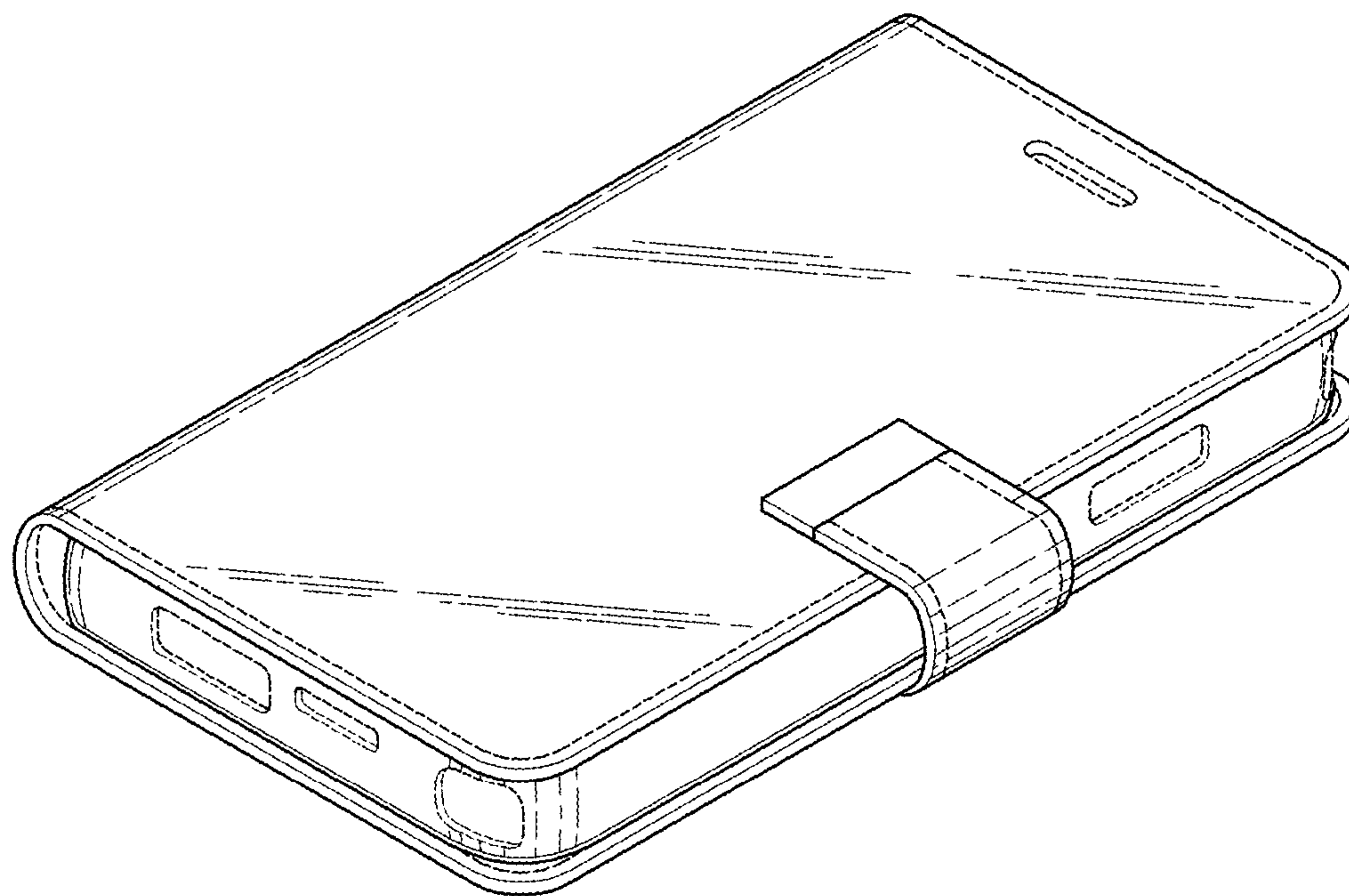


FIG. 2

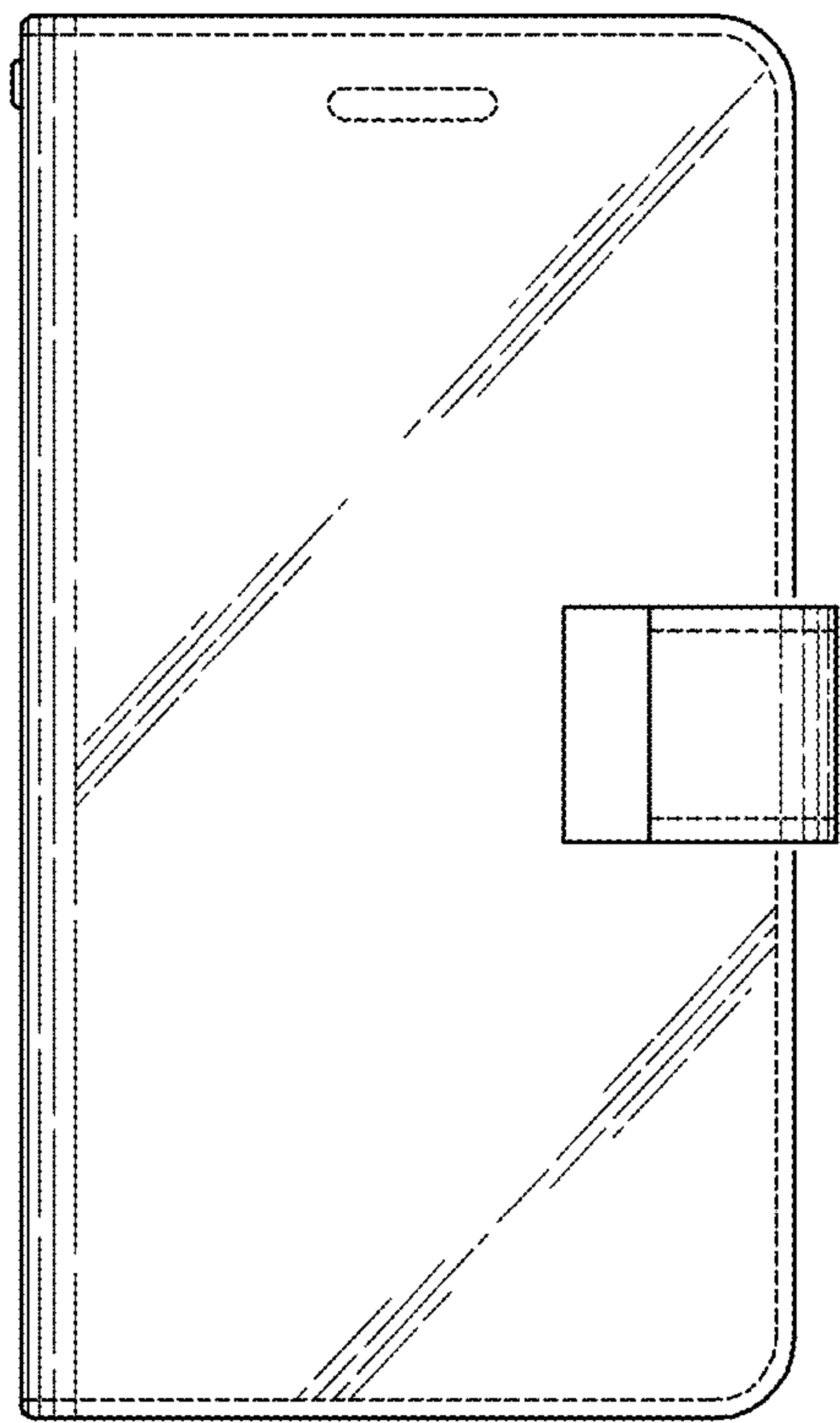


FIG. 3

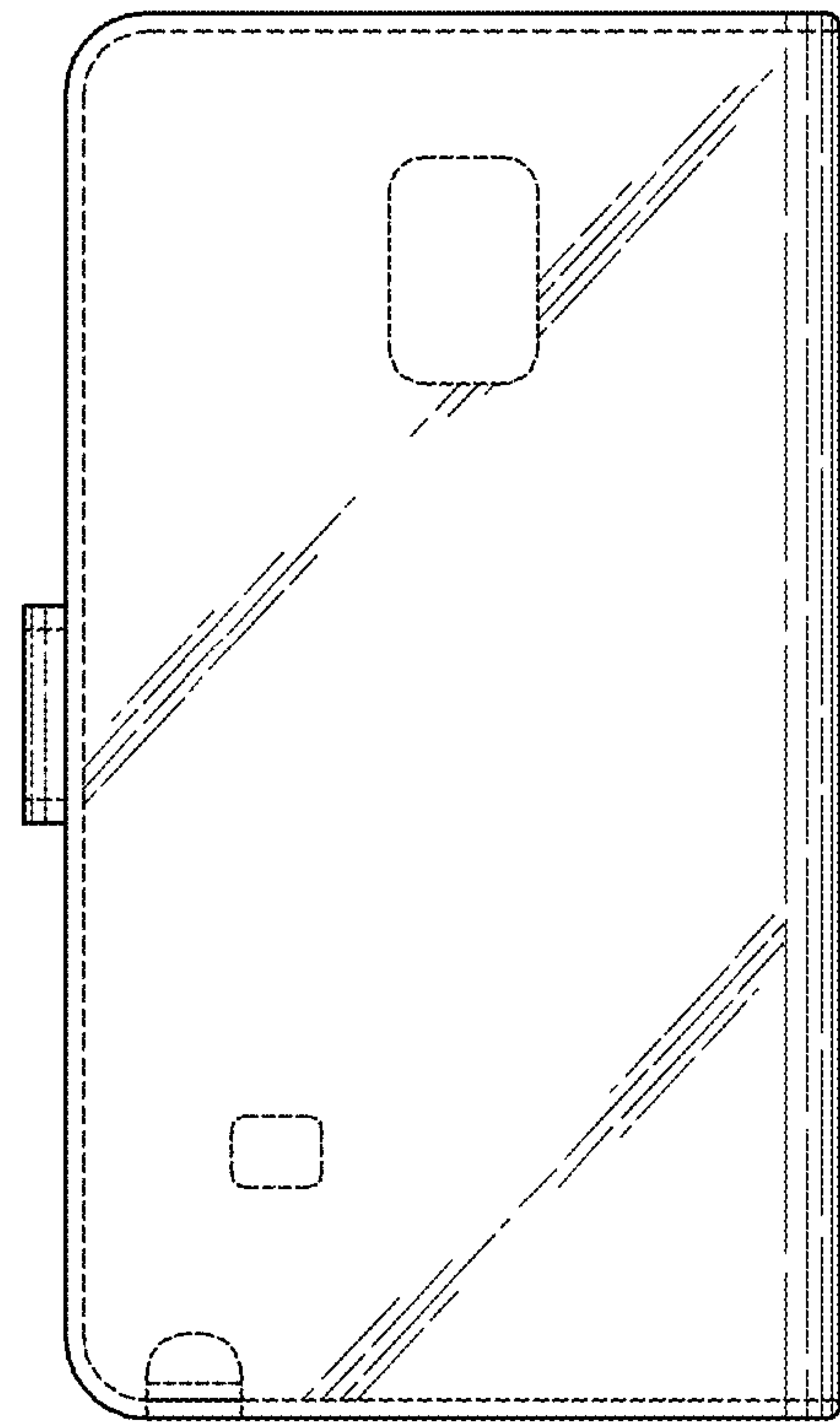


FIG. 4



FIG. 5

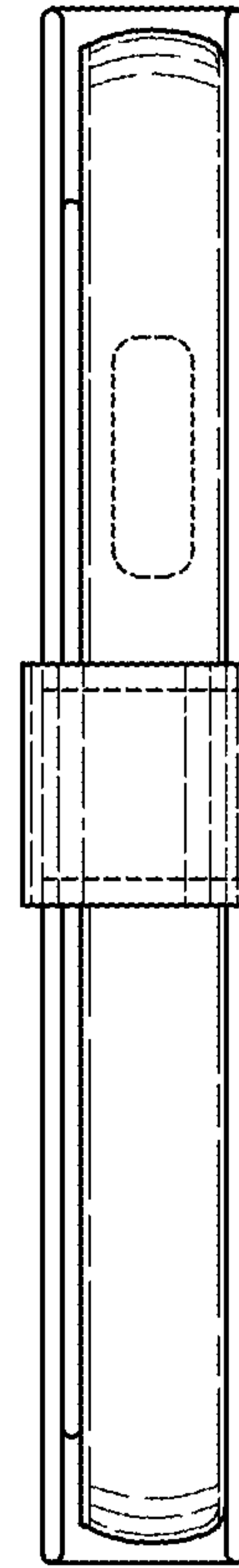


FIG. 6

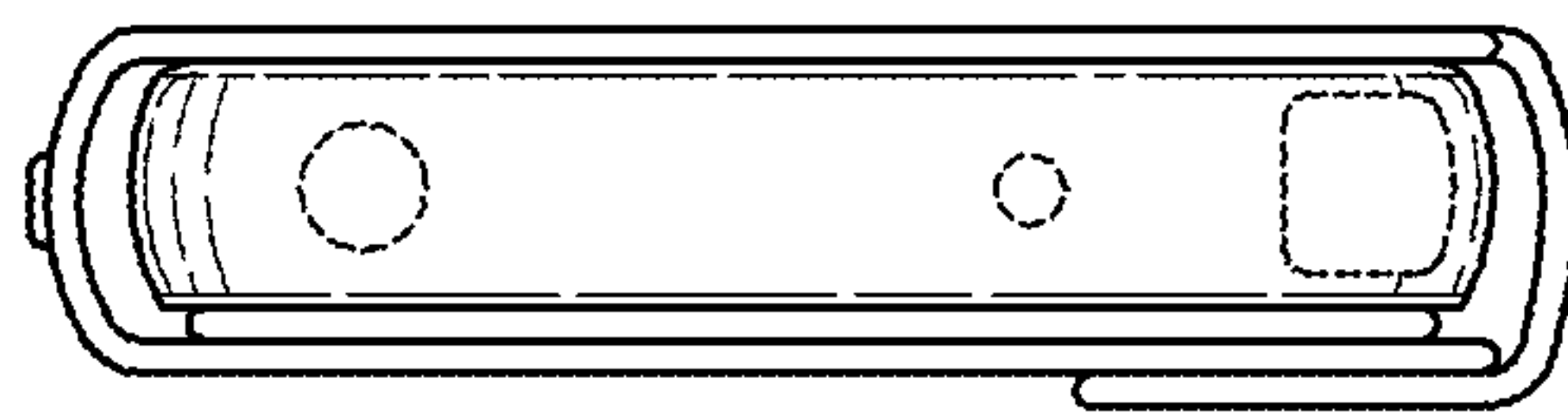


FIG. 7

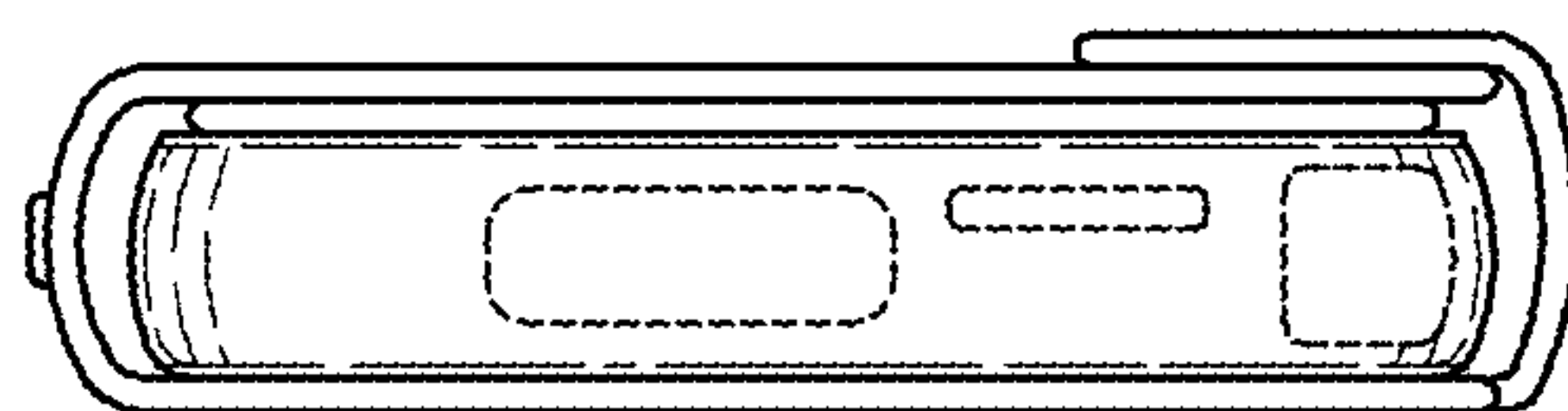


FIG. 8

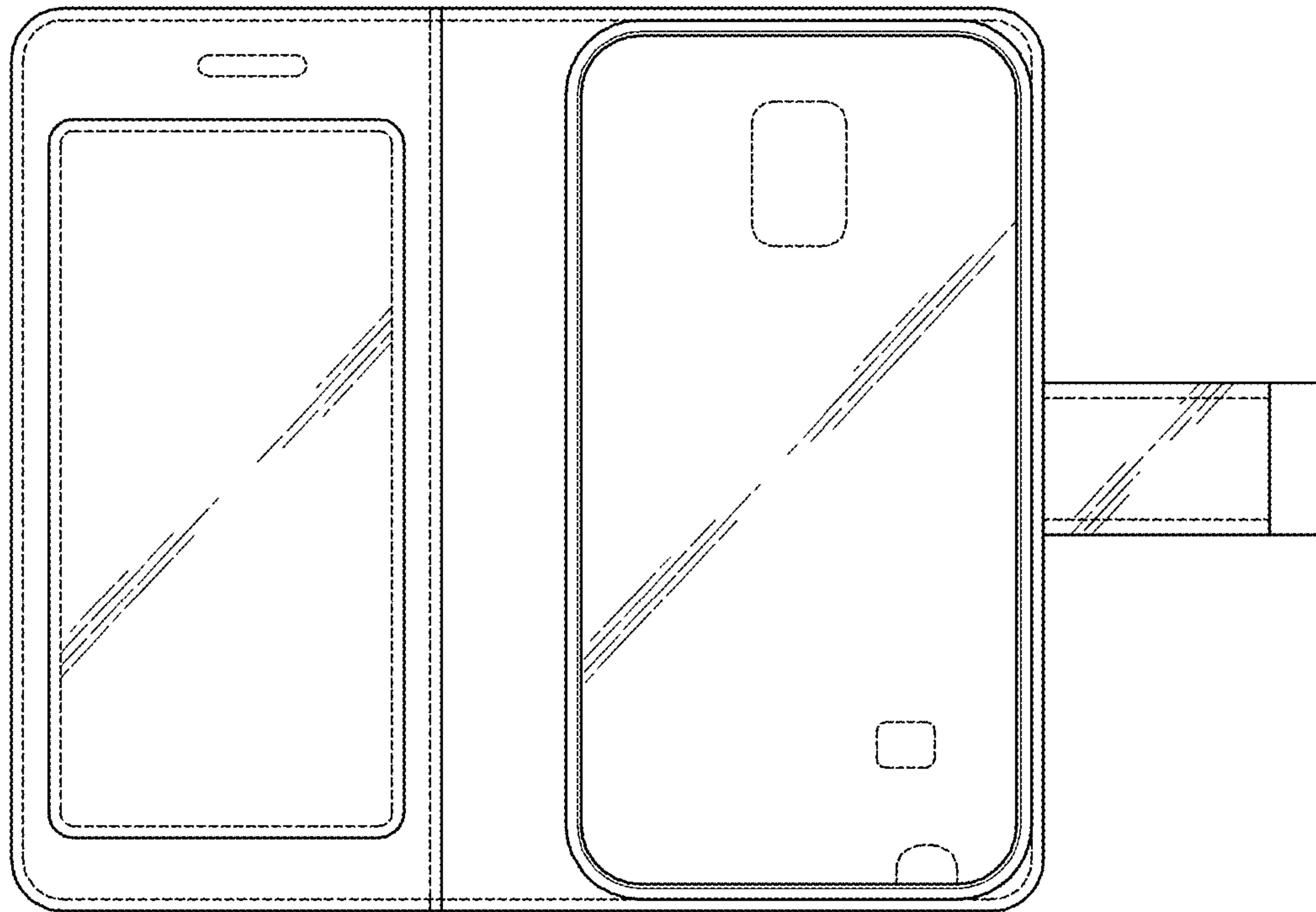


FIG. 9

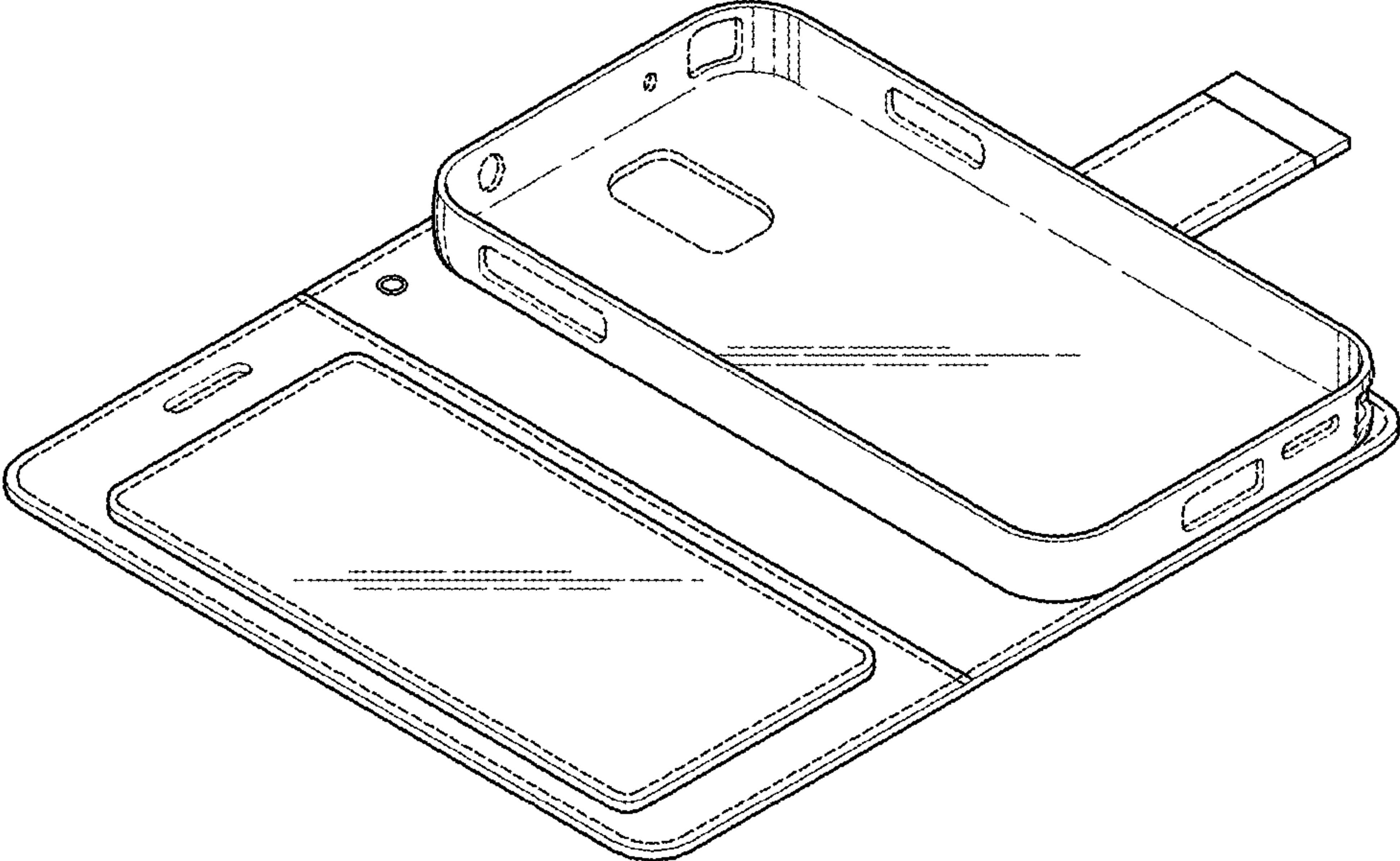


FIG. 10

