



US00D767877S

(12) **United States Design Patent**
Halko

(10) **Patent No.:** **US D767,877 S**

(45) **Date of Patent:** **** Oct. 4, 2016**

- (54) **HOME CARE NURSING BAG**
- (71) Applicant: **Lisa Halko**, Leoville (CA)
- (72) Inventor: **Lisa Halko**, Leoville (CA)
- (**) Term: **15 Years**
- (21) Appl. No.: **29/526,725**
- (22) Filed: **May 13, 2015**
- (51) **LOC (10) Cl.** **03-01**
- (52) **U.S. Cl.**
USPC **D3/203.7; D3/203.1**
- (58) **Field of Classification Search**
USPC D3/276, 201, 203.1, 203.6, 203.7, 215,
D3/218, 219, 221, 232, 233, 243, 245, 283,
D3/284, 285, 287
CPC A45F 3/04; A45C 3/02; A45C 13/02;
A45C 13/262; A45C 3/06
See application file for complete search history.

- D405,266 S * 2/1999 Chisholm D3/303
- D411,664 S * 6/1999 Latshaw D3/201
- 6,244,400 B1 * 6/2001 Bowers A45C 3/02
150/111
- D526,484 S * 8/2006 Flint D3/283
- 8,167,131 B1 * 5/2012 Anderson A45C 5/03
190/102
- D672,951 S * 12/2012 Boone D3/245
- D698,548 S * 2/2014 Jacobs D3/245
- D725,901 S * 4/2015 Cross D3/233
- D735,994 S * 8/2015 Mangano D3/284
- 2006/0196744 A1 * 9/2006 Greiner A45C 13/02
190/110
- 2007/0228097 A1 * 10/2007 Recanati A45C 13/02
224/580

* cited by examiner

Primary Examiner — John Windmuller
Assistant Examiner — Steven Czyz
(74) *Attorney, Agent, or Firm* — Robert C. Montgomery;
Montgomery Patent and Design, LP.

(57) **CLAIM**
The ornamental design for a home care nursing bag, as shown and described.

(56) **References Cited**

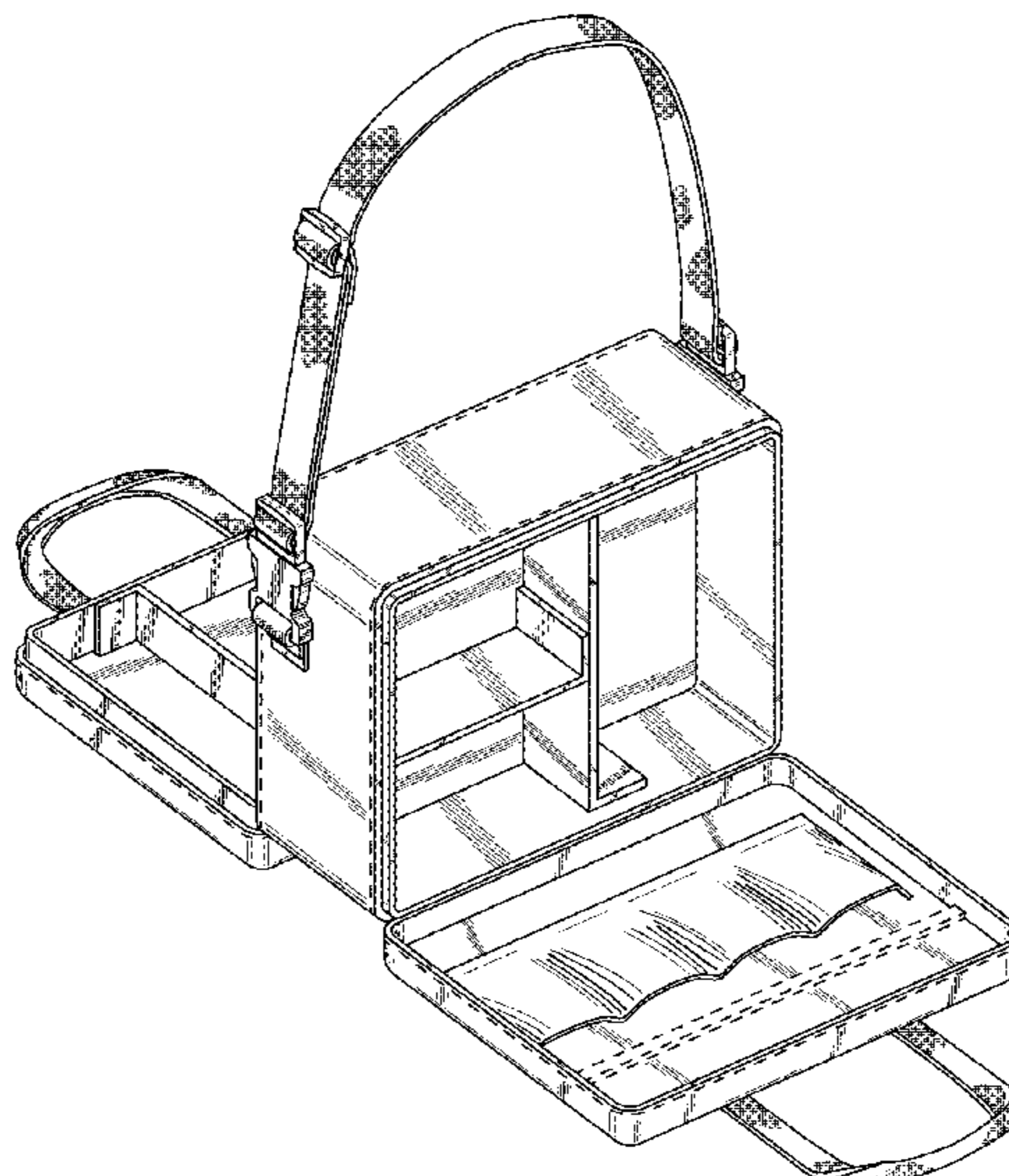
U.S. PATENT DOCUMENTS

- 2,167,926 A * 8/1939 Glasker A45C 11/008
132/315
- 2,324,194 A * 7/1943 Campiglia A61F 17/00
206/570
- 2,648,366 A * 8/1953 Higbee A61B 19/0266
190/108
- 4,386,642 A * 6/1983 Durbin A45C 3/00
190/110
- D272,581 S * 2/1984 Petroff D3/203.1
- D278,190 S * 4/1985 Ganz D3/285
- 4,887,751 A * 12/1989 Lehman A45C 5/14
190/1
- D305,798 S * 1/1990 Say D3/203.6
- D345,651 S * 4/1994 Copp D3/285
- 5,579,916 A * 12/1996 Manko A45C 11/008
132/312
- 5,829,502 A * 11/1998 Distefano A45C 3/00
150/113

DESCRIPTION

FIG. 1 is a perspective front view of the home care nursing bag showing my new design;
FIG. 2 is a perspective back view thereof;
FIG. 3 is a front side view thereof;
FIG. 4 is a back side view thereof;
FIG. 5 is a left side view thereof;
FIG. 6 is a right side view thereof;
FIG. 7 is a top side view thereof; and,
FIG. 8 is a bottom side view thereof; and,
FIG. 9 is a perspective front view of the home care nursing bag shown in an alternate state.
The broken lines depict zippers/zipper track of the article that form no part of the claimed design.

1 Claim, 9 Drawing Sheets



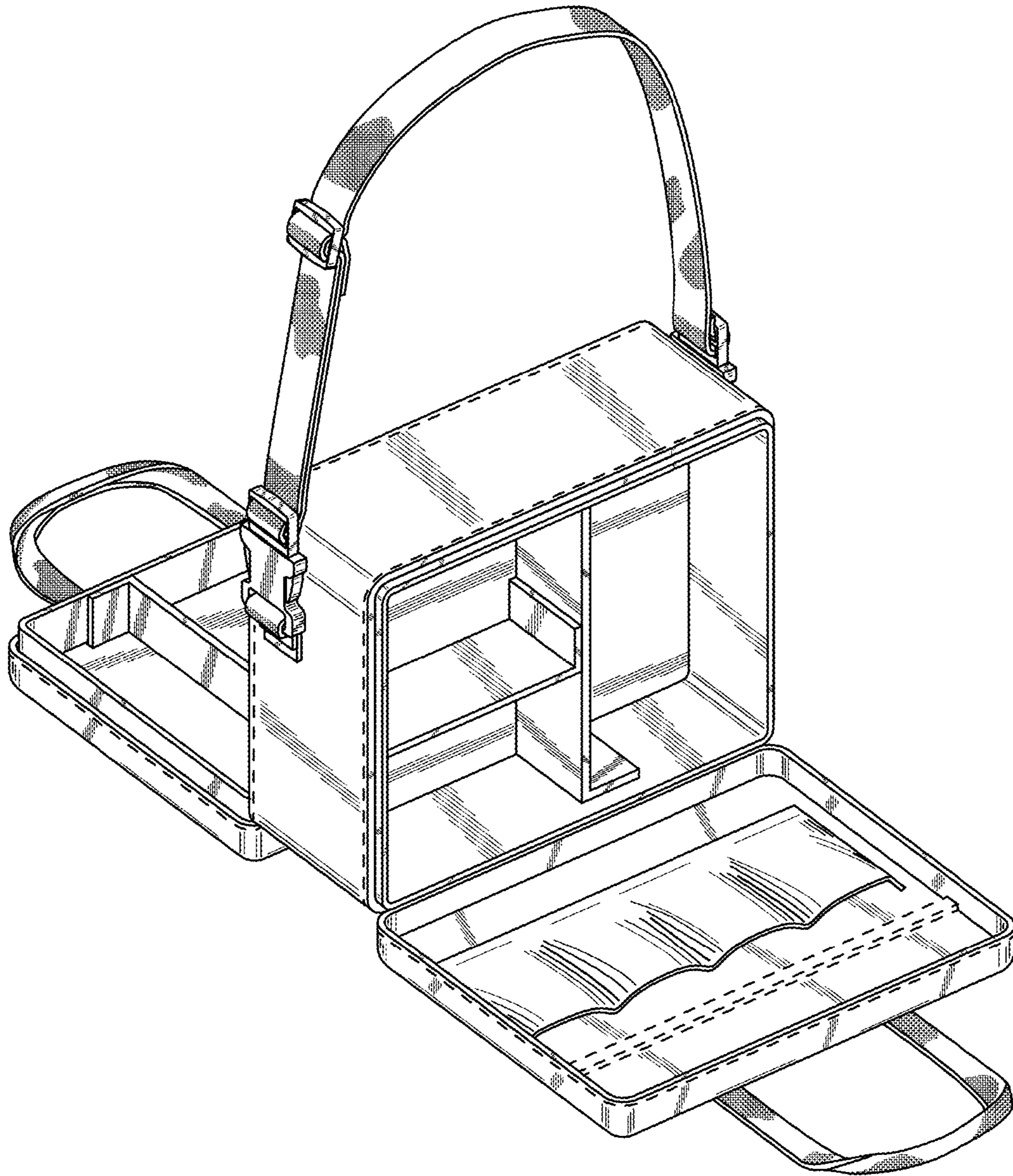


Fig. 1

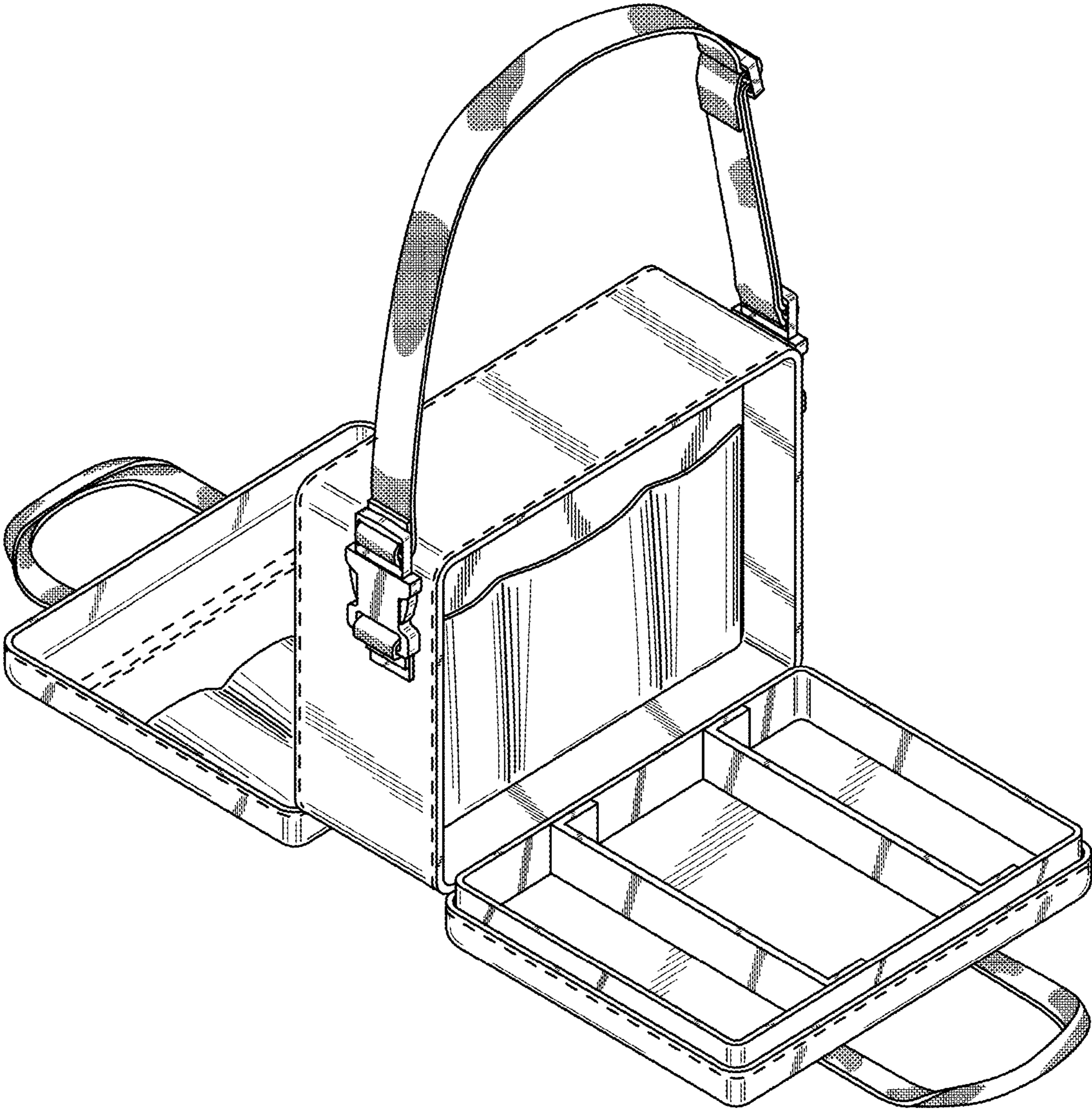


Fig. 2

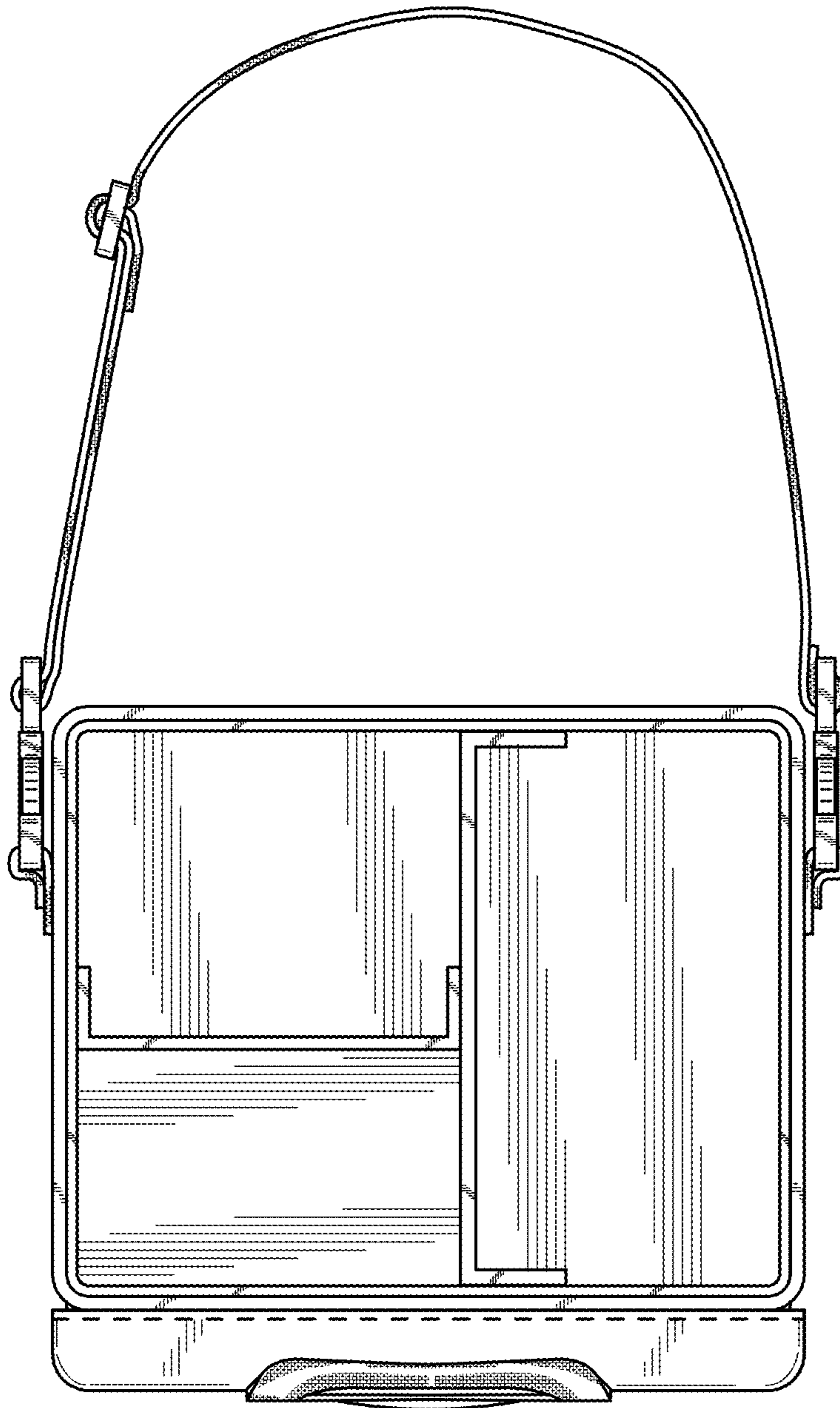


Fig. 3

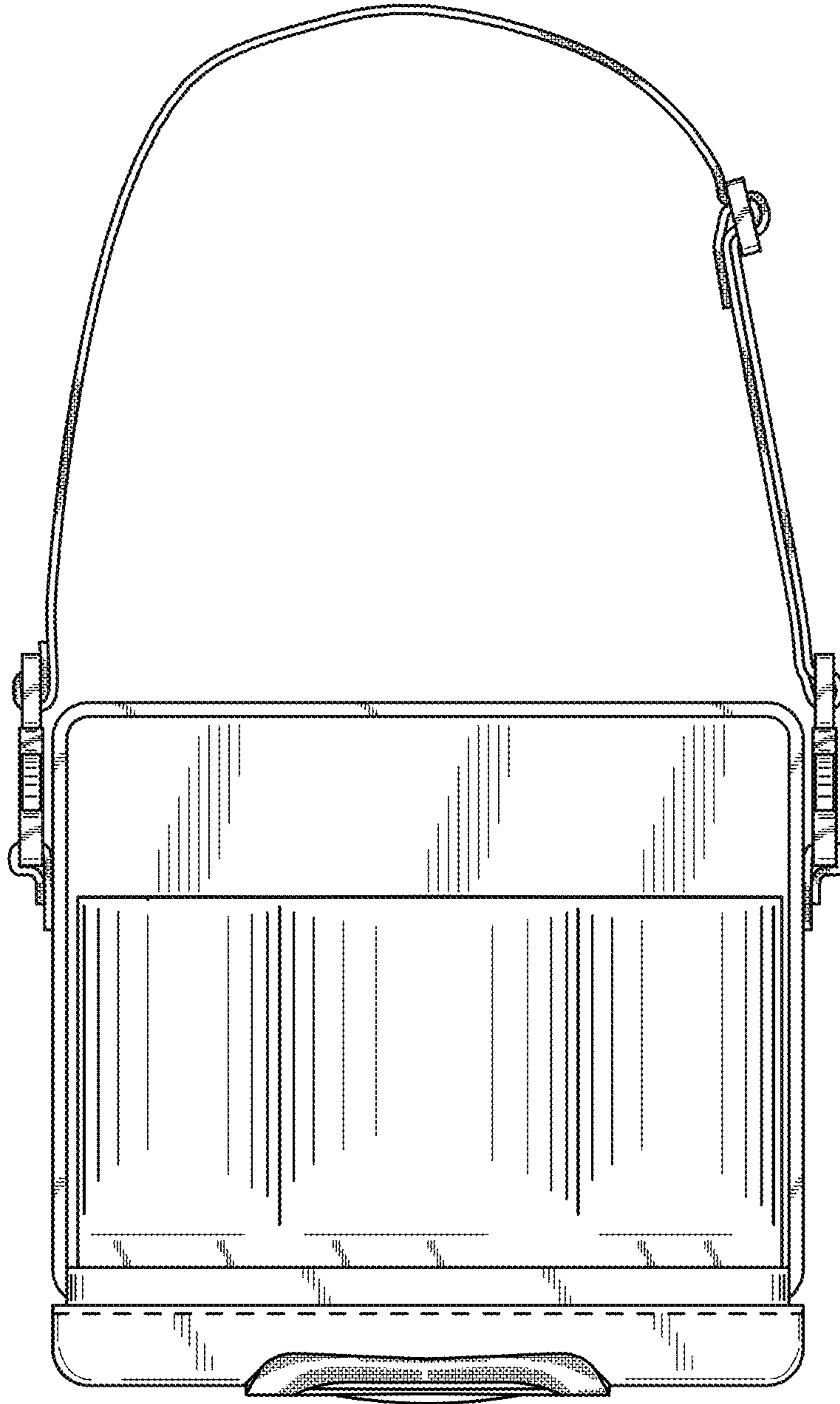


Fig. 4

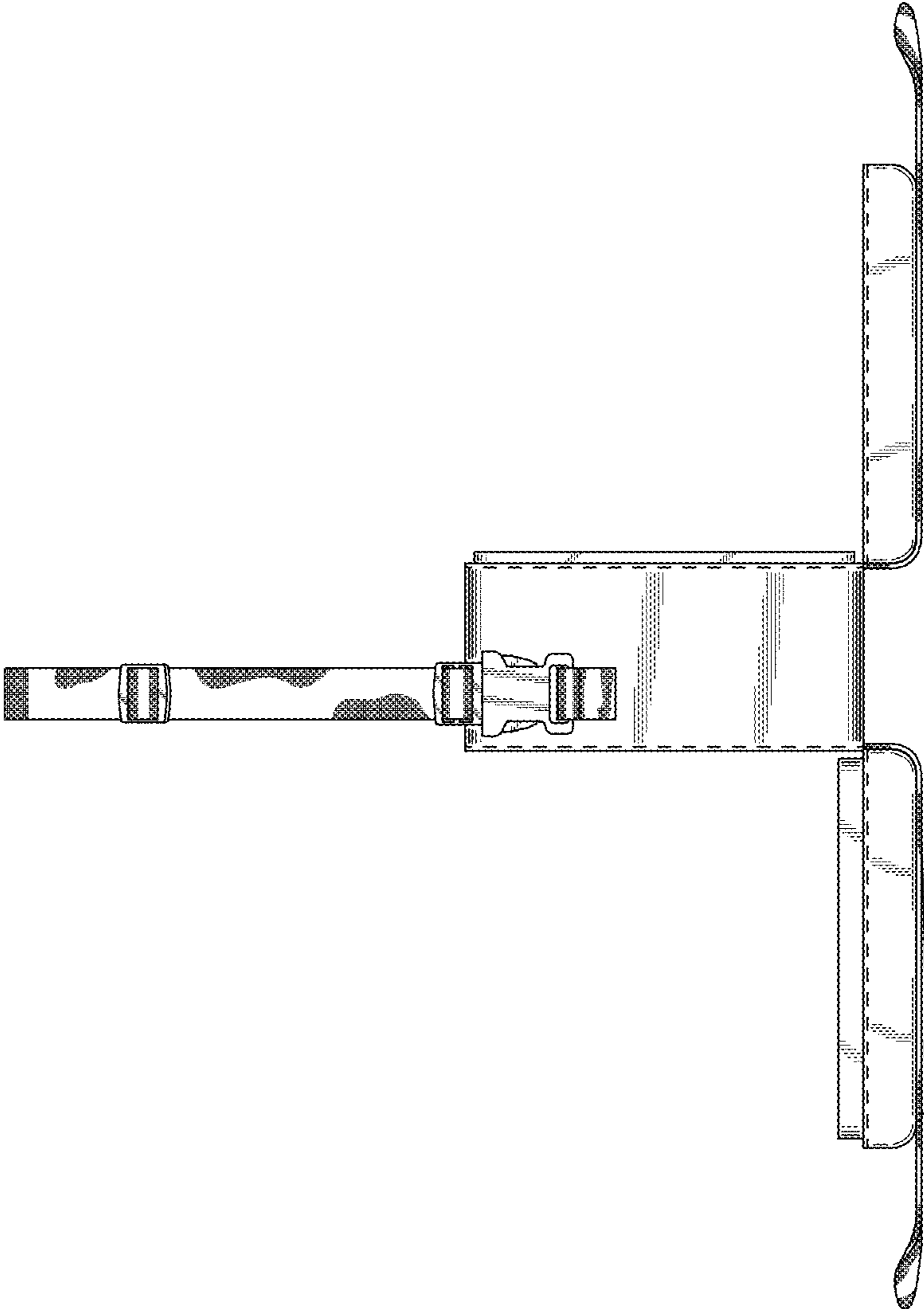


Fig. 5

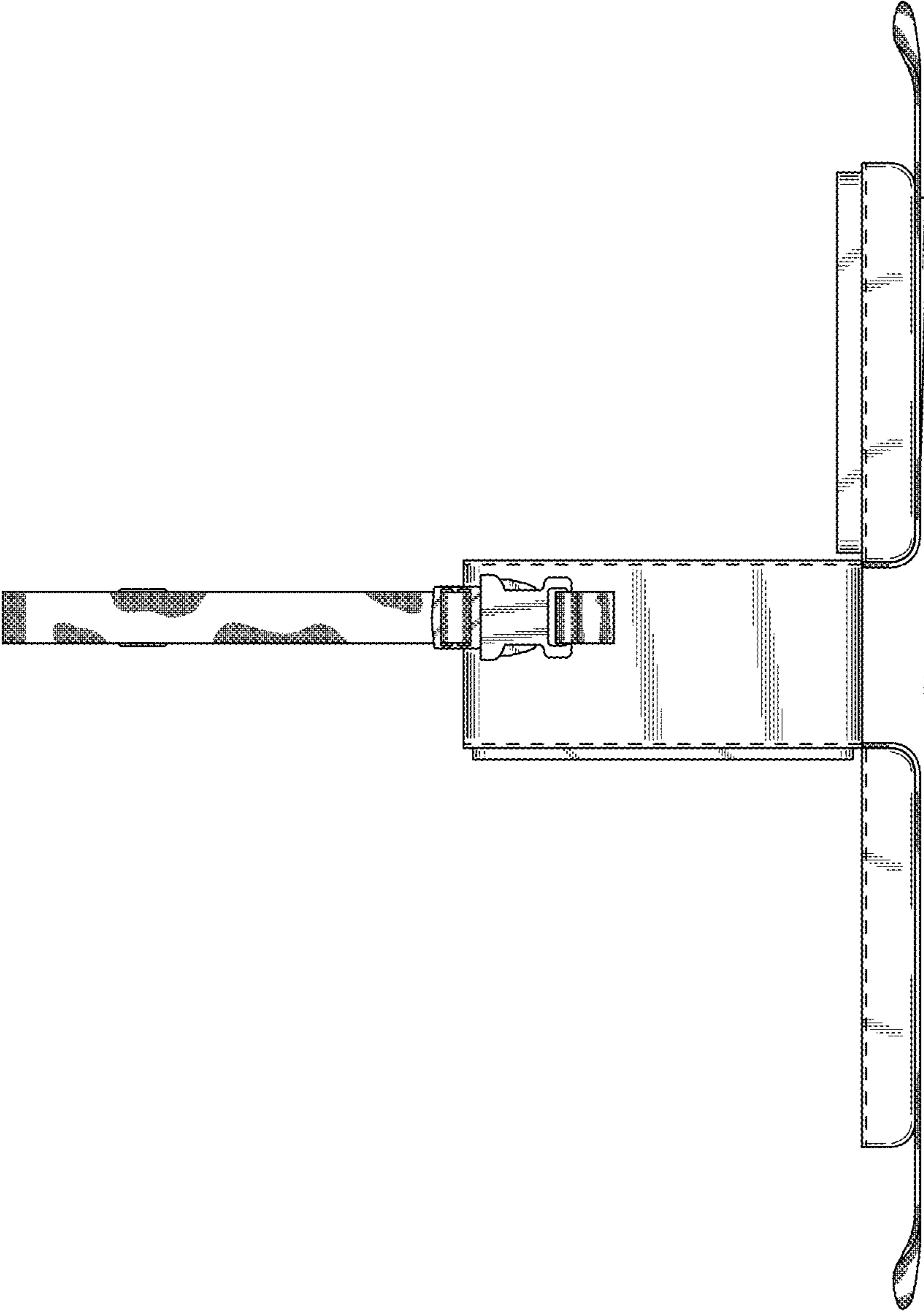


Fig. 6

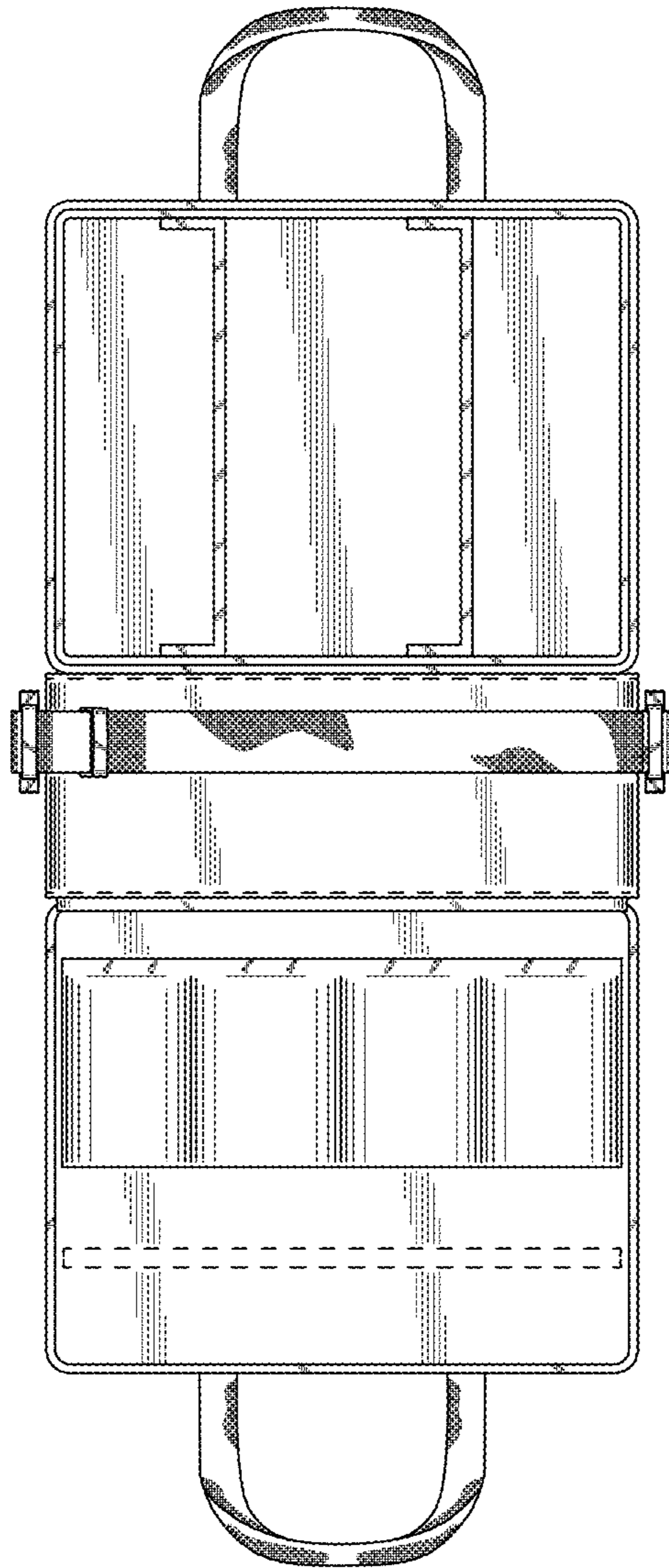


Fig. 7

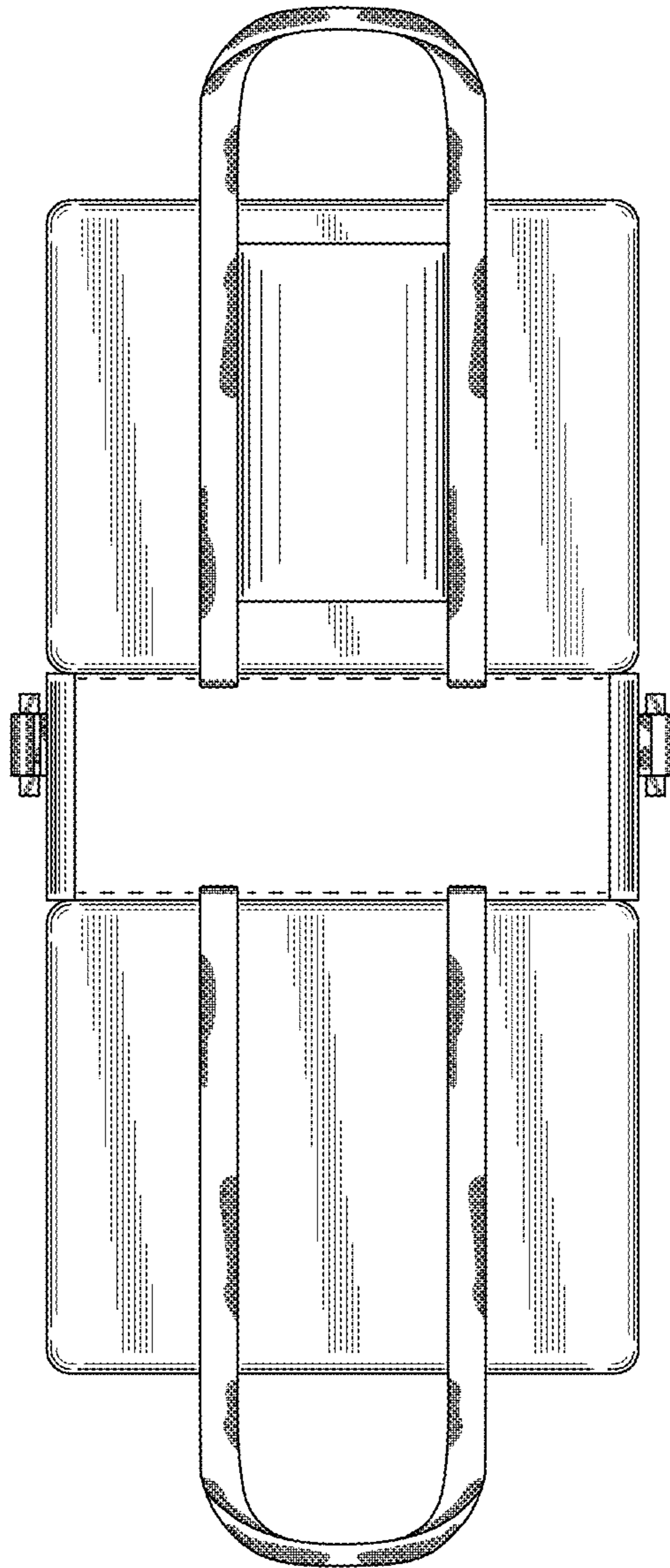


Fig. 8

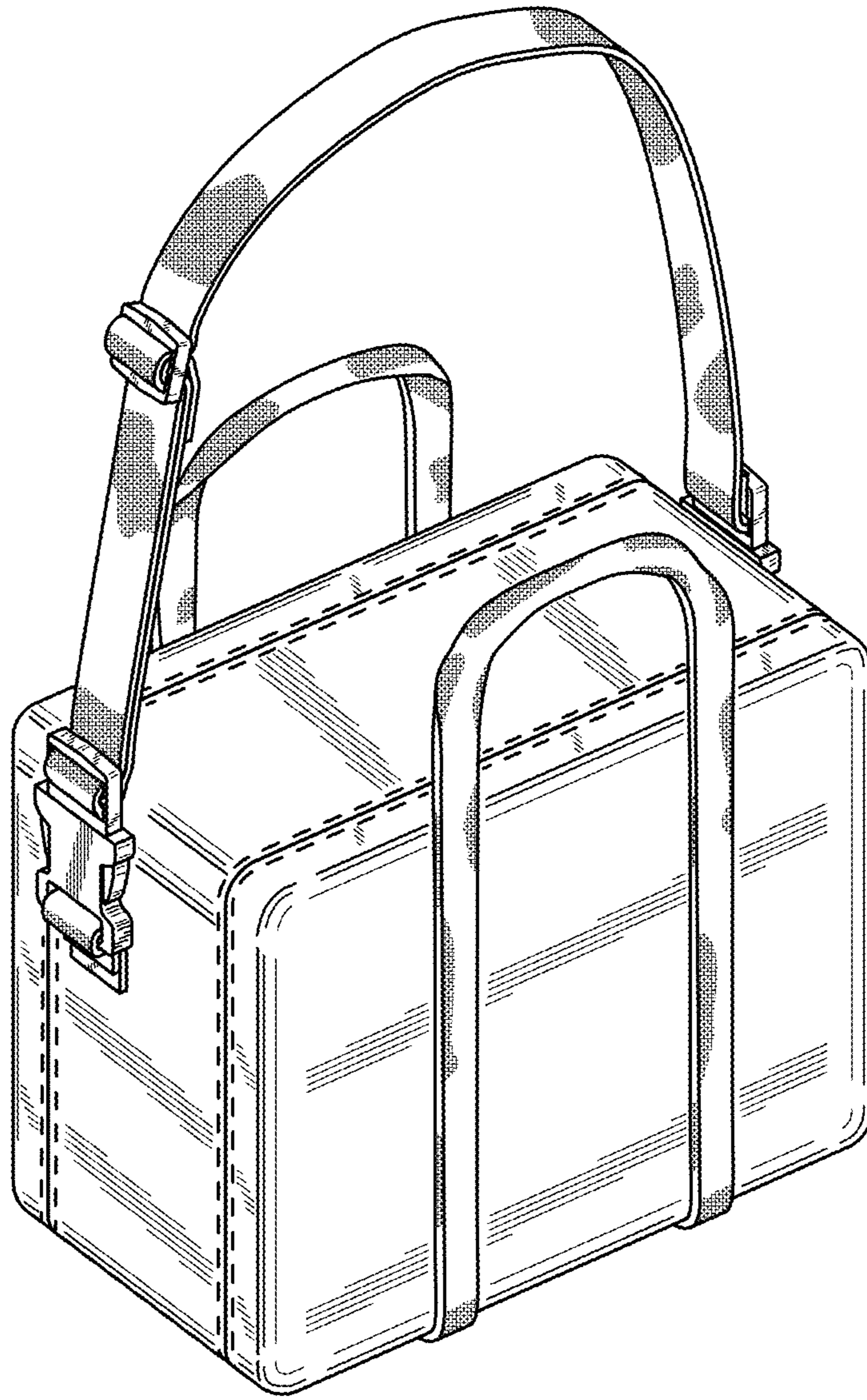


Fig. 9