



US00D767859S

(12) **United States Design Patent**
Gut et al.

(10) **Patent No.:** **US D767,859 S**

(45) **Date of Patent:** **** Oct. 4, 2016**

(54) **COLLAR FOR CLOTHING**
(71) Applicants: **Vasily Gut**, Westfield, MA (US);
Vadim Lezhnyak, Westfield, MA (US)
(72) Inventors: **Vasily Gut**, Westfield, MA (US);
Vadim Lezhnyak, Westfield, MA (US)
(**) Term: **14 Years**

5,416,925 A * 5/1995 Davis A41D 25/02
2/144
5,884,333 A * 3/1999 Soliman A41D 25/022
2/145
6,611,960 B2 9/2003 Kim
7,418,740 B2 * 9/2008 Anderson A41D 3/02
2/69
8,479,317 B2 7/2013 Nguyen
2010/0199401 A1 * 8/2010 Whitfield A41D 27/16
2/60
2013/0081212 A1 * 4/2013 Sanders D06F 59/02
8/137

(21) Appl. No.: **29/511,167**

(22) Filed: **Dec. 8, 2014**

(51) **LOC (10) Cl.** **02-03**

(52) **U.S. Cl.**
USPC **D2/853**

(58) **Field of Classification Search**
USPC D2/828, 839, 840, 830, 831, 853
CPC A41D 1/02; A41D 1/04; A41D 3/00;
A41D 3/02; A41D 13/0002; A41D 13/0512;
A41D 27/18; A41D 27/16; A41B 3/06;
Y10T 24/199

See application file for complete search history.

(56) **References Cited**

U.S. PATENT DOCUMENTS

918,284 A 4/1909 Christman
1,009,606 A 11/1911 Way
1,486,702 A 3/1924 van Heusen
2,656,542 A * 10/1953 Heuman A41B 3/06
2/132
2,846,688 A * 8/1958 Meeker A41D 25/022
2/150
3,430,264 A 3/1969 Beukenkamp, Jr.
3,832,737 A 9/1974 Podolsky
3,892,342 A * 7/1975 Ogawa D06C 5/005
223/57

OTHER PUBLICATIONS

“Hulas Sports Collar Stays”, sportsvibe.com <http://sportsvibe.com/hulas-sports-collar-stays/>.

“Mens Grey Police 883 Jeans Scottsdale High Collar roll Neck T-Shirt”, reloadmenswear.co.uk.

* cited by examiner

Primary Examiner — Charles Hanson

(74) *Attorney, Agent, or Firm* — Doherty Wallace
Pillsbury & Murphy P.C.

(57) **CLAIM**

The ornamental design for a collar for clothing, as shown and described.

DESCRIPTION

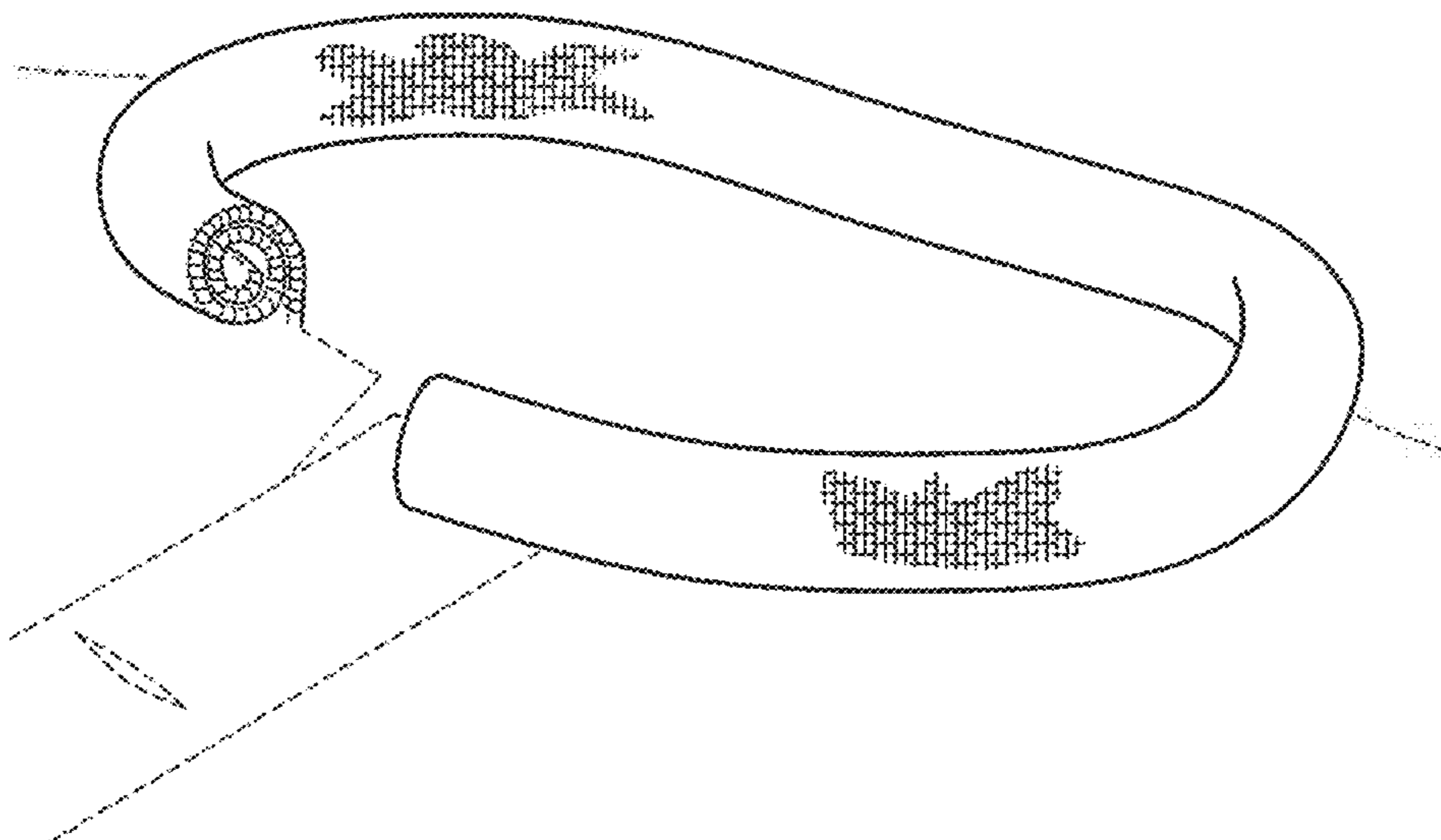
FIG. 1 is a front view of a collar for clothing, showing our new design;

FIG. 2 is a back view thereof; and,

FIG. 3 is an enlarged perspective view thereof.

The broken line showing of the shirt is included for the purpose of illustrating unclaimed subject matter and forms no part of the claimed design.

1 Claim, 3 Drawing Sheets



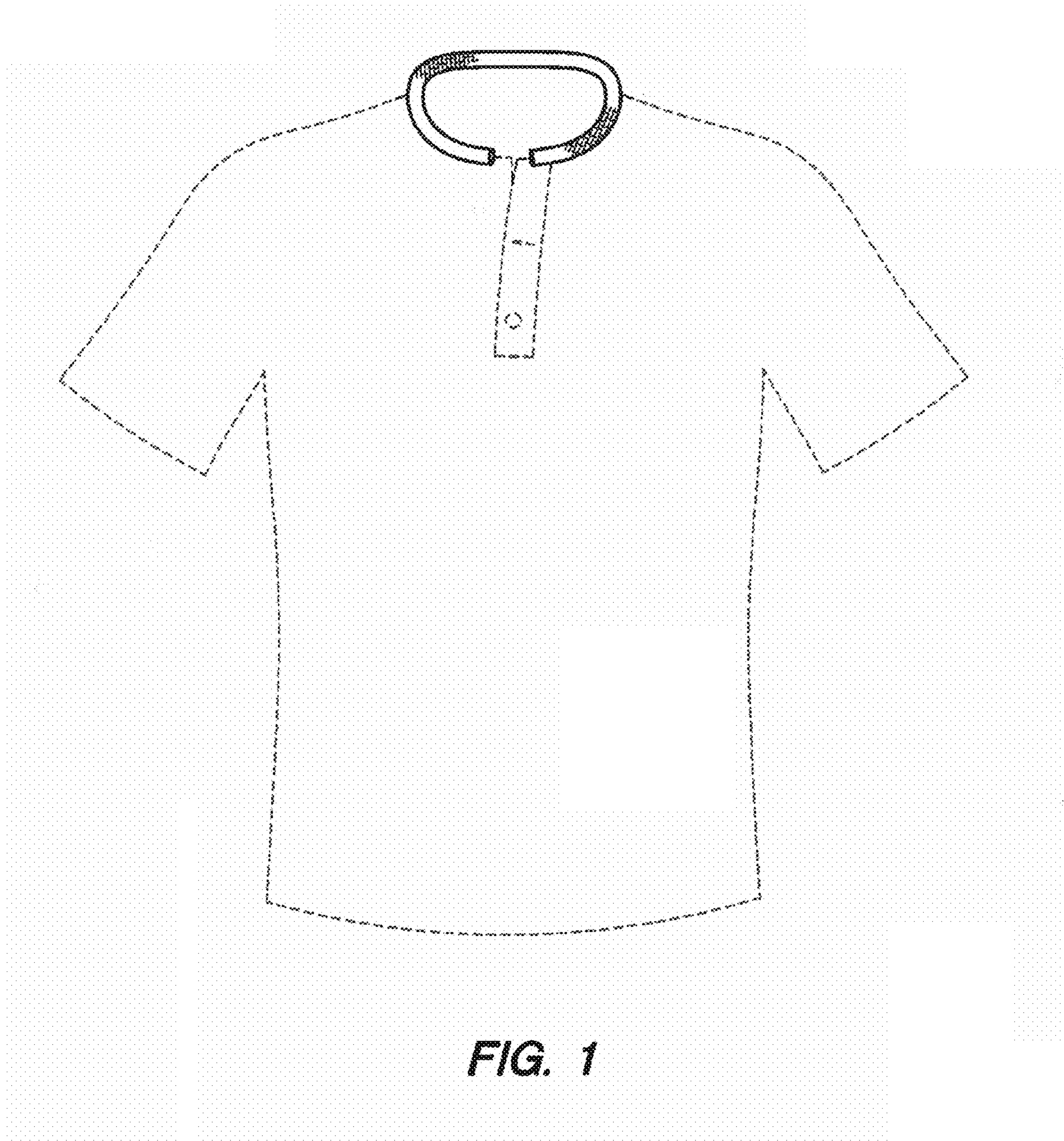


FIG. 1

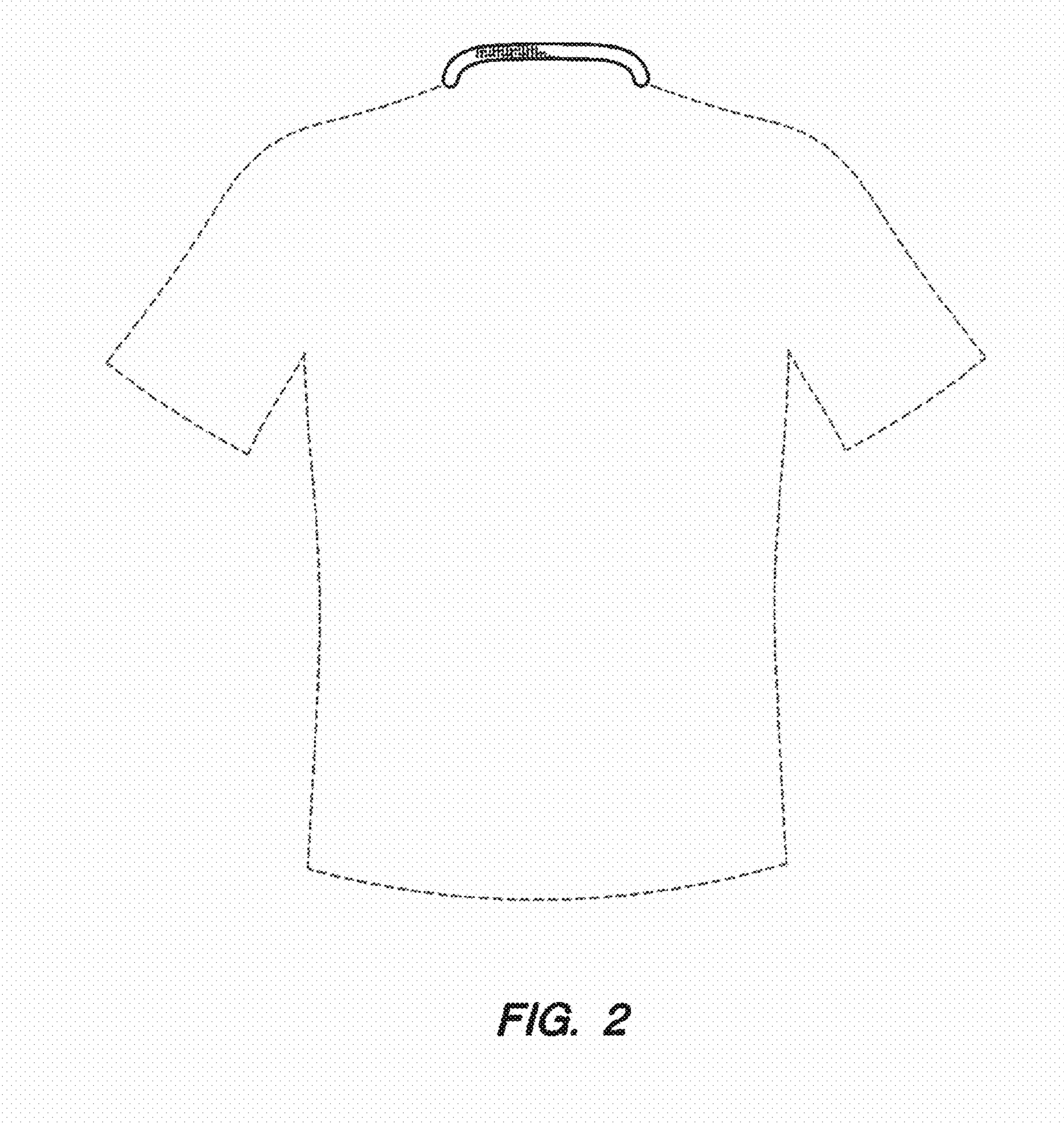


FIG. 2

