

US00D767846S

(12) **United States Design Patent**
Kane et al.

(10) **Patent No.:** **US D767,846 S**

(45) **Date of Patent:** **** Sep. 27, 2016**

(54) **CARRY CAGE FOR TUBE CLEANING MACHINE**

(71) Applicants: **Timothy Kane**, Greenwich, CT (US);
George Cruz, Stamford, CT (US)

(72) Inventors: **Timothy Kane**, Greenwich, CT (US);
George Cruz, Stamford, CT (US)

(73) Assignee: **CROSSFORD INTERNATIONAL, LLC**, Stamford, CT (US)

(**) Term: **14 Years**

(21) Appl. No.: **29/474,665**

(22) Filed: **Dec. 19, 2014**

(51) **LOC (10) Cl.** **15-05**

(52) **U.S. Cl.**
USPC **D34/17**

(58) **Field of Classification Search**
USPC D32/1, 6, 8, 12, 16-17; D34/12-37;
D15/150
CPC F28G 15/02; B62B 5/067
See application file for complete search history.

(56) **References Cited**

U.S. PATENT DOCUMENTS

D187,550 S *	3/1960	Hoover	D15/150
5,441,297 A *	8/1995	Krohn	B62B 1/26 239/172
D424,771 S *	5/2000	Sivells	D34/14
D462,819 S *	9/2002	Burford	D34/14
D470,871 S *	2/2003	Burger	D15/150
D553,325 S *	10/2007	Miller	D34/24
D570,069 S *	5/2008	Leonard	D34/24
7,597,340 B2 *	10/2009	Hirose	B62B 5/0006 16/110.1

7,604,246 B2 *	10/2009	Sodemann	B08B 3/026 280/47.131
7,963,532 B2 *	6/2011	Feitel	B05B 9/007 280/47.18
D665,545 S *	8/2012	Alexander	D32/15
D674,572 S *	1/2013	Sanwald	D34/14
D693,980 S *	11/2013	Sanwald	D34/14
8,651,397 B2 *	2/2014	Gaddis	B05B 7/0093 239/146
8,770,599 B1 *	7/2014	Kane	F28G 15/02 280/47.18
2009/0079151 A1 *	3/2009	Craig	F02B 63/04 280/47.18

* cited by examiner

Primary Examiner — T. Chase Nelson

Assistant Examiner — Michelle E Wilson

(74) *Attorney, Agent, or Firm* — Patrick J. Walsh

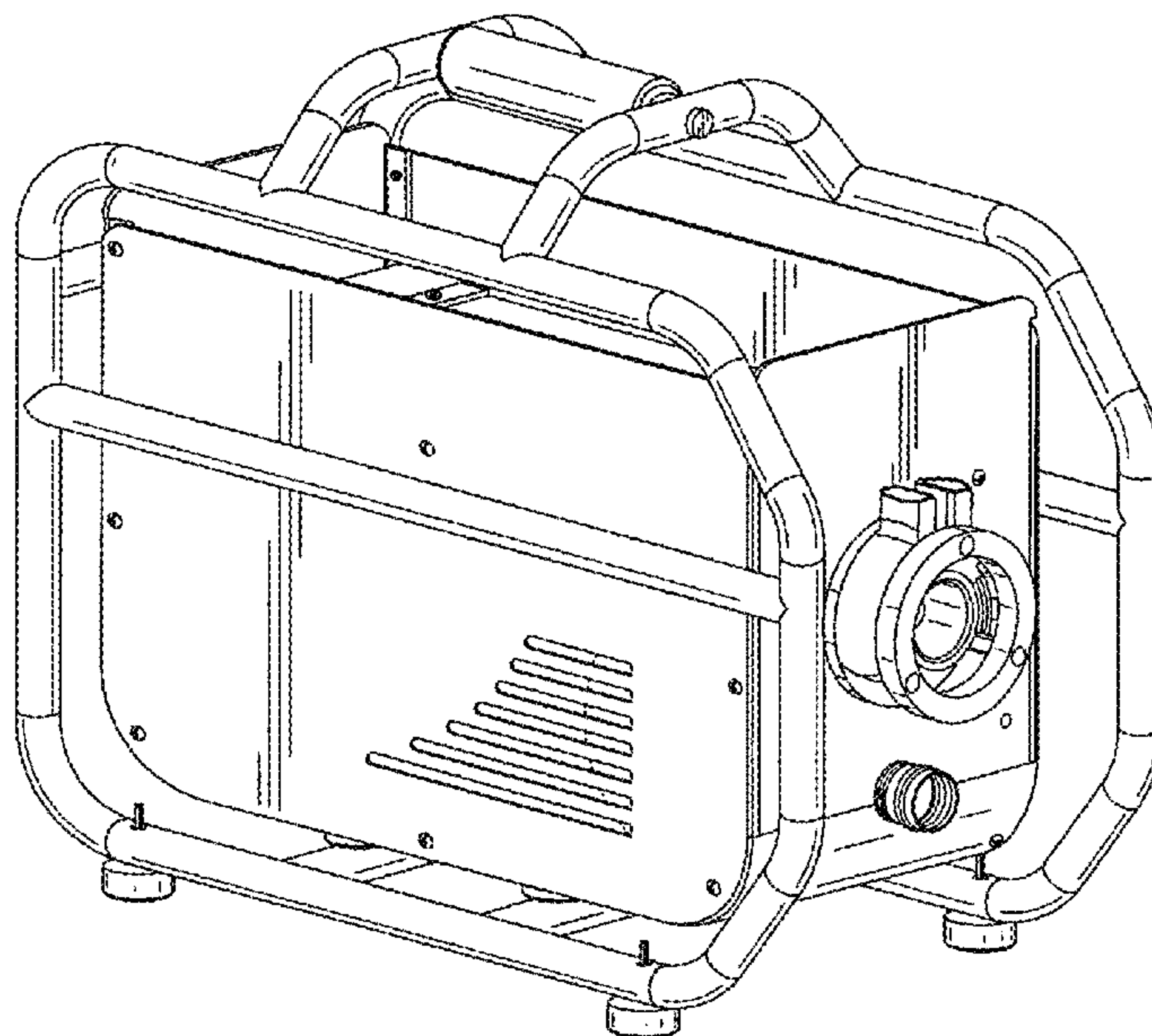
(57) **CLAIM**

The ornamental design for a carry cage for tube cleaning machine, as shown and described.

DESCRIPTION

This application is a division of application Ser. No. 29/421, 241 filed Jun. 18, 2012, now design U.S. Pat. No. D722,737. FIG. 1 is a perspective view of carry cage for tube cleaning machine, showing our new design; FIG. 2 is a front elevation view thereof; FIG. 3 is a rear elevation view thereof; FIG. 4 is a side elevation view thereof, the opposite side being a mirror image; FIG. 5 is a top plan view thereof; and, FIG. 6 is a bottom plan view thereof. The portions of the carry cage for tube cleaning machine shown in broken lines form no part of the claimed design.

1 Claim, 6 Drawing Sheets



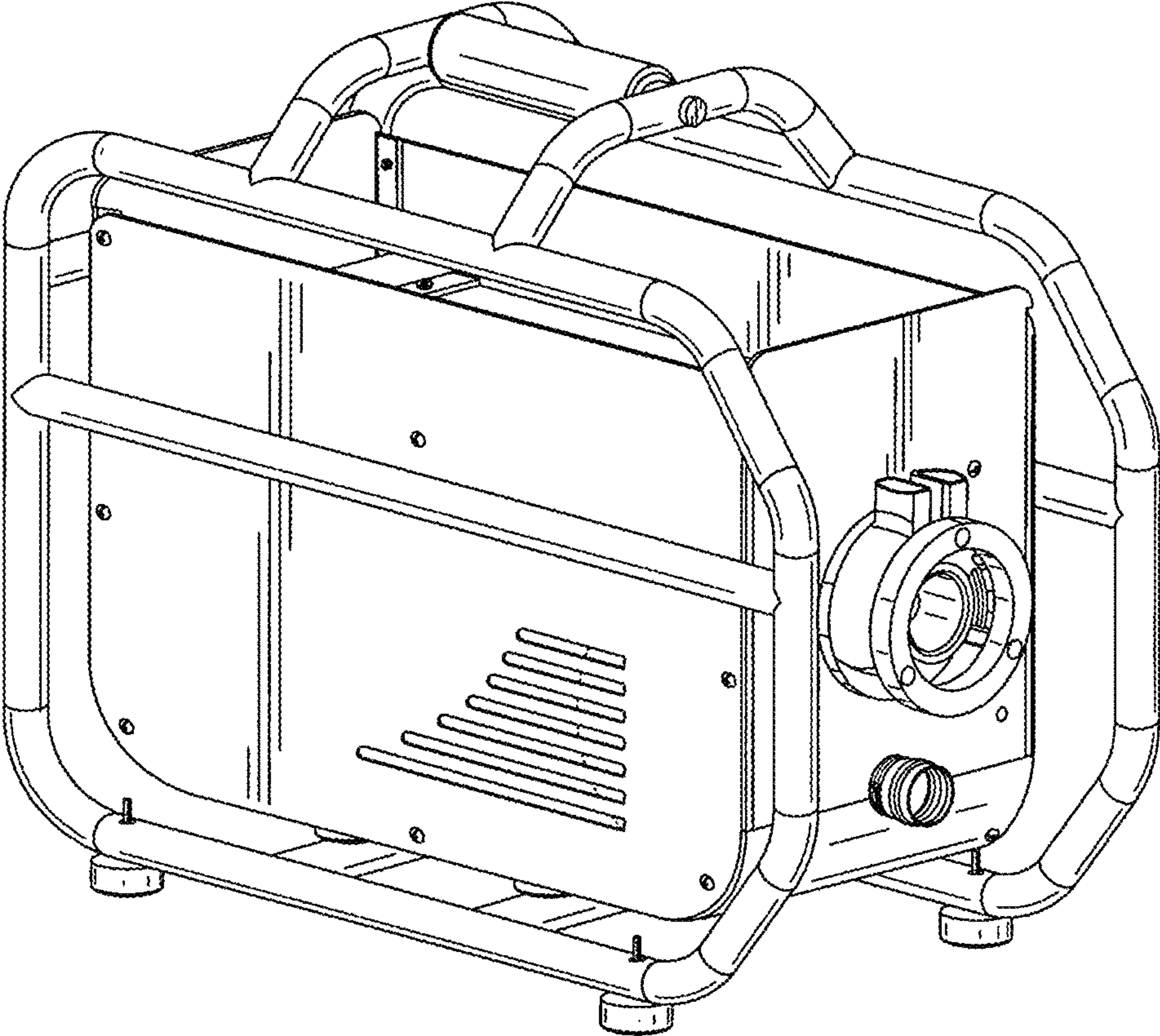


FIG. 1

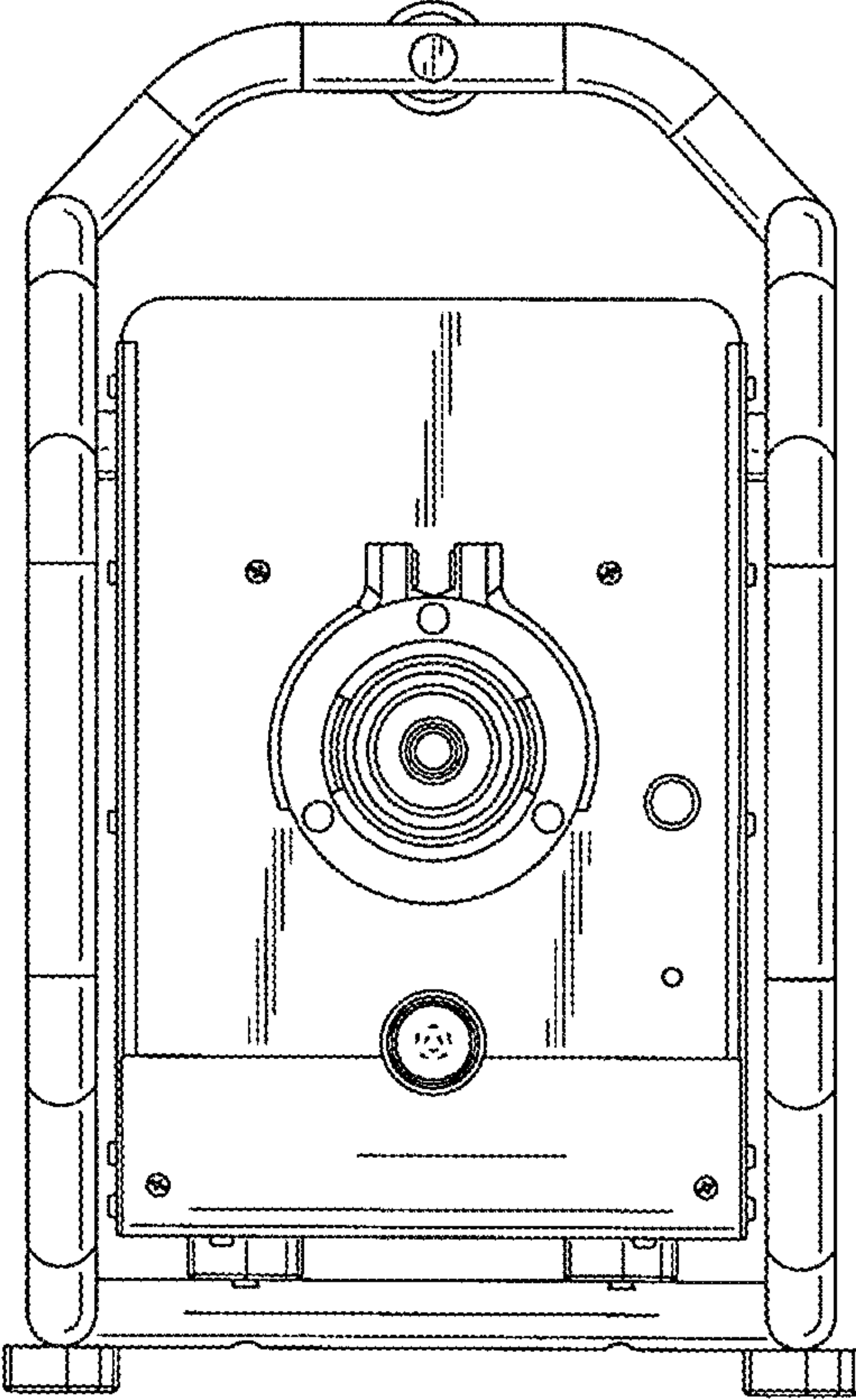


FIG. 2

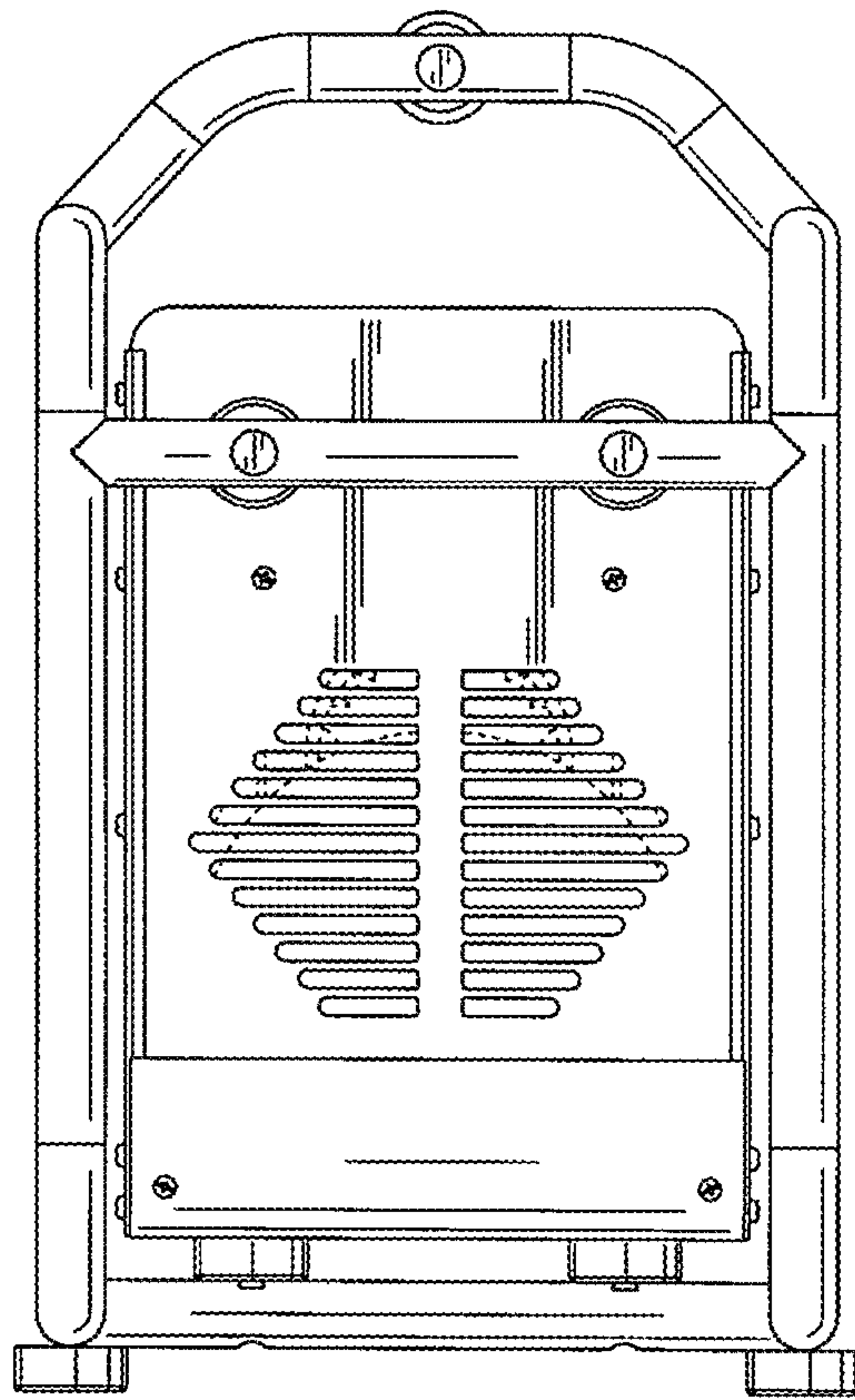


FIG. 3

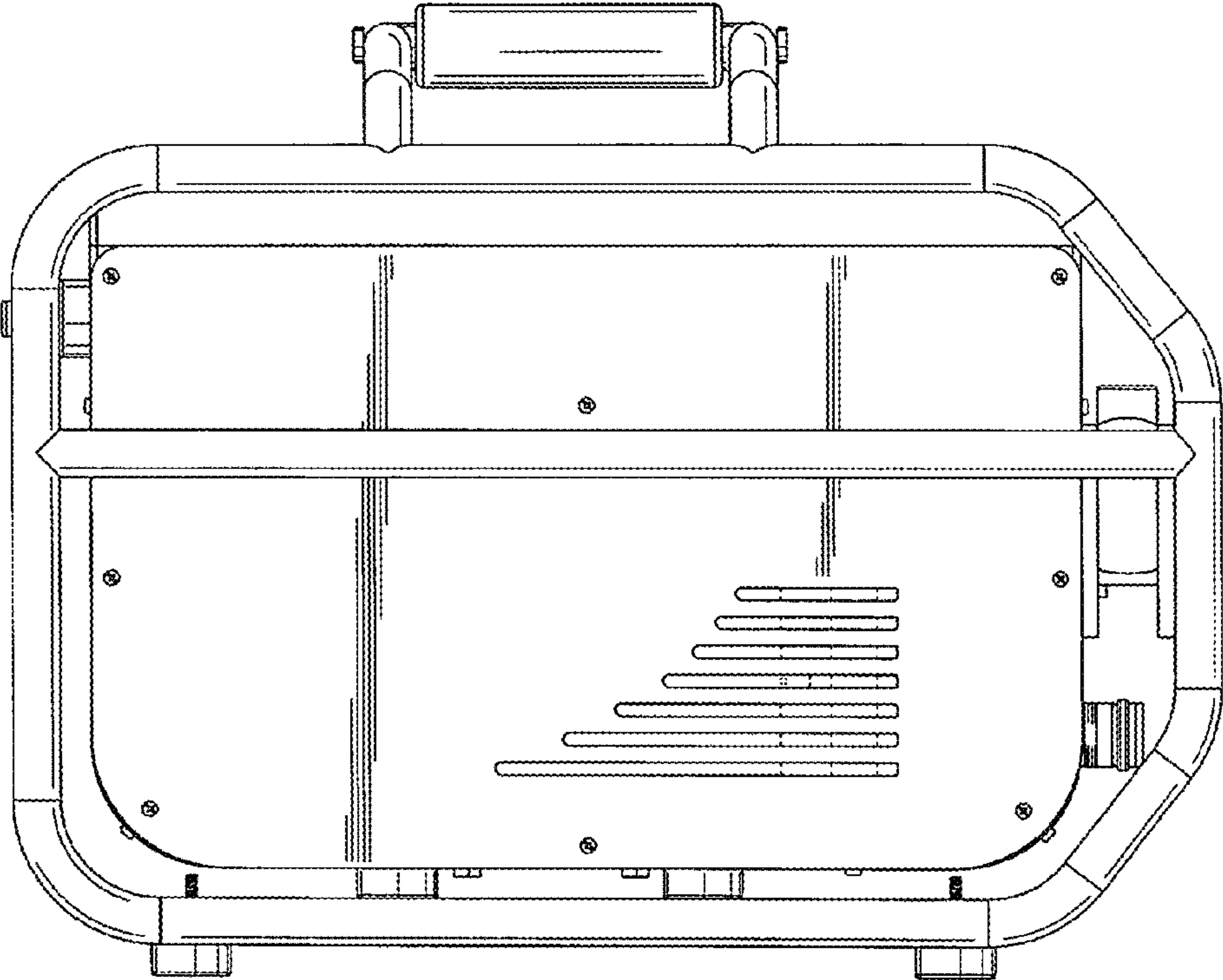


FIG. 4

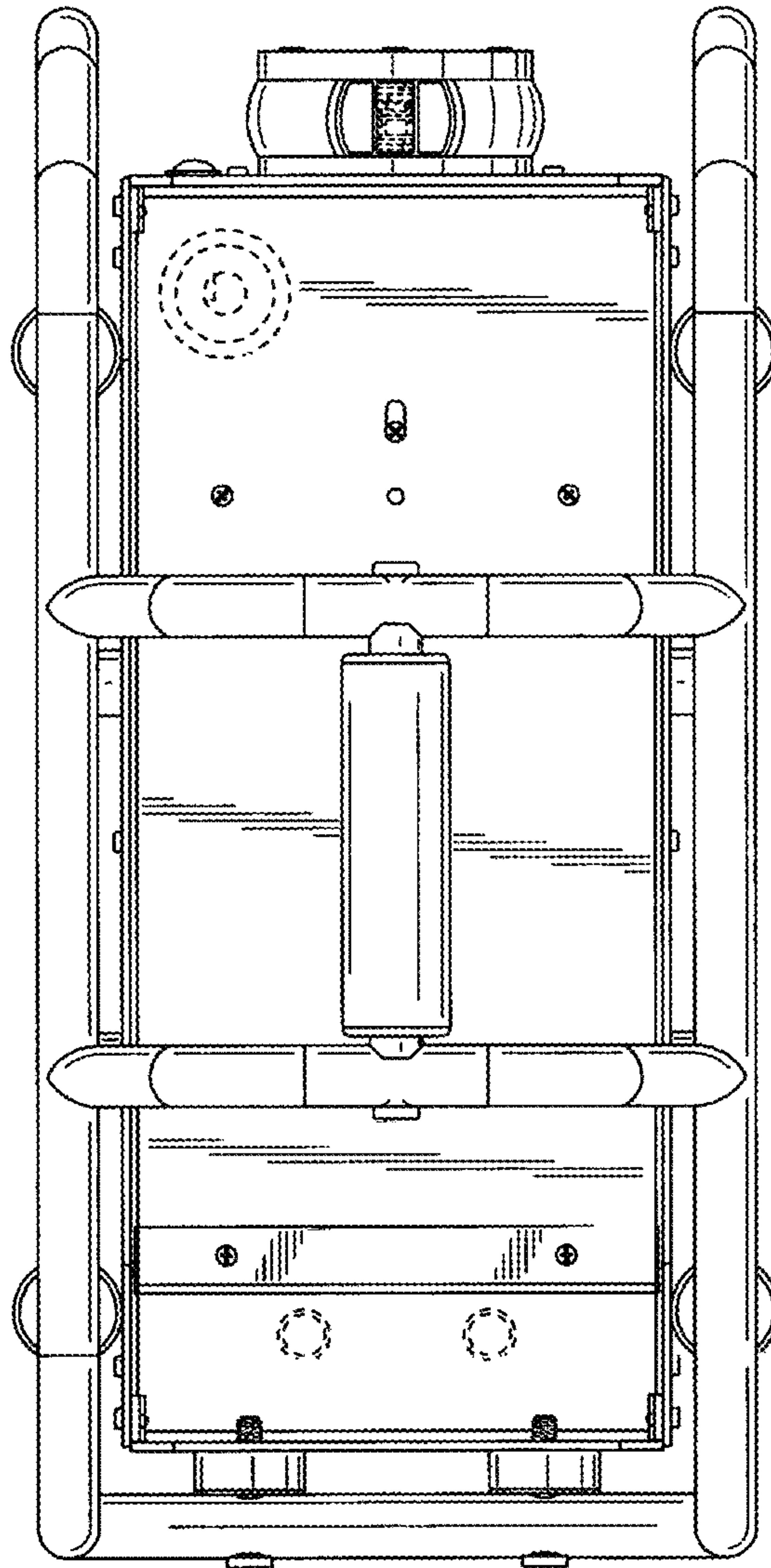


FIG. 5

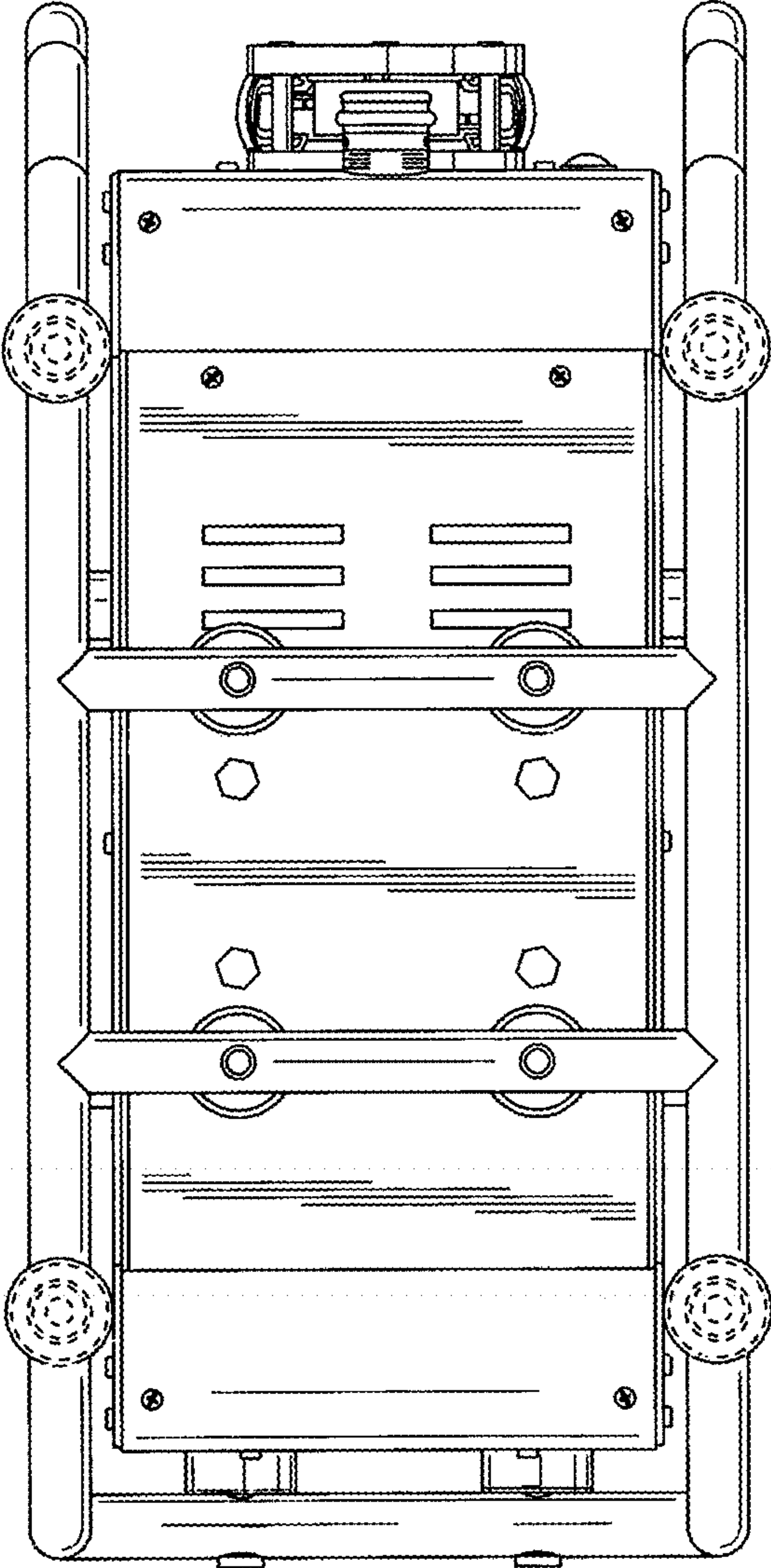


FIG. 6