



US00D767843S

(12) **United States Design Patent** (10) **Patent No.:** **US D767,843 S**
Chitayat et al. (45) **Date of Patent:** **** Sep. 27, 2016**

- (54) **BRUSH AND DUSTPAN**
- (71) Applicant: **FC Brands Limited**, Central Hong Kong (HK)
- (72) Inventors: **David Dennys Chitayat**, Shanghai (CN); **Heather Tomasetti Kauffman**, Brooklyn, NY (US); **Pieter Schouten**, Berkeley, CA (US)
- (73) Assignee: **FC BRANDS LIMITED**, Central Hong Kong (HK)
- (**) Term: **14 Years**
- (21) Appl. No.: **29/518,909**
- (22) Filed: **Feb. 27, 2015**
- (51) **LOC (10) Cl.** **07-05**
- (52) **U.S. Cl.**
USPC **D32/74**
- (58) **Field of Classification Search**
USPC D32/74, 41; D30/162; D7/691, 688; D4/116; 15/257.5, 257.3, 257.2, 257.1; 134/6
CPC A47L 13/52; A47L 13/51; A46B 15/00; A46B 15/0097; A46B 15/0095; A46B 17/04; A46B 5/00; A46B 2200/302
See application file for complete search history.

- D634,910 S * 3/2011 Solbjerg D32/74
- D683,097 S * 5/2013 Vicari D32/74
- D720,909 S * 1/2015 Vasilakes D32/74
- D720,910 S * 1/2015 Seifts D32/74
- D720,911 S * 1/2015 Libman D32/74
- D721,463 S * 1/2015 Kandasamy D32/74
- D730,006 S * 5/2015 Dobson, III D32/74
- D734,911 S * 7/2015 Williams D32/74

OTHER PUBLICATIONS

“Tiny Team—Mini Brush & Dustpan Set”, [online], [retrieved on Jan. 7, 2016], Retrieved from <URL: <http://fullcirclehome.com/tiny-team.html>>, 3 pages.

* cited by examiner

Primary Examiner — Austin Murphy
(74) *Attorney, Agent, or Firm* — Finch & Maloney PLLC

(57) **CLAIM**
The ornamental design for a brush and dustpan, as shown and described.

DESCRIPTION

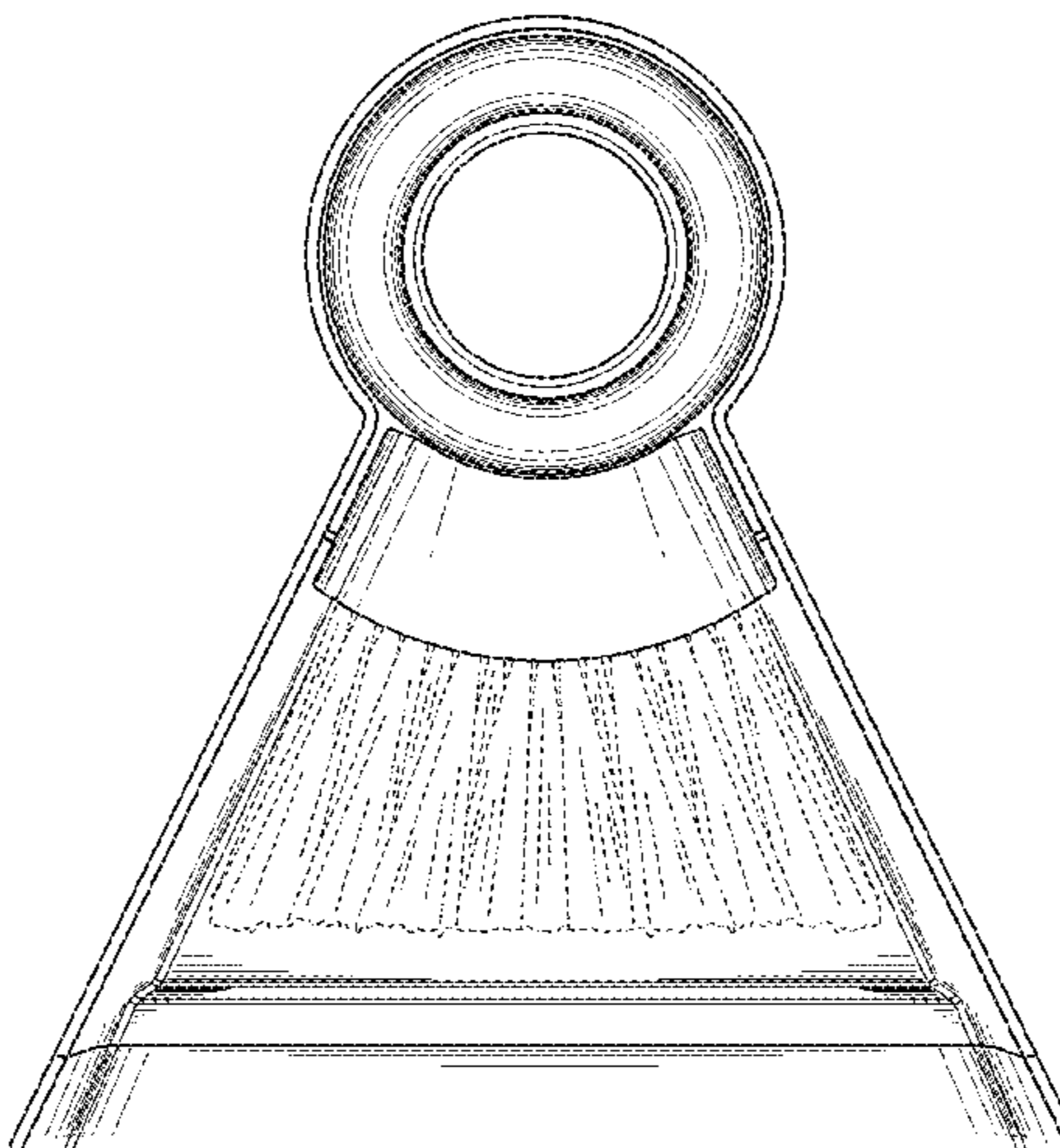
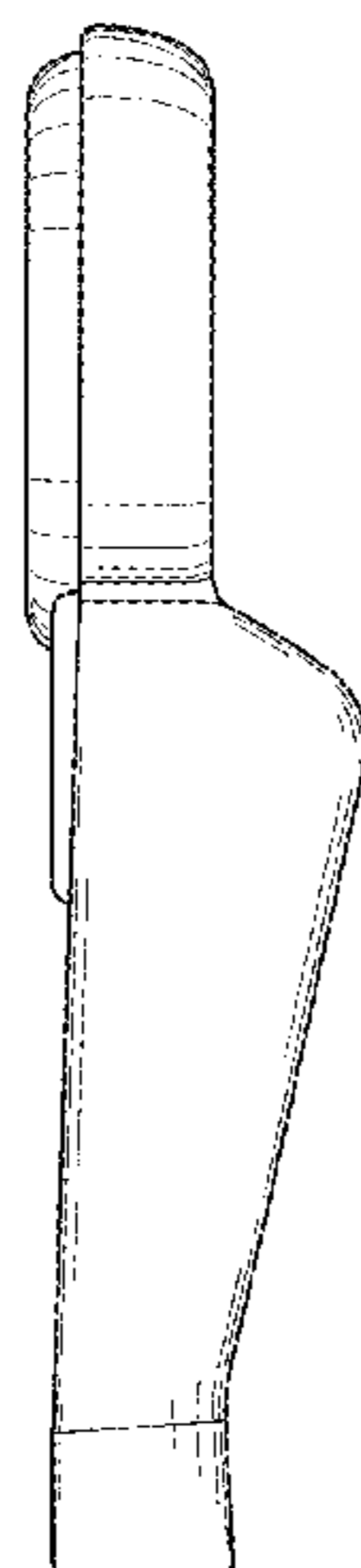
FIG. 1 is a right elevation view of a brush and dustpan showing our new design, the left elevation view being a mirror image thereof;
FIG. 2 is a front elevation view of our design;
FIG. 3 is a rear elevation view of our design;
FIG. 4 is a bottom elevation view of our design;
FIG. 5 is a top elevation view of our design;
FIG. 6 is a perspective view of our design; and,
FIG. 7 is an exploded perspective view of our design.
The broken lines in the figures are for the purpose of illustrating environmental structure only and form no part of the claimed design.

1 Claim, 7 Drawing Sheets

(56) **References Cited**

U.S. PATENT DOCUMENTS

- D304,107 S * 10/1989 Noggle D32/74
- D383,002 S * 9/1997 Rigney D32/74
- D394,928 S * 6/1998 Laib D32/42
- D462,529 S * 9/2002 Best D32/74
- D612,615 S * 3/2010 Chitayat D4/129



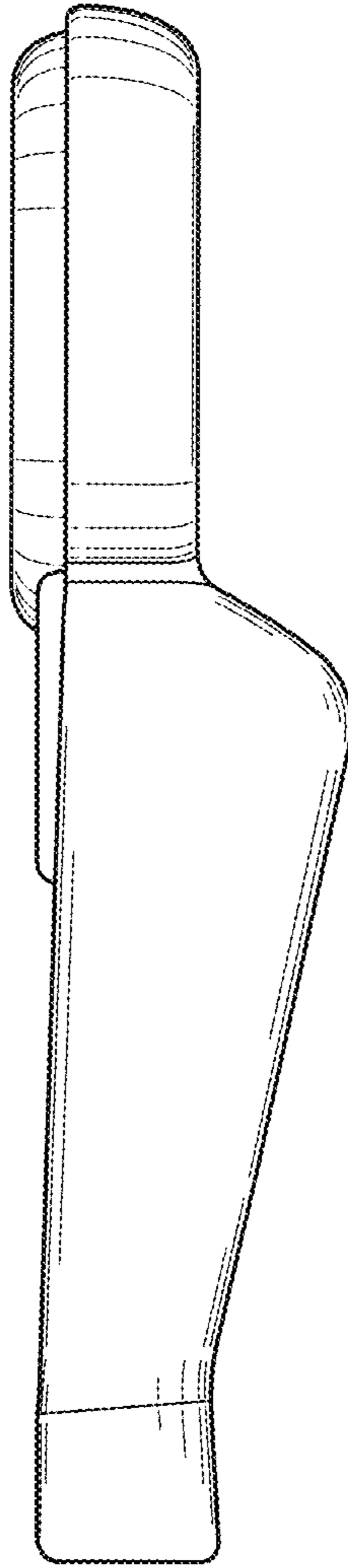


FIG. 1

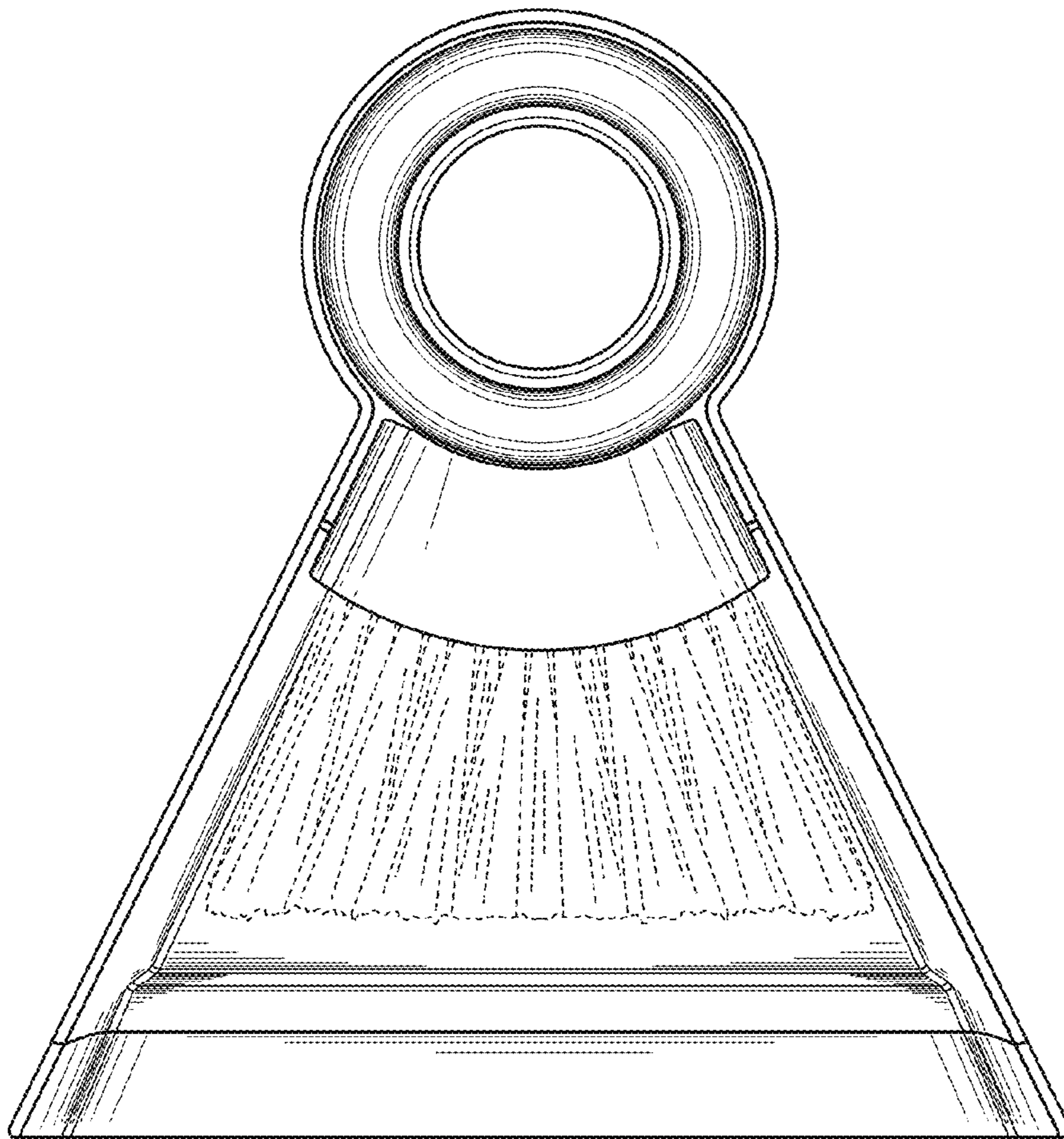


FIG. 2

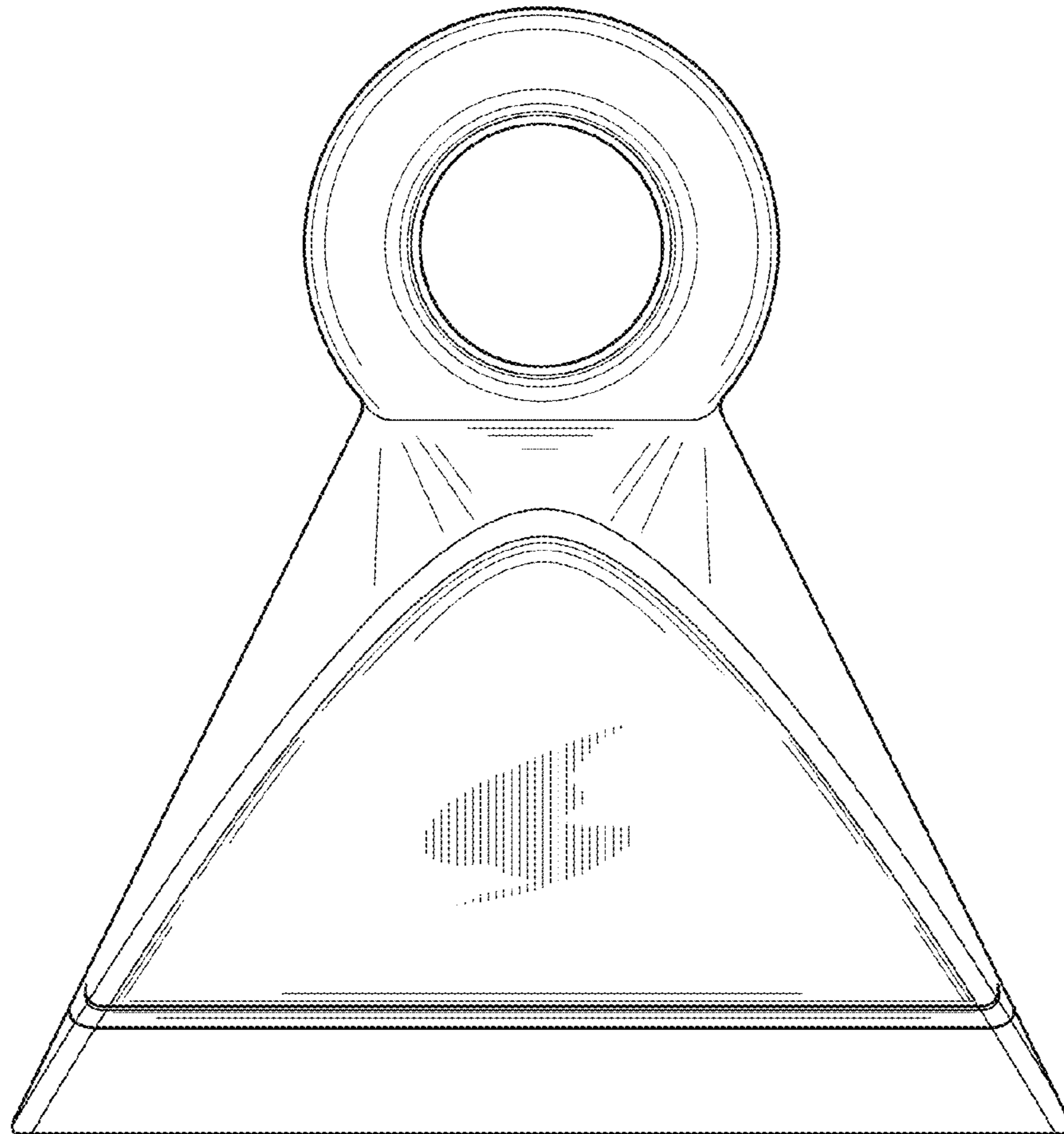


FIG. 3

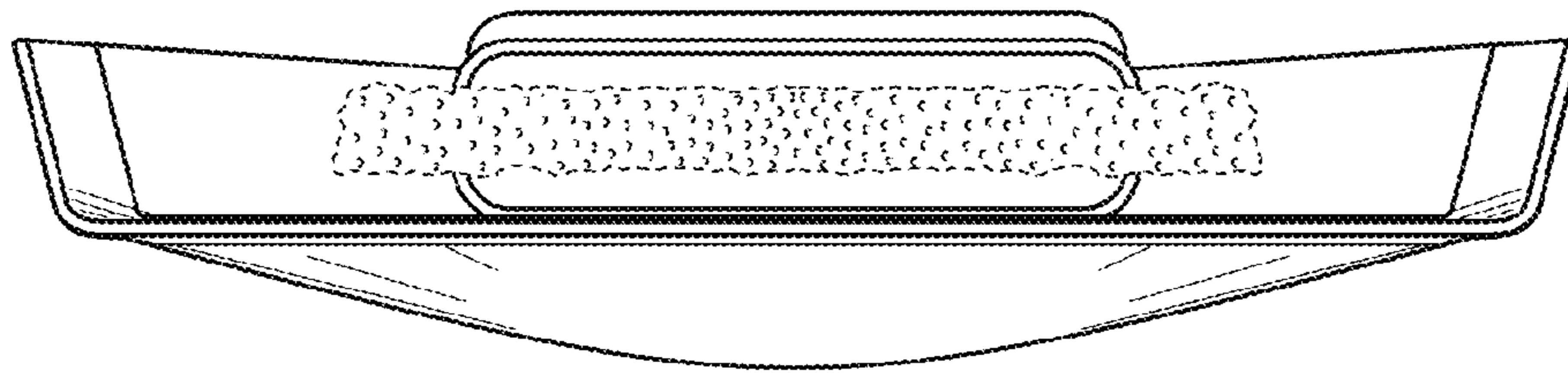


FIG. 4

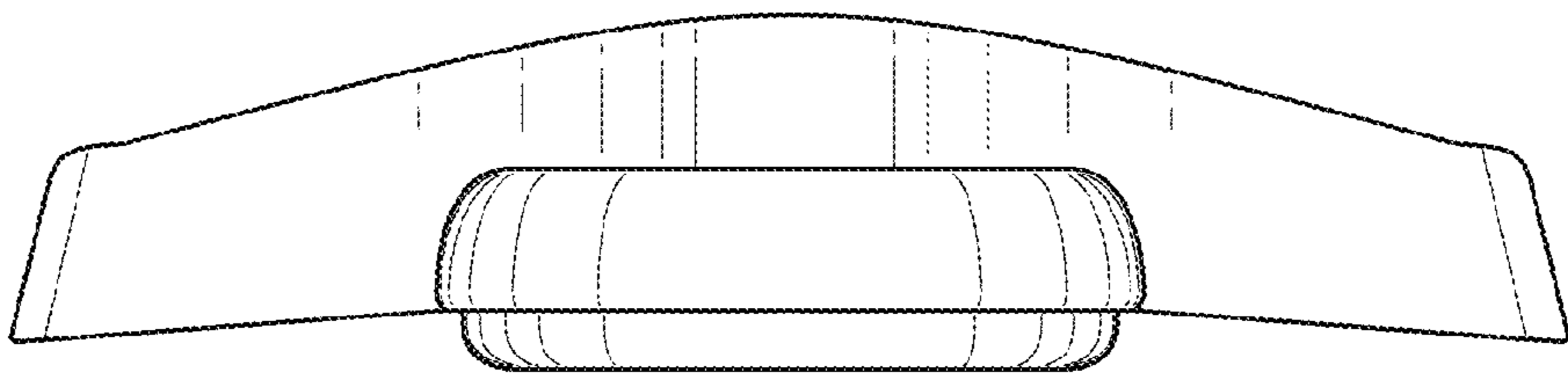


FIG. 5

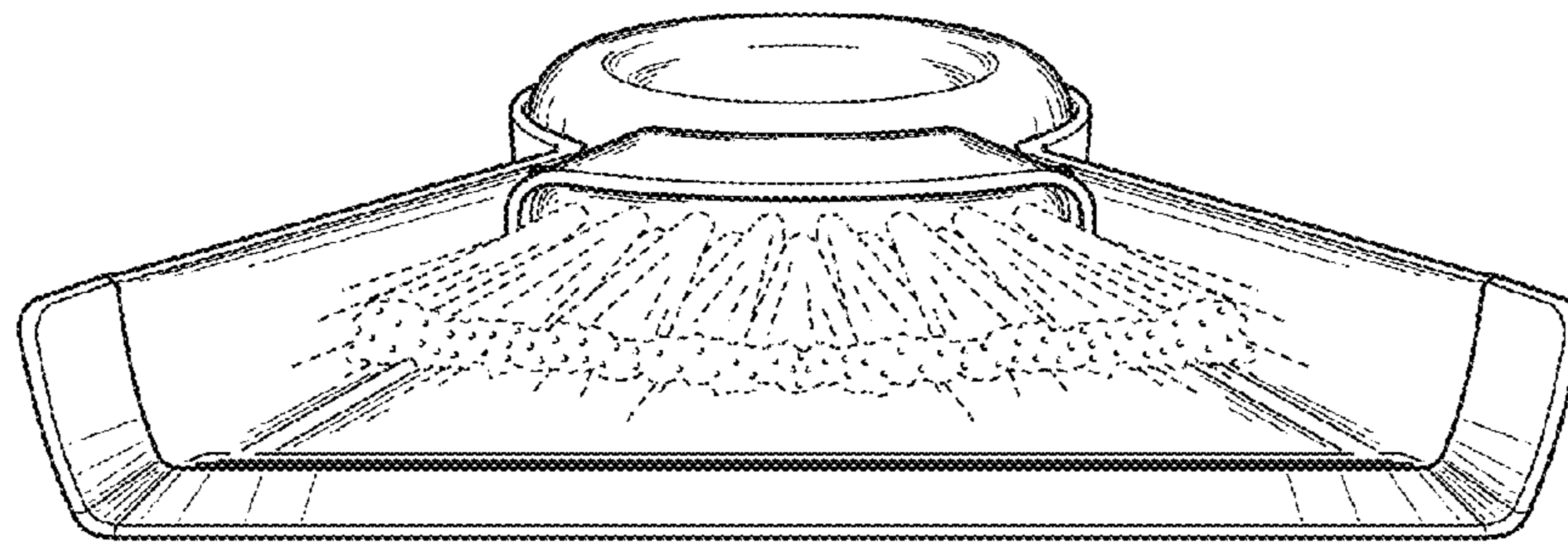


FIG. 6

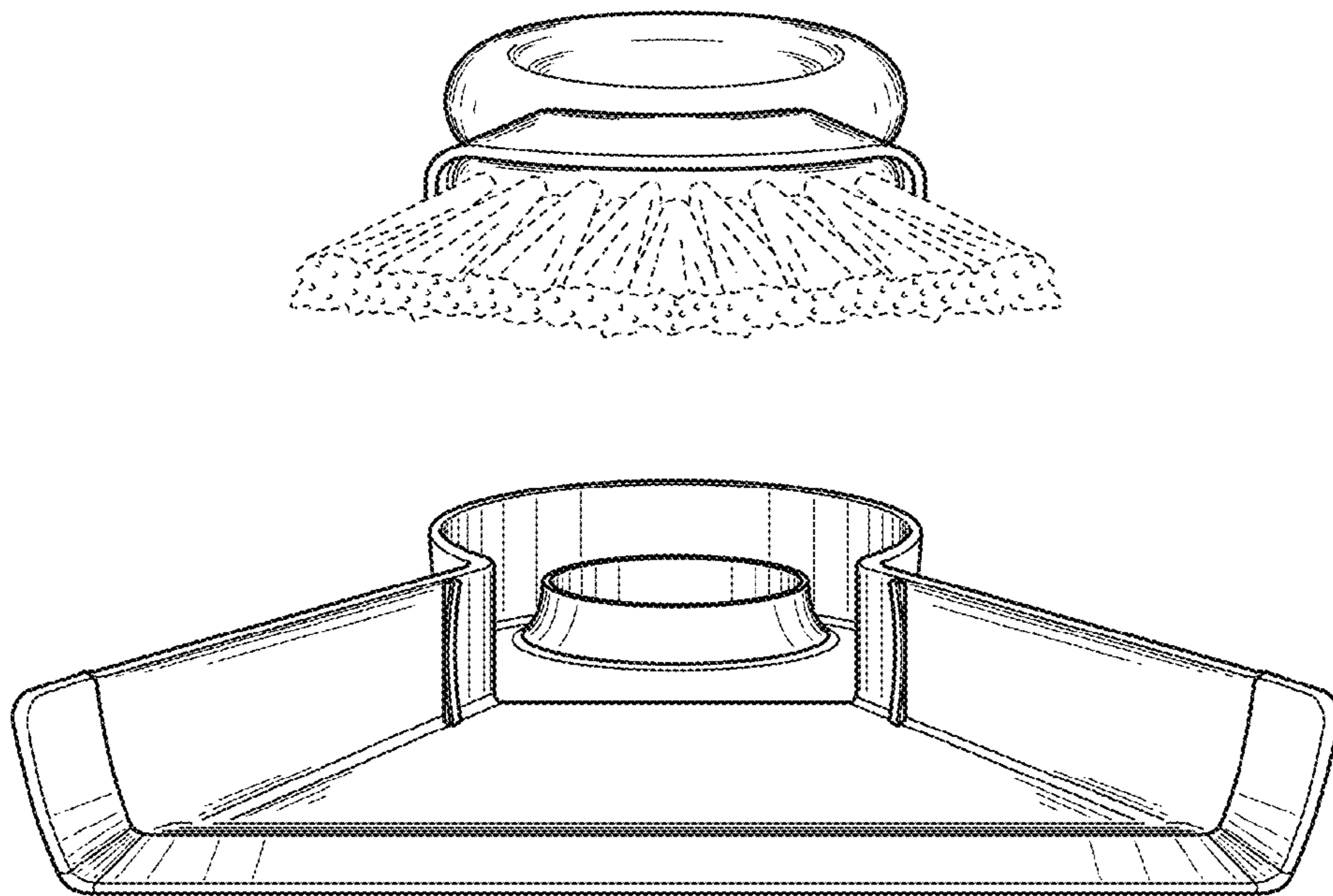


FIG. 7