



US00D767841S

(12) **United States Design Patent** (10) **Patent No.:** **US D767,841 S**
Cotter (45) **Date of Patent:** **** Sep. 27, 2016**

- (54) **DISH DRAINER**
- (71) Applicant: **Progressive International Corporation, Kent, WA (US)**
- (72) Inventor: **Jennifer K. Cotter, Seattle, WA (US)**
- (73) Assignee: **Progressive International Corporation, Kent, WA (US)**
- (**) Term: **14 Years**
- (21) Appl. No.: **29/516,655**
- (22) Filed: **Feb. 4, 2015**
- (51) **LOC (10) Cl.** **07-05**
- (52) **U.S. Cl.**
USPC **D32/55**
- (58) **Field of Classification Search**
USPC D32/55, 276, 3; D6/510, 525; D30/133;
211/41.5, 41.4, 41.3, 41.8; 361/679.4;
312/311, 333, 334.4; D7/354, 629
CPC A47L 15/505; A47L 15/503; A47L
15/0013; A47L 19/02; A47L 19/04; A47J
47/20
See application file for complete search history.

D530,461 S *	10/2006	Gibis	D32/3
D586,061 S	2/2009	Curtin	
D599,069 S	8/2009	Curtin	
D634,089 S *	3/2011	Wisniewski	D32/55
D670,882 S *	11/2012	Meredith	D32/55
D678,010 S *	3/2013	Sudmalis	D7/698
D696,829 S *	12/2013	Huang	D32/55
D706,008 S *	5/2014	Lerner	D32/55
D707,004 S *	6/2014	Levy	D32/57
D720,109 S *	12/2014	Huang	D32/55
D723,759 S *	3/2015	Evans	D32/55
D732,256 S *	6/2015	Huang	D32/55
D736,488 S *	8/2015	Le	D32/55

* cited by examiner

Primary Examiner — Austin Murphy

(74) *Attorney, Agent, or Firm* — Lowe Graham Jones PLLC

(57) **CLAIM**

I claim the ornamental design for the dish drainer, as shown and described.

DESCRIPTION

FIG. 1 is a perspective view of the dish drainer, showing my new design.

FIG. 2 is a top view of the dish drainer.

FIG. 3 is a front view of the dish drainer, the back view being a mirror image.

FIG. 4 is a right side view of the dish drainer.

FIG. 5 is a left side view of the dish drainer; and,

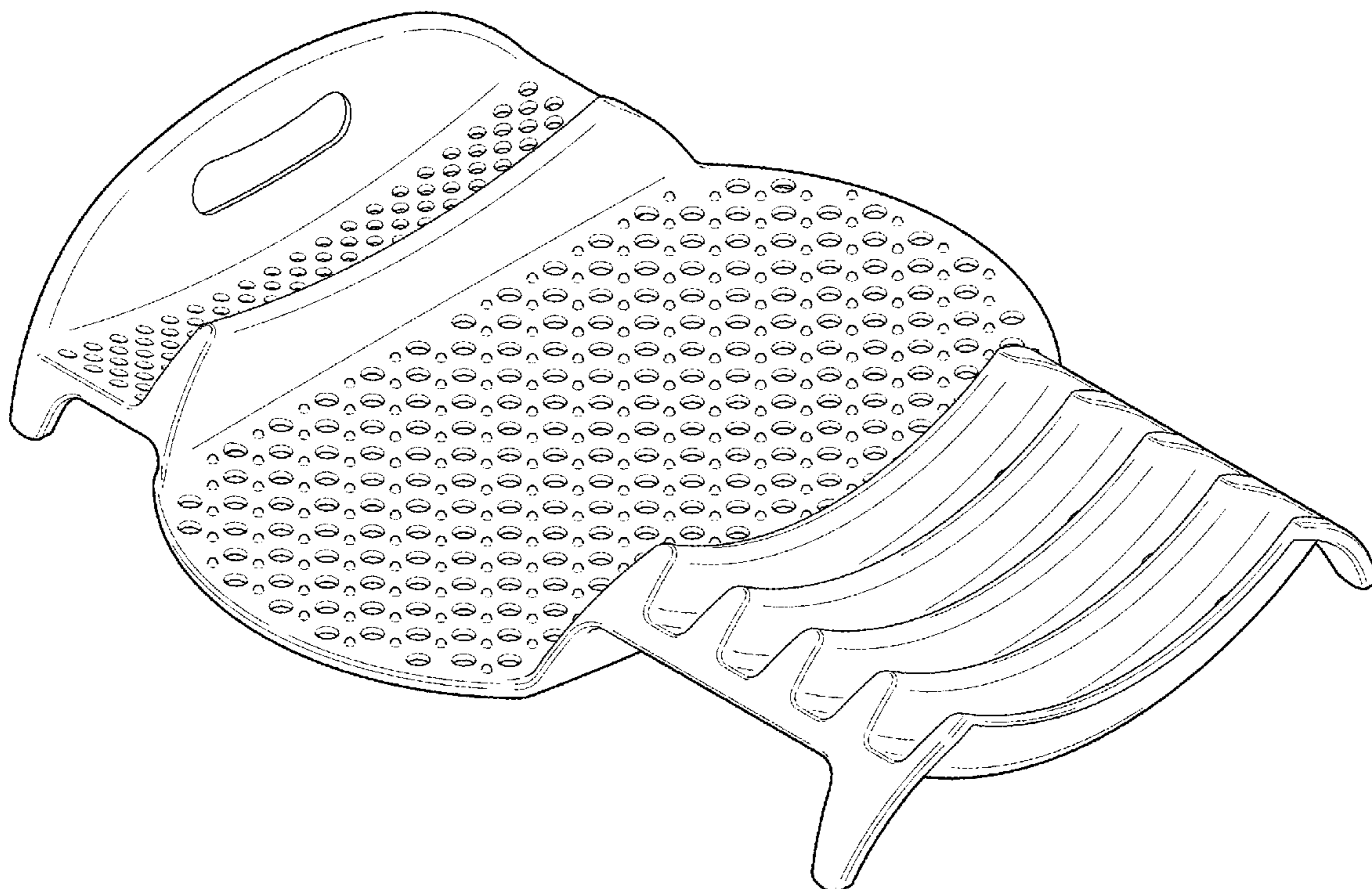
FIG. 6 is a bottom view of the dish drainer.

1 Claim, 5 Drawing Sheets

(56) **References Cited**

U.S. PATENT DOCUMENTS

D446,369 S *	8/2001	Smith	D32/55
D492,457 S *	6/2004	Soroka	D32/55



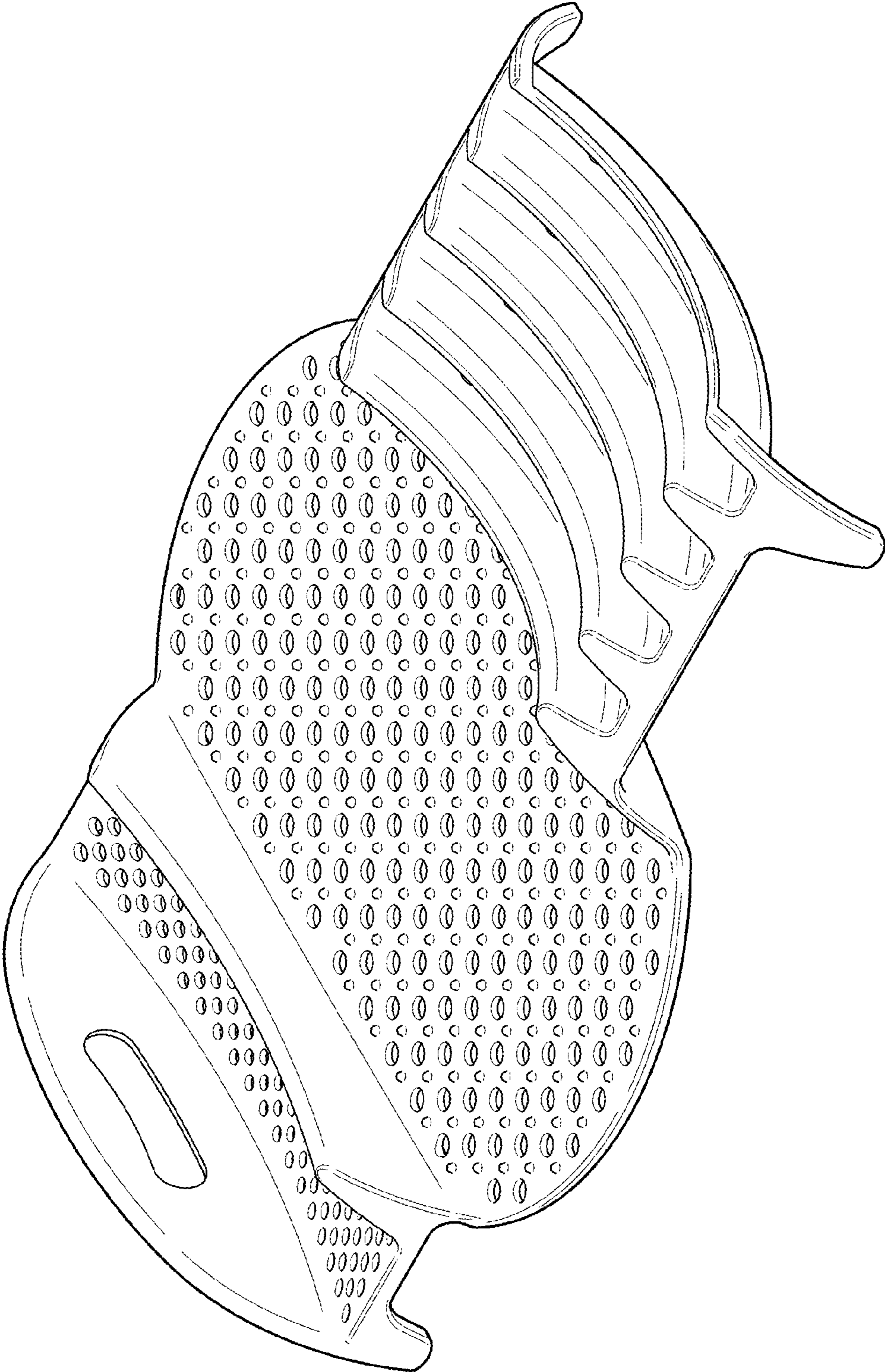


FIG.1

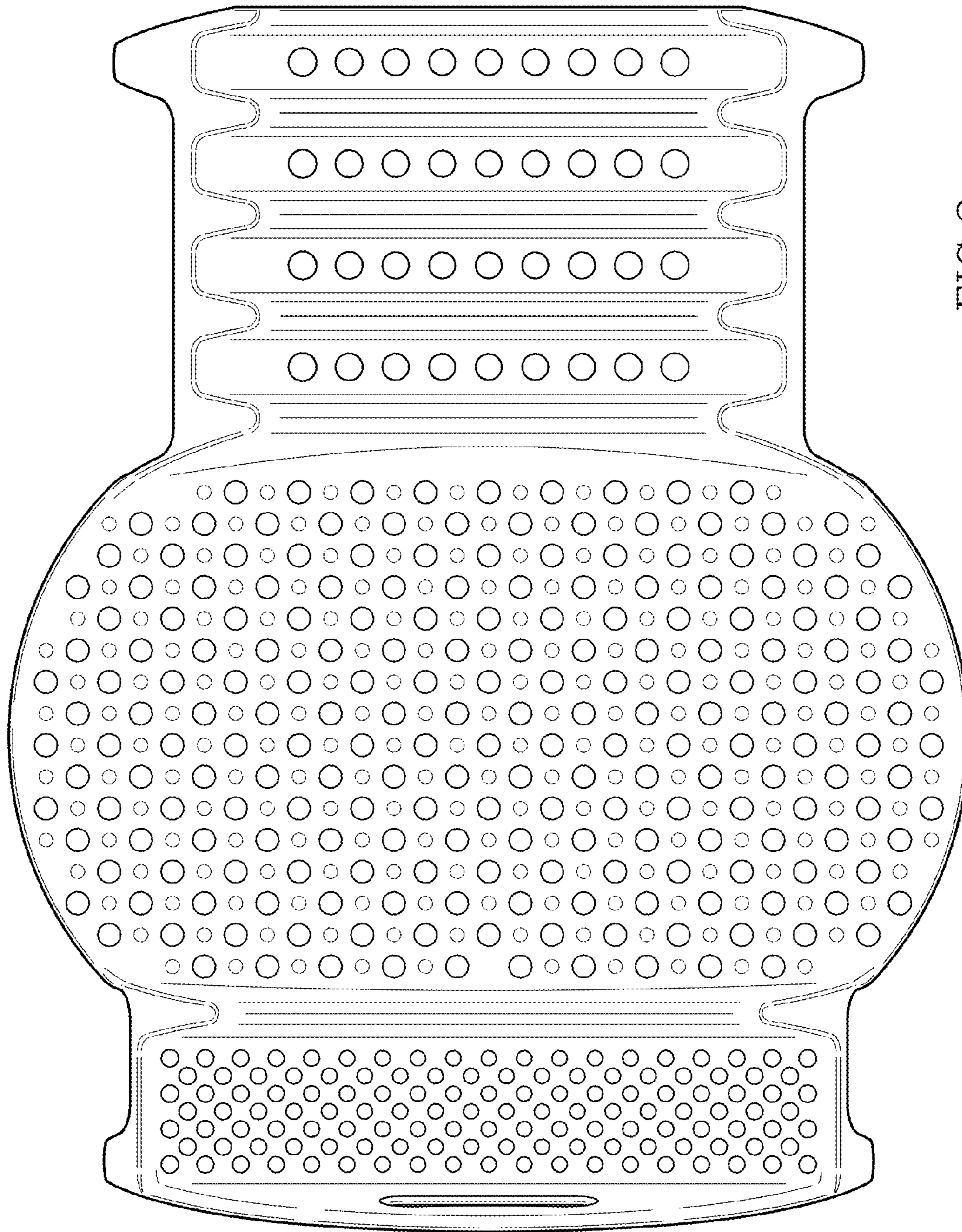


FIG.2

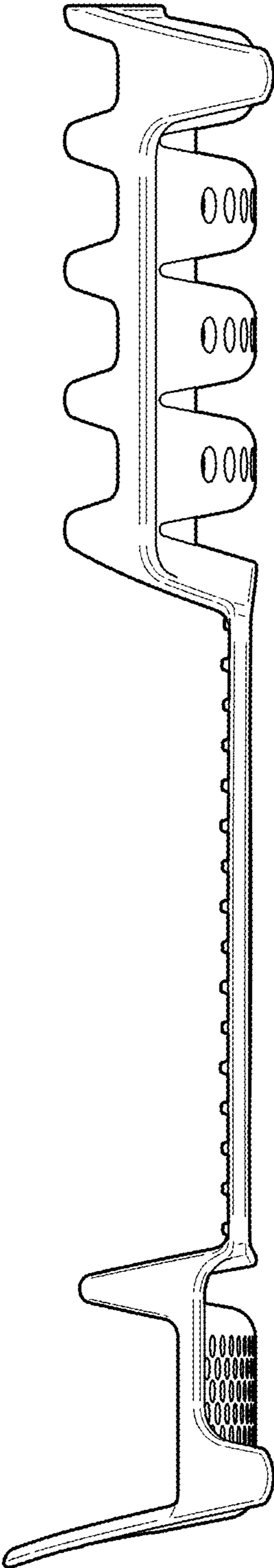


FIG. 3

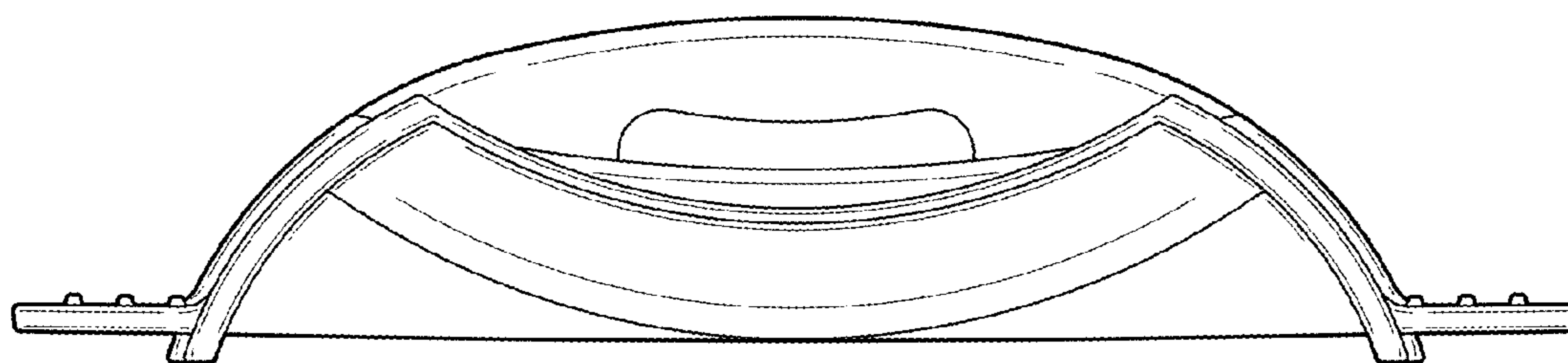


FIG. 4

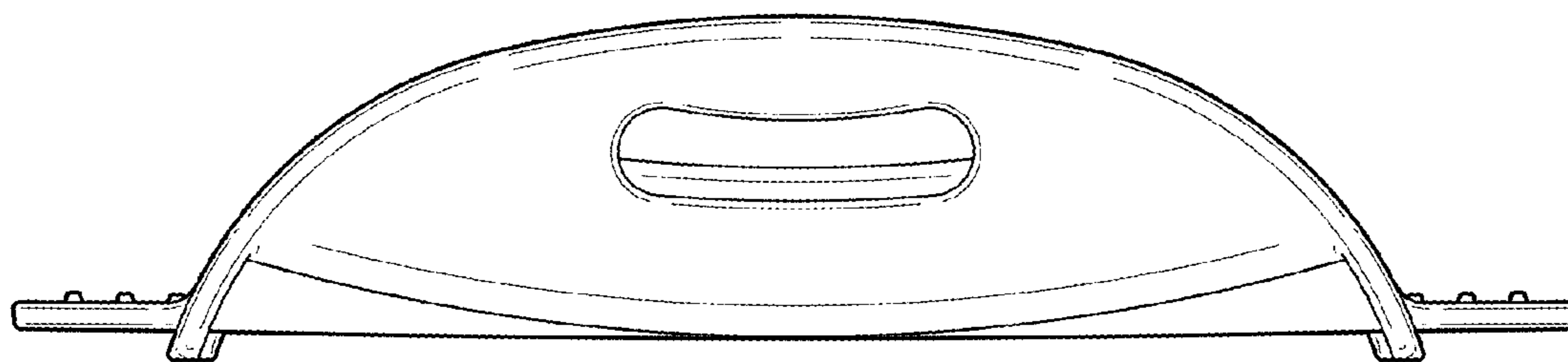


FIG. 5

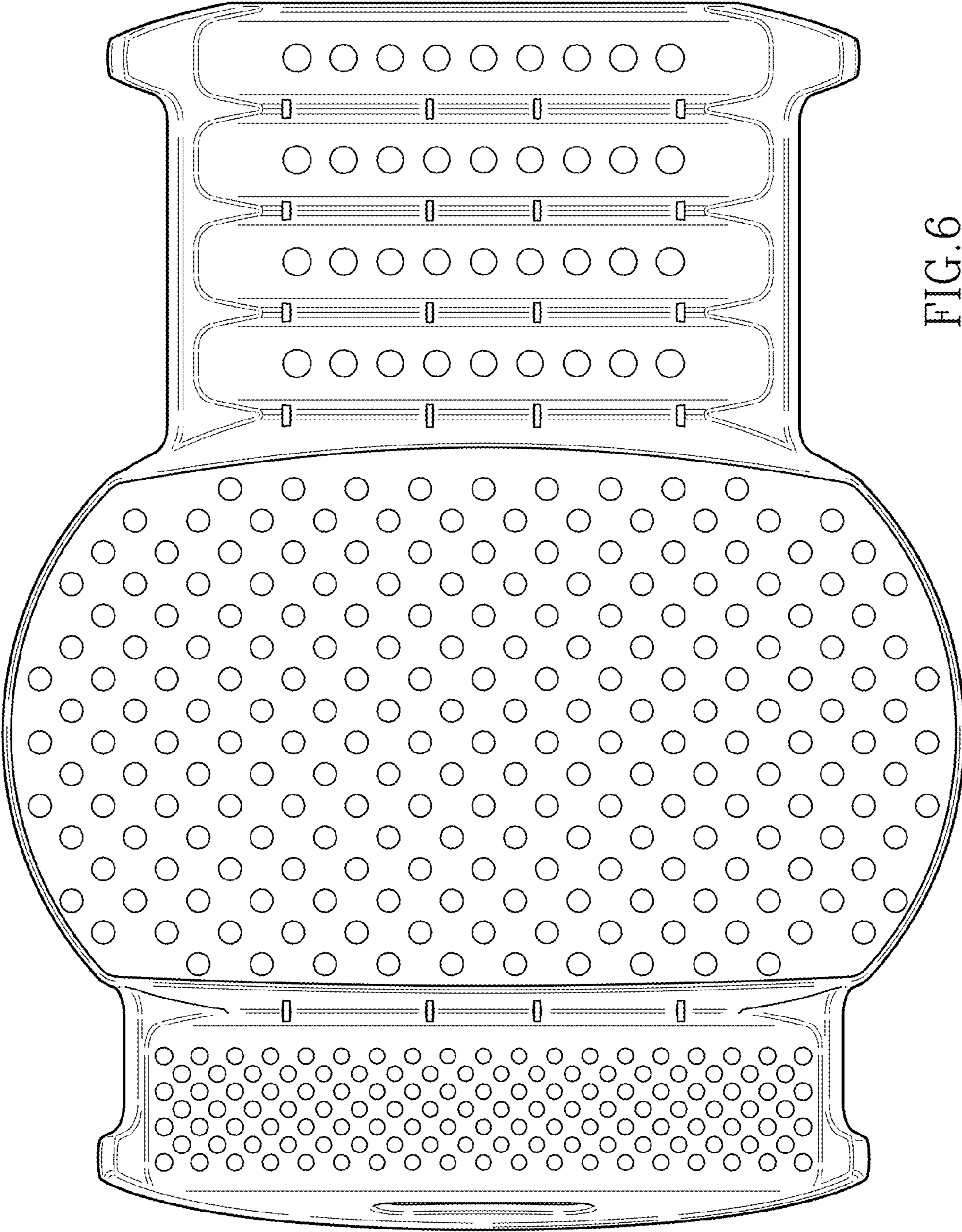


FIG. 6