



US00D767840S

(12) **United States Design Patent** (10) **Patent No.:** **US D767,840 S**  
**Yamauchi et al.** (45) **Date of Patent:** **\*\* Sep. 27, 2016**

(54) **POLISHING PAD**

FOREIGN PATENT DOCUMENTS

(71) Applicant: **MARUISHI SANGYO CO., LTD.**,  
Tokyo (JP)

CN 301742796 S 5/2011  
CN 301742798 S 5/2011

(Continued)

(72) Inventors: **Masaru Yamauchi**, Tokyo (JP);  
**Motoyuki Miyasaka**, Tokyo (JP);  
**Tatsuya Ishino**, Tokyo (JP)

OTHER PUBLICATIONS

(73) Assignee: **MARUISHI SANGYO CO., LTD.**,  
Tokyo (JP)

Marble hand polishing pads by stadea, Polishing Pads, review date  
Sep. 28, 2012, [http://www.amazon.com/marble-hand-polishing-pads-stadea/dp/B00832FAX4/ref=sr\\_1\\_138?ie=UTF8&qid=1462141450&sr=8-138&keywords=polishing+pad](http://www.amazon.com/marble-hand-polishing-pads-stadea/dp/B00832FAX4/ref=sr_1_138?ie=UTF8&qid=1462141450&sr=8-138&keywords=polishing+pad), site visited May 1, 2016.\*

(\*\*) Term: **14 Years**

(Continued)

(21) Appl. No.: **29/509,022**

*Primary Examiner* — John Windmuller

(22) Filed: **Nov. 13, 2014**

*Assistant Examiner* — John R Yeh

(30) **Foreign Application Priority Data**

(74) *Attorney, Agent, or Firm* — Roberts & Roberts, LLP

May 20, 2014 (JP) ..... 2014-010697

(51) **LOC (10) Cl.** ..... **04-01**

(52) **U.S. Cl.**  
USPC ..... **D32/40**

(58) **Field of Classification Search**  
USPC ..... D32/35, 40, 49-53, 71-72; D6/582-4,  
D6/595-596, 601-606; D5/1-2, 57-58,  
D5/61-62, 99

CPC ..... A47L 13/12; A47L 13/16; A47L 13/20;  
A47L 13/24; A47L 13/144; A47L 13/146;  
B24D 13/045; B24D 3/20; B24D 11/00;  
B25B 23/16; B24B 37/04; B24B 37/26

See application file for complete search history.

(57) **CLAIM**

The ornamental design for a polishing pad, as shown and described.

**DESCRIPTION**

FIG. 1 is an entire stereographic perspective view of a polishing pad showing our new design.

FIG. 2 is a front view thereof.

FIG. 3 is a rear view thereof.

FIG. 4 is a bottom view thereof.

FIG. 5 is a plan view thereof.

FIG. 6 is a left side view thereof.

FIG. 7 is a right side view thereof.

FIG. 8 is a view of an enlarged portion thereof taken from a section of the front view of FIG. 2.

FIG. 9 is a perspective view of the enlarged portion thereof as indicated in FIG. 8.

FIG. 10 is an end view along a cross-section line 10-10 as indicated in FIG. 8; and,

FIG. 11 is an end view along a cross-section line 11-11 as indicated in FIG. 8.

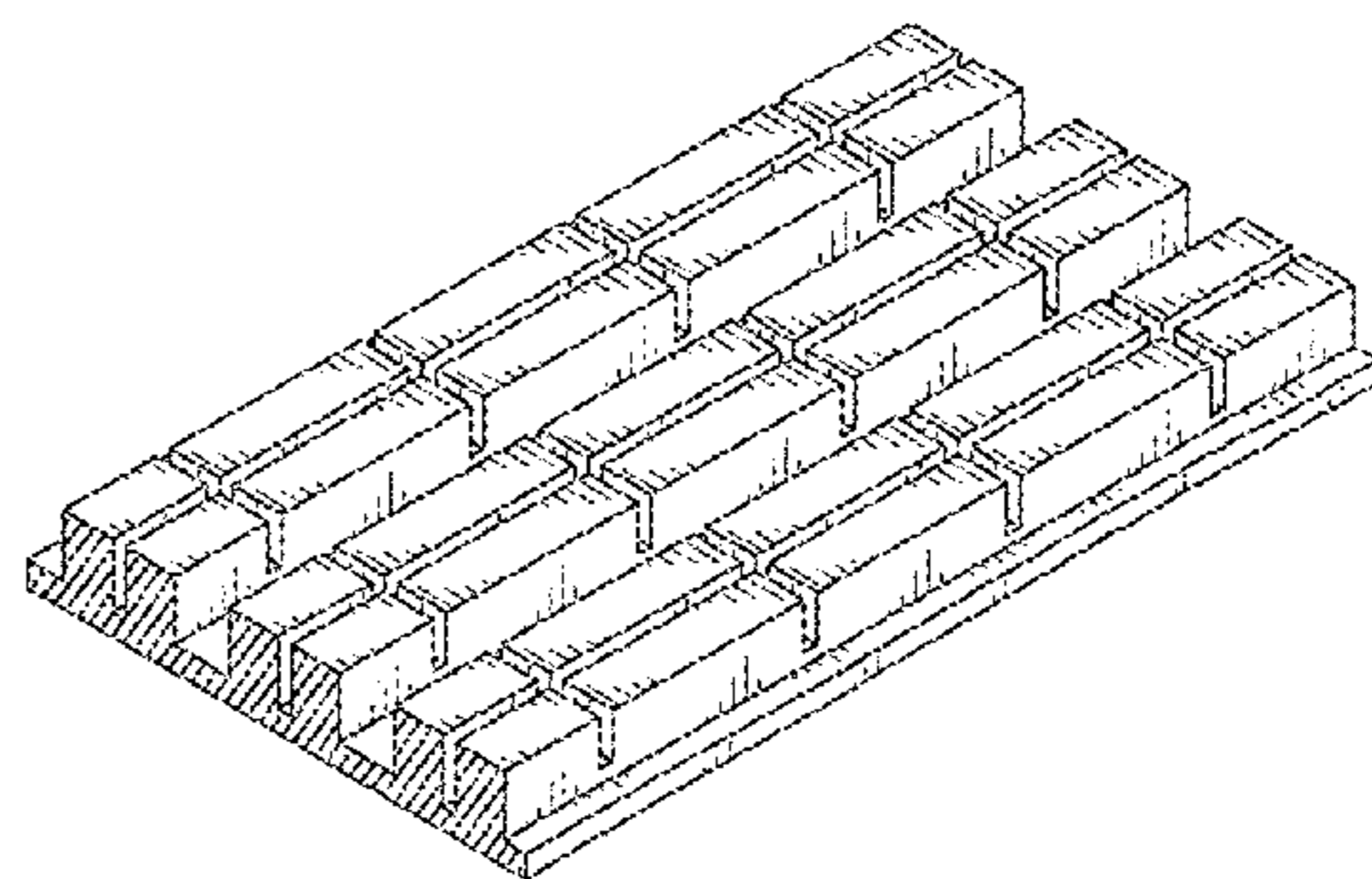
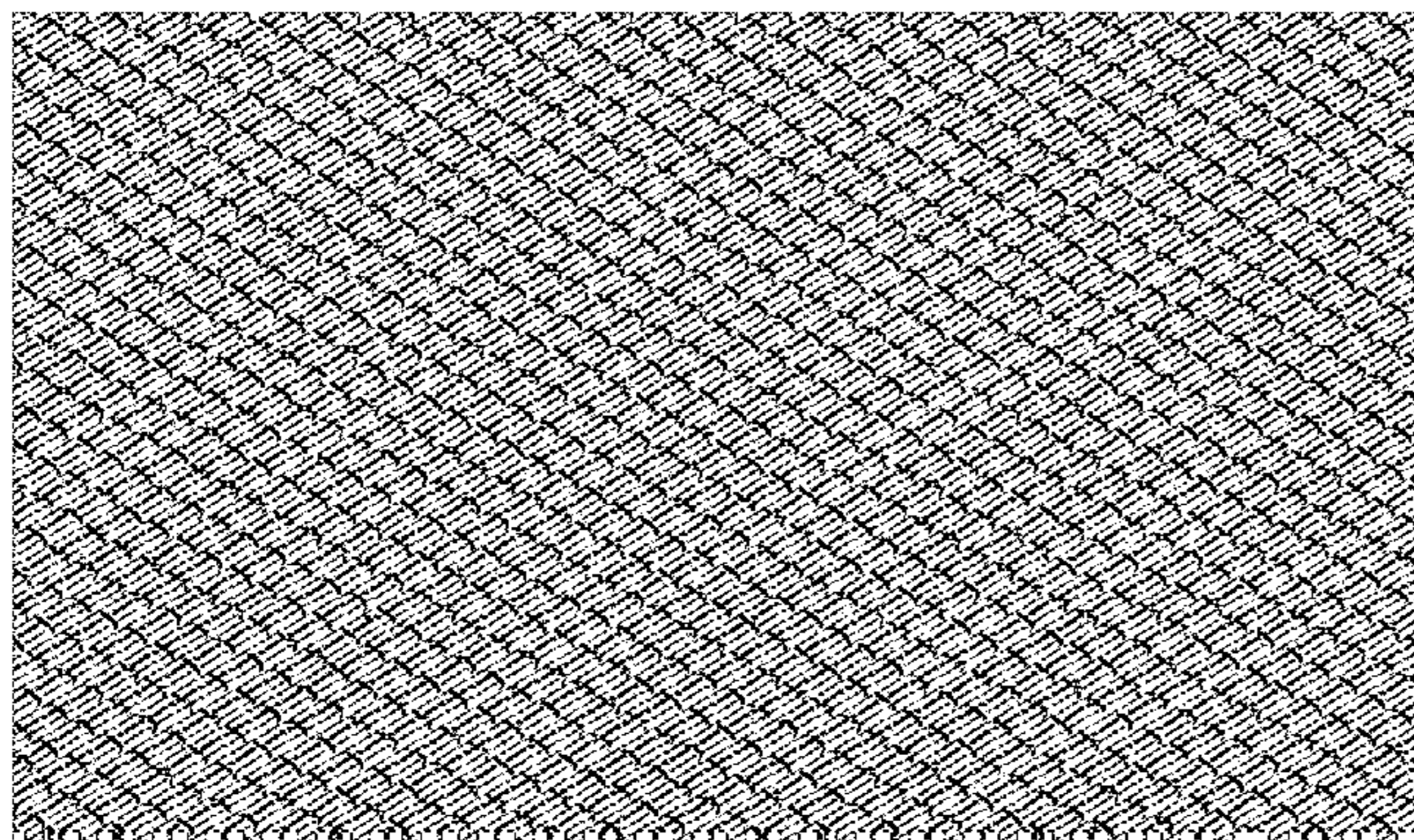
(56) **References Cited**

U.S. PATENT DOCUMENTS

1,222,563 A \* 4/1917 Rosenberg ..... A47G 9/062  
5/419  
1,808,834 A \* 6/1931 Busch, Sr. .... A47L 13/16  
401/200

(Continued)

**1 Claim, 7 Drawing Sheets**



(56)

References Cited

U.S. PATENT DOCUMENTS

1,993,174 A \* 3/1935 Le Coney ..... A47K 7/03  
15/209.1  
2,354,435 A \* 7/1944 Stedman ..... D02G 3/06  
139/420 R  
D178,006 S \* 6/1956 Nilsen ..... D25/163  
2,809,145 A \* 10/1957 McDermott ..... B41J 29/08  
156/220  
2,886,697 A \* 5/1959 Pomeroy ..... F21V 11/00  
139/425 R  
3,074,099 A \* 1/1963 Cameron ..... A47L 13/03  
15/104.94  
4,993,099 A \* 2/1991 Emura ..... A47L 13/16  
15/118  
D429,545 S \* 8/2000 Denney ..... D32/40  
6,554,937 B1 \* 4/2003 Kenmochi ..... A47L 13/20  
15/209.1  
D545,018 S \* 6/2007 Caruso ..... D32/40  
D559,064 S 1/2008 Okamoto et al.  
D627,941 S \* 11/2010 Cocchioni ..... D32/40  
D636,606 S \* 4/2011 Wang ..... D5/47  
D657,103 S \* 4/2012 Wildeman ..... D32/40  
D657,513 S \* 4/2012 Wildeman ..... D32/40  
D673,746 S \* 1/2013 Pung ..... D32/40  
D685,544 S \* 7/2013 Clarke ..... D32/40  
D714,506 S \* 9/2014 Yamada ..... D32/40  
8,834,984 B2 \* 9/2014 Wildeman ..... D05B 3/00  
112/402  
D742,195 S \* 11/2015 Dow ..... D8/90

2002/0184723 A1\* 12/2002 Bishop ..... A47L 13/12  
15/118  
2003/0019570 A1\* 1/2003 Chen ..... B24B 37/24  
156/252  
2007/0261190 A1\* 11/2007 Hanson ..... A47L 13/20  
15/209.1  
2014/0259496 A1\* 9/2014 Wahlquist ..... A47L 13/16  
15/229.11  
2015/0061171 A1\* 3/2015 Ko ..... A61F 13/00017  
264/45.3

FOREIGN PATENT DOCUMENTS

CN 301742802 S 5/2011  
EM 002087205-0001 \* 8/2012  
JP D1348690 1/2009

OTHER PUBLICATIONS

Amazon.com: Revell R7047 Micro-Mesh Pad, review date Sep. 12, 2010, [http://www.amazon.com/Revell-R7047-Micro-Mesh-Variety-Pack/dp/B002XVDYCO/ref=sr\\_1\\_43?ie=UTF8&qid=1462141140&sr=8-43&keywords=polishing+pad](http://www.amazon.com/Revell-R7047-Micro-Mesh-Variety-Pack/dp/B002XVDYCO/ref=sr_1_43?ie=UTF8&qid=1462141140&sr=8-43&keywords=polishing+pad), site visited May 1, 2016.\*  
Amazon.com: SPTA 6inch 150mm Buff Pad Polishing Pad, review date Nov. 28, 2015, [http://www.amazon.com/...A-6inch-150mm-Polishing-Polisher/dp/B014SACHXU/ref=sr\\_1\\_2?ie=UTF8&qid=1462140934&sr=8-2-spons&keywords=polishing+pad&psc=1#customerReviews](http://www.amazon.com/...A-6inch-150mm-Polishing-Polisher/dp/B014SACHXU/ref=sr_1_2?ie=UTF8&qid=1462140934&sr=8-2-spons&keywords=polishing+pad&psc=1#customerReviews), [site visited May 1, 2016 6:16:55 PM].\*

\* cited by examiner

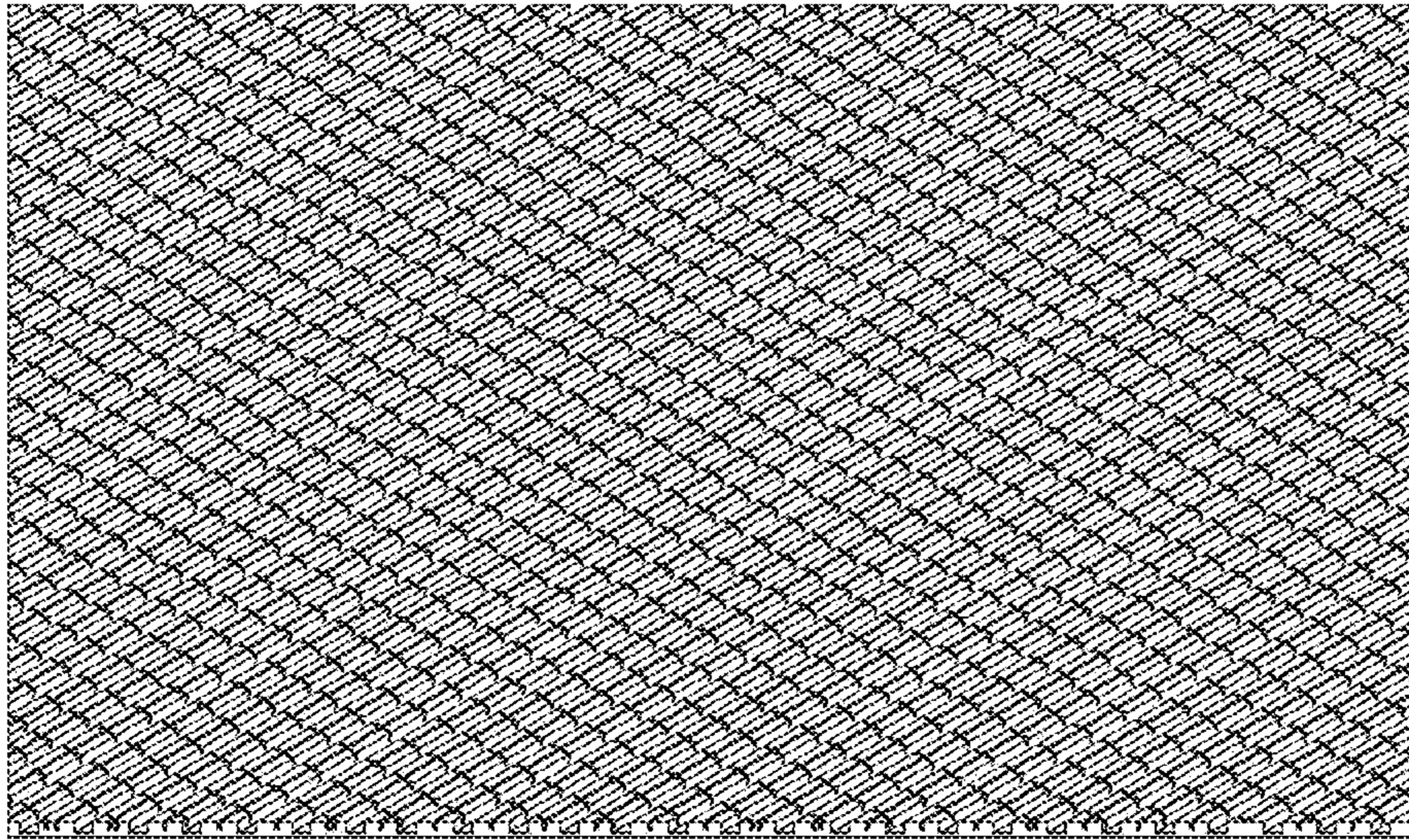


FIG. 1

FIG. 8

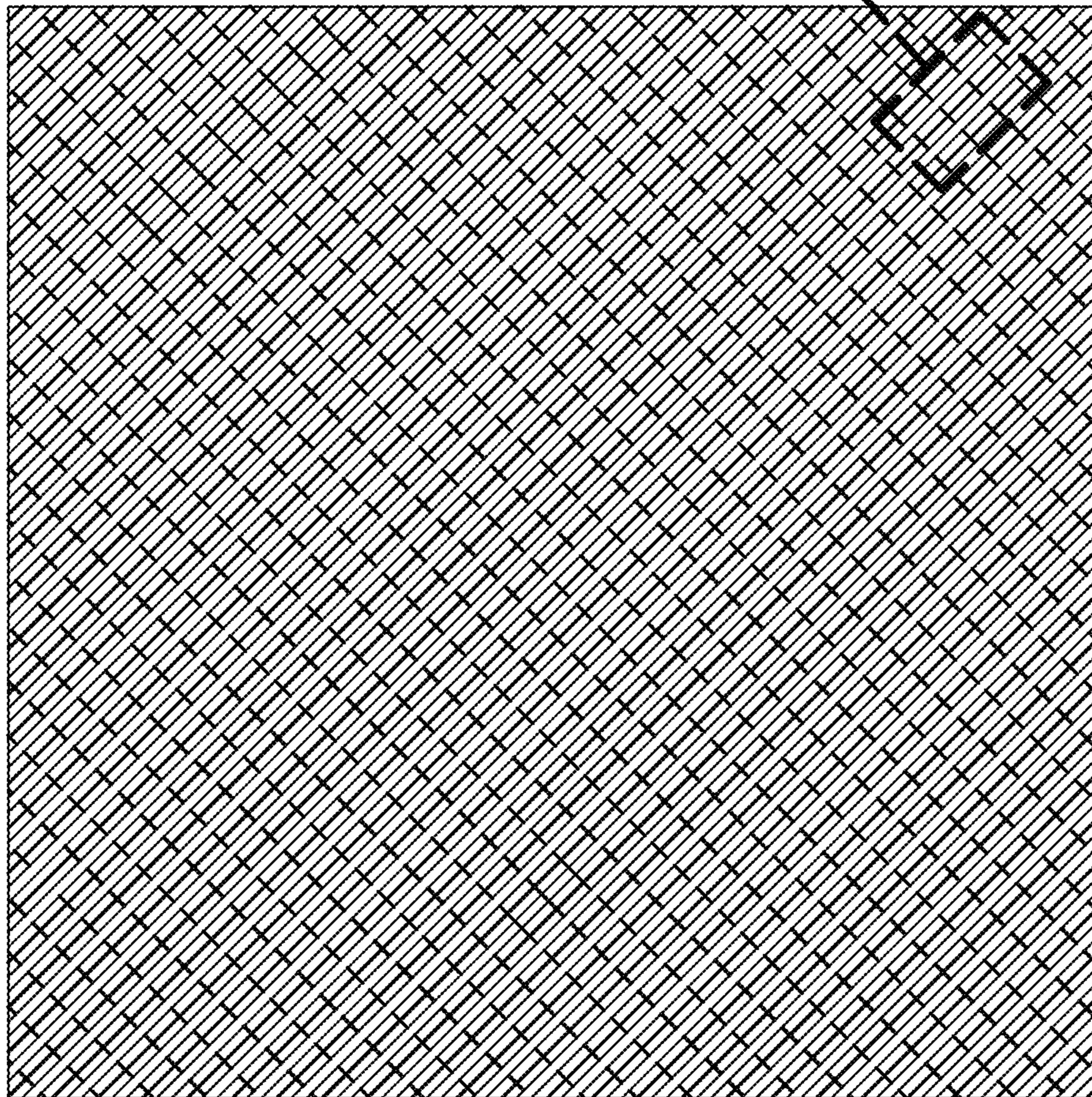


FIG. 2

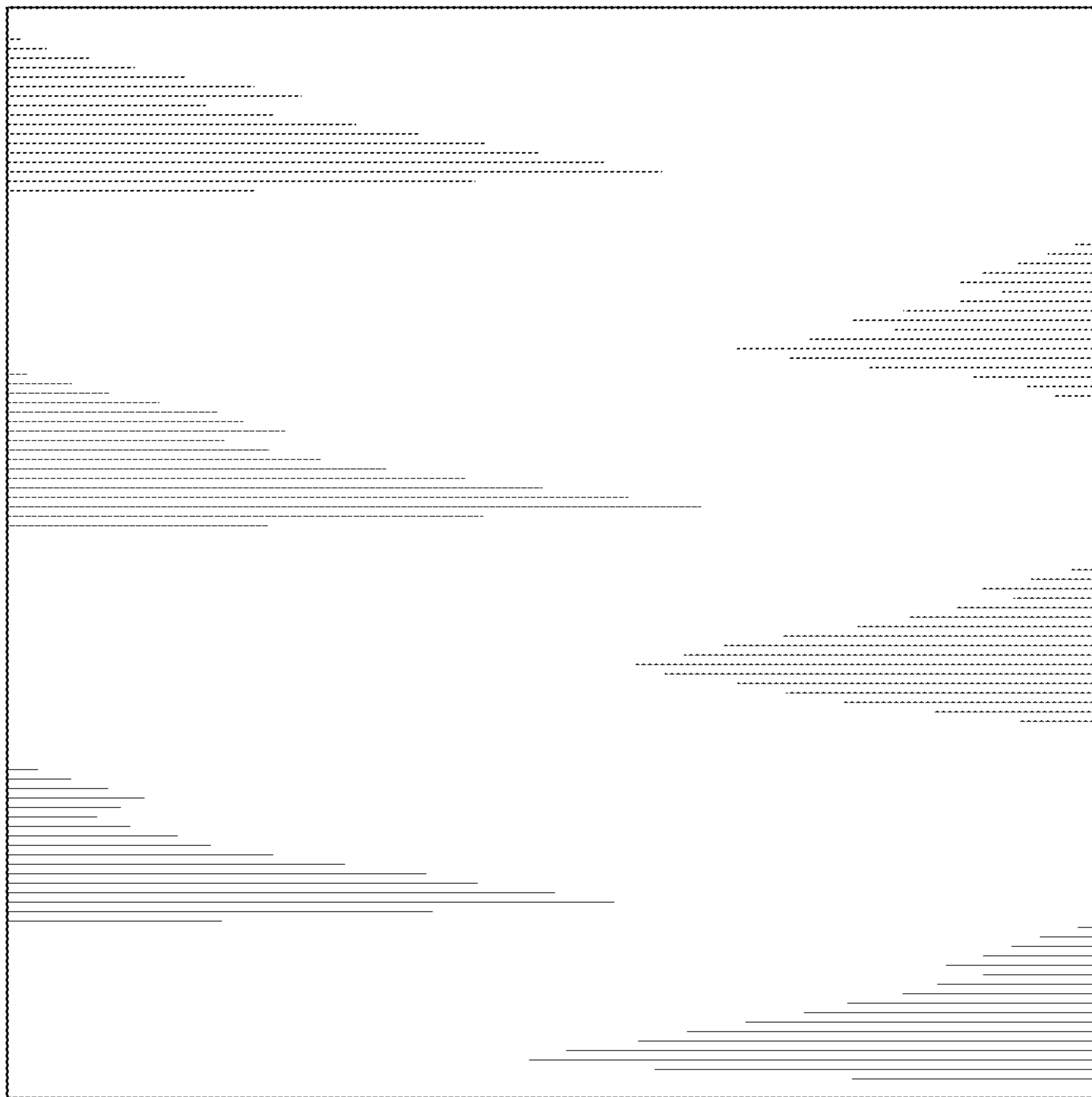


FIG. 3



FIG. 4



FIG. 5



FIG. 6



FIG. 7

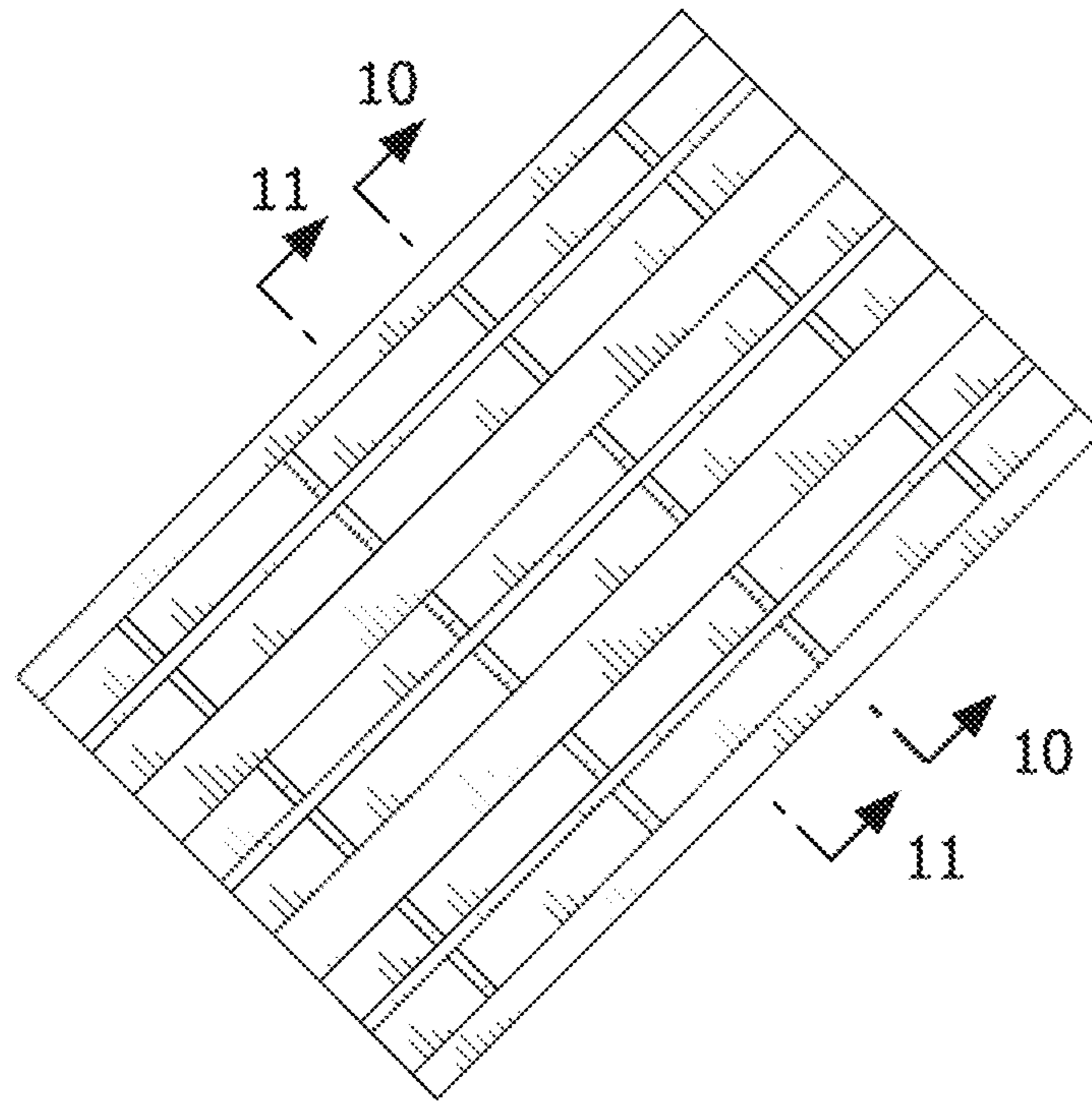


FIG. 8

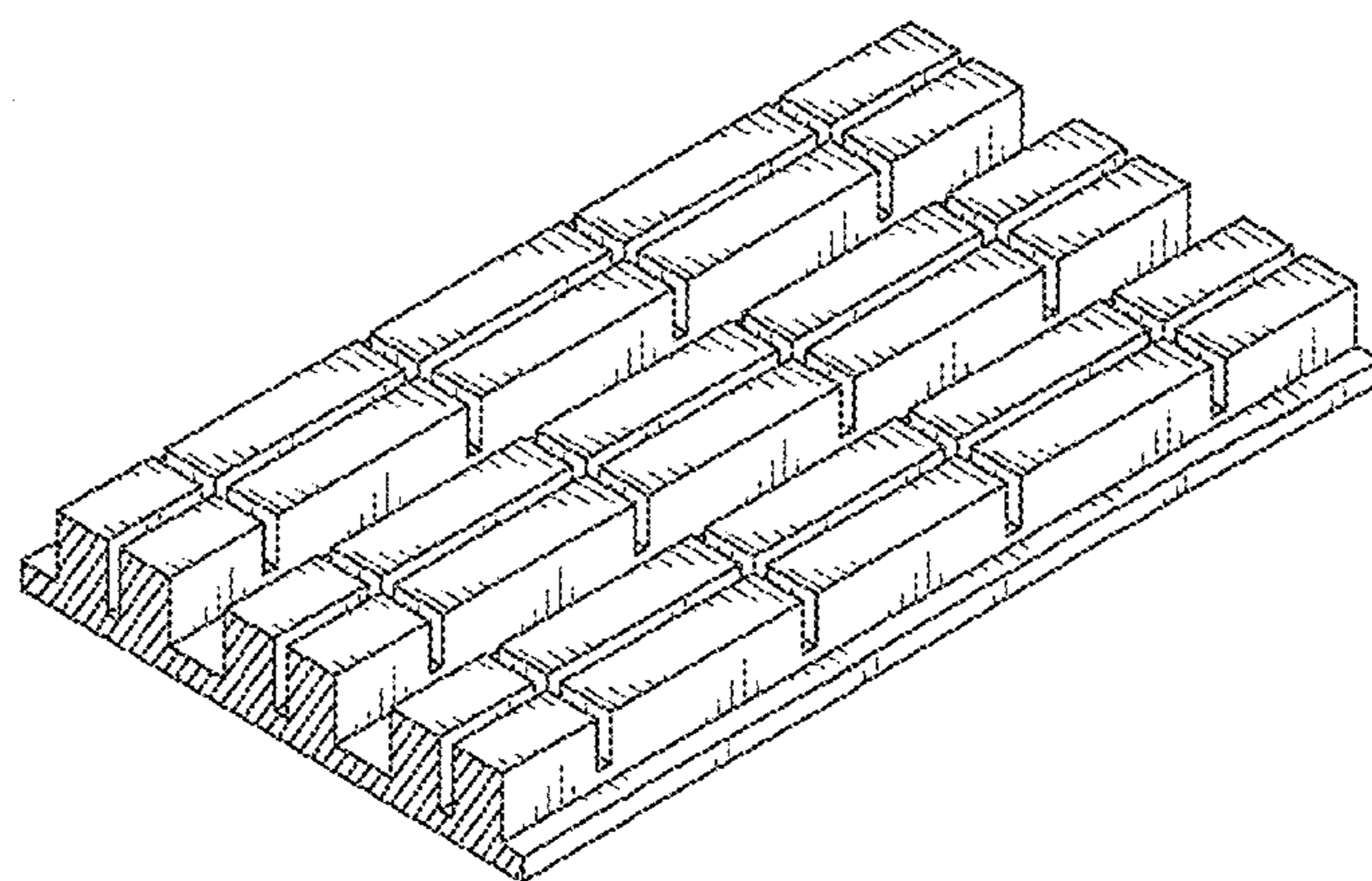


FIG. 9



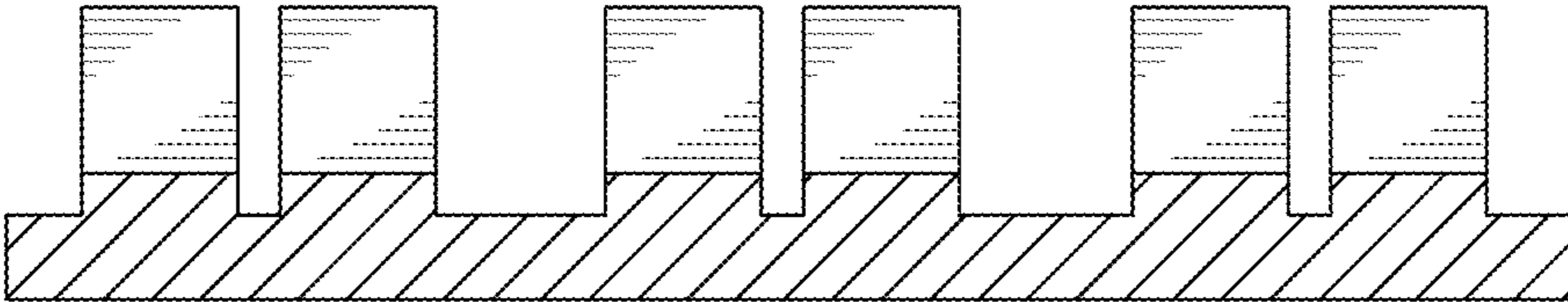


FIG. 10

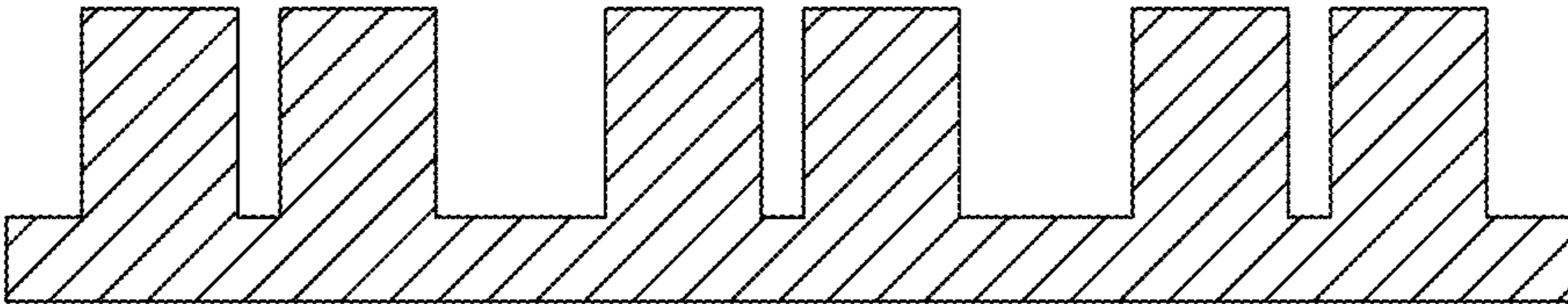


FIG. 11