



US00D767839S

(12) **United States Design Patent** (10) **Patent No.:** **US D767,839 S**
Hashimoto et al. (45) **Date of Patent:** **** Sep. 27, 2016**

(54) **OPTICAL CONNECTOR CLEANER**

(71) Applicant: **TOMOEGAWA CO., LTD.**, Tokyo (JP)

(72) Inventors: **Nobuhiro Hashimoto**, Shizuoka (JP); **Masayoshi Suzuki**, Shizuoka (JP)

(73) Assignee: **TOMOEGAWA CO., LTD.**, Tokyo (JP)

(**) Term: **14 Years**

(21) Appl. No.: **29/519,073**

(22) Filed: **Mar. 2, 2015**

(30) **Foreign Application Priority Data**

Sep. 4, 2014 (JP) 2014-019525

(51) **LOC (10) Cl.** **08-99**

(52) **U.S. Cl.**
USPC **D32/35**

(58) **Field of Classification Search**
USPC D32/1, 35; D20/29; D25/48.7, 62, 103;
D28/74; 15/104.001; 134/6; 385/63,
385/134, 115, 120, 147, 136, 137;
D12/183; D13/154
CPC B08B 1/008; B08B 1/04; B08B 2240/02;
G01M 11/00; G02B 27/024; G02B 6/38
See application file for complete search history.

(56) **References Cited**

U.S. PATENT DOCUMENTS

- 4,858,356 A * 8/1989 Brewer G02B 27/024
40/361
- D461,564 S * 8/2002 Neuleib D25/62
- D490,538 S * 5/2004 Clarkin D25/48.7
- D495,063 S * 8/2004 Barnard D25/103
- 7,192,197 B2 * 3/2007 Carberry B08B 1/00
385/63

- D548,888 S * 8/2007 McCambridge D28/74
- D551,141 S * 9/2007 Canitano D12/183
- D700,358 S * 2/2014 Myles D25/48.7
- D710,027 S * 7/2014 Myles D20/29
- D710,028 S * 7/2014 Myles D20/29
- D710,029 S * 7/2014 Myles D20/29
- 9,134,486 B2 * 9/2015 Tseng G02B 6/3849
- 2006/0067635 A1 * 3/2006 Carberry B08B 1/00
385/134
- 2010/0199447 A1 * 8/2010 Mercado B08B 1/00
15/104.001
- 2015/0234131 A1 * 8/2015 Tseng G02B 6/3849
385/56
- 2015/0370017 A1 * 12/2015 Moriyama G02B 6/322
385/78
- 2016/0054523 A1 * 2/2016 Lu G02B 6/245
264/1.25

* cited by examiner

Primary Examiner — Rosemary K Tarcza

Assistant Examiner — Yolanda Robinson

(74) *Attorney, Agent, or Firm* — Westerman, Hattori, Daniels & Adrian, LLP

(57) **CLAIM**

The ornamental design for an optical connector cleaner, as shown and described.

DESCRIPTION

FIG. 1 is a perspective view of an optical connector cleaner. FIG. 2 is a front elevation view thereof. A rear elevation view is identical to the front elevation view. FIG. 3 is a top plan view thereof. FIG. 4 is a bottom plan view thereof. FIG. 5 is a left side elevation view thereof. A right side elevation view is identical to the left side elevation view. FIG. 6 is a cross-sectional view taken along the line 6-6 in FIG. 3; and, FIG. 7 is a cross-sectional view taken along the line 7-7 in FIG. 3.

1 Claim, 7 Drawing Sheets

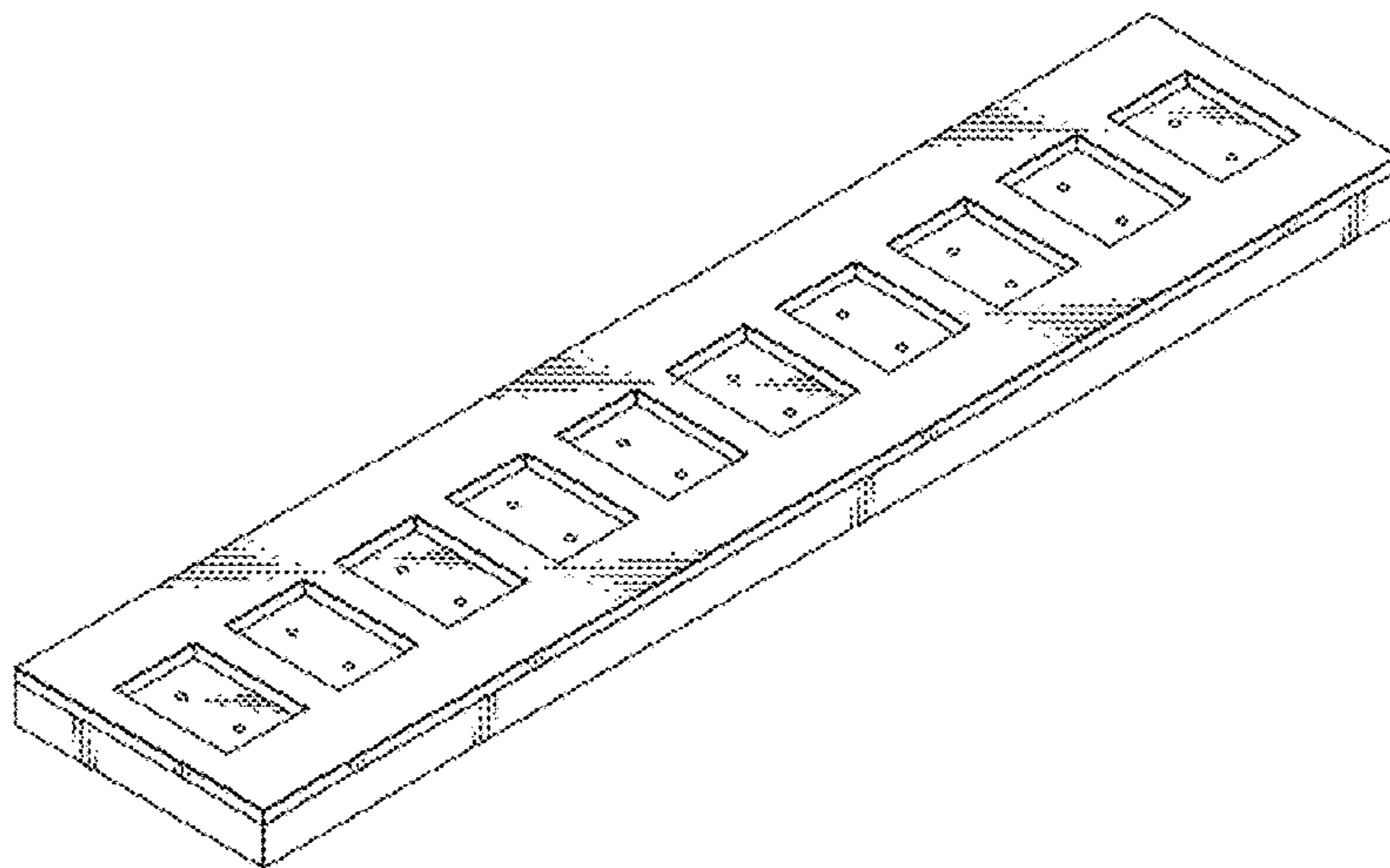


FIG. 1

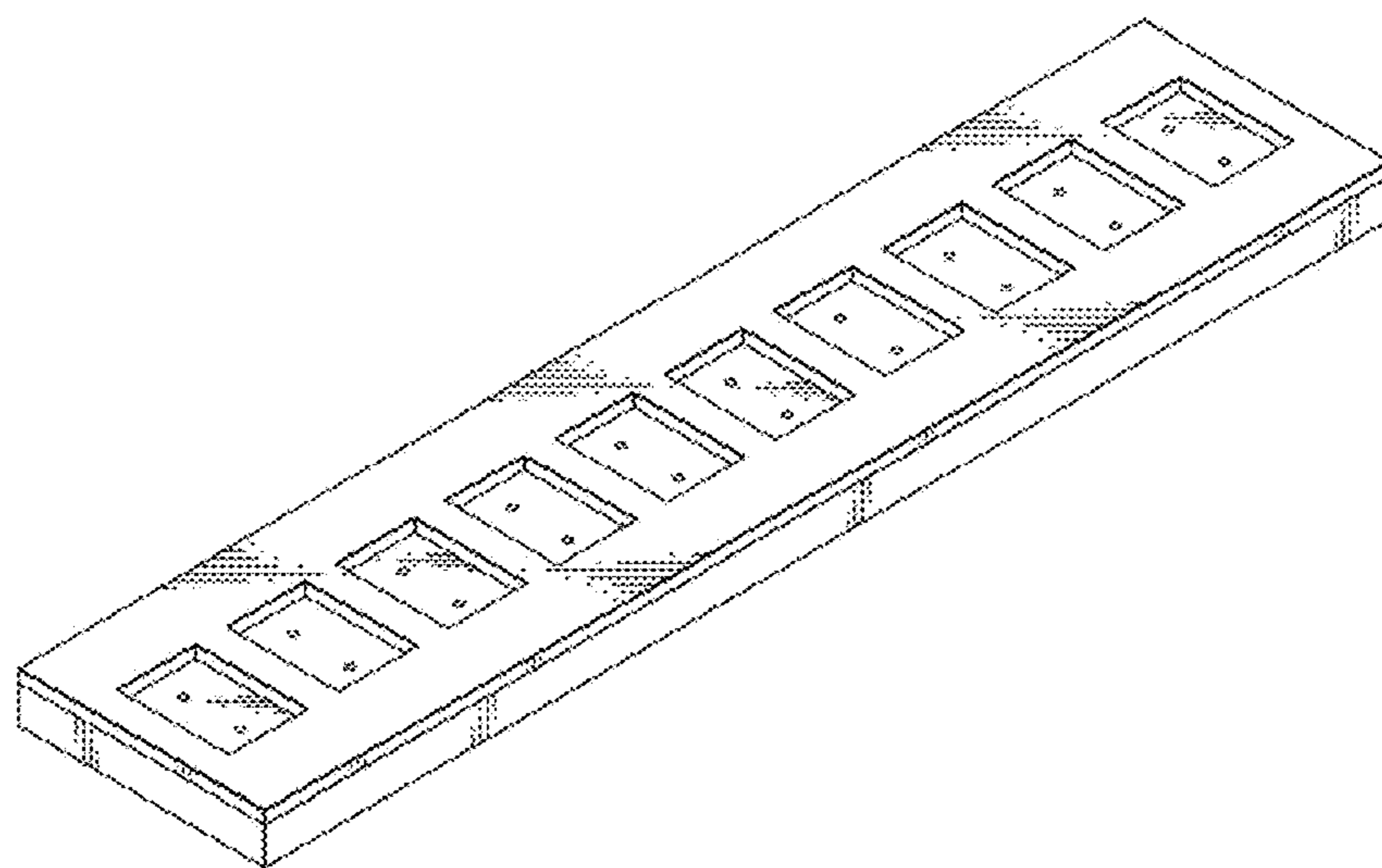


FIG. 2

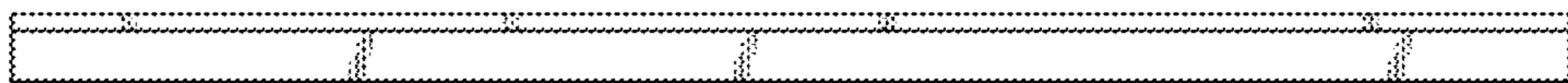


FIG. 3

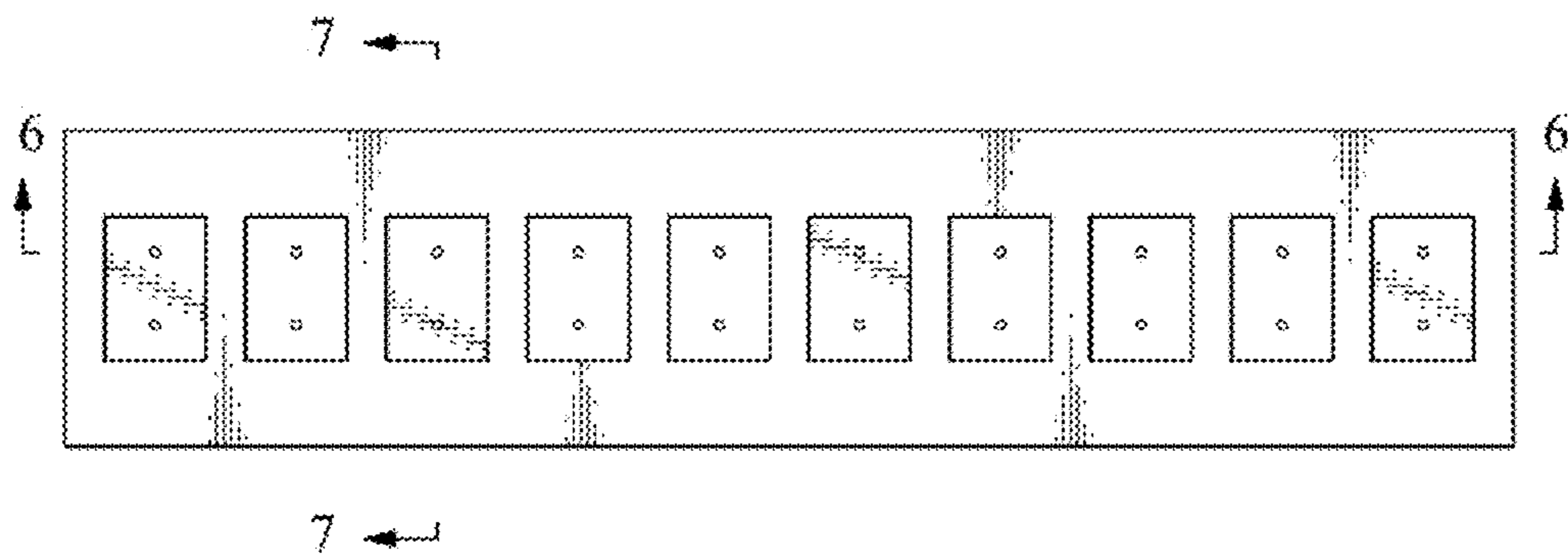


FIG. 4

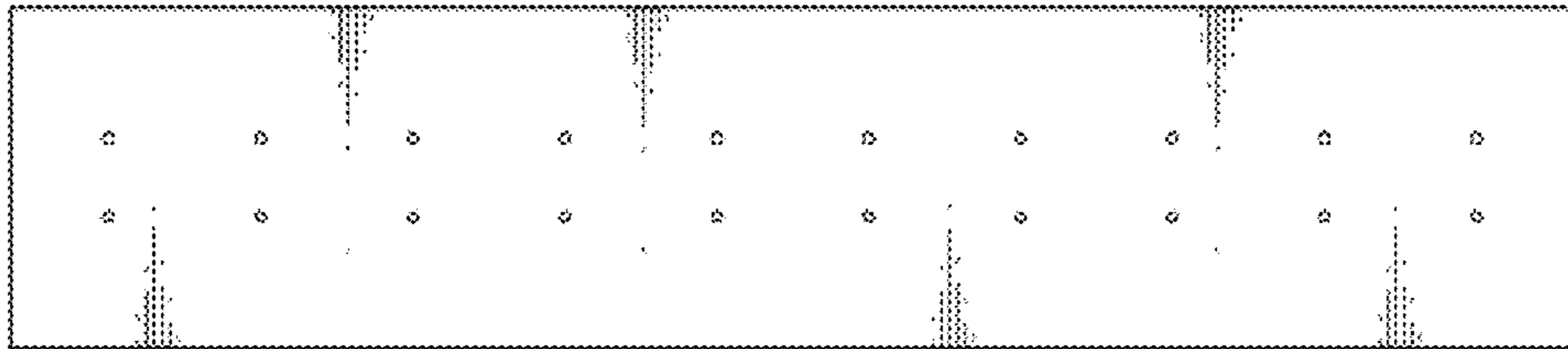


FIG. 5

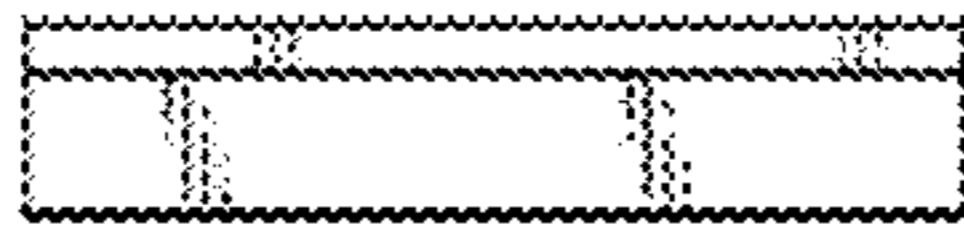


FIG. 6



FIG. 7

