



US00D767838S

(12) **United States Design Patent**
Mitchell et al.

(10) **Patent No.:** **US D767,838 S**

(45) **Date of Patent:** **** Sep. 27, 2016**

(54) **VACUUM CLEANER**

(71) Applicant: **Dyson Technology Limited**, Wiltshire (GB)

(72) Inventors: **Joanne Katy Mitchell**, Swindon (GB); **Paul Dawson**, Scunthorpe (GB); **James Dyson**, Bristol (GB); **Peter David Gammack**, Swindon (GB)

(73) Assignee: **Dyson Technology Limited**, Malmesbury, Wiltshire (GB)

(**) Term: **14 Years**

(21) Appl. No.: **29/519,112**

(22) Filed: **Mar. 2, 2015**

(30) **Foreign Application Priority Data**

Aug. 28, 2014 (EM) 001419949-0006

(51) **LOC (10) Cl.** **15-05**

(52) **U.S. Cl.**
USPC **D32/31**

(58) **Field of Classification Search**
USPC D32/18, 21-24, 31
CPC A47L 9/16; A47L 9/20; A47L 9/1683;
A47L 9/1666; A47L 9/1608; A47L 9/2857;
A47L 9/2842; A47L 9/2836; A47L 9/2847;
A47L 9/2852; A47L 5/28; A47L 7/0038;
G06N 3/008; E04H 4/1654
See application file for complete search history.

(56) **References Cited**

U.S. PATENT DOCUMENTS

6,228,151 B1 * 5/2001 Conrad A47L 9/1683
55/424
D710,558 S * 8/2014 Mitchell D32/21
D710,559 S * 8/2014 Mitchell D32/21

D718,911 S * 12/2014 Vanderstegen-Drake D32/21
D753,356 S * 4/2016 Vanderstegen-Drake D32/21
2013/0305483 A1 * 11/2013 Dyson A47L 9/122
15/353
2013/0305484 A1 * 11/2013 Dyson A47L 9/009
15/353
2016/0000282 A1 * 1/2016 Vanderstegen-Drake A47L 9/009
280/6.157
2016/0058259 A1 * 3/2016 Mitchell A47L 9/1633
15/353
2016/0058261 A1 * 3/2016 Dyson A47L 7/00
96/423

* cited by examiner

Primary Examiner — Ruth McInroy

(74) *Attorney, Agent, or Firm* — Morrison & Foerster LLP

(57) **CLAIM**

We claim the ornamental design for a vacuum cleaner, as shown and described.

DESCRIPTION

FIG. 1 is a perspective view of a vacuum cleaner showing our new design;

FIG. 2 is a front view thereof;

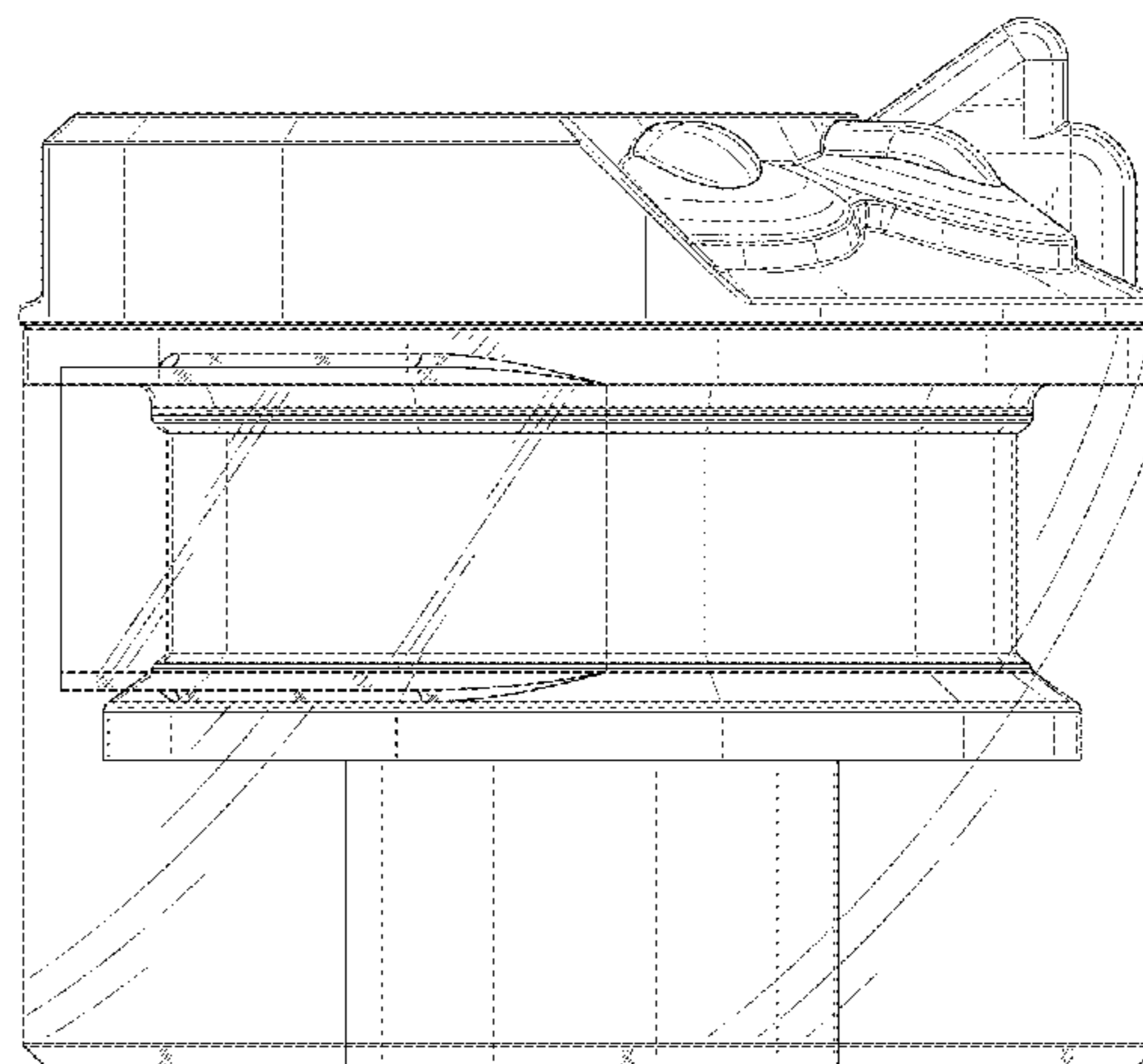
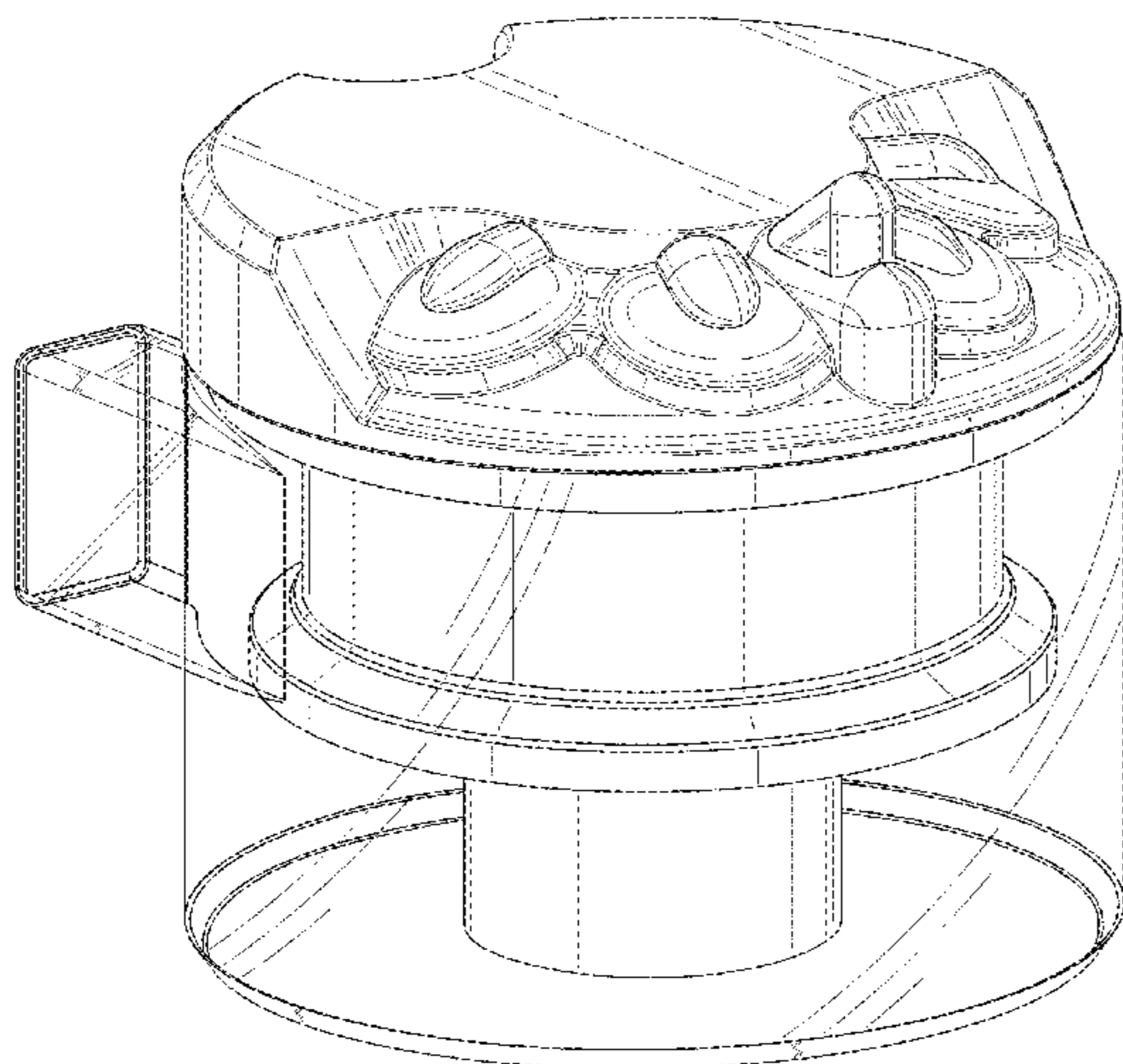
FIG. 3 is a rear view thereof;

FIG. 4 is a side view thereof;

FIG. 5 is a side view of the opposite side of FIG. 4; and,

FIG. 6 is a top view thereof.

1 Claim, 6 Drawing Sheets



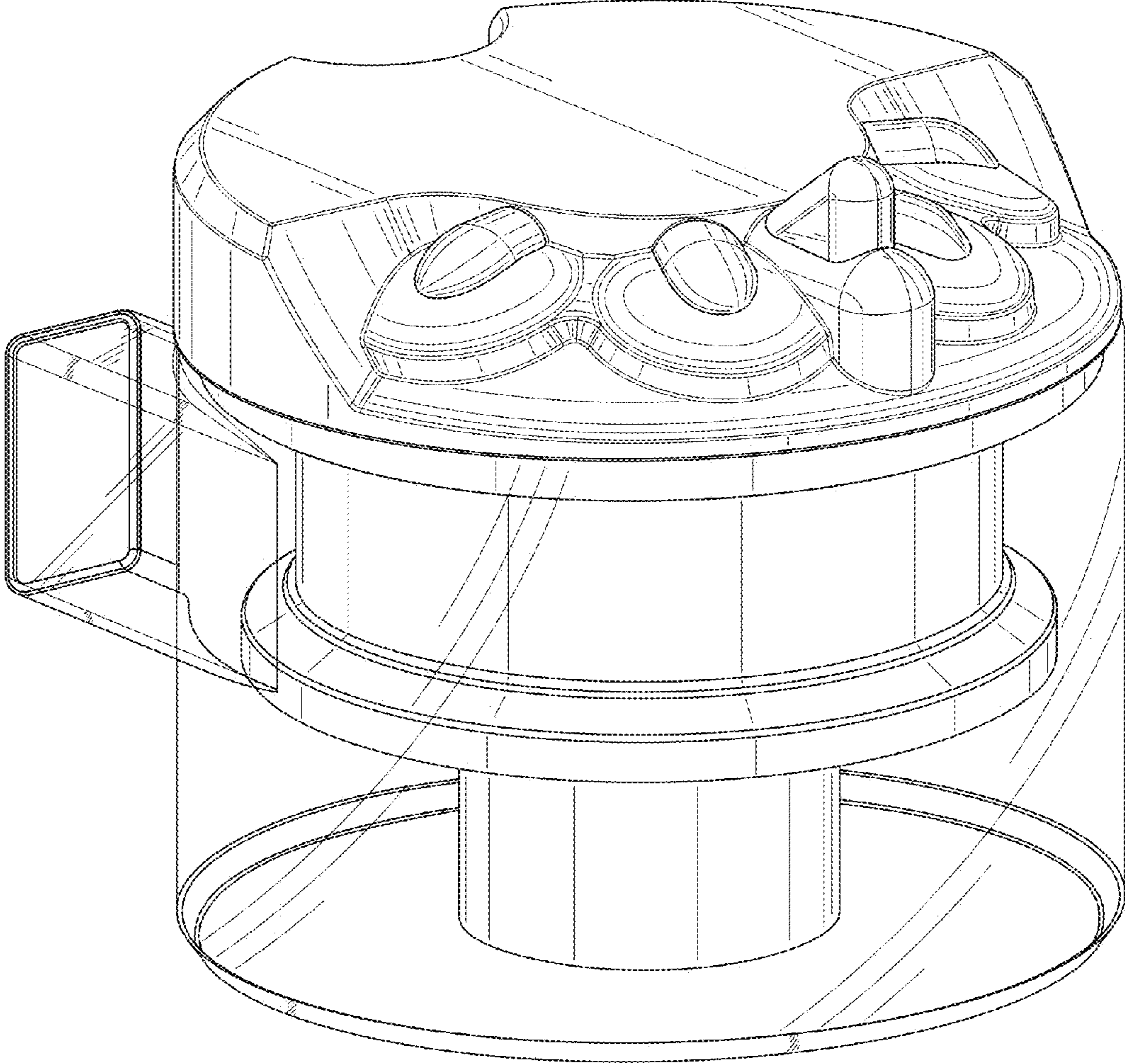


FIG. 1

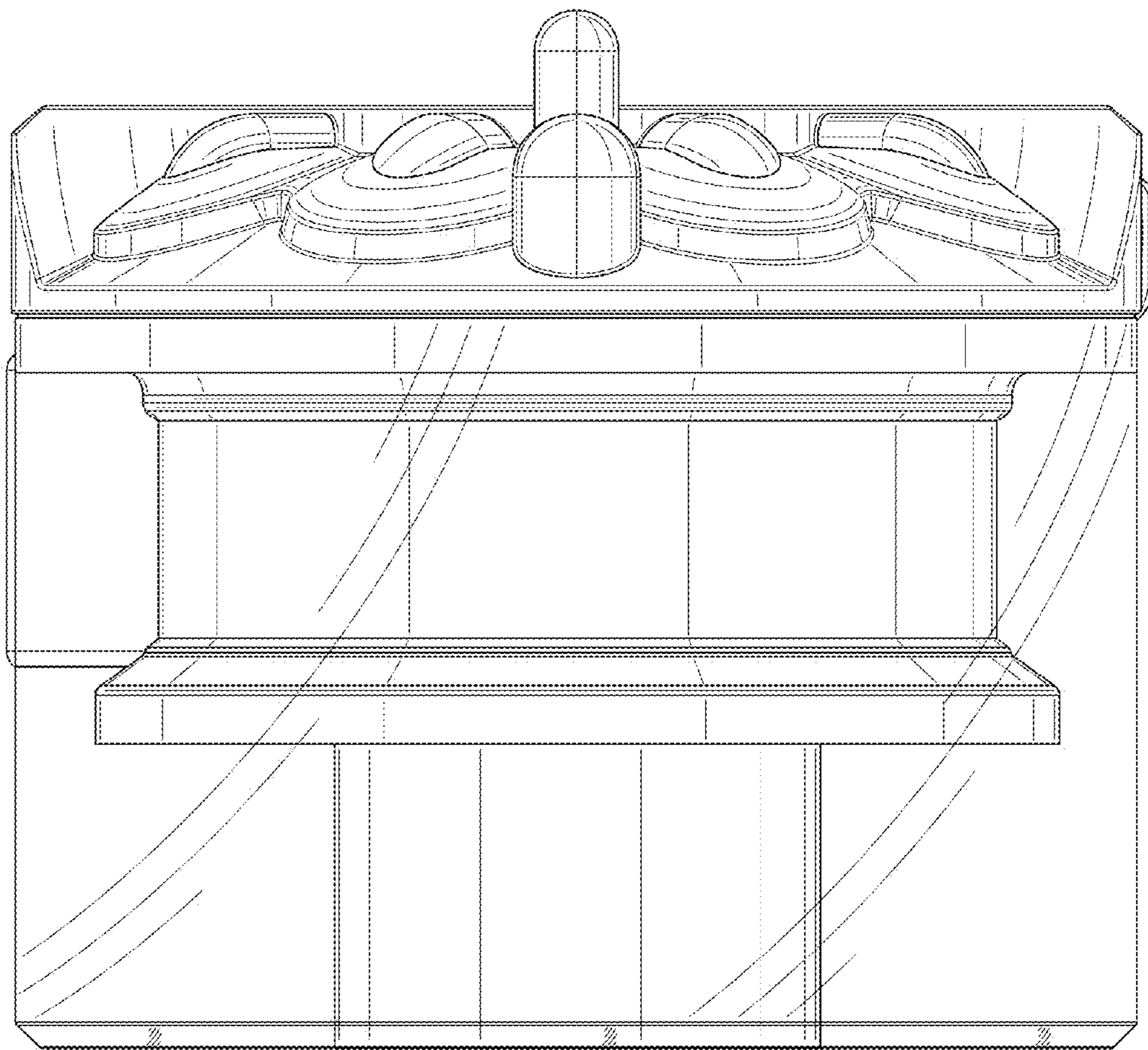


FIG. 2

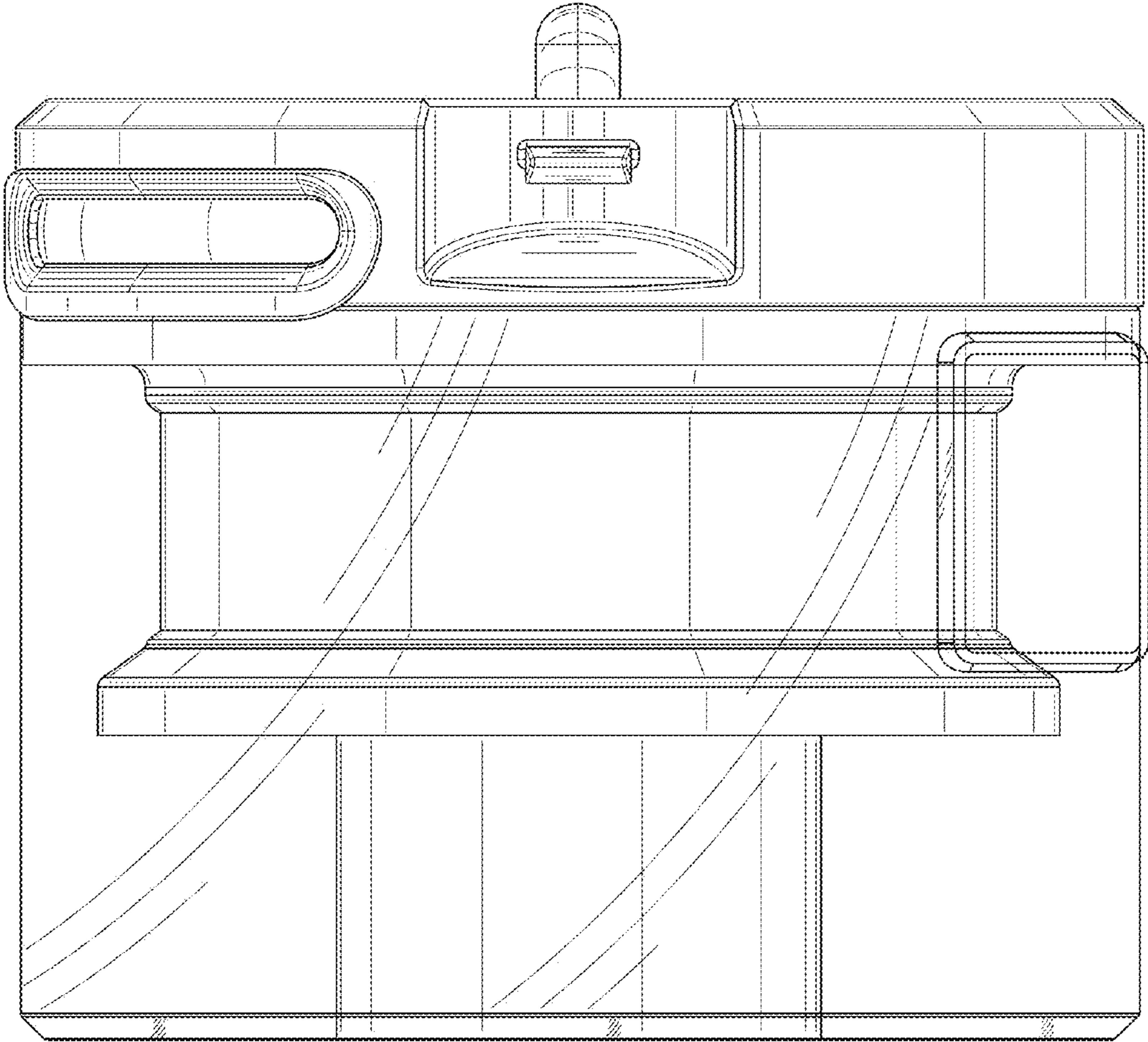


FIG. 3

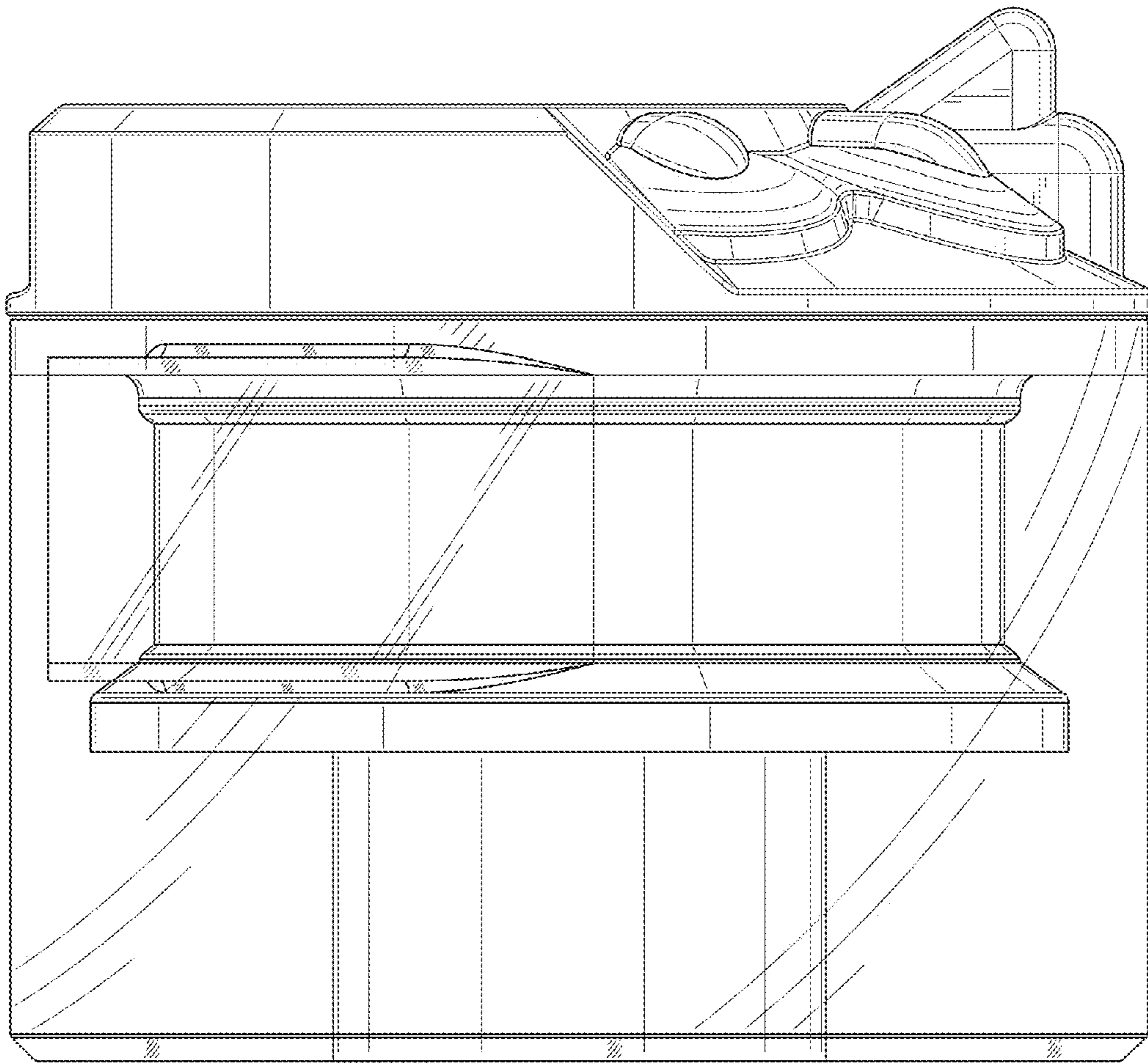


FIG. 4

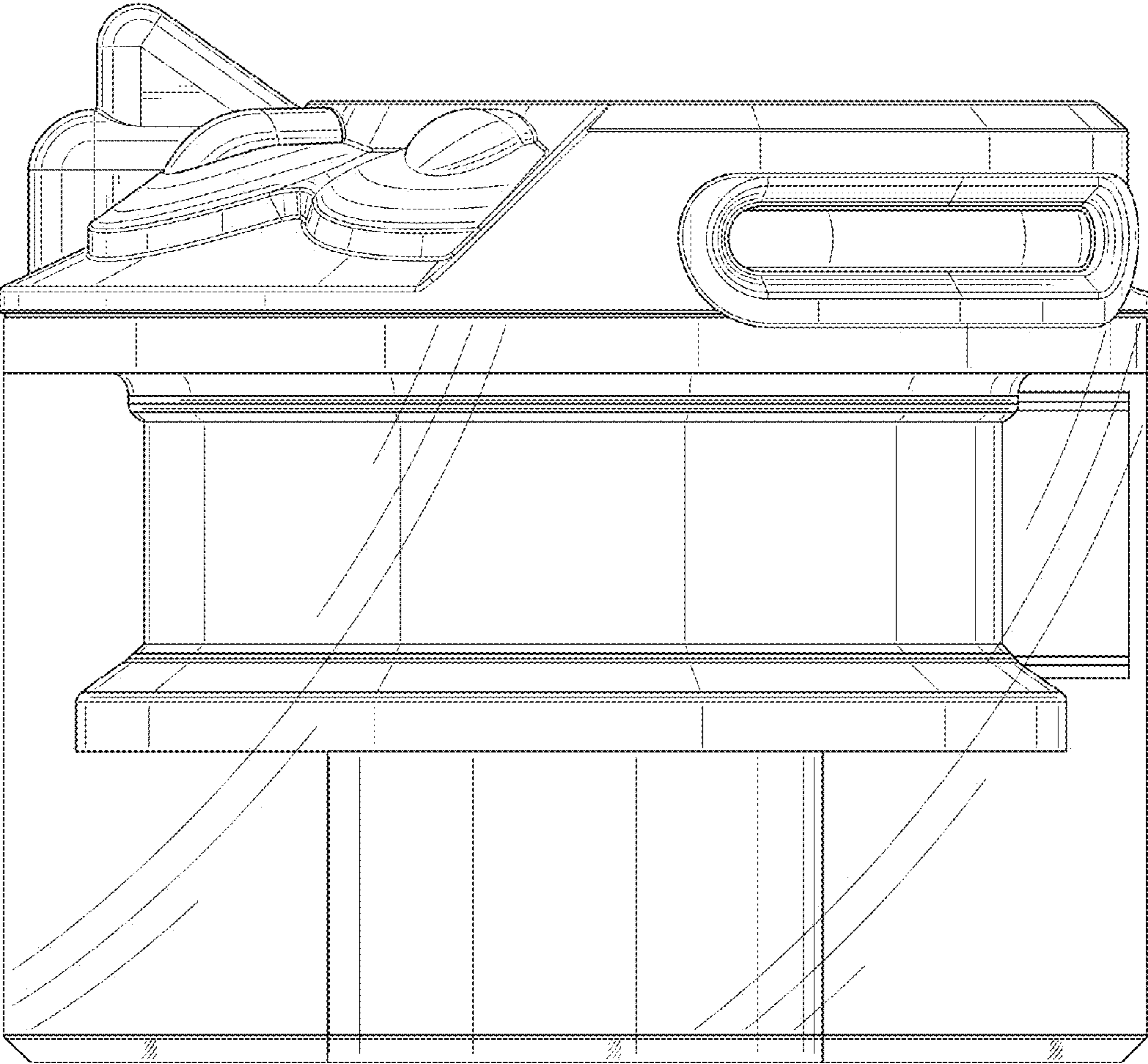


FIG. 5

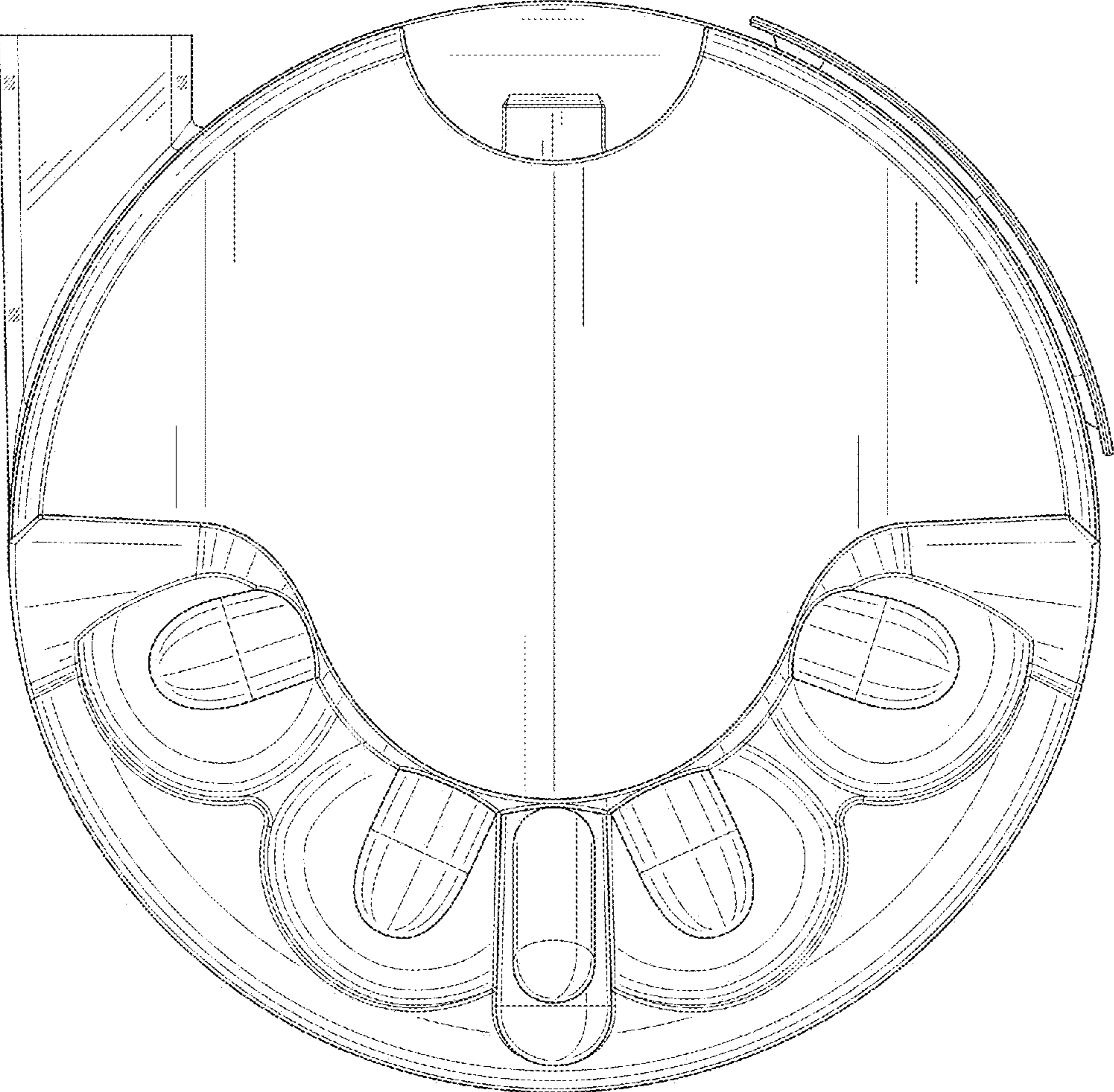


FIG. 6