



US00D767837S

(12) **United States Design Patent**
Chee

(10) **Patent No.:** **US D767,837 S**

(45) **Date of Patent:** **** Sep. 27, 2016**

(54) **WASHING MACHINE**

(71) Applicant: **LG ELECTRONICS INC.**, Seoul (KR)

(72) Inventor: **Eunyoung Chee**, Seoul (KR)

(73) Assignee: **LG ELECTRONICS INC.**, Seoul (KR)

(**) Term: **15 Years**

(21) Appl. No.: **29/538,523**

(22) Filed: **Sep. 4, 2015**

(30) **Foreign Application Priority Data**

Mar. 4, 2015 (KR) 30-2015-0011093

(51) **LOC (10) Cl.** **15-05**

(52) **U.S. Cl.**
USPC **D32/25**

(58) **Field of Classification Search**
USPC D32/1-6, 8, 10, 25, 28; 312/228, 228.1, 312/236, 294, 326; 68/3 R, 5 R, 235 R, 196, 68/212; 34/108, 130-132, 595-597; 8/137
CPC D06F 39/022; D06F 39/028; D06F 39/14; D06F 37/28; D06F 33/02; D06F 58/00; D06F 58/02

See application file for complete search history.

(56) **References Cited**

U.S. PATENT DOCUMENTS

- D466,725 S * 12/2002 Masciale D32/25
- D549,408 S * 8/2007 Lee D32/25
- D569,065 S * 5/2008 Ritterling D32/25
- D595,464 S * 6/2009 Nam D32/25
- D617,512 S * 6/2010 DeSalvo D32/25
- D617,965 S * 6/2010 Grutzke D32/25
- D620,211 S * 7/2010 Shail D32/25
- 7,874,185 B2 * 1/2011 Graute D06F 39/12 68/235 R
- D633,670 S * 3/2011 Grutzke D32/25
- D645,623 S * 9/2011 Helot D32/25
- D701,657 S * 3/2014 Chung D32/6

- D701,658 S * 3/2014 Chung D32/6
- D704,909 S * 5/2014 Jeon D32/25
- 8,950,831 B2 * 2/2015 Kim D06F 29/00 312/228
- D739,097 S * 9/2015 Qin D32/6
- D739,098 S * 9/2015 Qin D32/6
- 2005/0241344 A1 * 11/2005 Graute D06F 95/002 68/3 R
- 2009/0126123 A1 * 5/2009 Kim D06F 33/02 8/137
- 2011/0099835 A1 * 5/2011 Kim D06F 39/125 34/132
- 2013/0047677 A1 * 2/2013 Han D06F 39/14 68/27
- 2013/0047680 A1 * 2/2013 Han D06F 39/14 68/5 C
- 2015/0354125 A1 * 12/2015 Han D06F 39/14 68/17 R

* cited by examiner

Primary Examiner — Rosemary K Tarcza

Assistant Examiner — Yolanda Robinson

(74) *Attorney, Agent, or Firm* — Ked & Associates, LLP

(57) **CLAIM**

I claim the ornamental design for a washing machine, as shown and described.

DESCRIPTION

FIG. 1 is a perspective view of a washing machine showing my new design with its detergent dispenser fully pulled out; FIG. 2 is a front elevation view thereof; FIG. 3 is a rear elevation view thereof; FIG. 4 is a left-side elevation view thereof; FIG. 5 is a right-side elevation view thereof; FIG. 6 is a top plan view thereof; FIG. 7 is a bottom plan view thereof; FIG. 8 is a perspective view thereof with its detergent dispenser closed fully pushed in; FIG. 9 is a front elevation view thereof; FIG. 10 is a left-side elevation view thereof; and, FIG. 11 is a top plan view thereof.

The broken lines in the drawing figures are included for the purpose of illustrating environment and form no part of the claimed design.

1 Claim, 8 Drawing Sheets

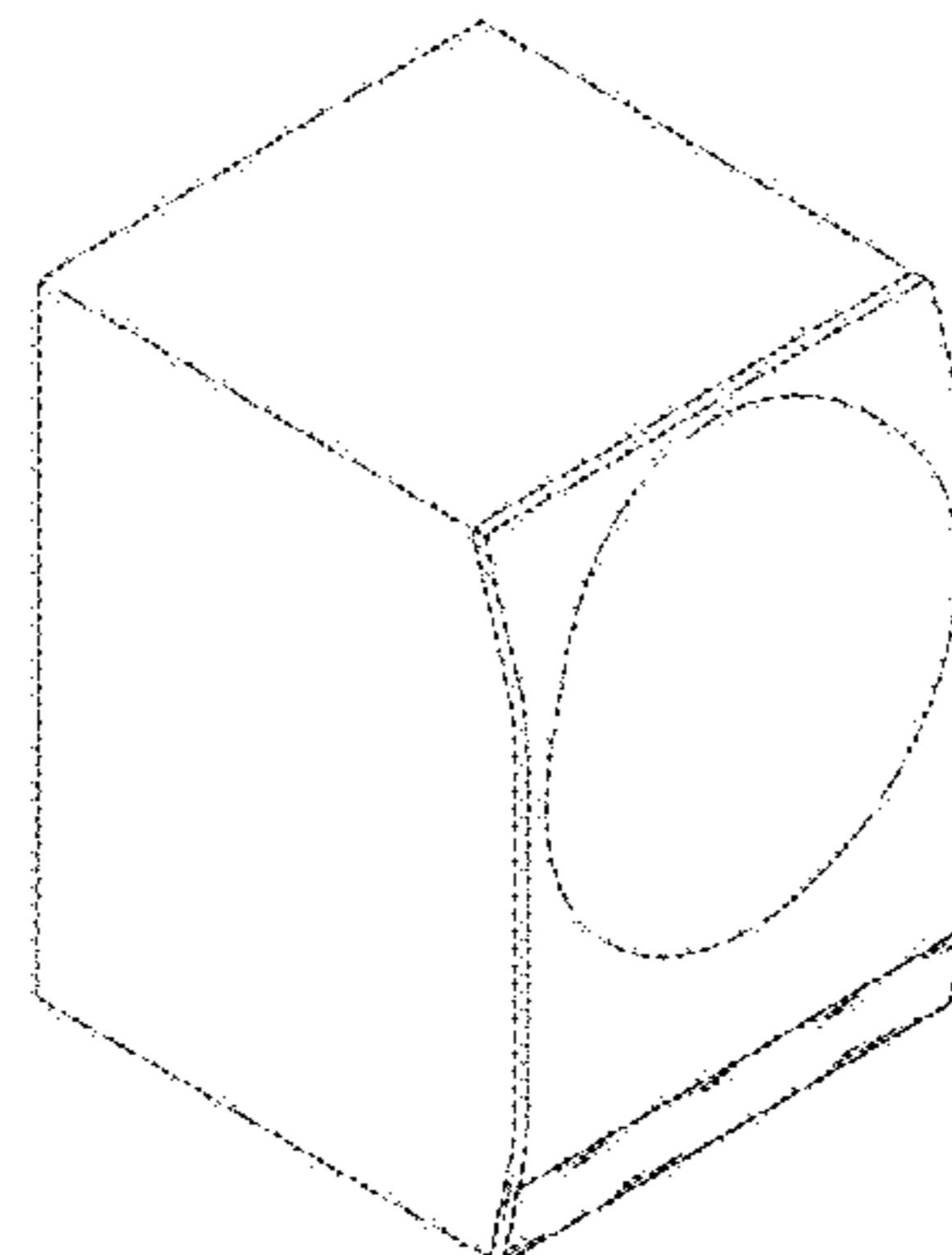
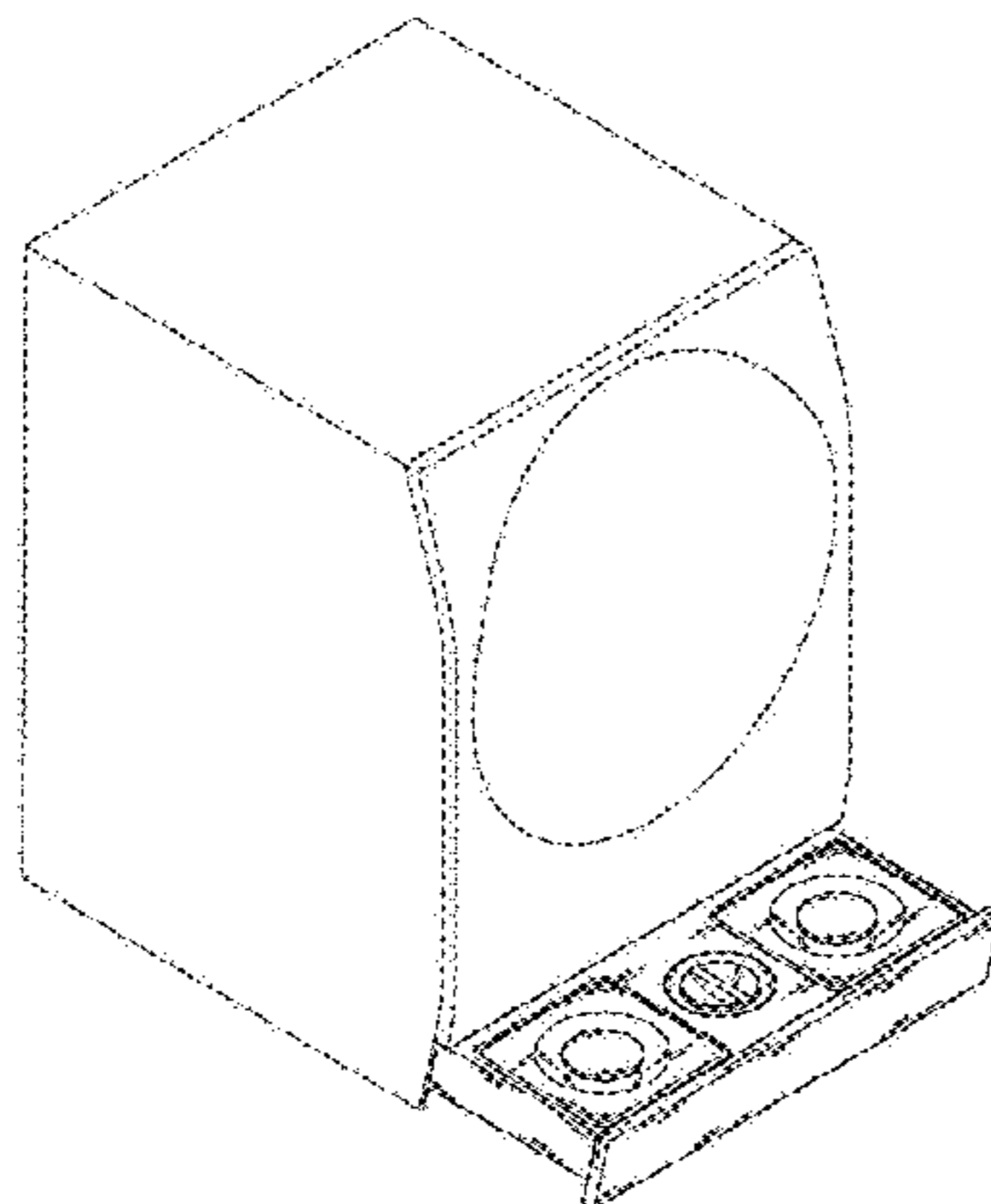


FIG. 1

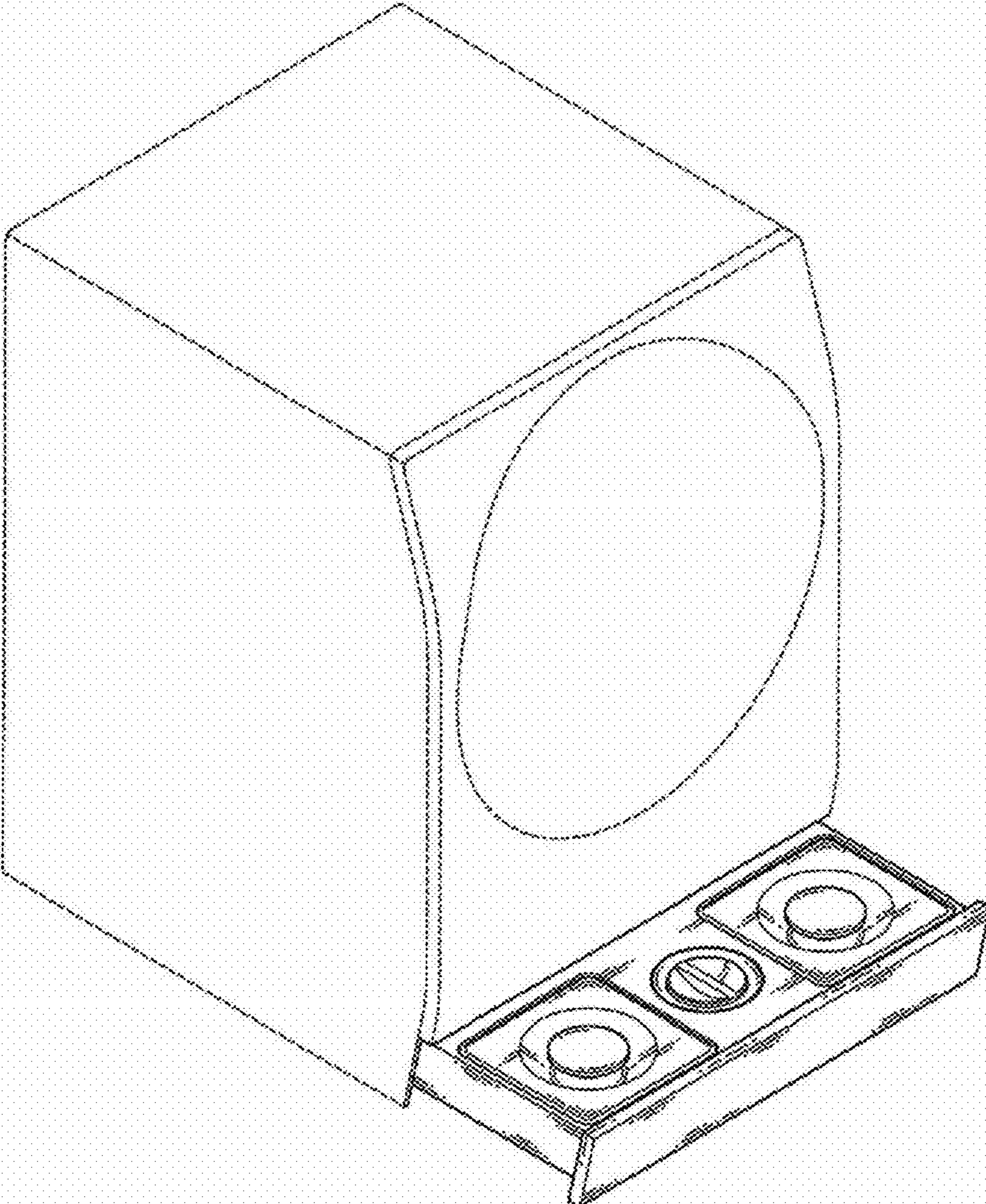


FIG.2

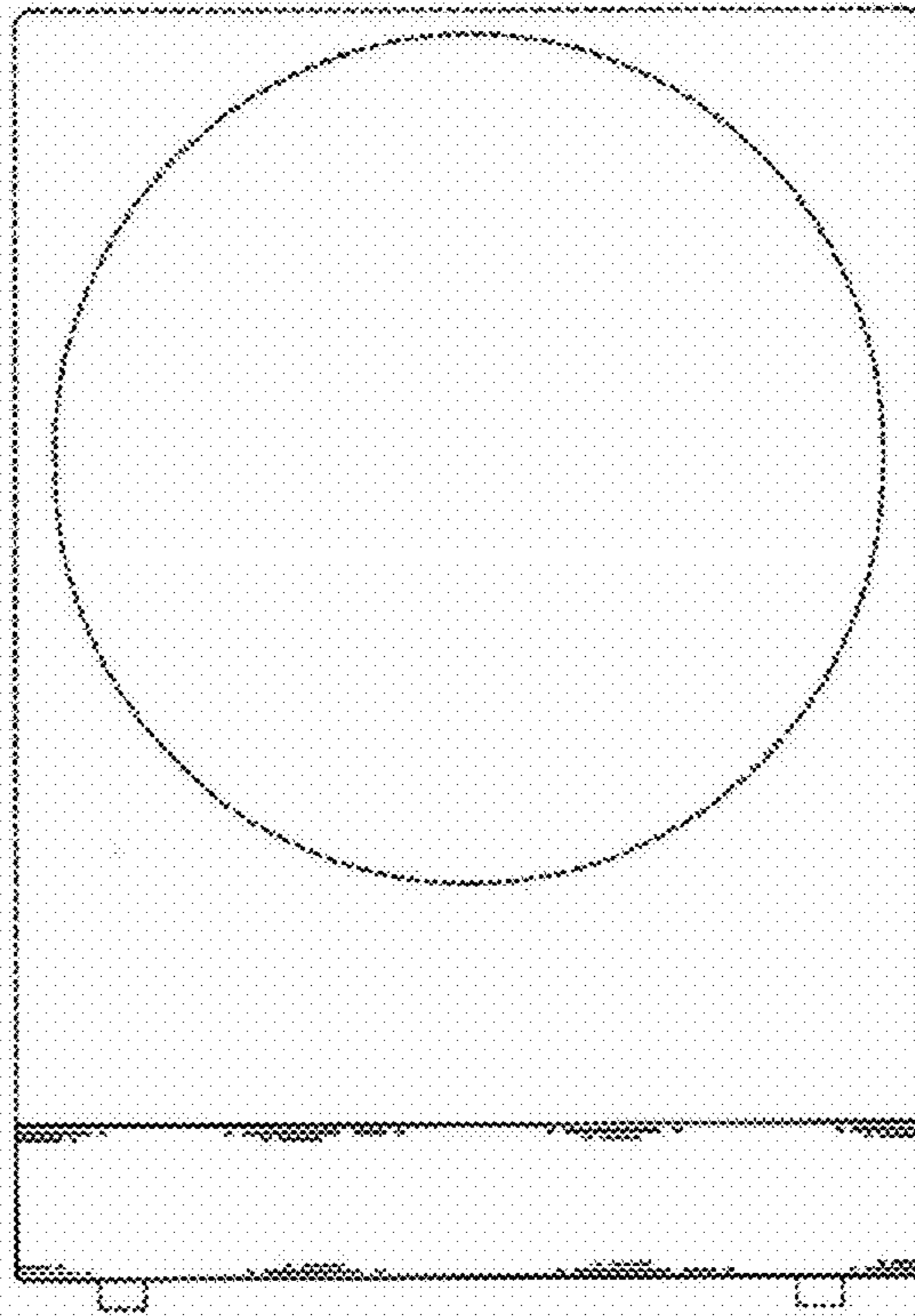


FIG.3

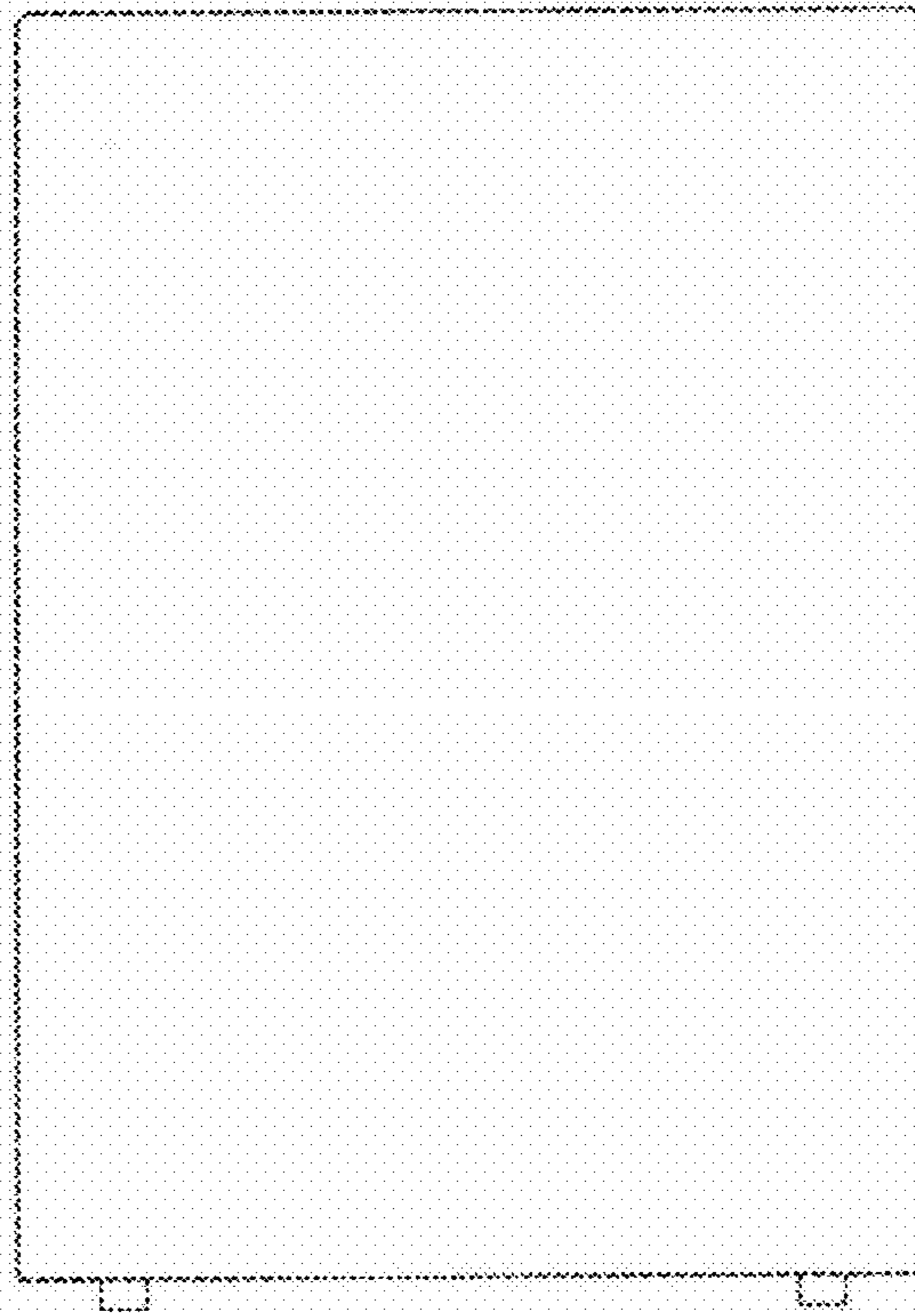


FIG. 4

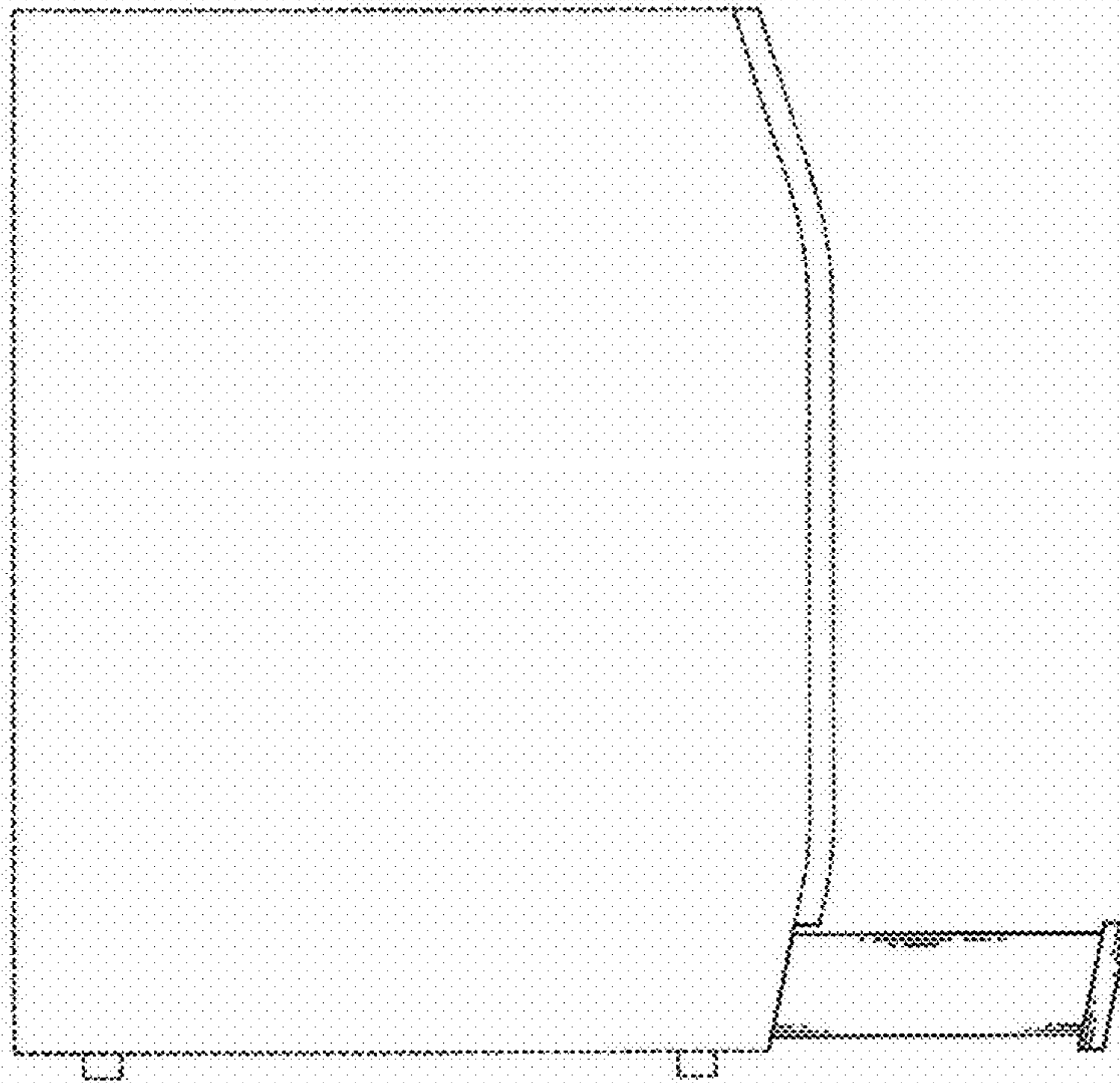


FIG. 5

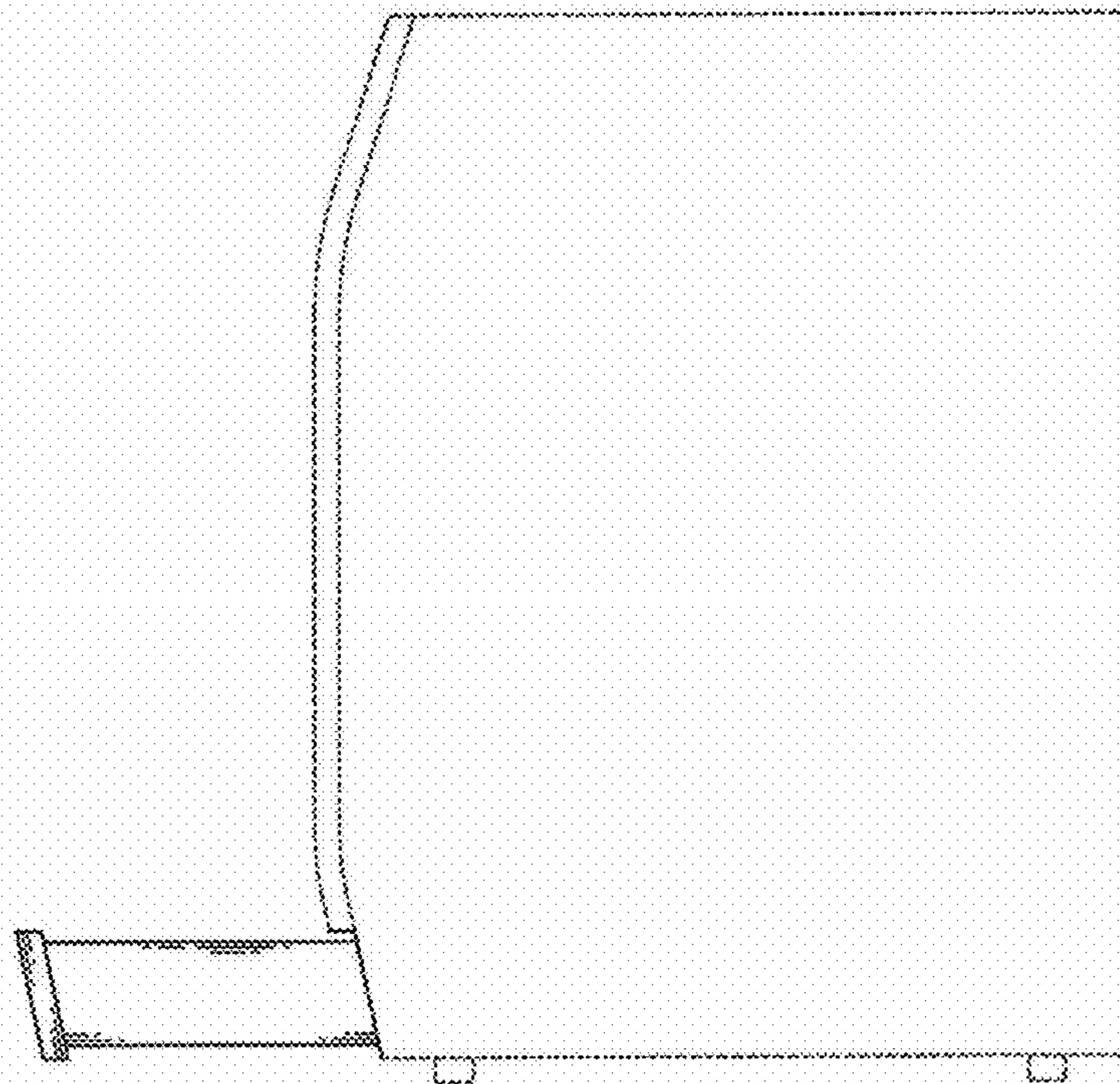


FIG. 6

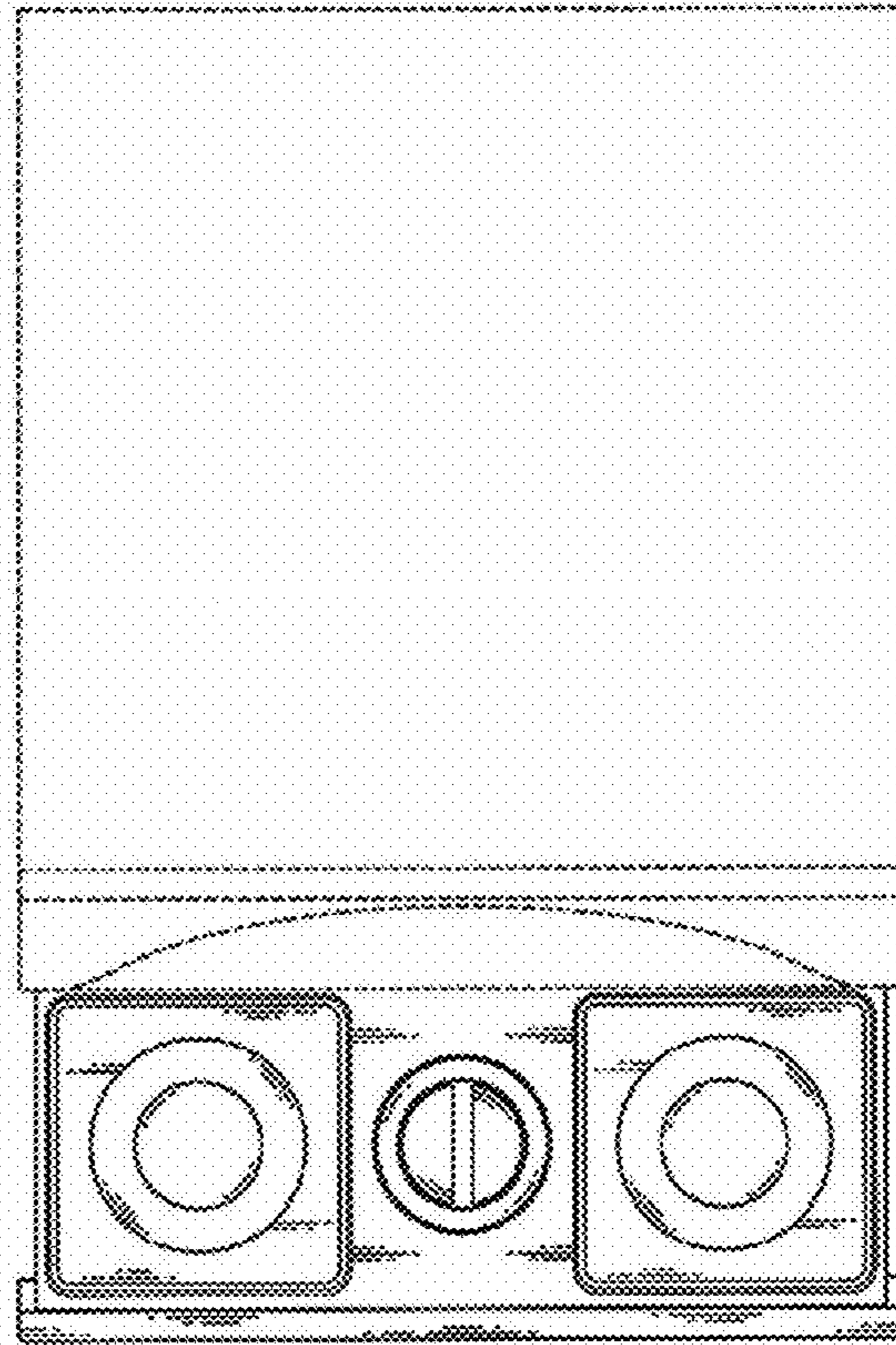


FIG. 7

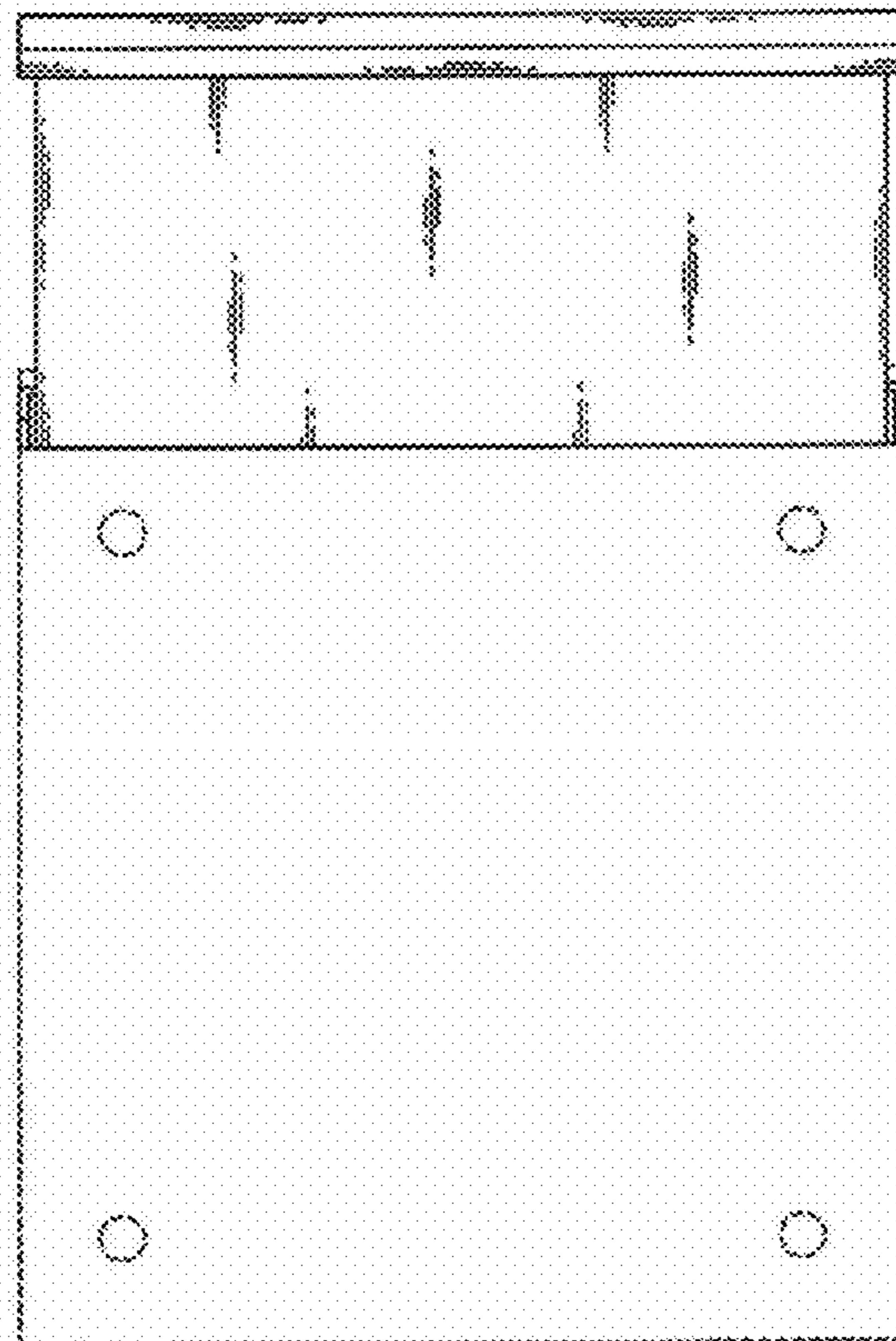


FIG. 8

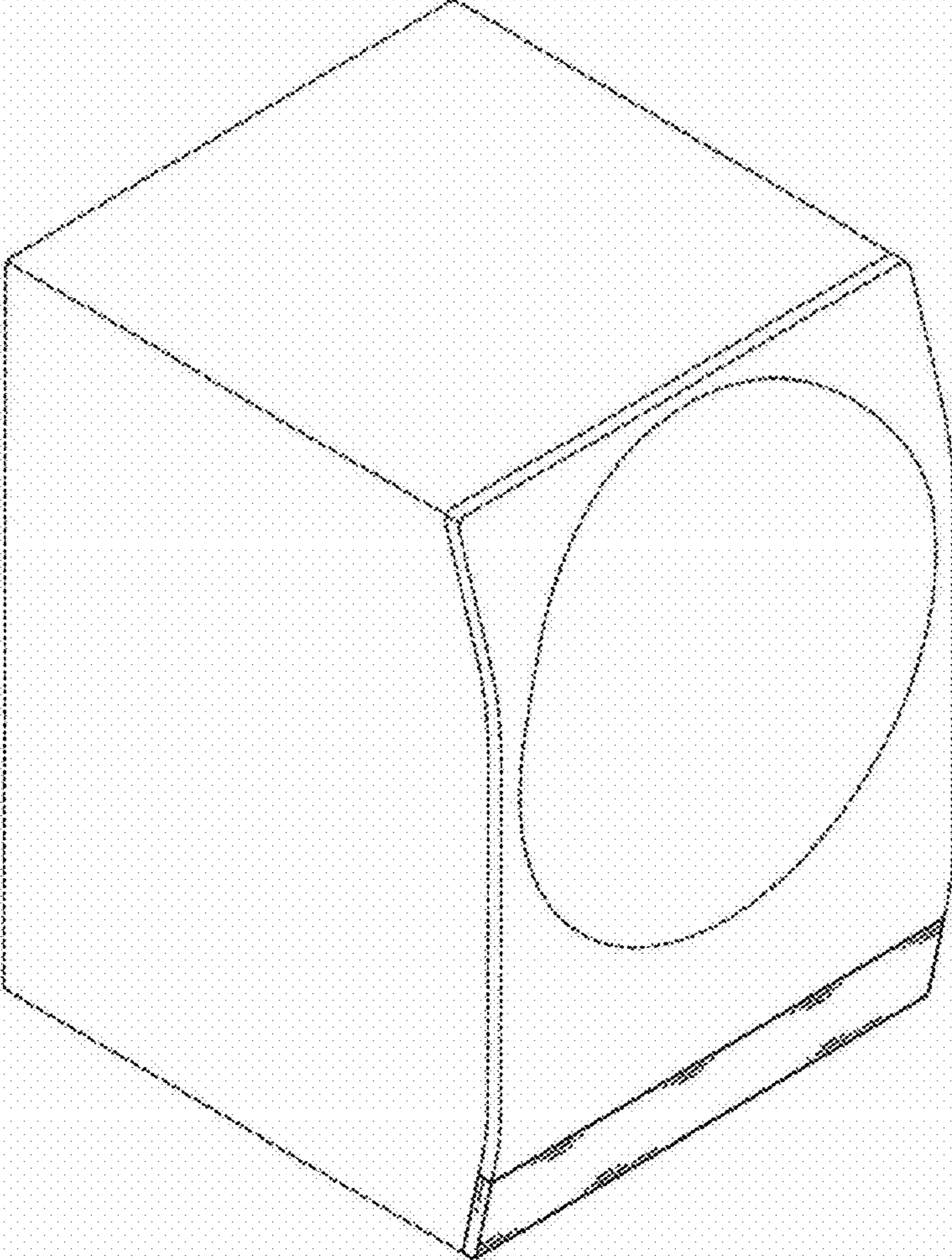


FIG. 9

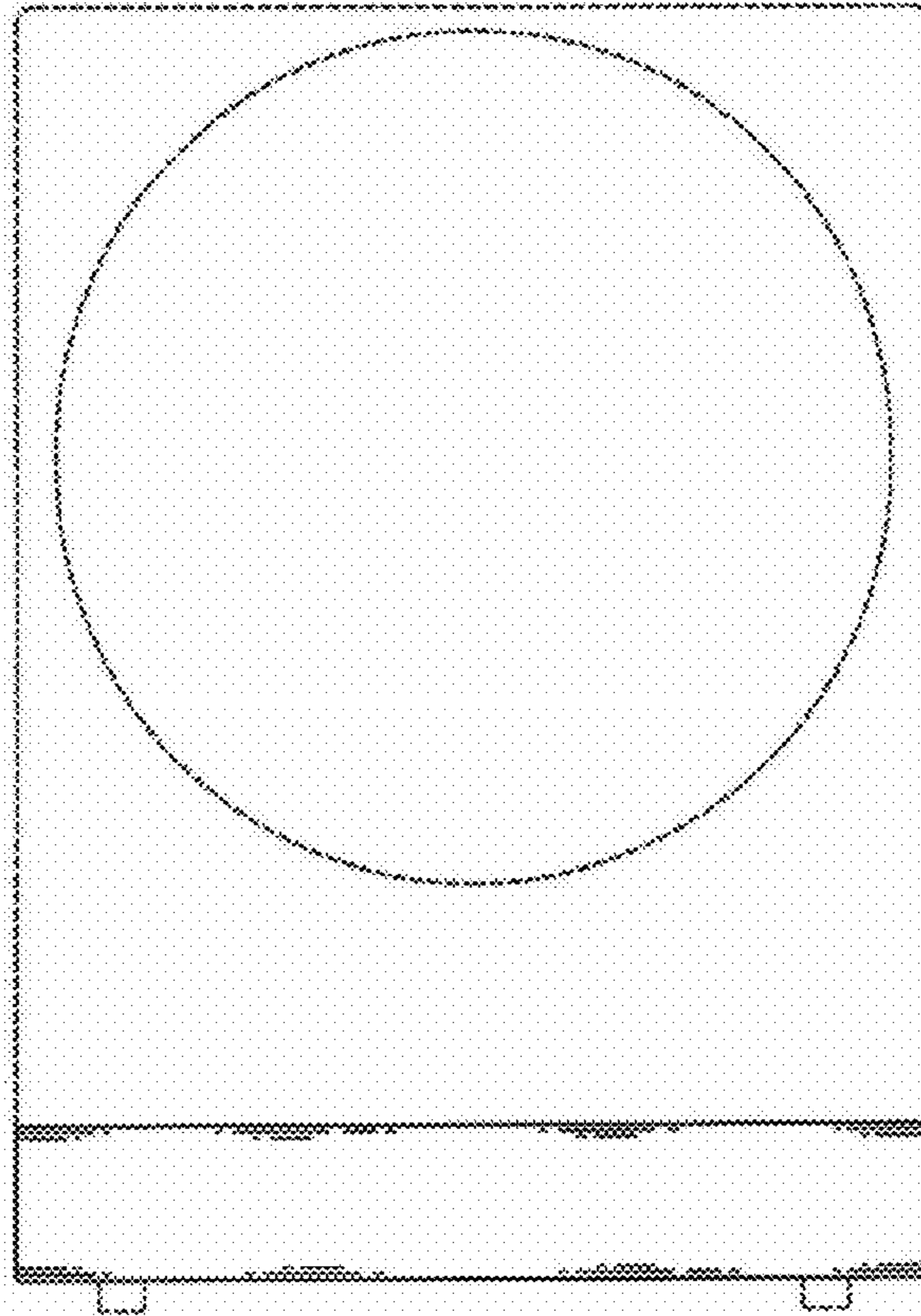


FIG. 10

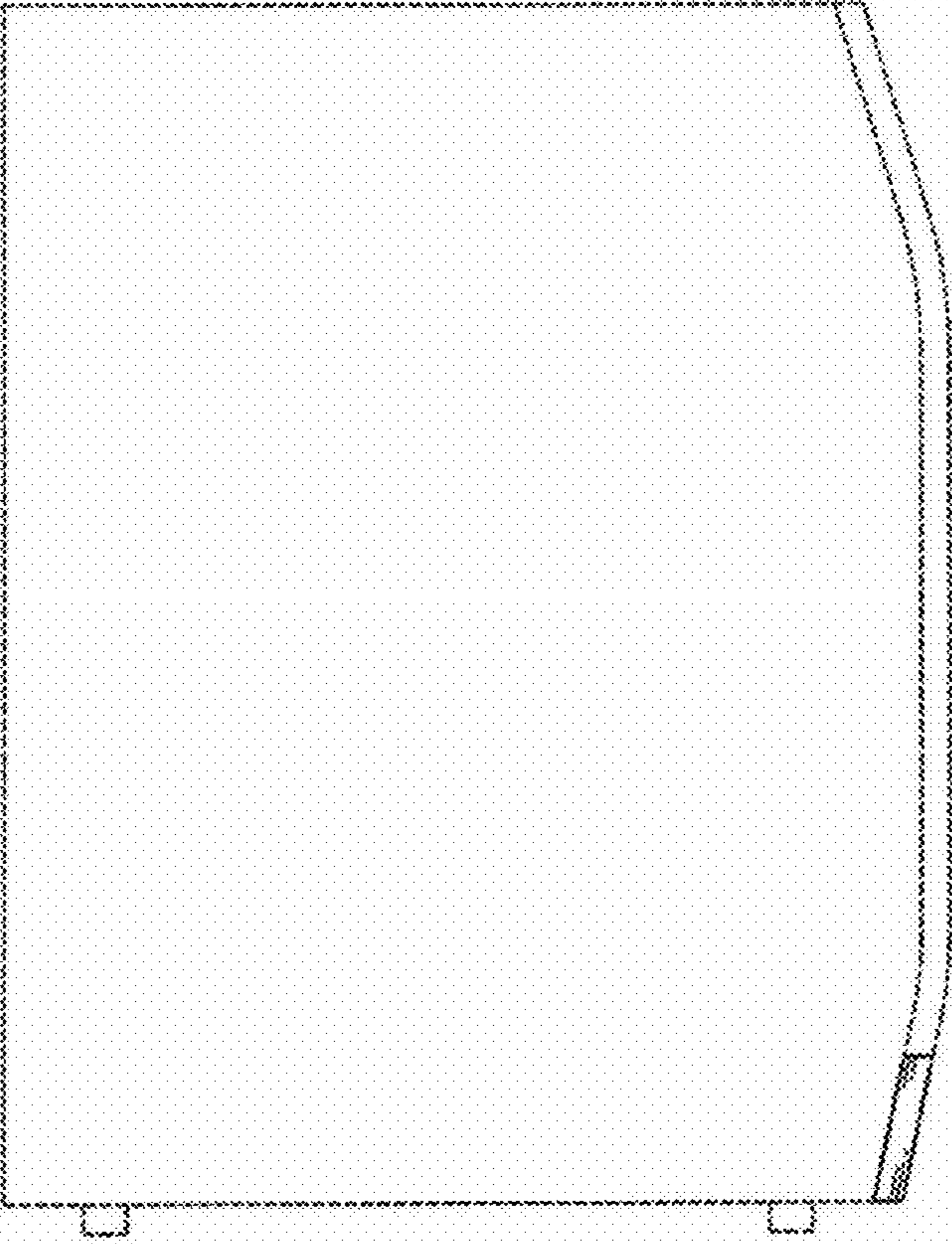


FIG. 11

