

US00D767836S

(12) **United States Design Patent**
Ha et al.

(10) **Patent No.: US D767,836 S**

(45) **Date of Patent: ** Sep. 27, 2016**

(54) **WASHING MACHINE**

(71) Applicant: **LG ELECTRONICS INC.**, Seoul (KR)

(72) Inventors: **Youngsoo Ha**, Seoul (KR); **Taewoo Yoo**, Seoul (KR); **Jonghee Han**, Seoul (KR); **Eunyoung Chee**, Seoul (KR); **Seungho Oh**, Seoul (KR); **Jeaseok Seong**, Seoul (KR)

(73) Assignee: **LG ELECTRONICS INC.**, Seoul (KR)

(**) Term: **15 Years**

(21) Appl. No.: **29/537,718**

(22) Filed: **Aug. 28, 2015**

(30) **Foreign Application Priority Data**

Mar. 4, 2015 (KR) 30-2015-0011084

(51) **LOC (10) Cl.** **15-05**

(52) **U.S. Cl.**
USPC **D32/25**

(58) **Field of Classification Search**

USPC D32/1-6, 8, 10, 25, 28; 312/228, 228.1, 312/236, 294, 326; 68/3 R, 5 R, 235 R, 196, 68/212; 34/108, 130-132, 595-597; 8/137
CPC D06F 39/022; D06F 39/028; D06F 39/14; D06F 37/28; D06F 33/02; D06F 58/00; D06F 58/02

See application file for complete search history.

(56) **References Cited**

U.S. PATENT DOCUMENTS

- D557,467 S * 12/2007 Kwon D32/6
- D694,967 S * 12/2013 Jeon D32/6
- D698,508 S * 1/2014 Cho D32/25
- D703,891 S * 4/2014 Chung D32/25
- D732,777 S * 6/2015 Ha D32/28
- 9,051,679 B2 * 6/2015 Kwon D06F 37/262
- D746,006 S * 12/2015 Ha D32/25

- 9,200,841 B2 * 12/2015 Heo D06F 58/02
- 2011/0088172 A1 * 4/2011 Im D06F 33/02
8/137
- 2014/0123514 A1 * 5/2014 Ashrafzadeh D06F 39/003
34/443
- 2014/0157526 A1 * 6/2014 Larmo D06F 39/003
8/137
- 2014/0191643 A1 * 7/2014 Lee D06F 39/14
312/326
- 2015/0020318 A1 * 1/2015 Seo D06F 23/02
8/137
- 2015/0322611 A1 * 11/2015 Ashrafzadeh D06F 39/003
8/137
- 2016/0053422 A1 * 2/2016 Im D06F 39/085
8/137
- 2016/0177492 A1 * 6/2016 Pittalis D06F 39/087
68/9
- 2016/0201248 A1 * 7/2016 Kim D06F 39/02
8/137

* cited by examiner

Primary Examiner — Rosemary K Tarcza

Assistant Examiner — Yolanda Robinson

(74) *Attorney, Agent, or Firm* — KED & Associates, LLP

(57) **CLAIM**

We claim the ornamental design for a washing machine, as shown and described.

DESCRIPTION

FIG. 1 is a perspective view of a washing machine showing our new design with its detergent dispenser fully pulled out; FIG. 2 is a front elevation view thereof; FIG. 3 is a rear elevation view thereof; FIG. 4 is a left-side elevation view thereof; FIG. 5 is a right-side elevation view thereof; FIG. 6 is a top plan view thereof; FIG. 7 is a bottom plan view thereof; FIG. 8 is a perspective view thereof with its detergent dispenser closed fully pushed in; FIG. 9 is a front elevation view thereof; FIG. 10 is a left-side elevation view thereof; and, FIG. 11 is a top plan view thereof. The broken lines in the drawing figures are included for the purpose of illustrating environment and form no part of the claimed design.

1 Claim, 10 Drawing Sheets

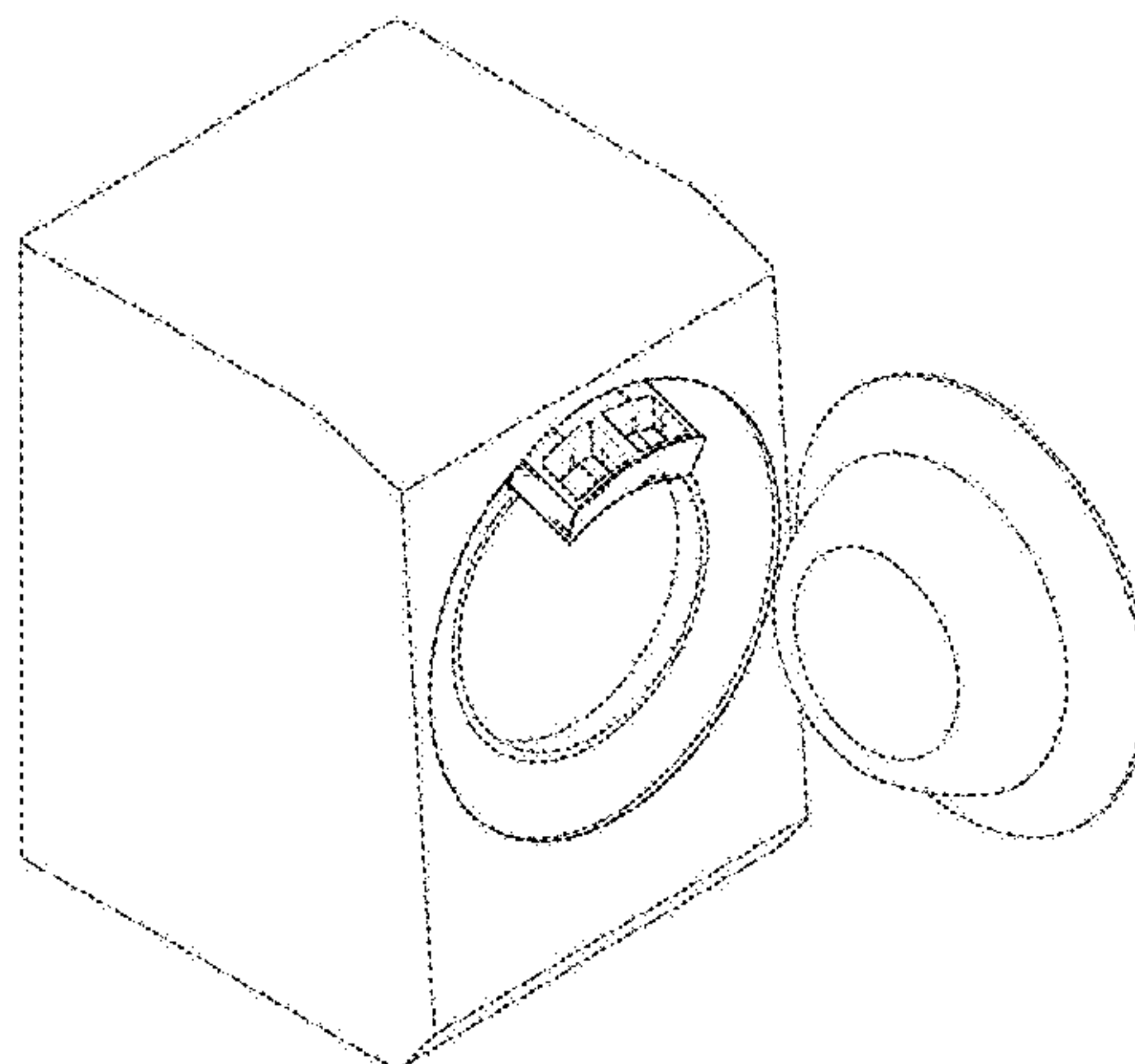


FIG. 1

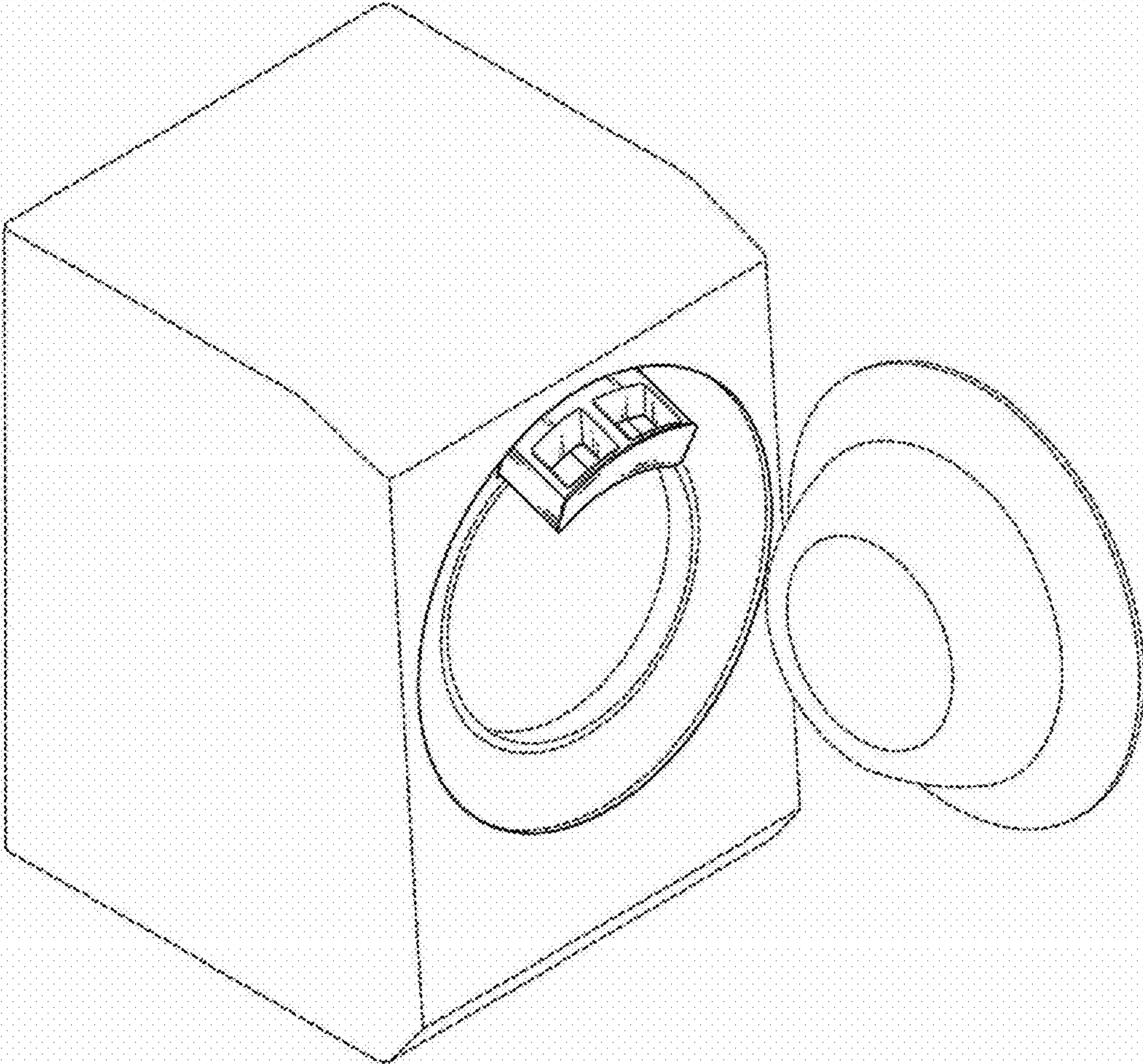


FIG. 2

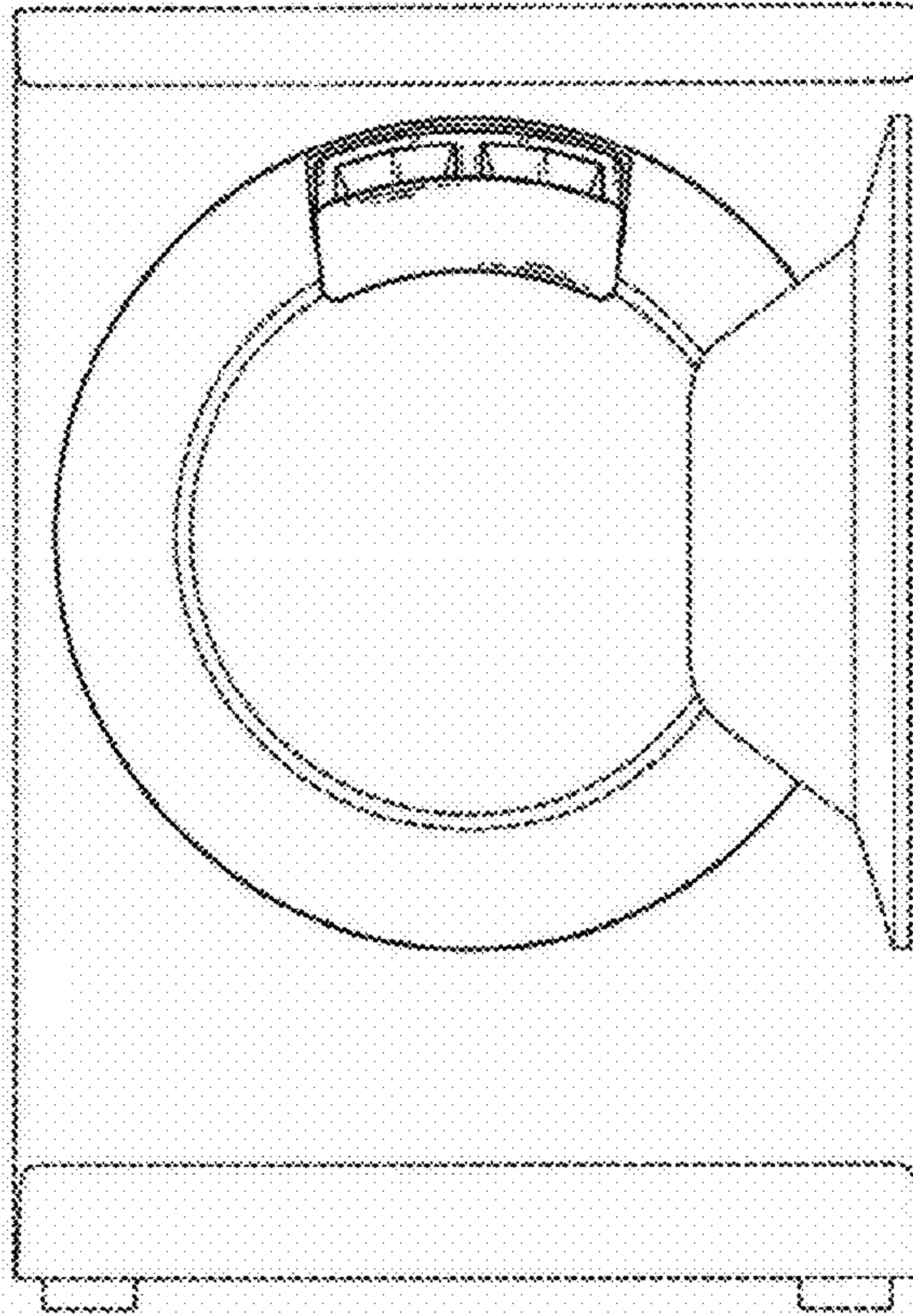


FIG. 3

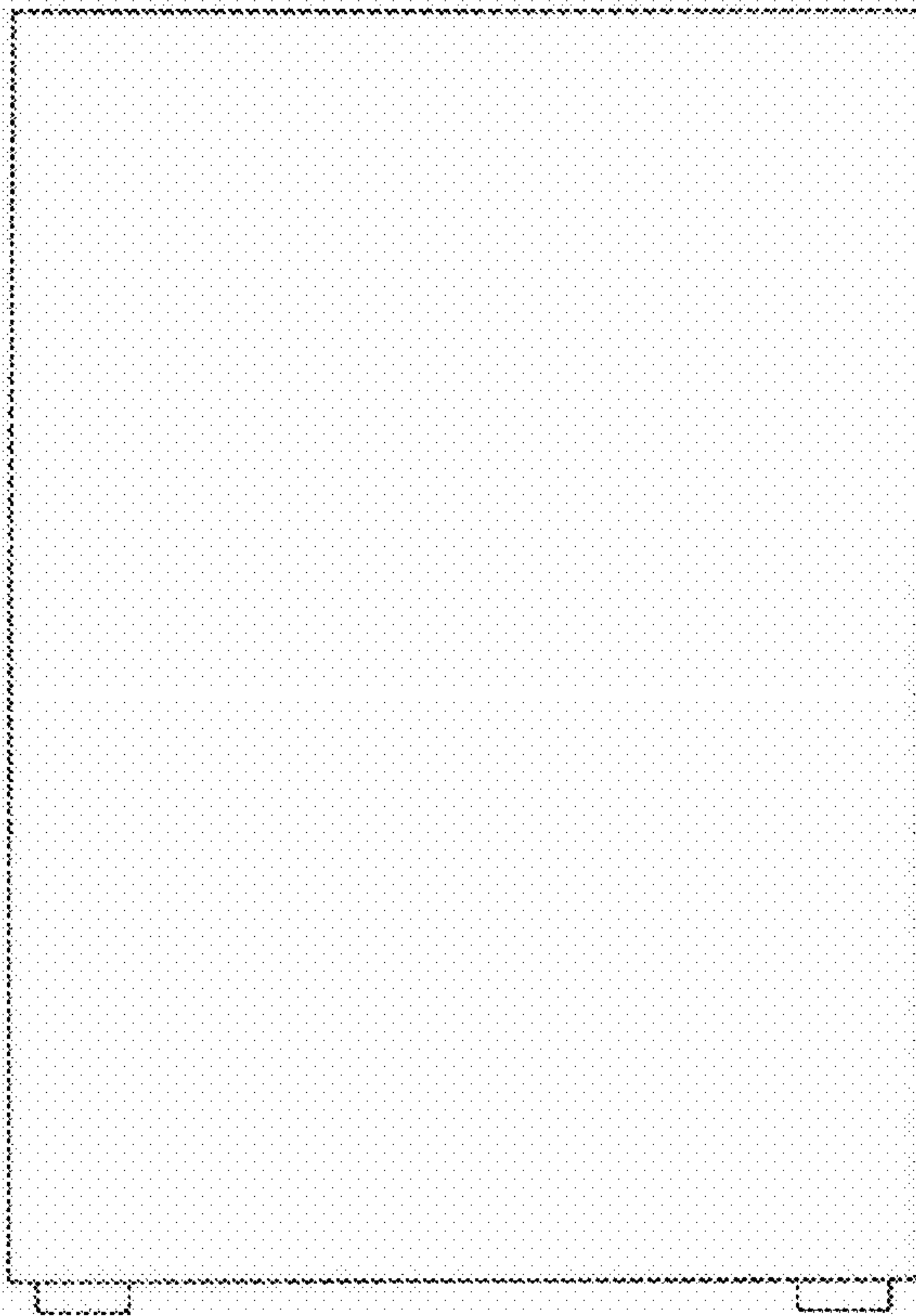


FIG. 4

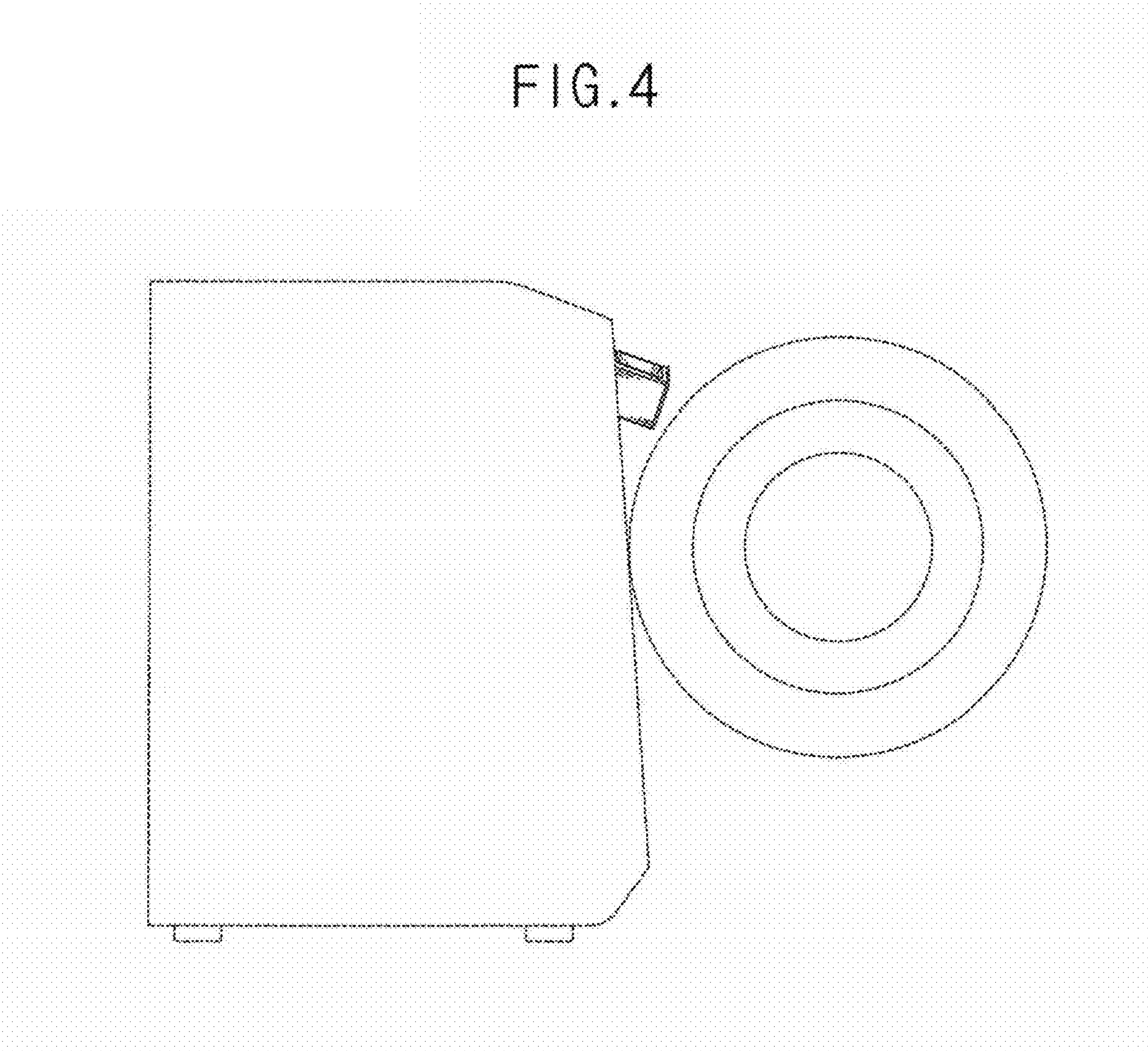


FIG. 5

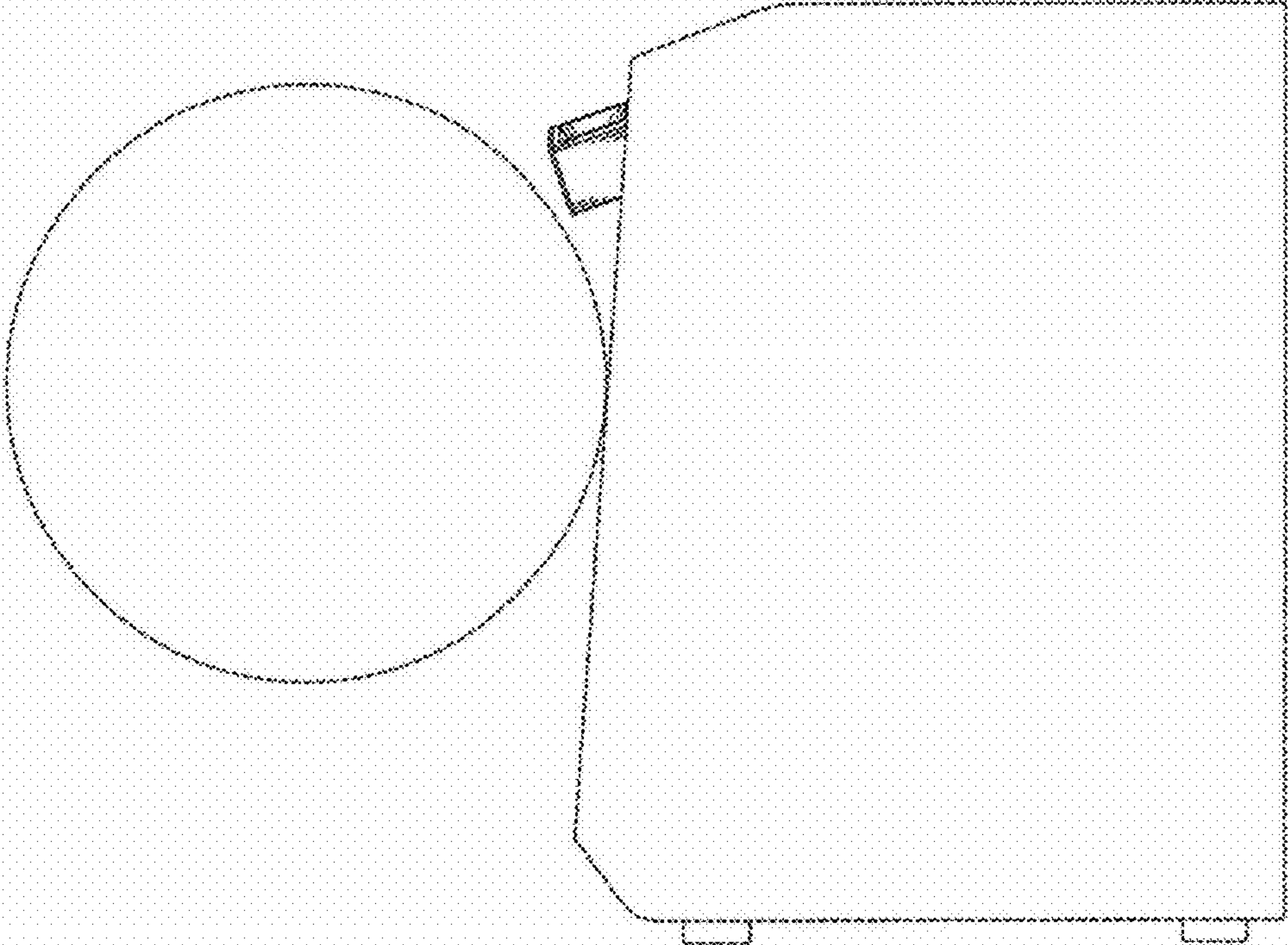


FIG. 6

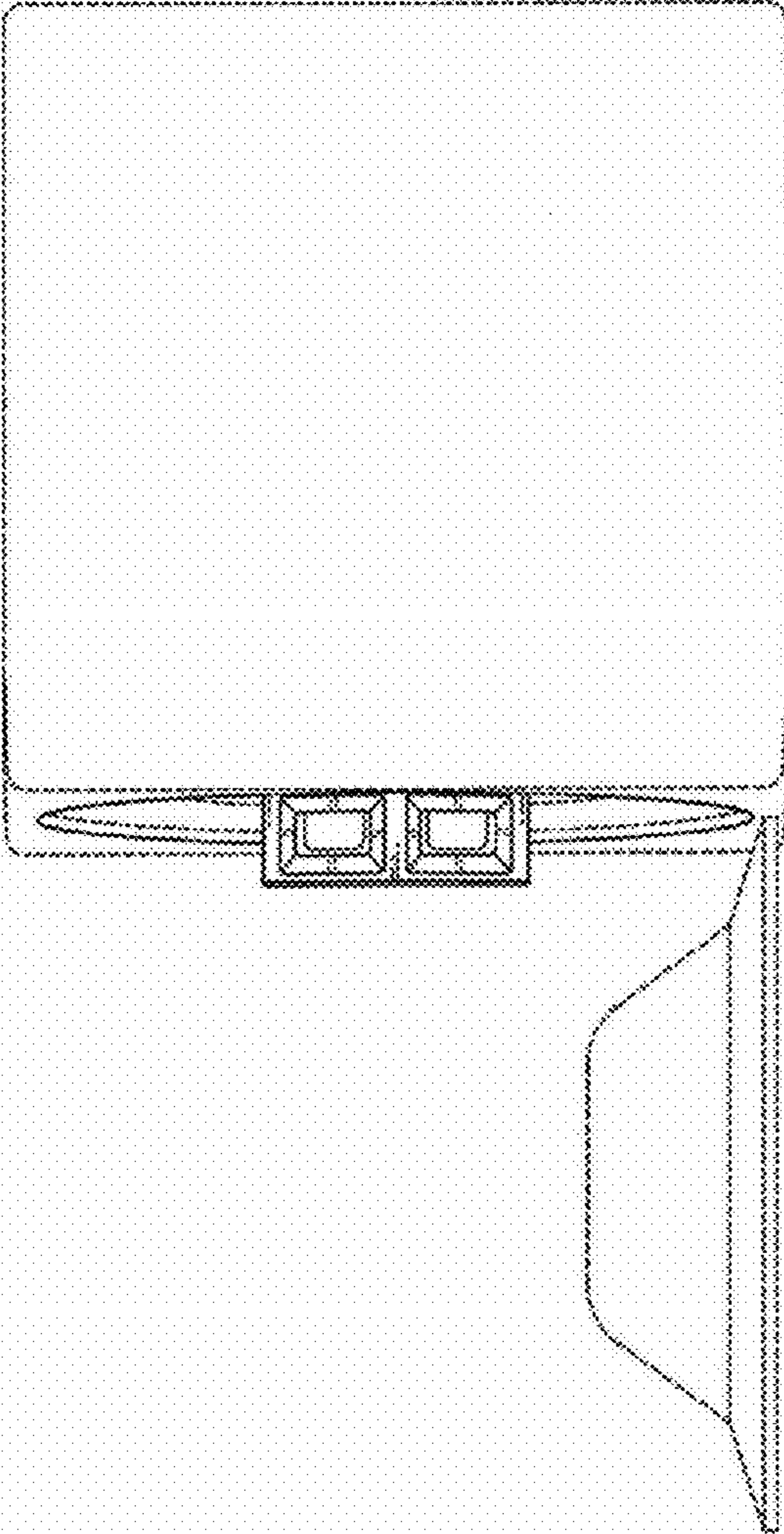


FIG. 7

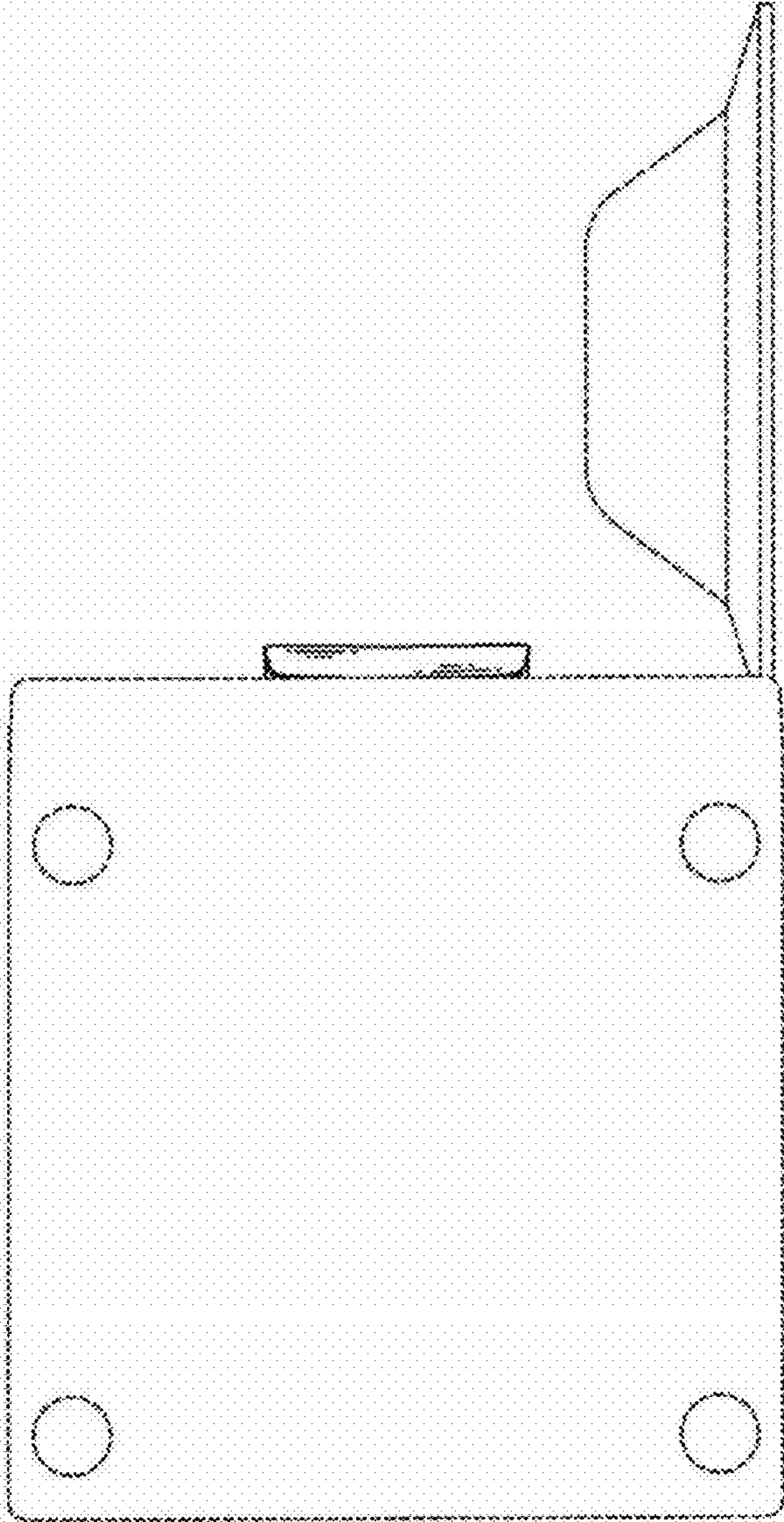


FIG. 8

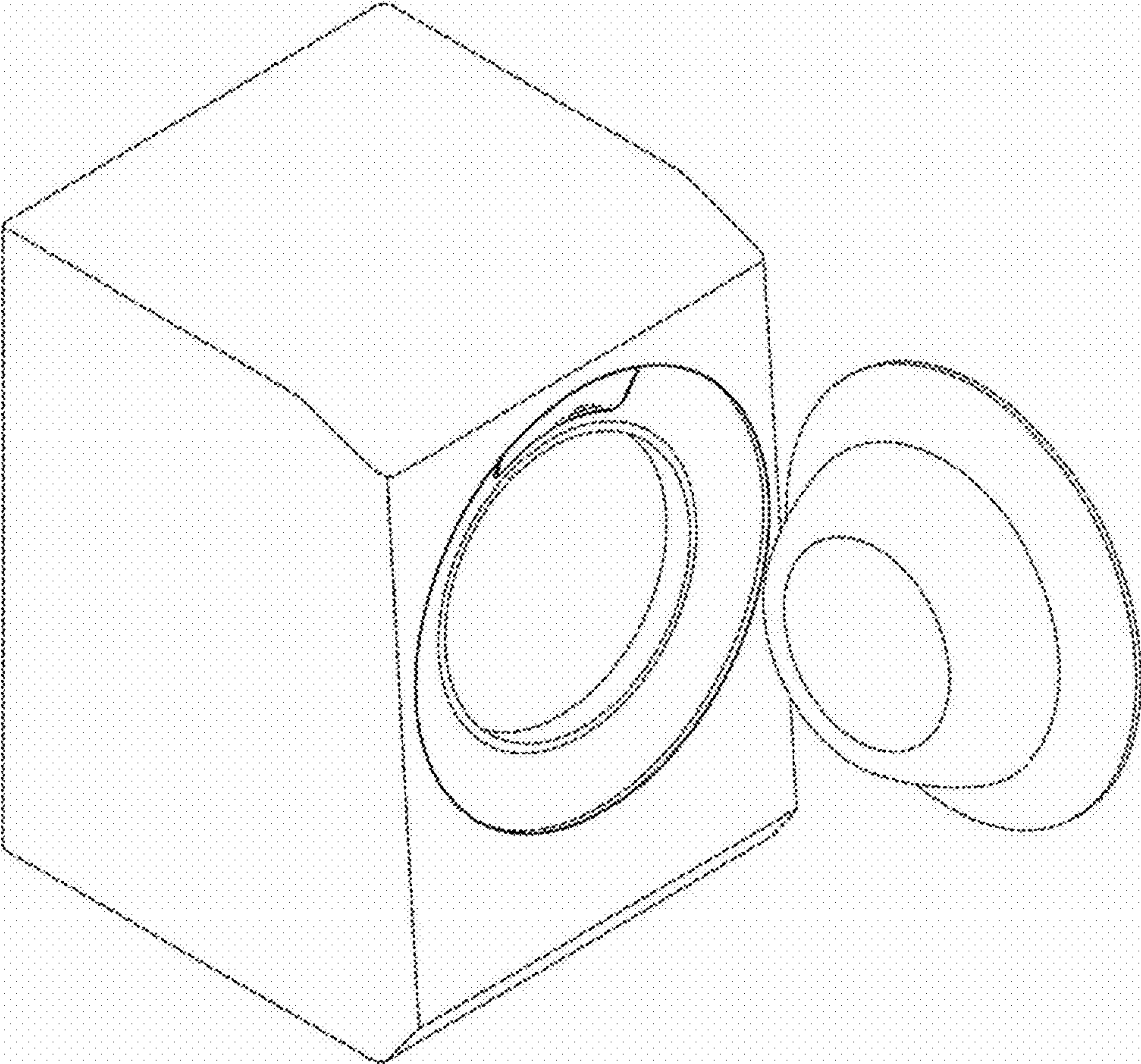


FIG. 9

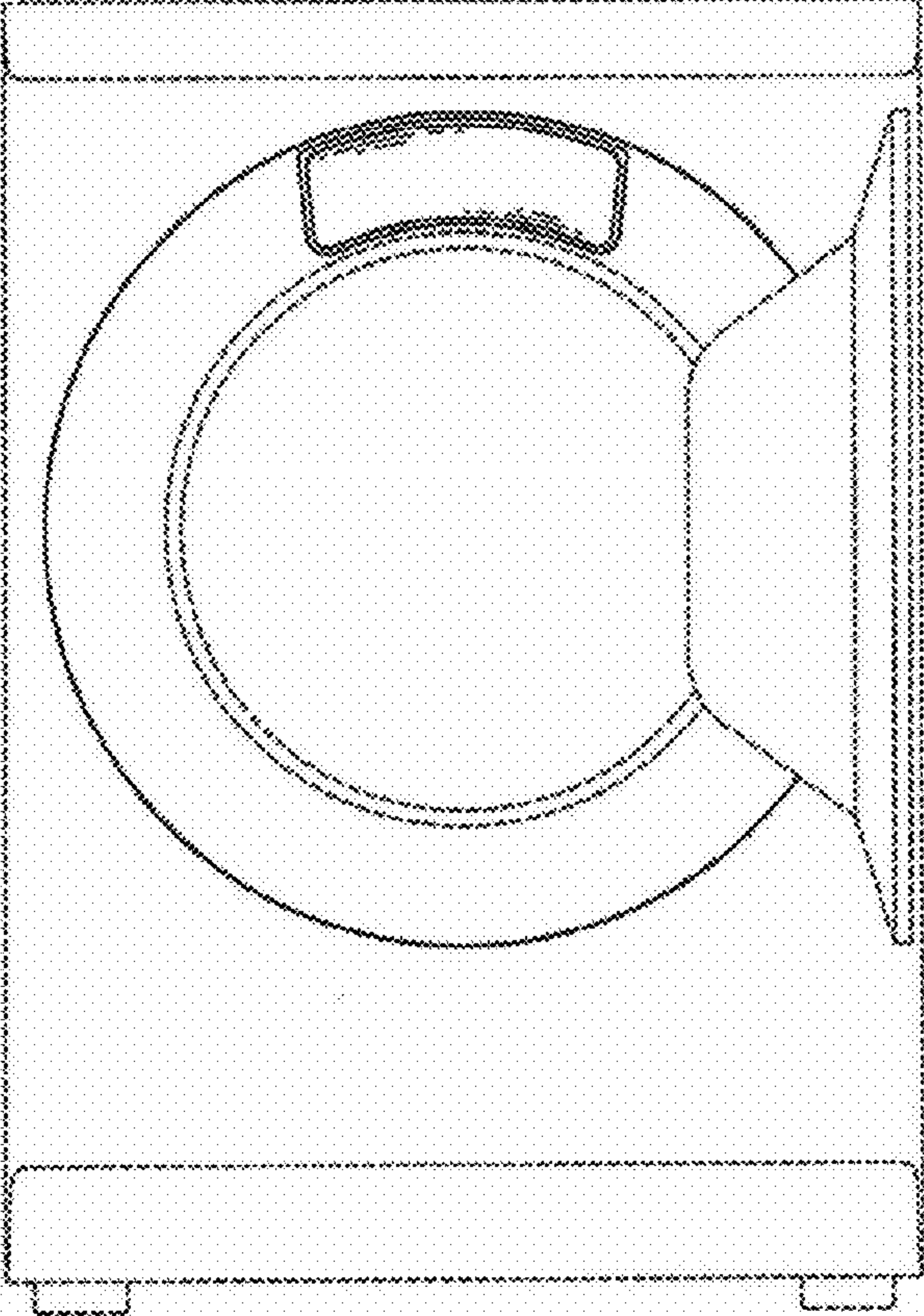


FIG. 10

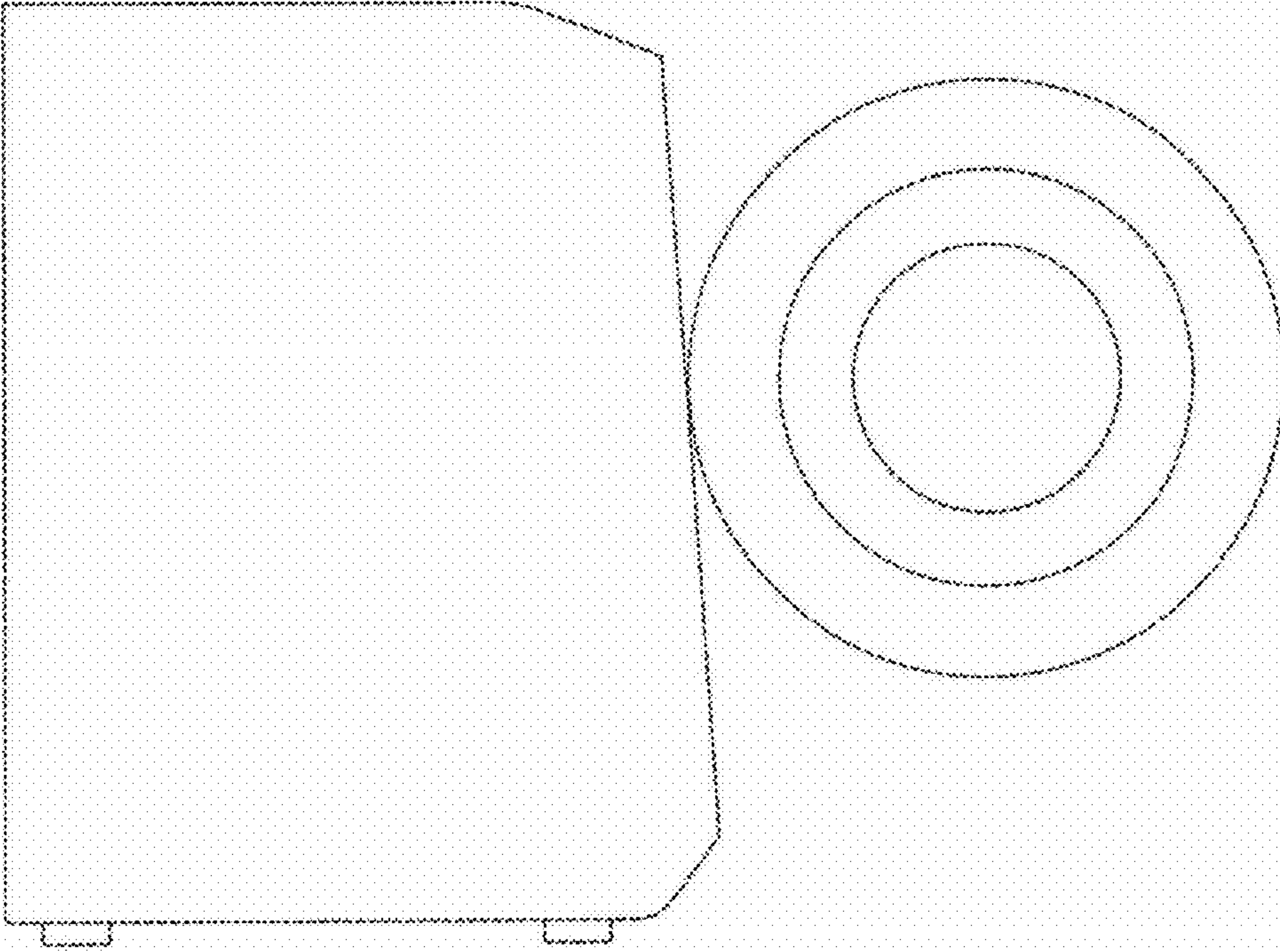


FIG. 11

