

US00D767834S

(12) **United States Design Patent**
Kim et al.

(10) **Patent No.:** **US D767,834 S**
(45) **Date of Patent:** **** Sep. 27, 2016**

(54) **CLEANER**
(71) Applicant: **Samsung Electronics Co., Ltd.**,
Suwon-si (KR)
(72) Inventors: **Kyung-Tae Kim**, Seoul (KR);
Min-Hyouk Bu, Seoul (KR);
Kyung-Soo Sun, Seoul (KR); **Kio Lee**,
Seoul (KR)
(73) Assignee: **SAMSUNG ELECTRONICS CO.,**
LTD. (KR)
(**) Term: **14 Years**
(21) Appl. No.: **29/490,628**
(22) Filed: **May 12, 2014**

(30) **Foreign Application Priority Data**
Nov. 12, 2013 (KR) 30-2013-0056855
(51) **LOC (10) Cl.** **15-05**
(52) **U.S. Cl.**
USPC **D32/21**
(58) **Field of Classification Search**
USPC D32/17-18, 21-24, 31
CPC A47L 9/2842; A47L 9/08; A47L 9/20;
A47L 5/24; A47L 5/362; A47L 5/365;
A47L 5/14; A47L 5/28; A47L 5/34; A47L
7/0038; E04H 4/1654; B62D 57/032
See application file for complete search history.

(56) **References Cited**
U.S. PATENT DOCUMENTS
5,983,444 A * 11/1999 Jacobs A47L 5/225
15/329
D473,355 S * 4/2003 Fernandez D32/18

D527,854 S * 9/2006 Marzynski D15/199
D569,563 S * 5/2008 Shin D32/18
D589,218 S * 3/2009 Shin D32/18
D611,209 S * 3/2010 Shin D32/18
D659,920 S * 5/2012 Lee D32/21
D660,526 S * 5/2012 Erlich D32/18
D671,284 S * 11/2012 Paterson D32/18
D671,695 S * 11/2012 Seo D32/18
D699,408 S * 2/2014 Song D32/18
D732,251 S * 6/2015 Shin D32/18
2003/0145417 A1 * 8/2003 Lee A47L 5/24
15/339
2011/0138568 A1 * 6/2011 Hsu A47L 5/24
15/339
2013/0298349 A1 * 11/2013 Song A47L 5/24
15/319
2014/0373305 A1 * 12/2014 Lee B25G 1/06
15/344

* cited by examiner

Primary Examiner — Ruth McInroy

(74) *Attorney, Agent, or Firm* — Cantor Colburn LLP

(57) **CLAIM**

We claim, the ornamental design for a cleaner, as shown and described.

DESCRIPTION

FIG. 1 is a perspective view of a cleaner, showing our new design;
FIG. 2 is a front elevation view thereof;
FIG. 3 is a rear elevation view thereof;
FIG. 4 is a side elevation view thereof;
FIG. 5 is another side elevation view thereof; and,
FIG. 6 is a top plan view thereof.
The broken lines are for environmental purpose only and form no part of the claimed design.

1 Claim, 6 Drawing Sheets

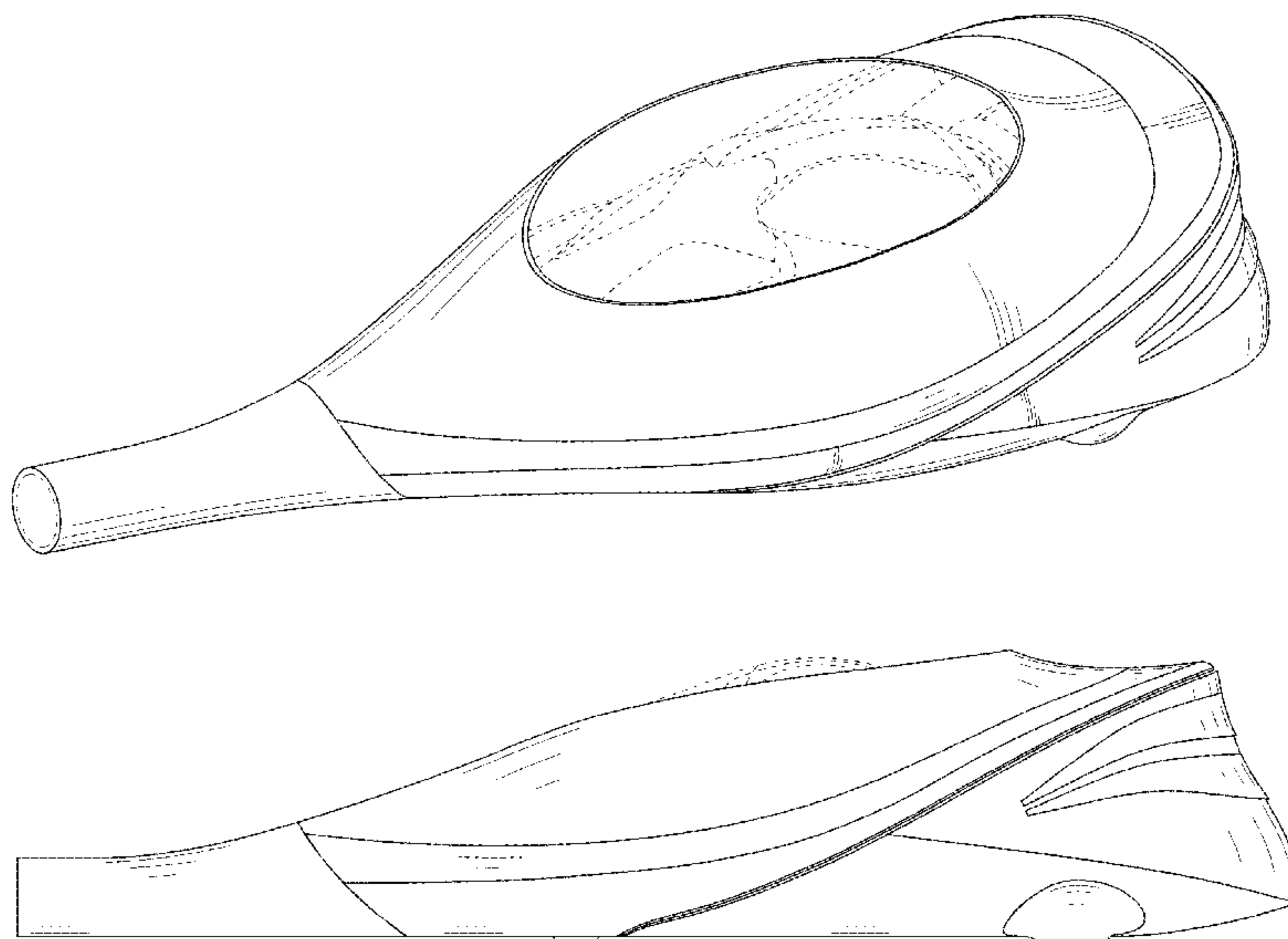


FIG. 1

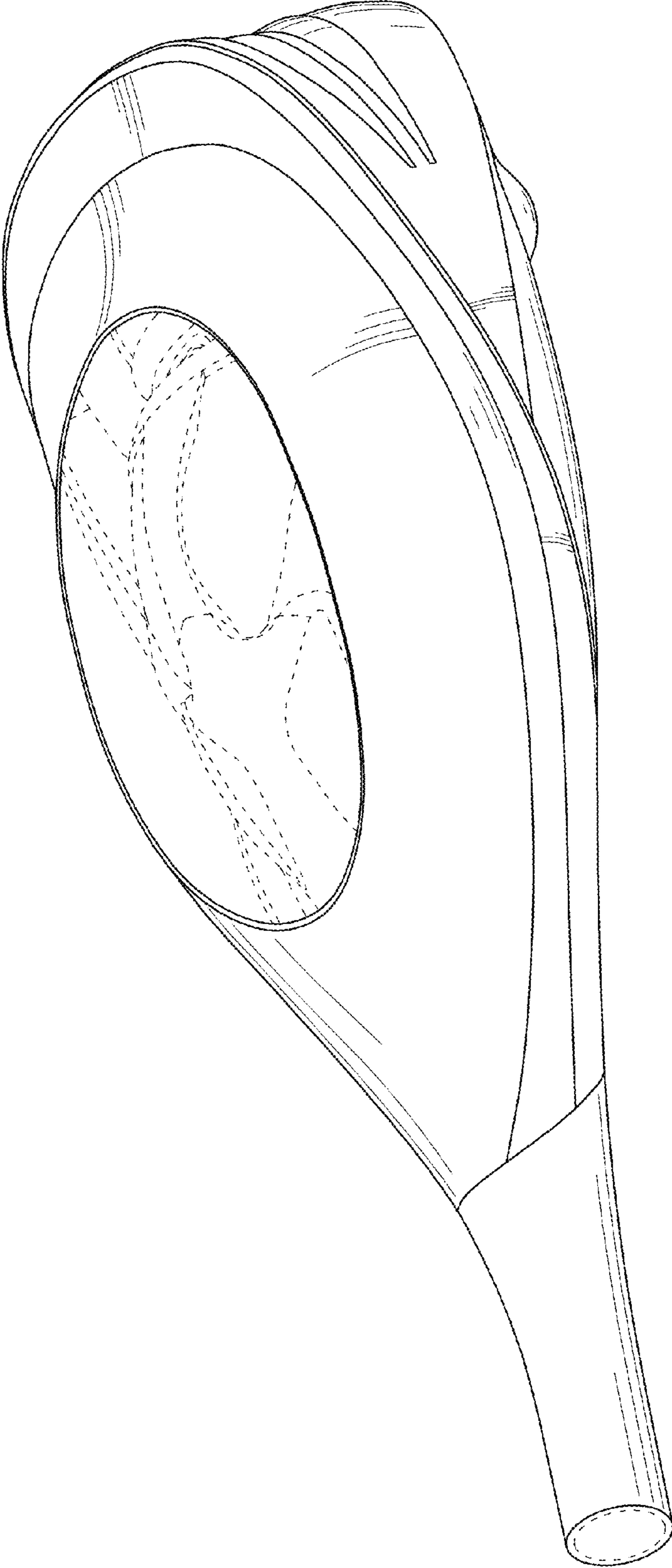


FIG. 2

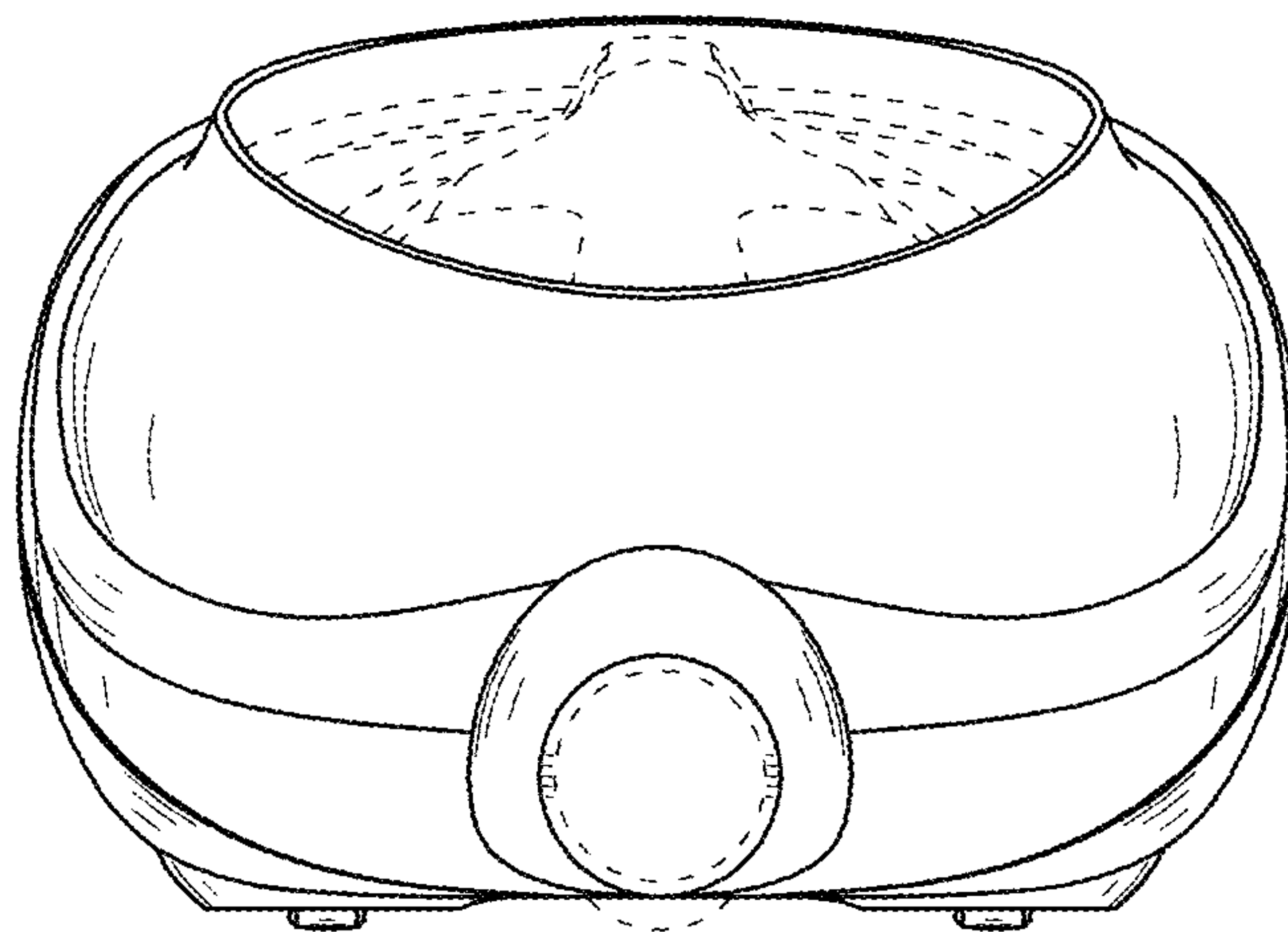


FIG. 3

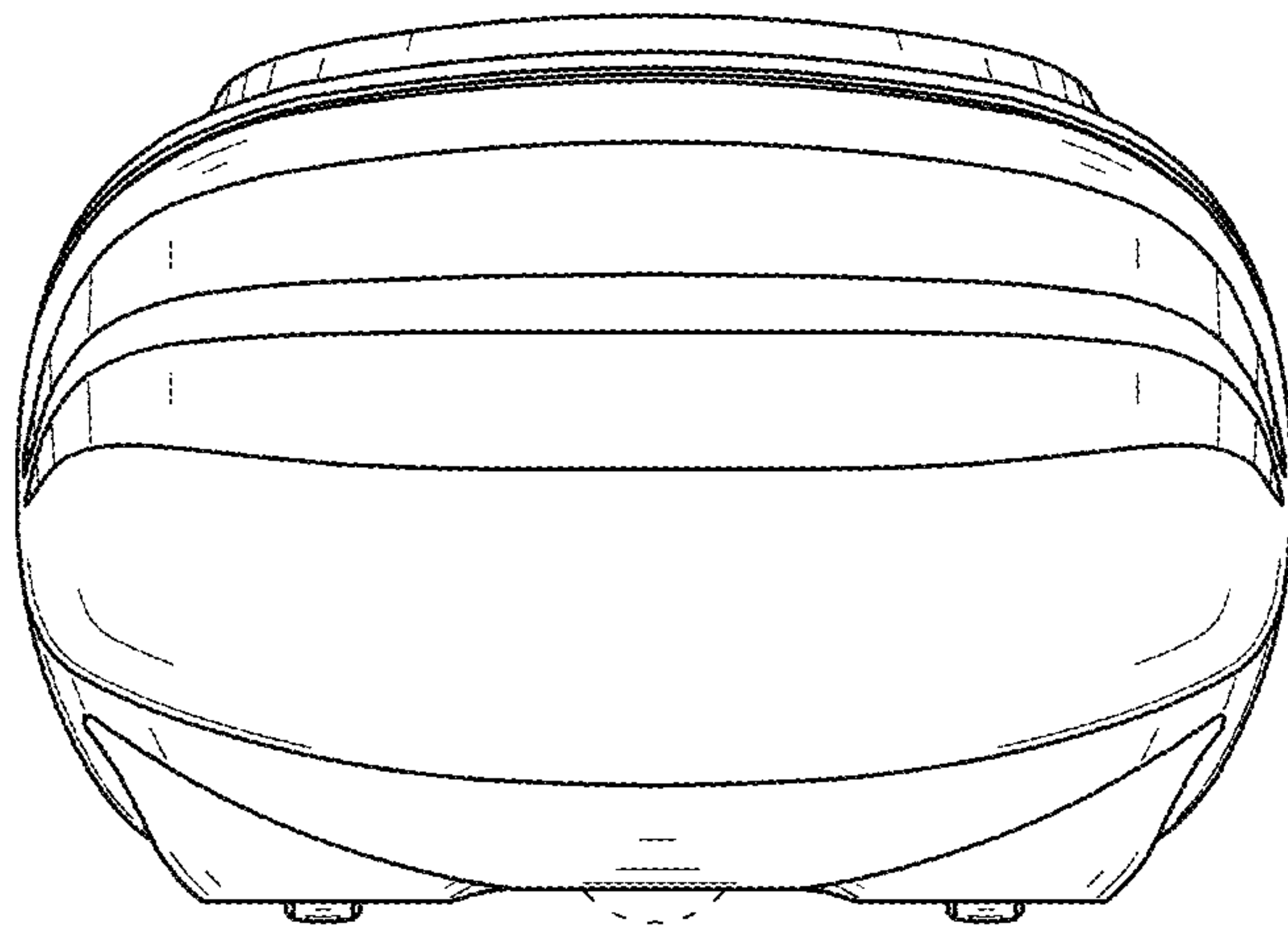


FIG. 4

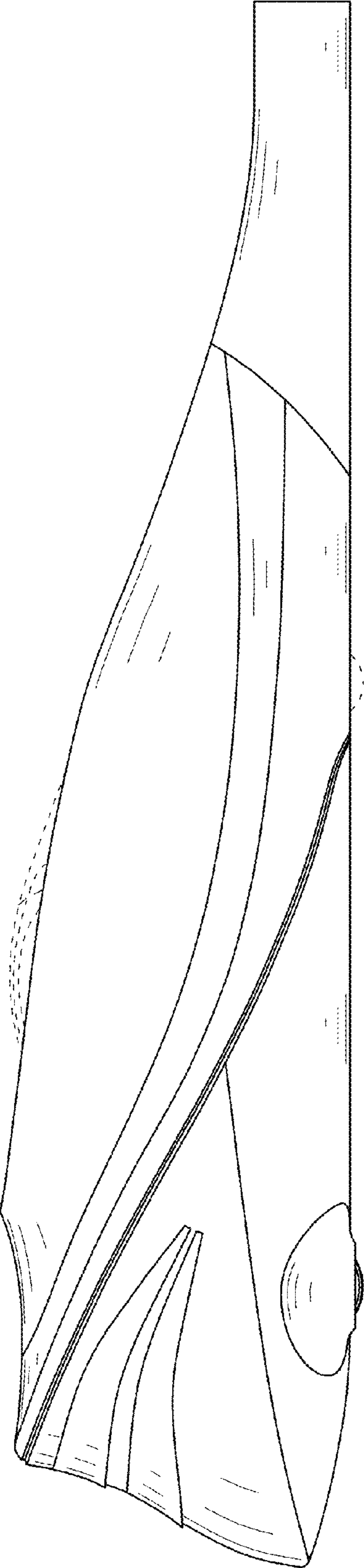


FIG. 5

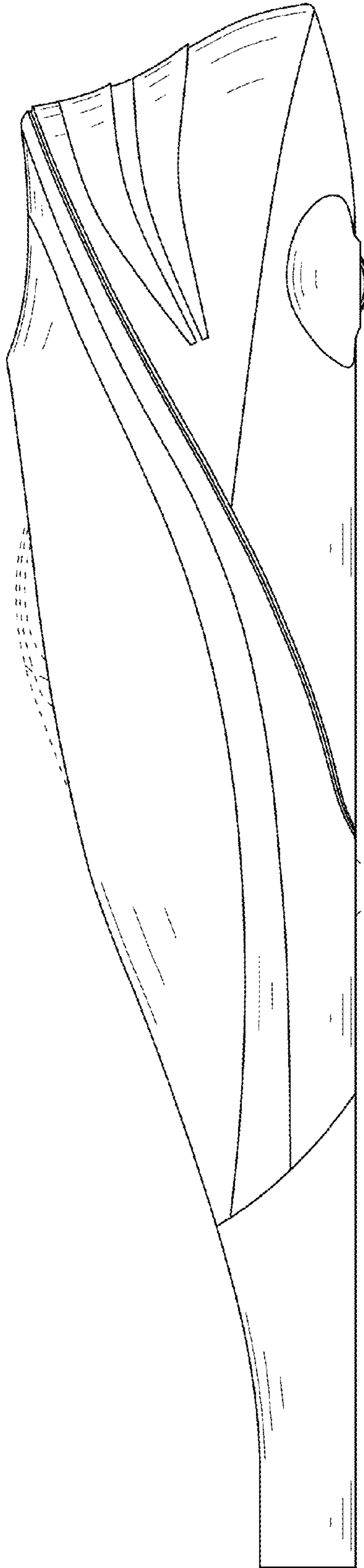


FIG. 6

