



US00D767833S

(12) **United States Design Patent**
Carter et al.

(10) **Patent No.:** **US D767,833 S**
(45) **Date of Patent:** **** Sep. 27, 2016**

(54) **VACUUM CLEANER**

(71) Applicant: **Techtronic Floor Care Technology Limited**, Tortola (VG)

(72) Inventors: **Daniel William Carter**, West Midlands (GB); **Darren David Holmes**, West Midlands (GB); **Simon Pougher**, West Midlands (GB); **Thomas Robert Harries**, West Midlands (GB); **Mark Barnsley**, West Midlands (GB)

(73) Assignee: **Techtronic Floor care Technology Limited**, Tortola (VG)

(**) Term: **14 Years**

(21) Appl. No.: **29/489,291**

(22) Filed: **Apr. 29, 2014**

(30) **Foreign Application Priority Data**

Nov. 1, 2013 (EM) 001388482

(51) **LOC (10) Cl.** **15-05**

(52) **U.S. Cl.**
USPC **D32/21**

(58) **Field of Classification Search**
USPC D32/18, 21-24, 31
CPC . B01D 50/002; A47L 9/1625; A47L 9/1683;
A47L 9/1666; A47L 9/1641; A47L 5/28;
A47L 5/24; A47L 5/362; A47L 5/365;
A47L 5/36; A47L 7/06
See application file for complete search history.

(56) **References Cited**

U.S. PATENT DOCUMENTS

2,392,205 A * 1/1946 Wales A47L 5/36
15/327.5
D147,874 S * 11/1947 Senne D32/24

D176,635 S * 1/1956 Shalvoy D32/21
2,769,998 A * 11/1956 Hunter A47L 5/367
15/323
D182,286 S * 3/1958 Makihara et al. D32/21
6,141,822 A * 11/2000 Riviera-Boklund A47L 5/36
15/325
D443,738 S * 6/2001 Makihara D32/21
D661,033 S * 5/2012 Mastio D32/31
2012/0222263 A1* 9/2012 Conrad A47L 9/00
15/412

OTHER PUBLICATIONS

Co-pending Design U.S. Appl. No. 29/494,455, filed Jun. 20, 2014.

* cited by examiner

Primary Examiner — Ruth McInroy

(74) *Attorney, Agent, or Firm* — Michael Best & Friedrich LLP

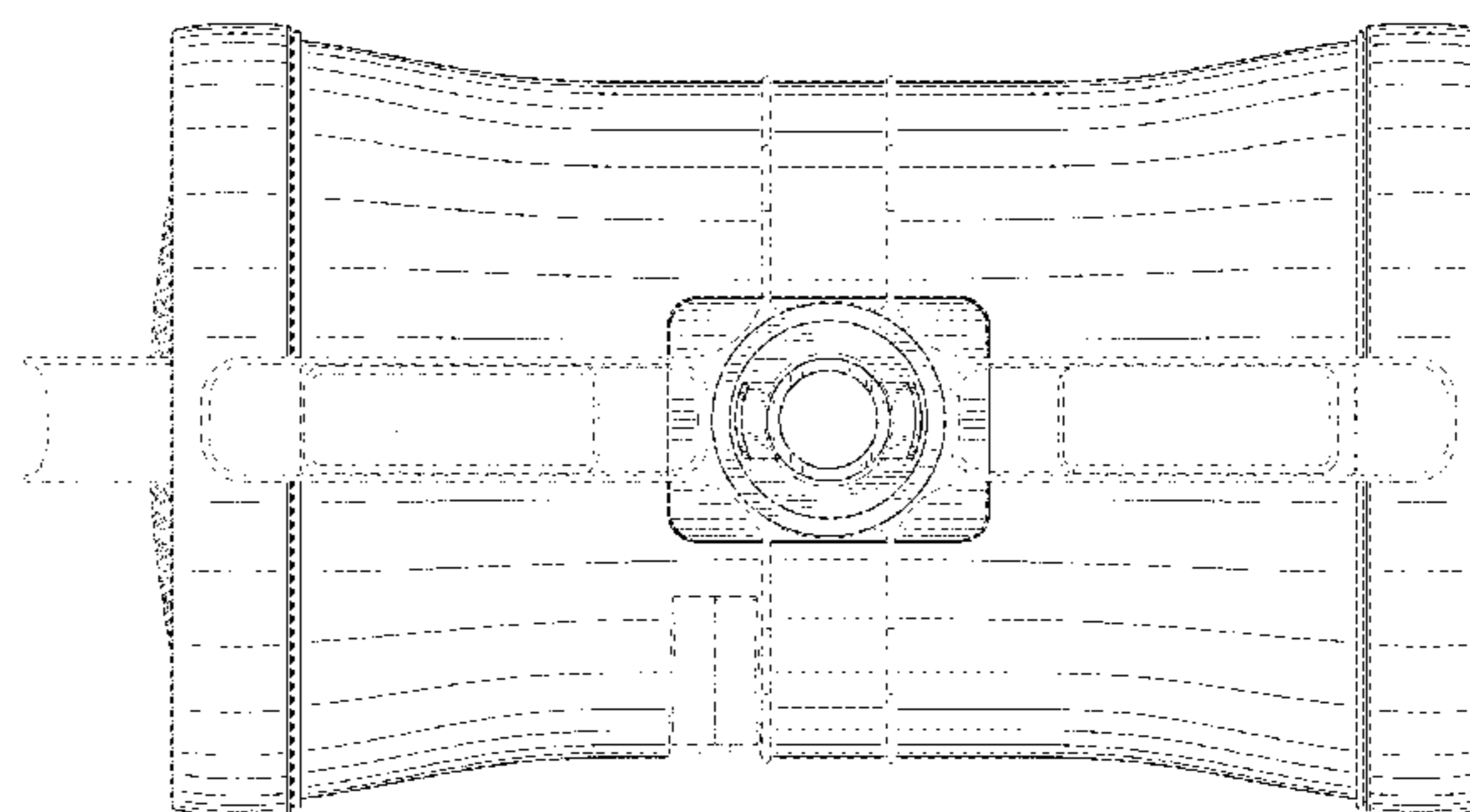
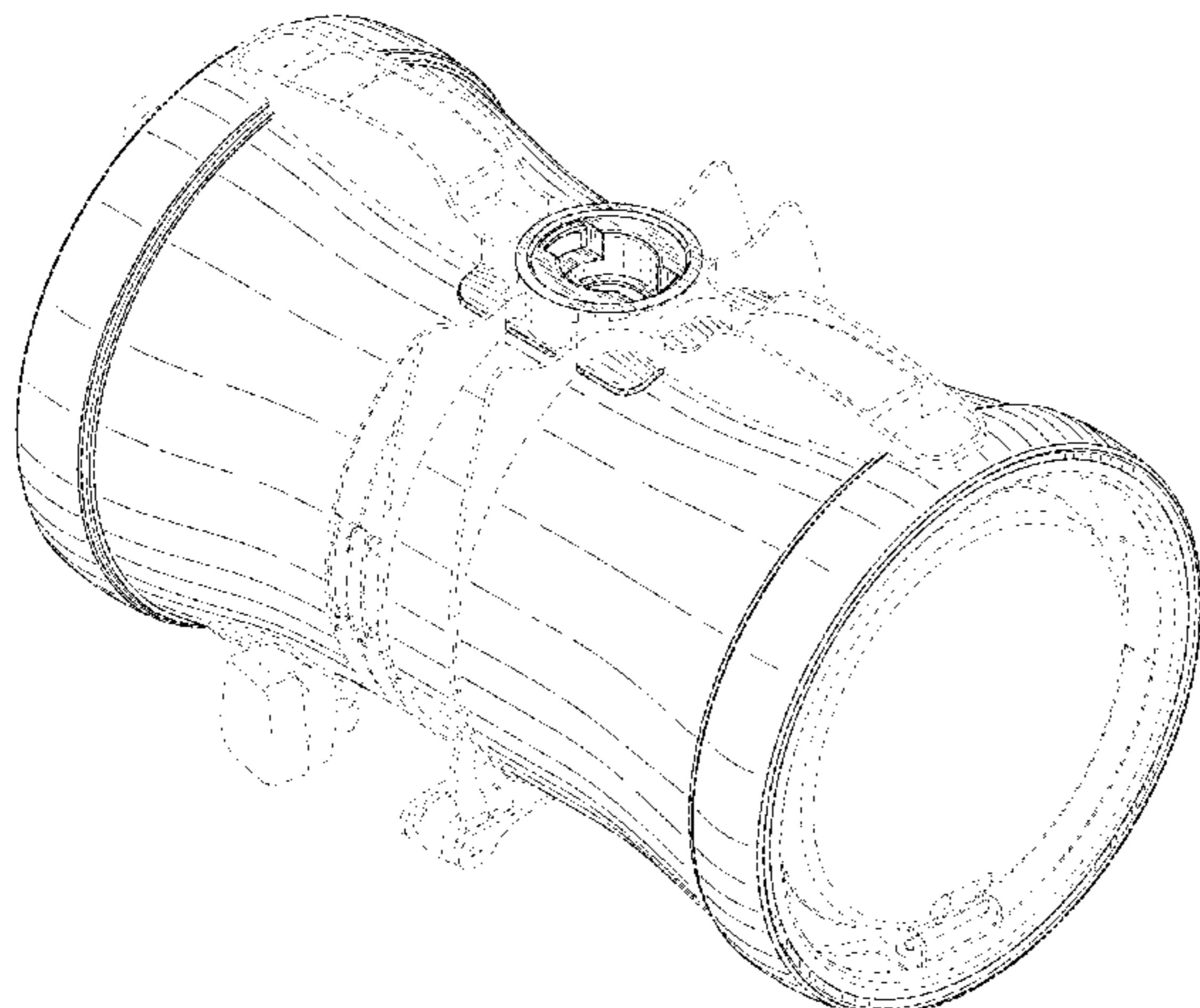
(57) **CLAIM**

We claim the ornamental design for vacuum cleaner, as shown and described.

DESCRIPTION

FIG. 1 is a front perspective view of a vacuum cleaner showing our new design;
FIG. 2 is a rear perspective view thereof;
FIG. 3 is a right side view thereof;
FIG. 4 is a left side view thereof;
FIG. 5 is a top view thereof;
FIG. 6 is a bottom view thereof;
FIG. 7 is a front view thereof; and,
FIG. 8 is a rear view thereof.
The elements shown in broken lines are included for the purpose of illustrating environment and form no part of the claimed design.

1 Claim, 8 Drawing Sheets



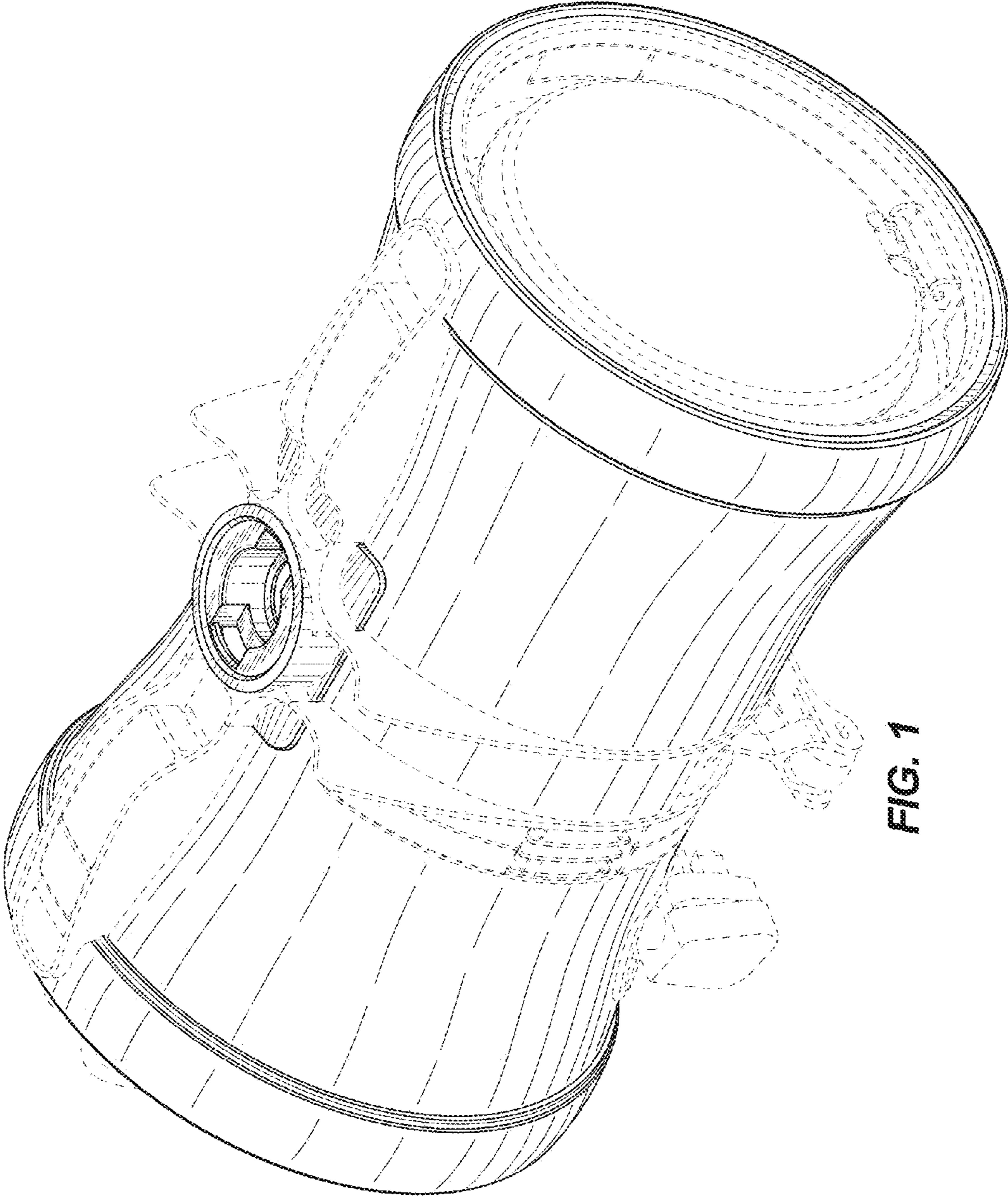


FIG. 1

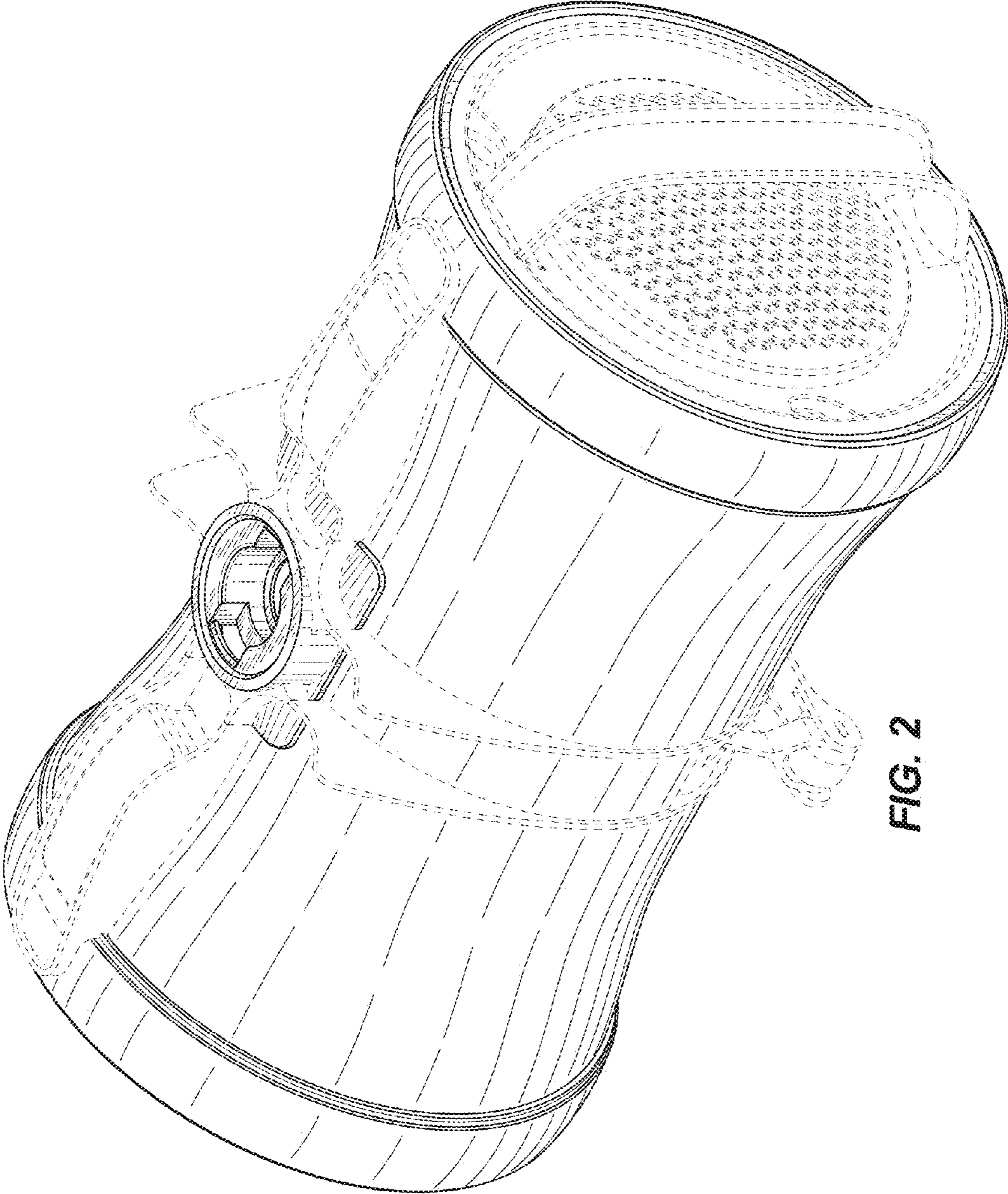


FIG. 2

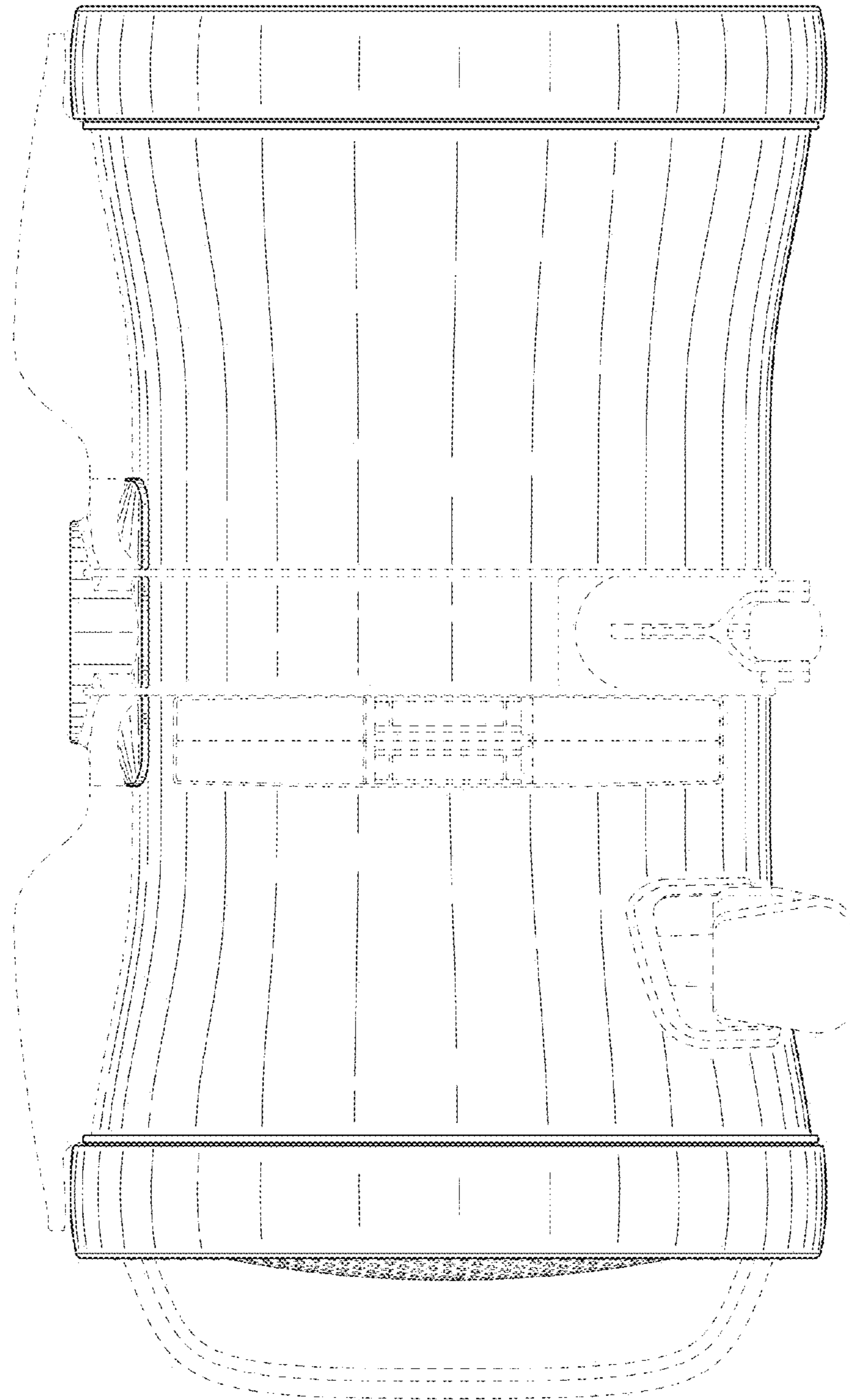


FIG. 3

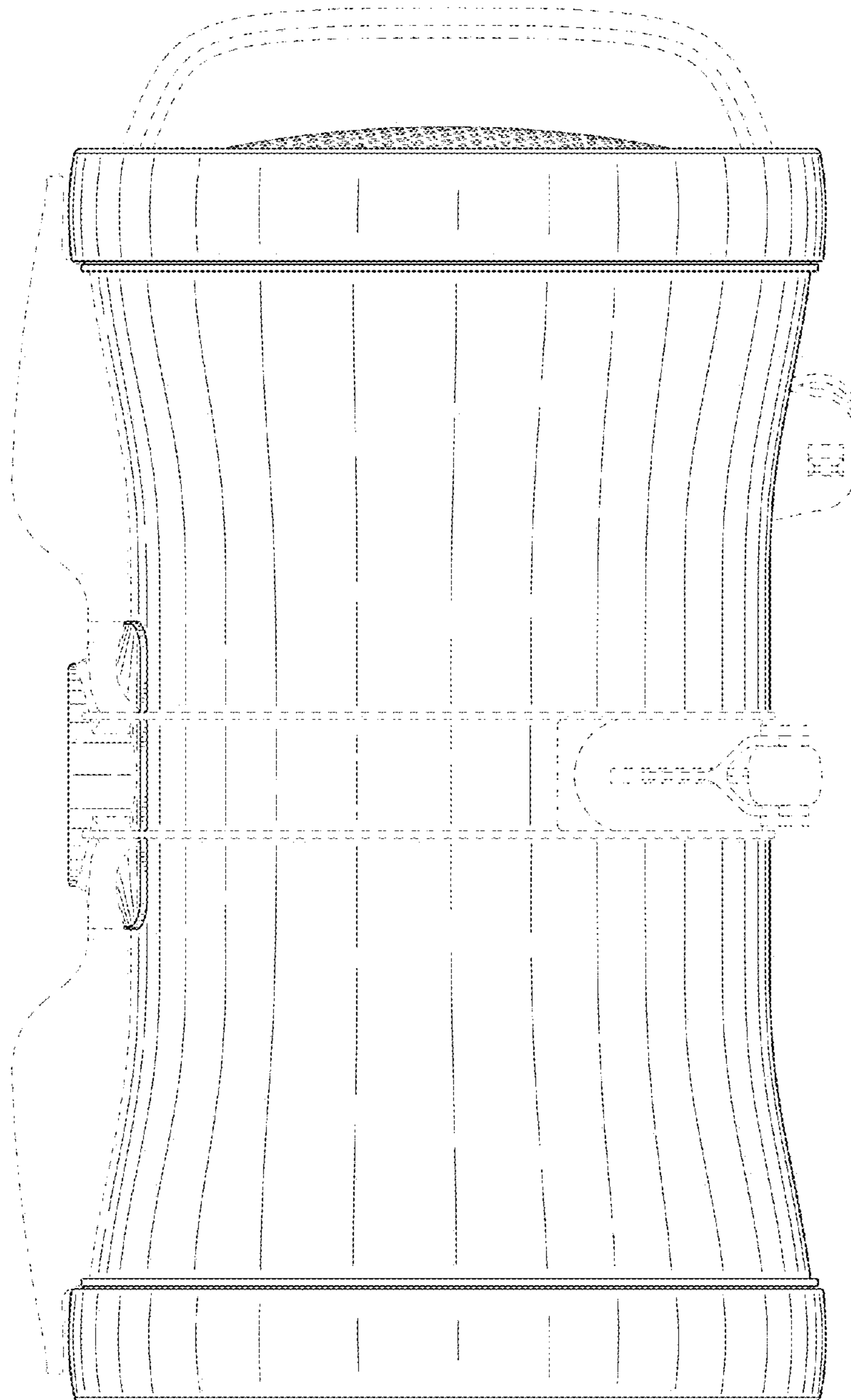


FIG. 4

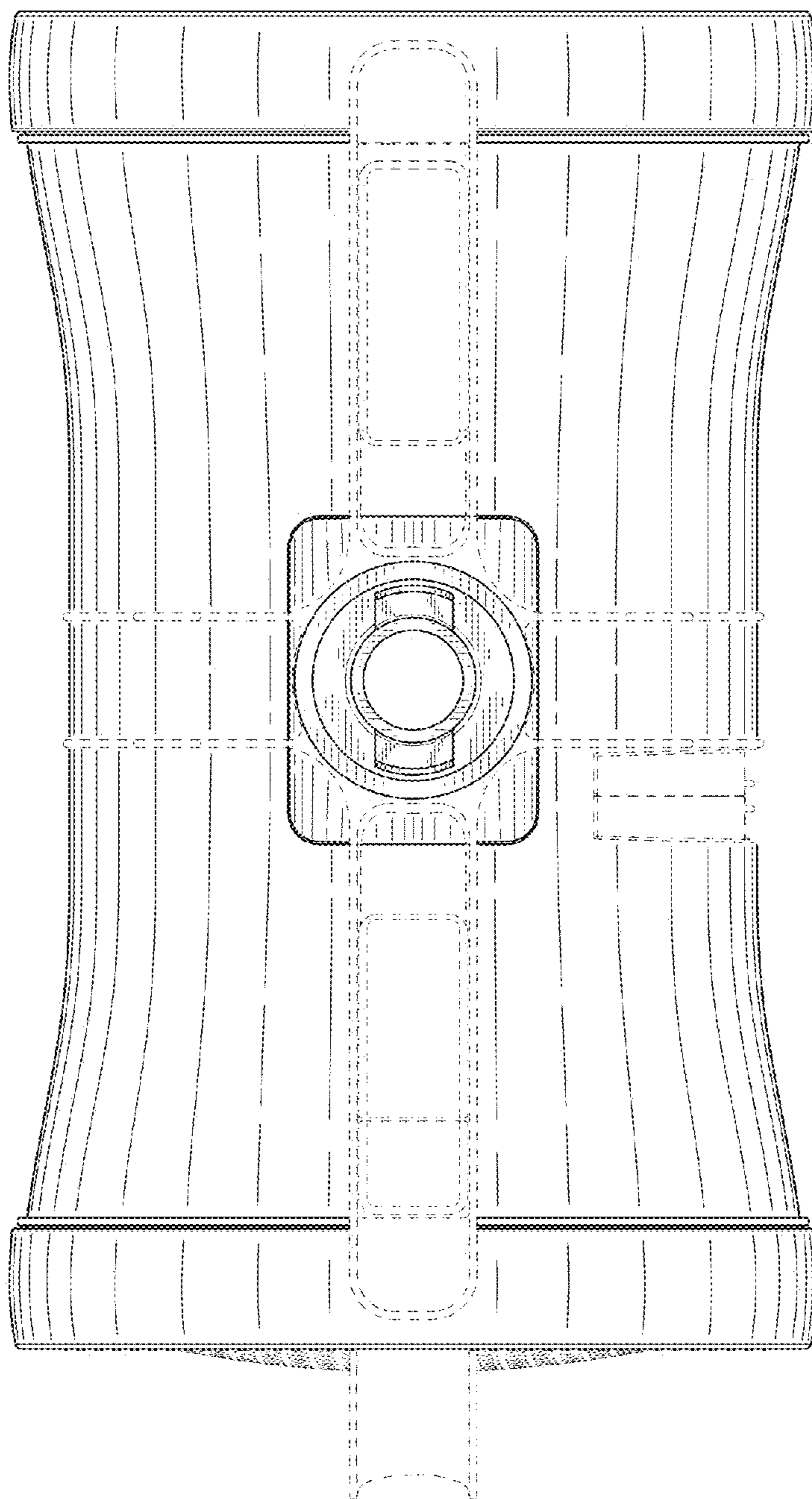


FIG. 5

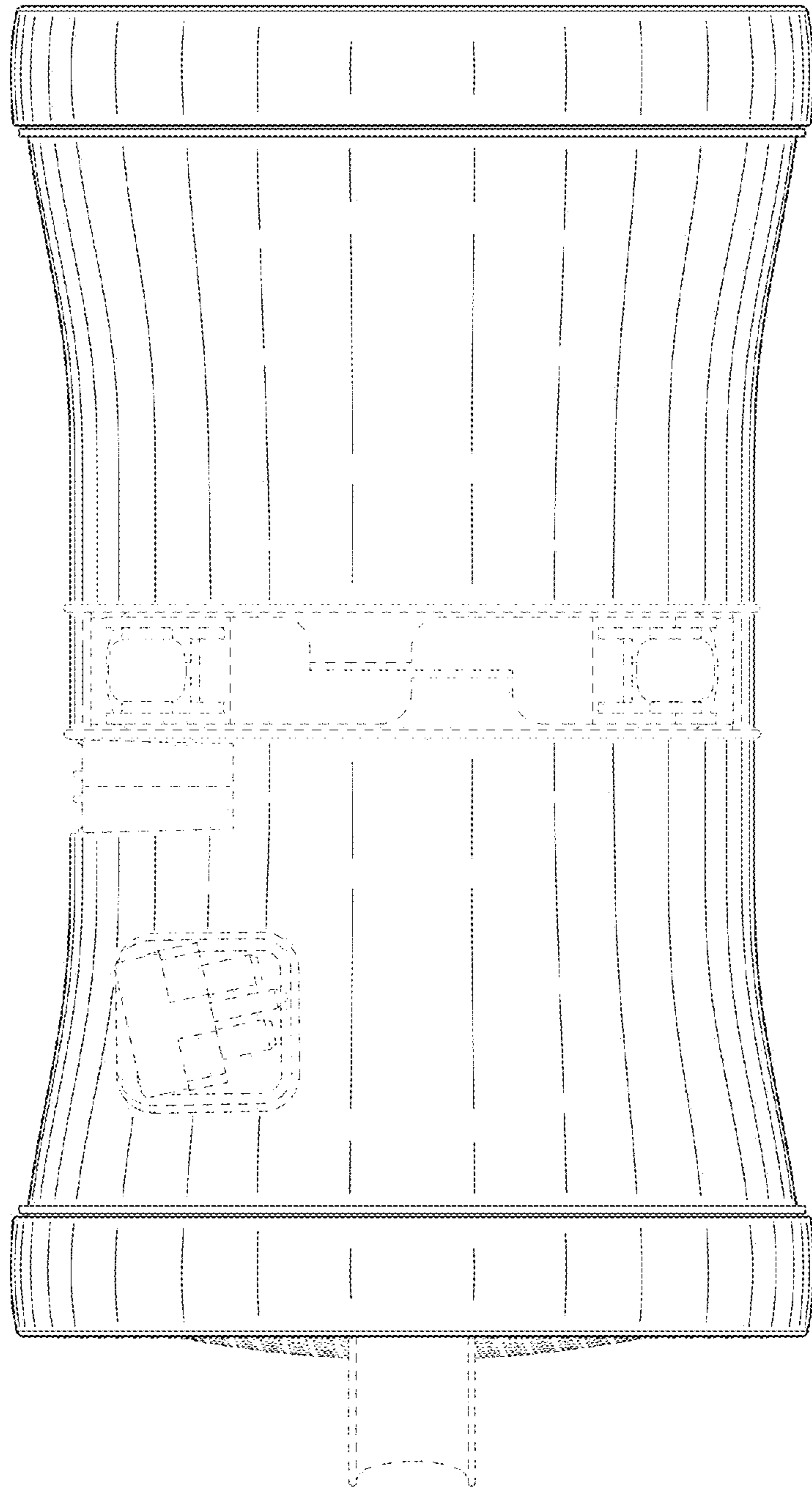


FIG. 6

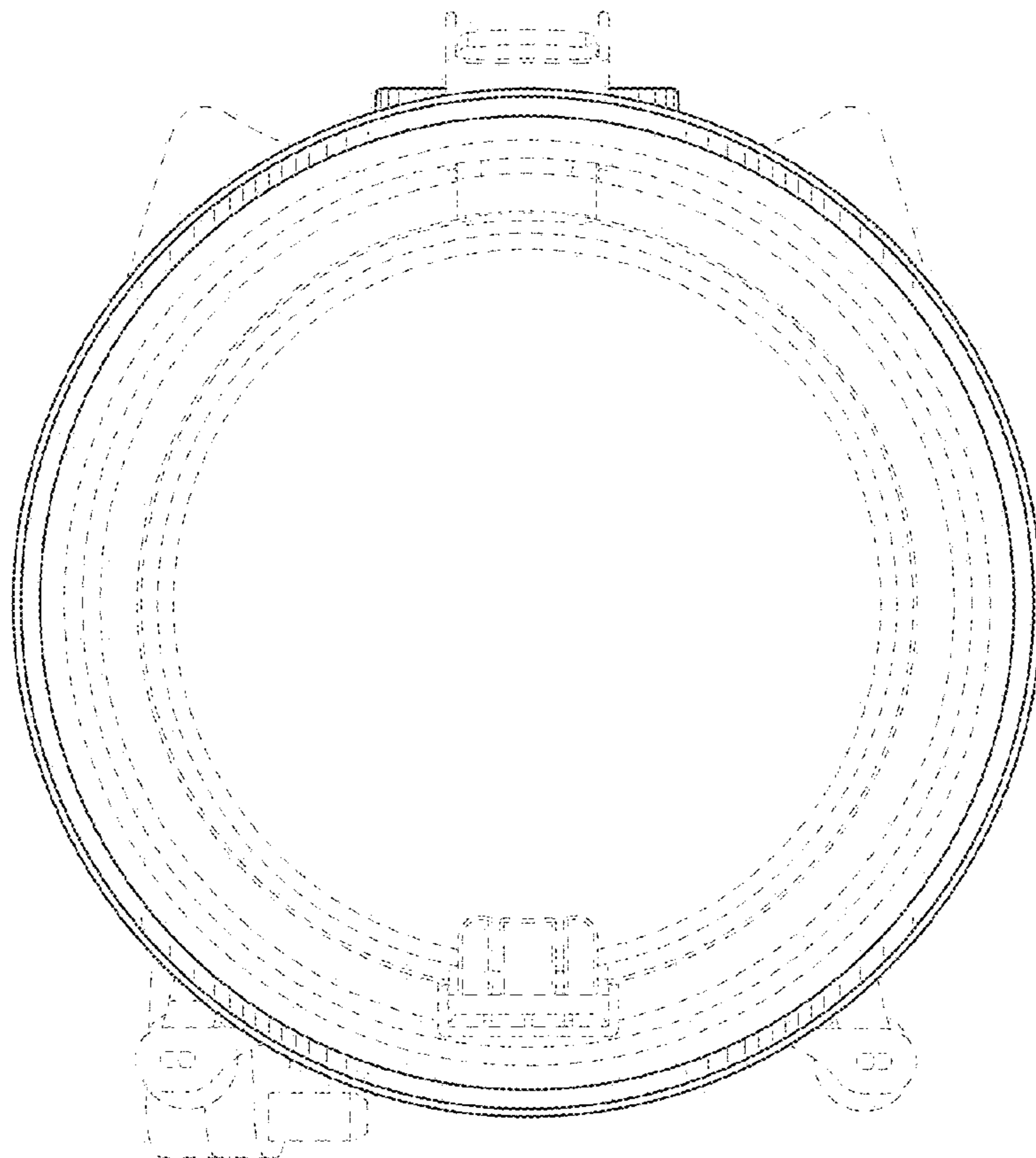


FIG. 7

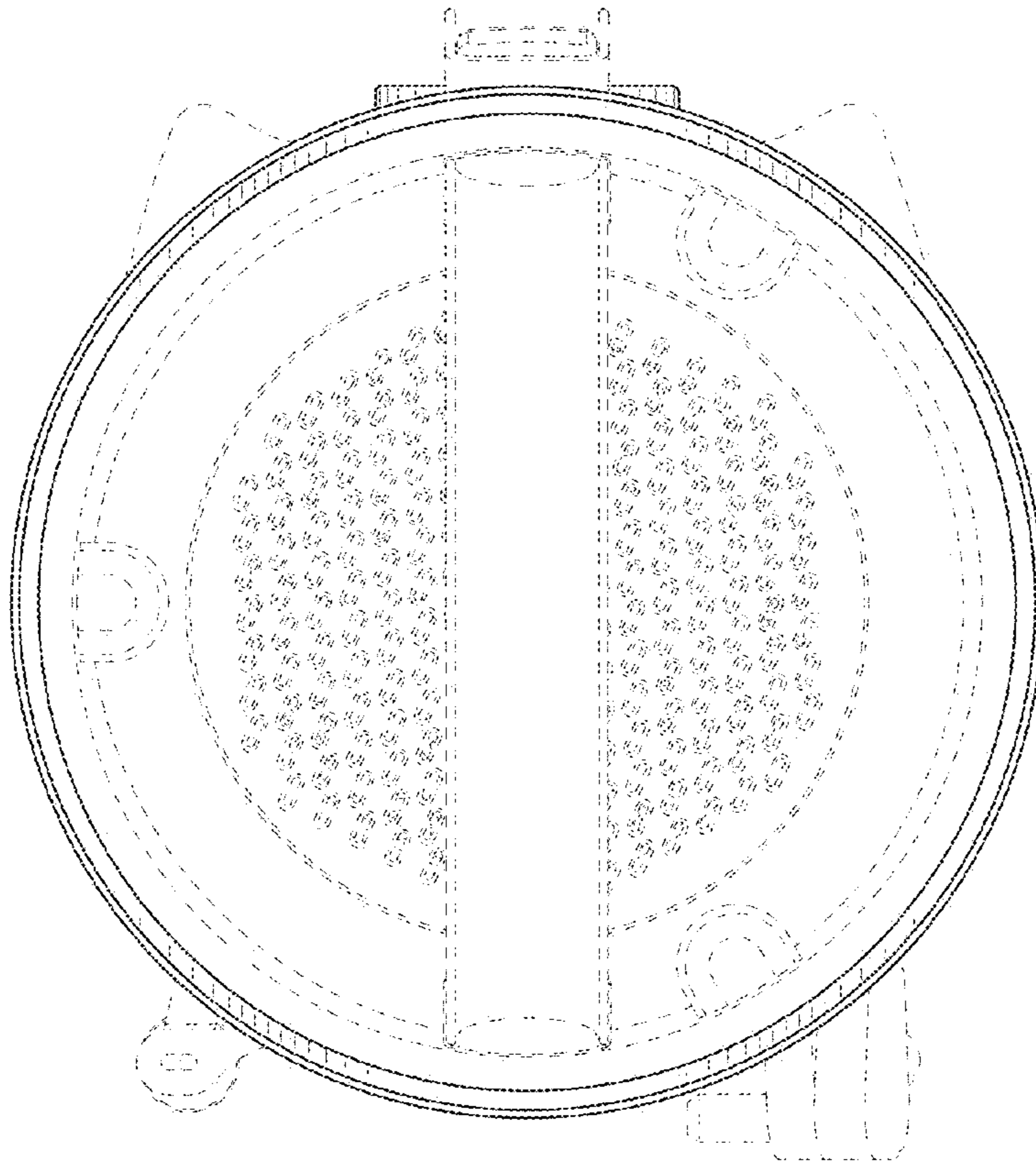


FIG. 8