



US00D767829S

(12) **United States Design Patent** (10) **Patent No.:** **US D767,829 S**
Wu (45) **Date of Patent:** **** Sep. 27, 2016**

(54) **BELT FOR WELDING HELMET**
(71) Applicant: **Tecmen Electronics Co., Ltd.**, Nanjing (CN)
(72) Inventor: **Ziqian Wu**, Nanjing (CN)
(73) Assignee: **Tecmen Electronics Co., Ltd.**, Nanjing (CN)
(**) Term: **15 Years**
(21) Appl. No.: **29/535,104**
(22) Filed: **Aug. 4, 2015**

(30) **Foreign Application Priority Data**
Feb. 4, 2015 (CN) 2015 3 0033669

(51) **LOC (10) Cl.** **29-02**
(52) **U.S. Cl.**
USPC **D29/122**

(58) **Field of Classification Search**
USPC D29/100, 102, 103, 105, 106, 108, 110, D29/111, 122
CPC A42B 1/066; A42B 1/00; A42B 1/06; A42B 1/002; A42B 3/228; A42B 3/00; A42B 3/08; A42B 3/32; A42B 3/222; A42B 3/20; A42B 3/227; A42B 3/105; A42B 3/04; A42B 3/06; A42B 3/0406; A42B 3/18; A42B 3/166; A42B 3/16; A42B 3/22; A42B 3/0473; A42B 3/127; A42B 3/003; A42B 3/062; A42B 3/14; A42B 3/145; A42B 3/147; A42B 3/324
See application file for complete search history.

(56) **References Cited**
U.S. PATENT DOCUMENTS
D266,192 S * 9/1982 Feinbloom D26/39
4,675,919 A 6/1987 Heine et al.
4,766,610 A 8/1988 Mattes

D363,145 S 10/1995 Newman et al.
D366,732 S 1/1996 Gregg et al.
D370,309 S 5/1996 Stucky
5,790,681 A * 8/1998 Leppalahti A42B 3/30
2/906
D398,403 S * 9/1998 Bishop D24/231
D441,111 S * 4/2001 Van Der Bel D24/231
D441,886 S * 5/2001 Beck D24/231
6,266,827 B1 7/2001 Lampe et al.
6,301,716 B1 10/2001 Ross
6,374,422 B1 4/2002 Gonzalez et al.
D469,928 S 2/2003 Keen et al.
D482,163 S 11/2003 Brown
D501,956 S * 2/2005 Grepper D29/122
D503,499 S * 3/2005 Howard D29/122
6,966,074 B2 11/2005 Huh
7,120,939 B1 * 10/2006 Howard A42B 3/14
2/416
D550,849 S * 9/2007 Baker D24/191
D564,134 S 3/2008 Brundage
D564,406 S 3/2008 Chandler
D581,103 S * 11/2008 Fang D29/122

(Continued)

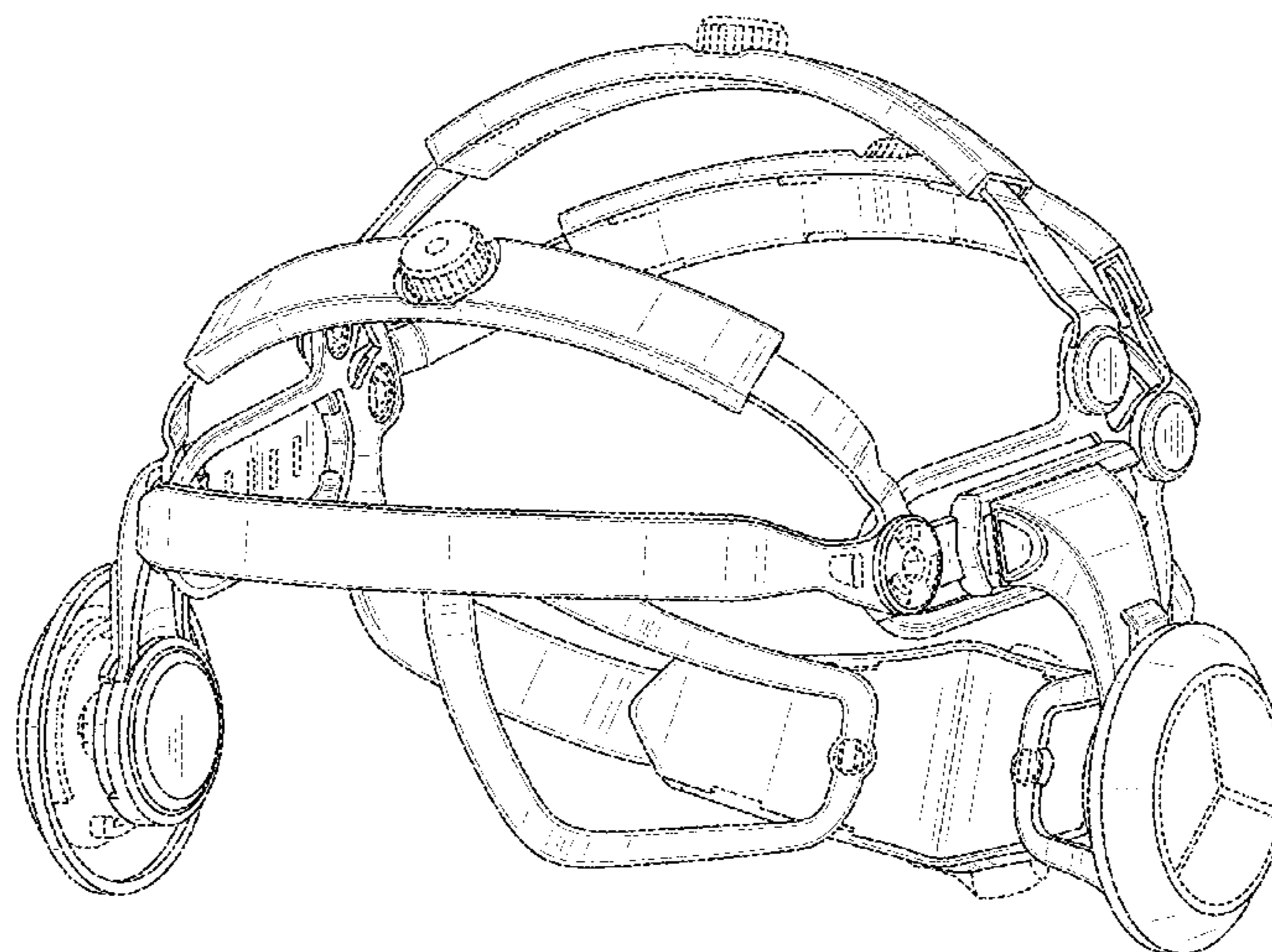
Primary Examiner — Elizabeth J Oswecki
(74) *Attorney, Agent, or Firm* — Leydig, Voit & Mayer, Ltd.

(57) **CLAIM**
The ornamental design for a belt for welding helmet, as shown and described.

DESCRIPTION

FIG. 1 is a top, front, right side perspective view of a belt for welding helmet showing my new design;
FIG. 2 is a top plan view thereof;
FIG. 3 is a bottom plan view thereof;
FIG. 4 is a front elevational view thereof;
FIG. 5 is a rear elevational view thereof;
FIG. 6 is a right side elevational view thereof; and,
FIG. 7 is a left side elevational view thereof.
The broken lines shown in the drawings represent portions of the belt for welding helmet that form no part of the claimed design.

1 Claim, 7 Drawing Sheets



(56)

References Cited

U.S. PATENT DOCUMENTS

| | | | | | | | | | |
|----------------|---------|----------------|-------|------------------------|-------------------|---------|-----------|-------|---------------------|
| D581,104 S * | 11/2008 | Fang | | D29/122 | D750,847 S * | 3/2016 | Noordzij | | D29/122 |
| D589,686 S | 4/2009 | Lowe et al. | | | 2005/0138719 A1 * | 6/2005 | Huh | | A42B 3/14 2/416 |
| D604,461 S * | 11/2009 | Goldman | | D29/122 | 2006/0225187 A1 | 10/2006 | Wu | | |
| 7,975,318 B2 | 7/2011 | Zuber | | | 2008/0109947 A1 * | 5/2008 | Dubois | | A42B 3/145 2/414 |
| D668,000 S * | 9/2012 | Folkesson | | D29/122 | 2008/0238174 A1 | 10/2008 | Cinquanta | | |
| 8,287,045 B1 | 10/2012 | Donohue et al. | | | 2010/0050324 A1 * | 3/2010 | Musal | | A42B 3/145 2/417 |
| D696,469 S * | 12/2013 | Pfanner | | D29/122 | 2010/0050325 A1 * | 3/2010 | Wang-Lee | | A42B 3/145 2/418 |
| 8,627,517 B2 | 1/2014 | Ahlgren et al. | | | 2010/0229286 A1 * | 9/2010 | Ahlgren | | A42B 3/142 2/416 |
| D710,545 S | 8/2014 | Wu | | | 2012/0144565 A1 * | 6/2012 | Huh | | A42B 3/145 2/421 |
| D710,546 S | 8/2014 | Wu | | | | | | | |
| D716,505 S * | 10/2014 | Wu | | D24/110.4 | | | | | |
| D716,506 S * | 10/2014 | Wu | | D24/110.4 | | | | | |
| 8,899,774 B2 * | 12/2014 | Strong | | F21V 21/084 362/105 | | | | | |

* cited by examiner

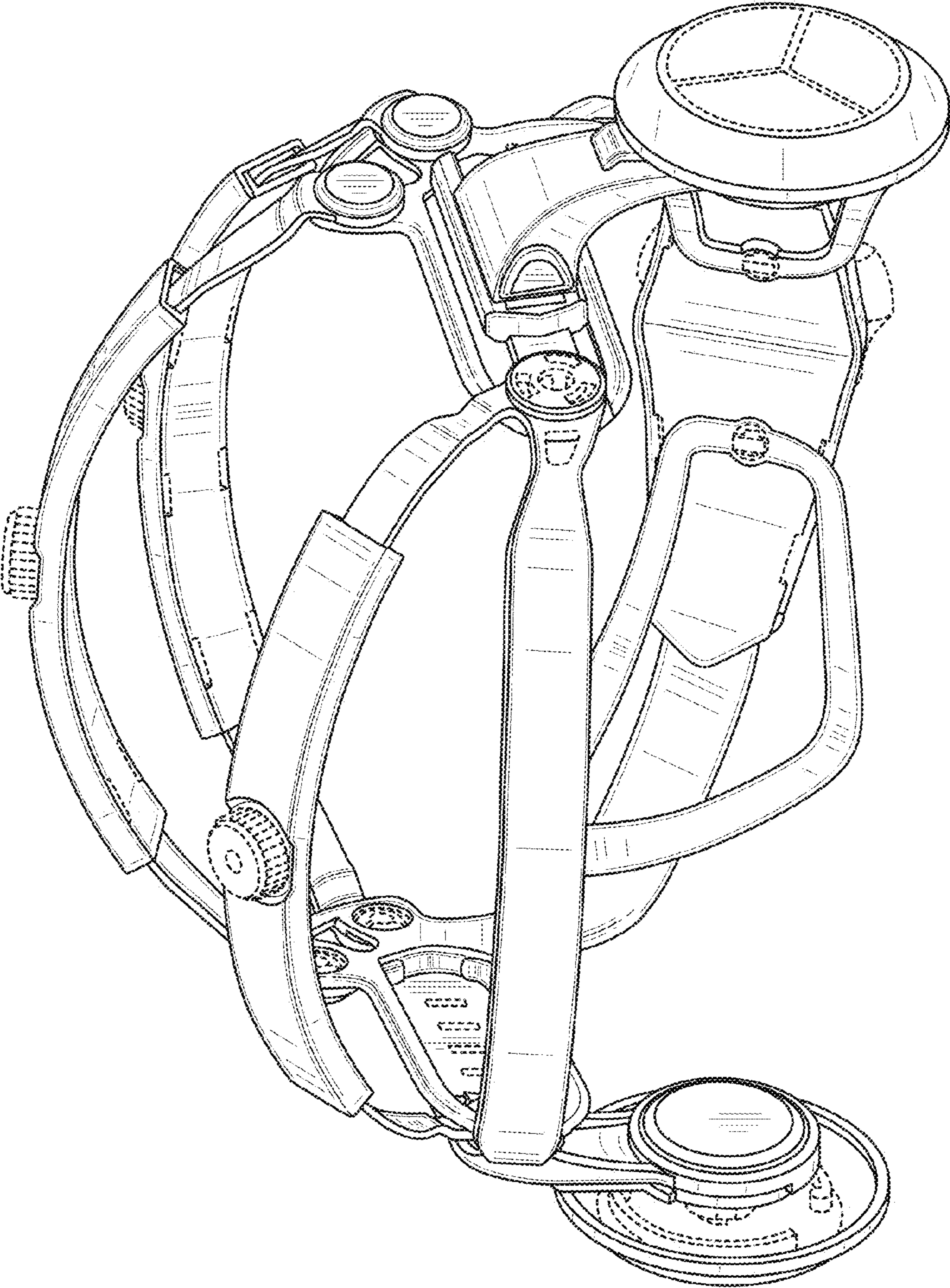


FIG. 1

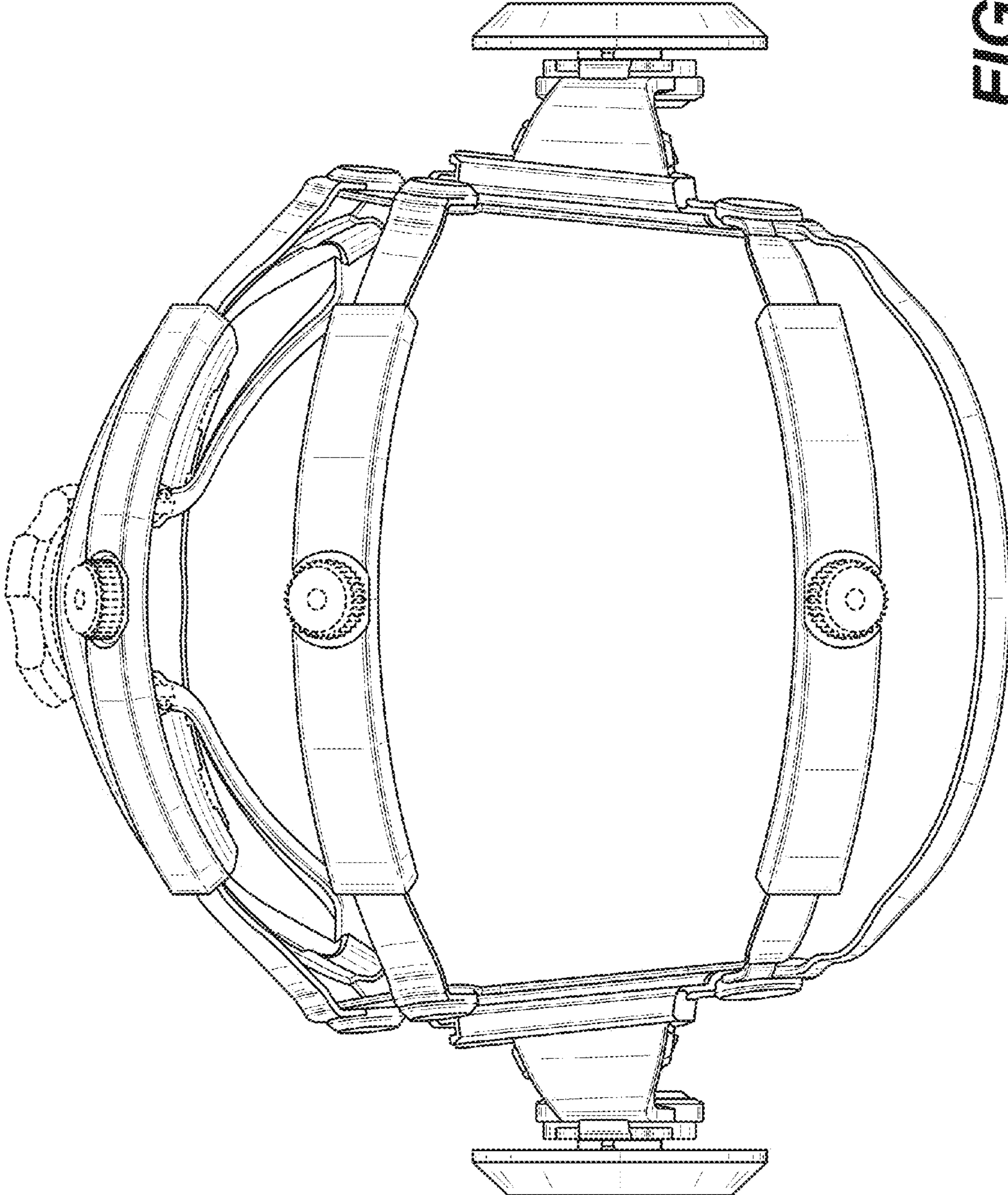


FIG. 2

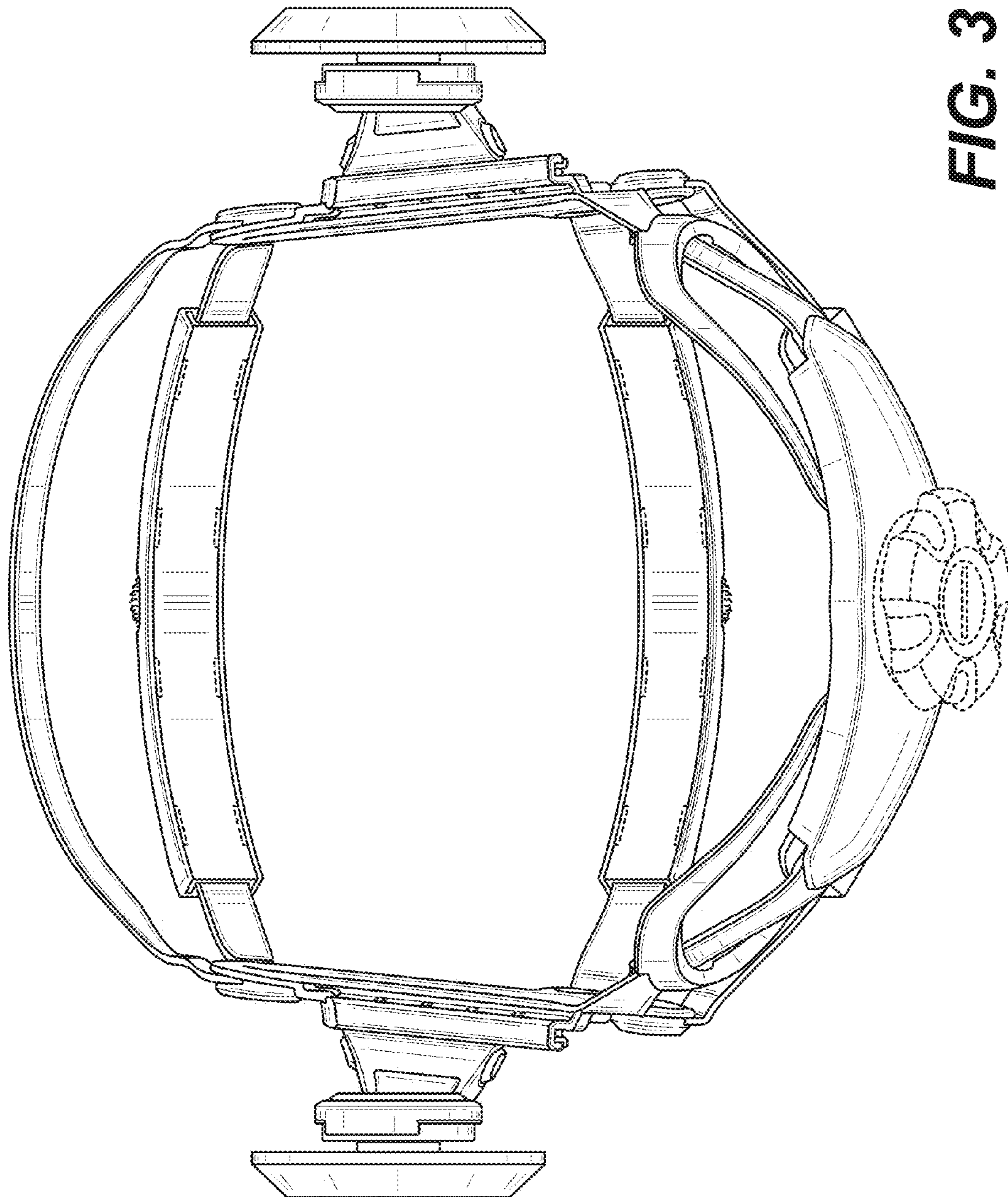


FIG. 3

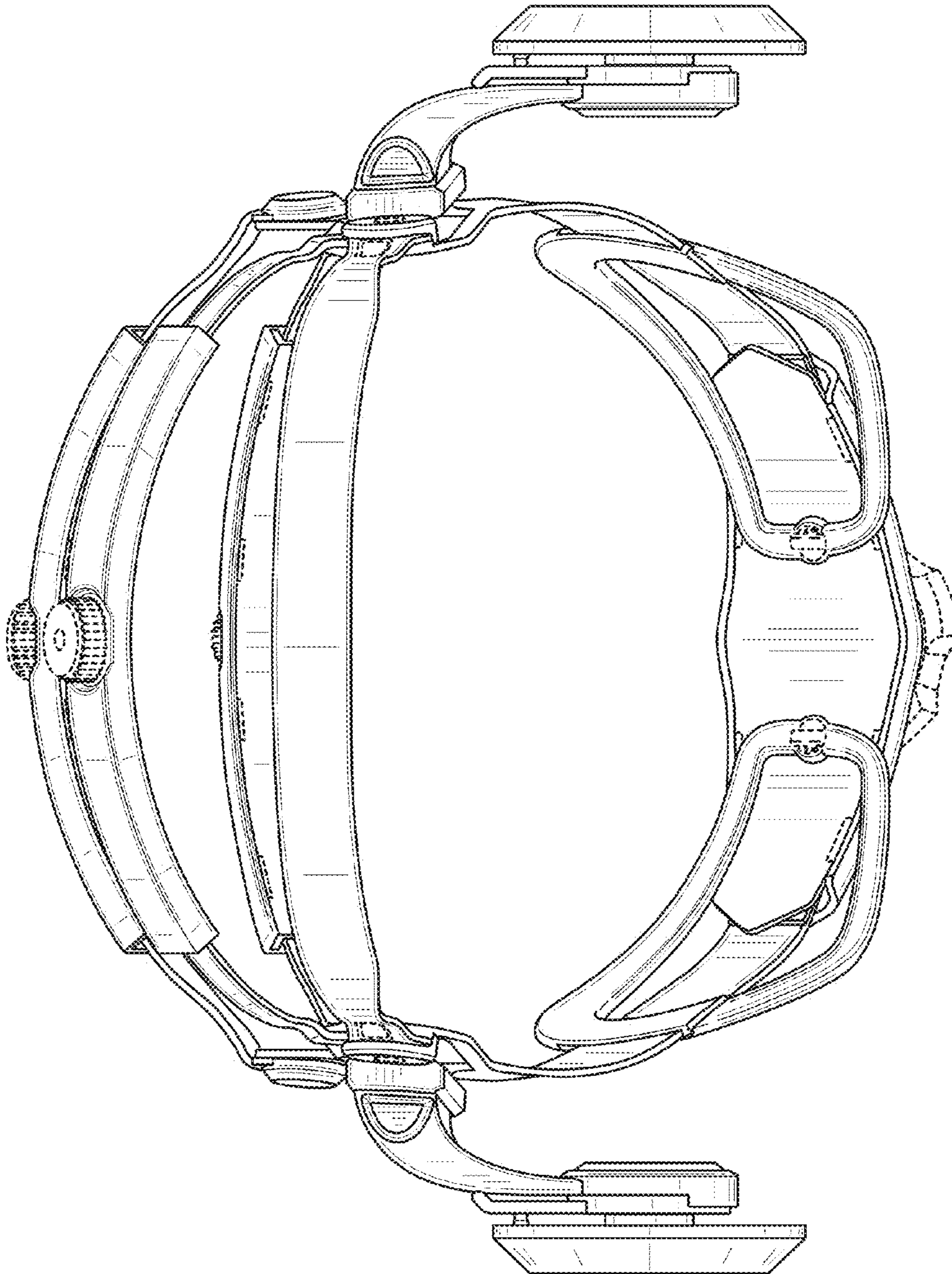


FIG. 4

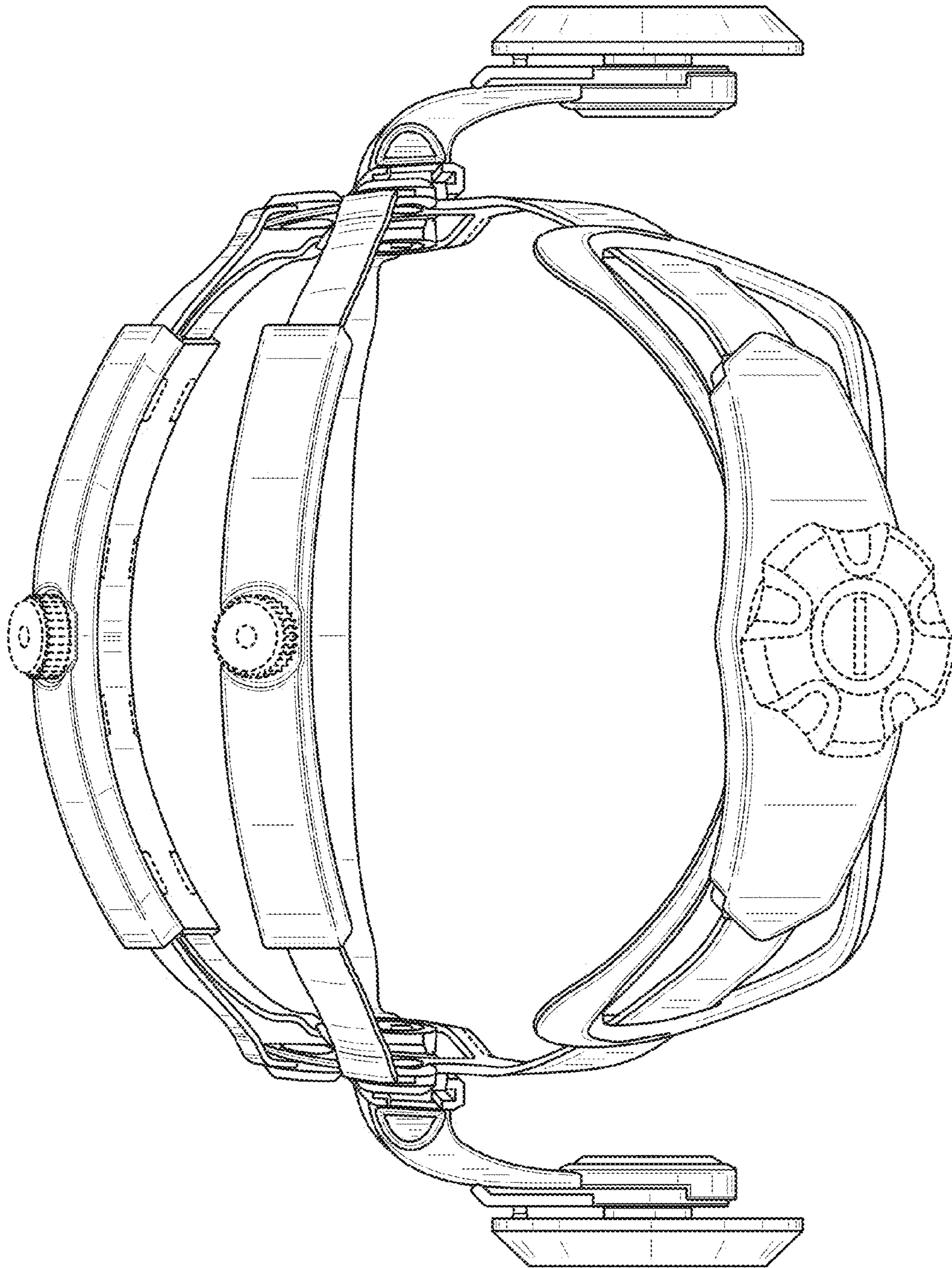


FIG. 5

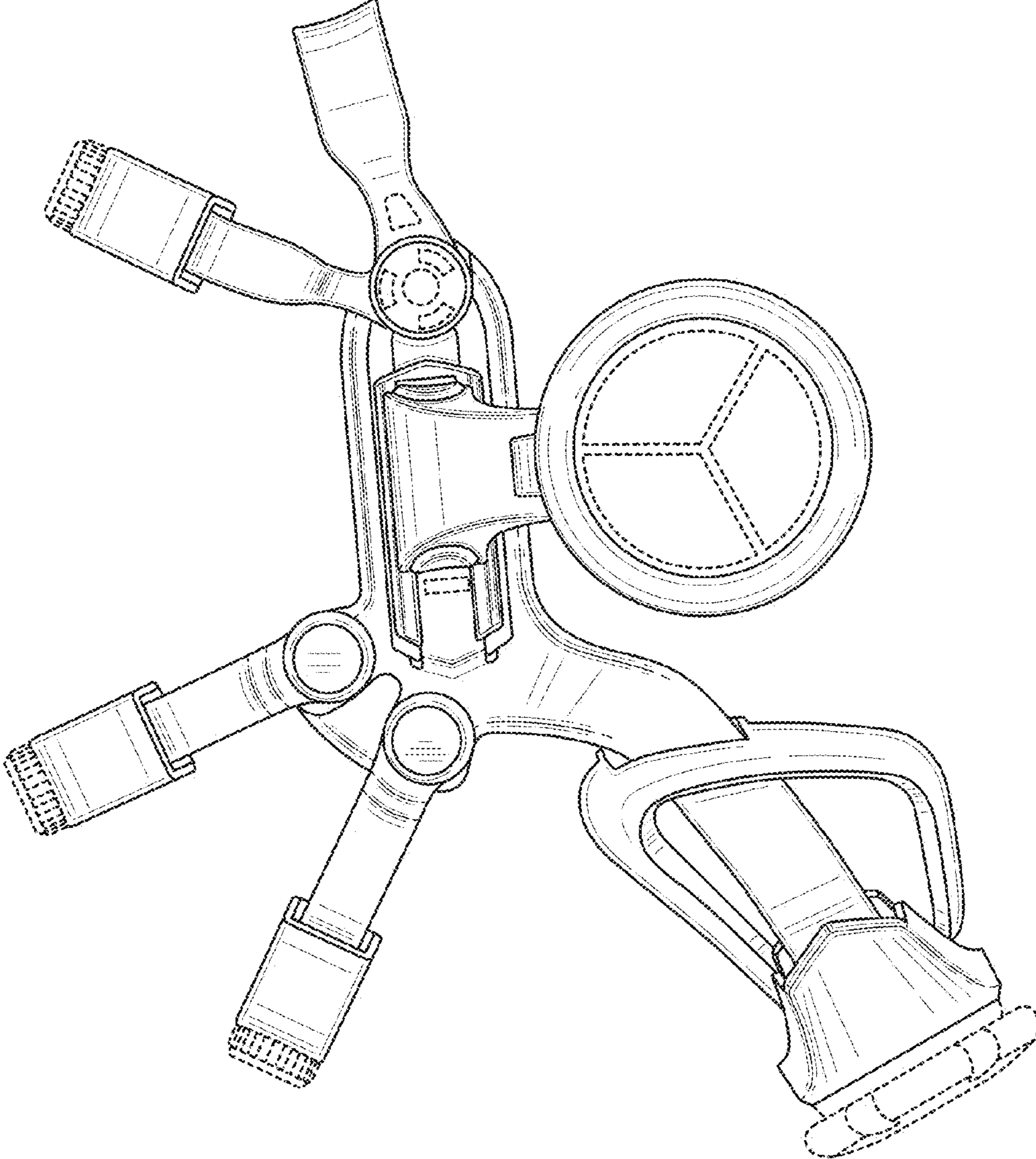


FIG. 6

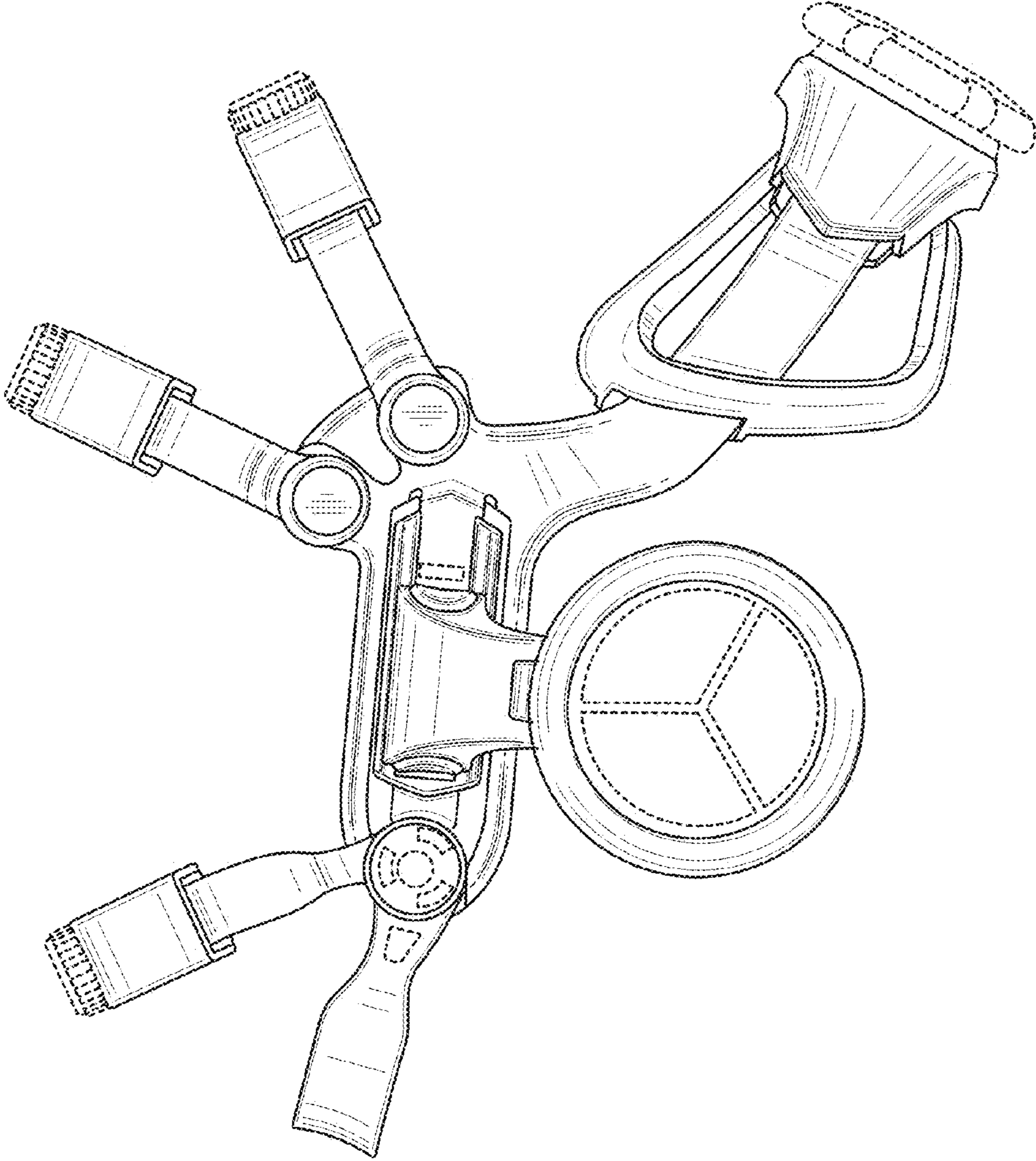


FIG. 7