

US00D767826S

(12) **United States Design Patent**
Lobo

(10) **Patent No.:** **US D767,826 S**

(45) **Date of Patent:** **** Sep. 27, 2016**

(54) **ADJUSTABLE SAFETY HELMET**

(71) Applicant: **Candida Jennifer Lobo**, Dubai (AE)

(72) Inventor: **Candida Jennifer Lobo**, Dubai (AE)

(**) Term: **14 Years**

(21) Appl. No.: **29/492,561**

(22) Filed: **May 31, 2014**

(51) **LOC (10) Cl.** **09-03**

(52) **U.S. Cl.**
USPC **D29/102**

(58) **Field of Classification Search**
USPC D29/102-107, 122; D2/869-870
CPC A63B 71/10; A63B 71/222; A63B 71/04;
A63B 71/166; A63B 71/228; A63B 71/32;
A63B 71/105; A42B 3/222; A42B 3/166;
A42B 3/04; A42B 3/228; A42B 3/32; A42B
3/105; A42B 3/332

See application file for complete search history.

(56) **References Cited**

U.S. PATENT DOCUMENTS

D417,754 S	*	12/1999	Berger	D29/102
D471,673 S	*	3/2003	Berger	D29/102
D495,093 S	*	8/2004	Tintera	D29/102
D533,312 S	*	12/2006	Bouchez	D29/102
D583,101 S	*	12/2008	Forsyth-Gibson	D29/106
D583,516 S	*	12/2008	Rodgers	D29/122
D651,354 S	*	12/2011	Santini	D29/102
D655,047 S	*	2/2012	Frary	D29/102
D661,026 S	*	5/2012	Santini	D29/102
D663,073 S	*	7/2012	Santini	D29/102
D663,074 S	*	7/2012	Santini	D29/102
D668,394 S	*	10/2012	Santini	D29/102
D672,094 S	*	12/2012	Santini	D29/102

D678,618 S	*	3/2013	Ratner	D29/107
D695,965 S	*	12/2013	Ratner	D29/102
D716,502 S	*	10/2014	Meneses	D29/102

OTHER PUBLICATIONS

<http://cdn.trendhunterstatic.com/thumbs/kid-helmets.jpeg>.
http://www.rollsport.com/media/catalog/product/cache/1/small_image/163x163/9df78eab33525d08d6e5fb8d27136e95/mig_binaryCA2DSUAV.jpg.
US Trademark Registration No. 86210320; Mark—Safehead Freedom for Little Explorers.

* cited by examiner

Primary Examiner — Ruth McInroy

(74) *Attorney, Agent, or Firm* — Peter Jensen-Haxel, Esq.

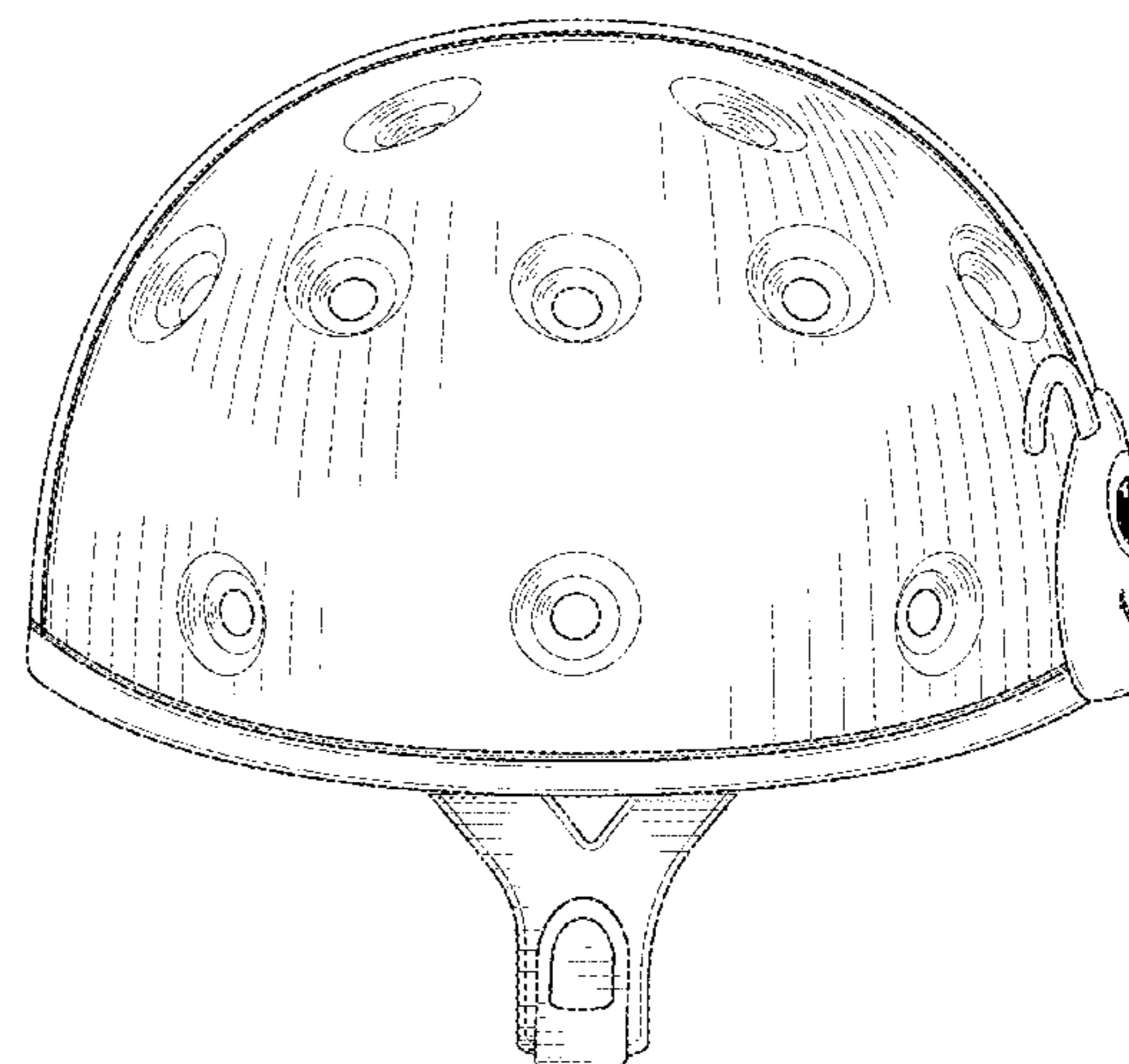
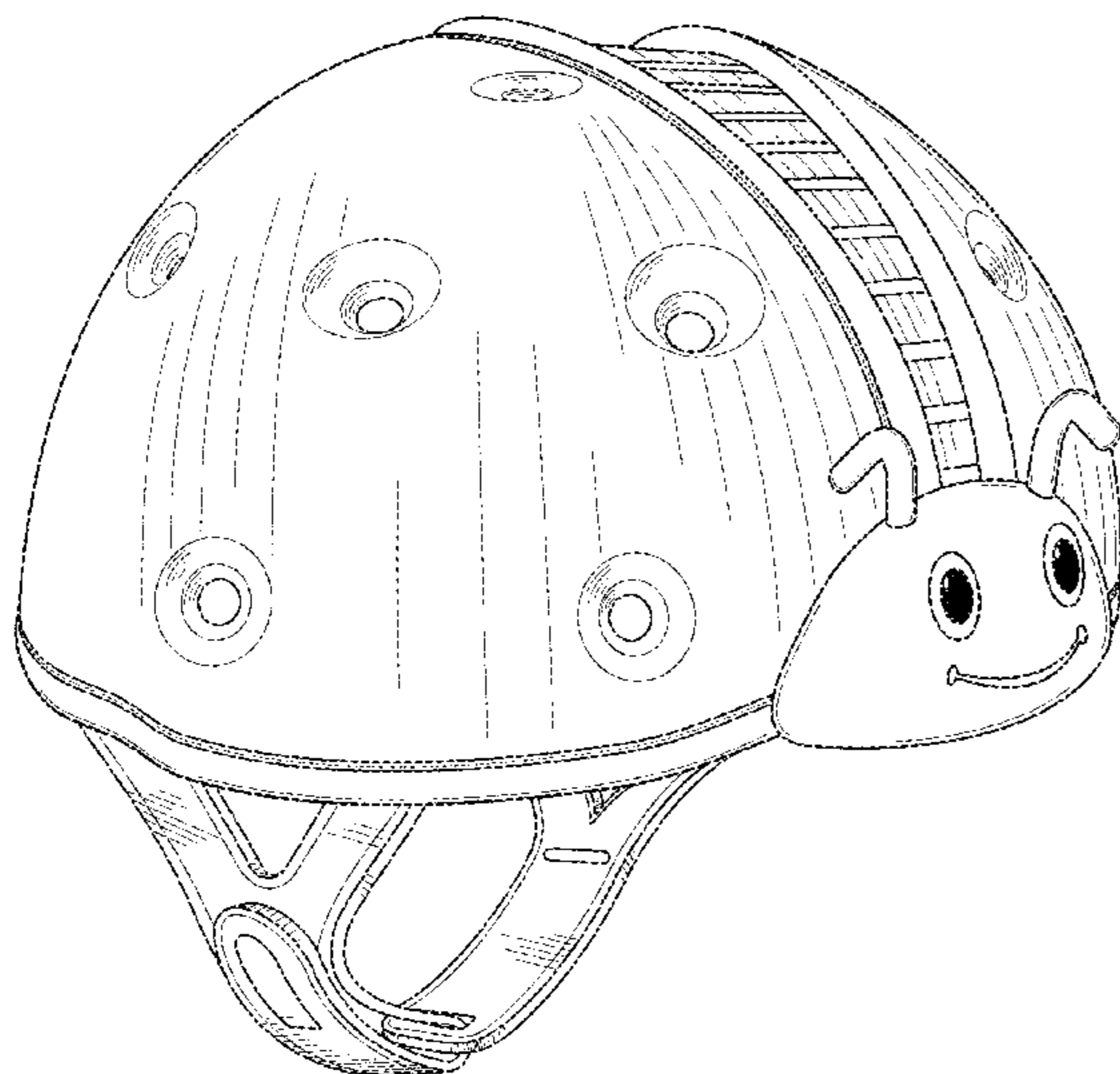
(57) **CLAIM**

The ornamental design for an adjustable safety helmet, as shown and described.

DESCRIPTION

FIG. 1 is a top, front and right-side perspective view of an adjustable safety helmet showing my new design;
FIG. 2 is a front view thereof;
FIG. 3 is a rear view thereof;
FIG. 4 is a right side view thereof;
FIG. 5 is a left side view thereof;
FIG. 6 is a top view thereof;
FIG. 7 is a bottom view thereof;
FIG. 8 is a rear view thereof in an open position;
FIG. 9 is a bottom plan view thereof in an open position;
and,
FIG. 10 is a top plan view thereof in an open position.
The details shown in broken lines form no part of the claimed design.

1 Claim, 10 Drawing Sheets



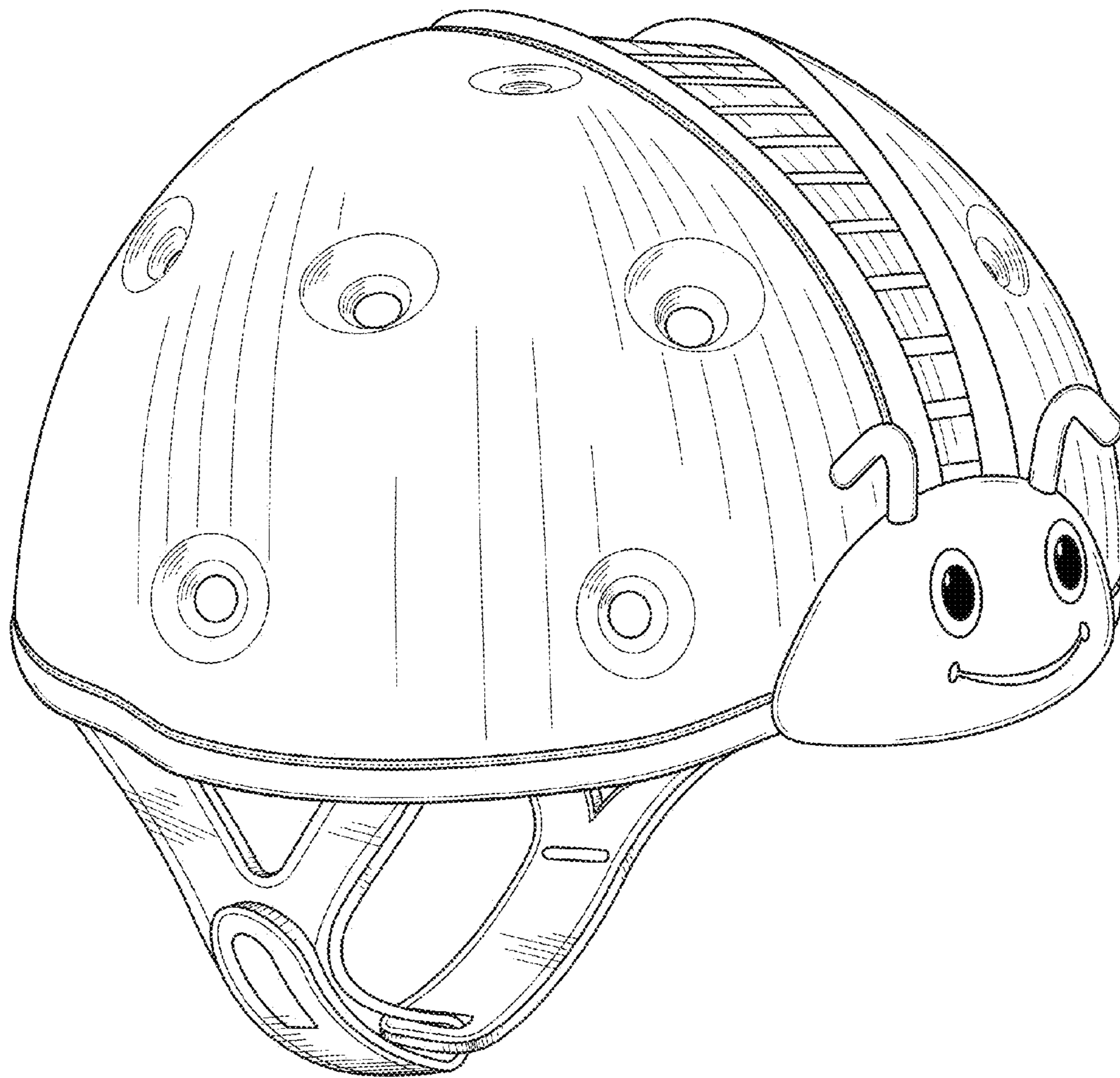


FIG. 1

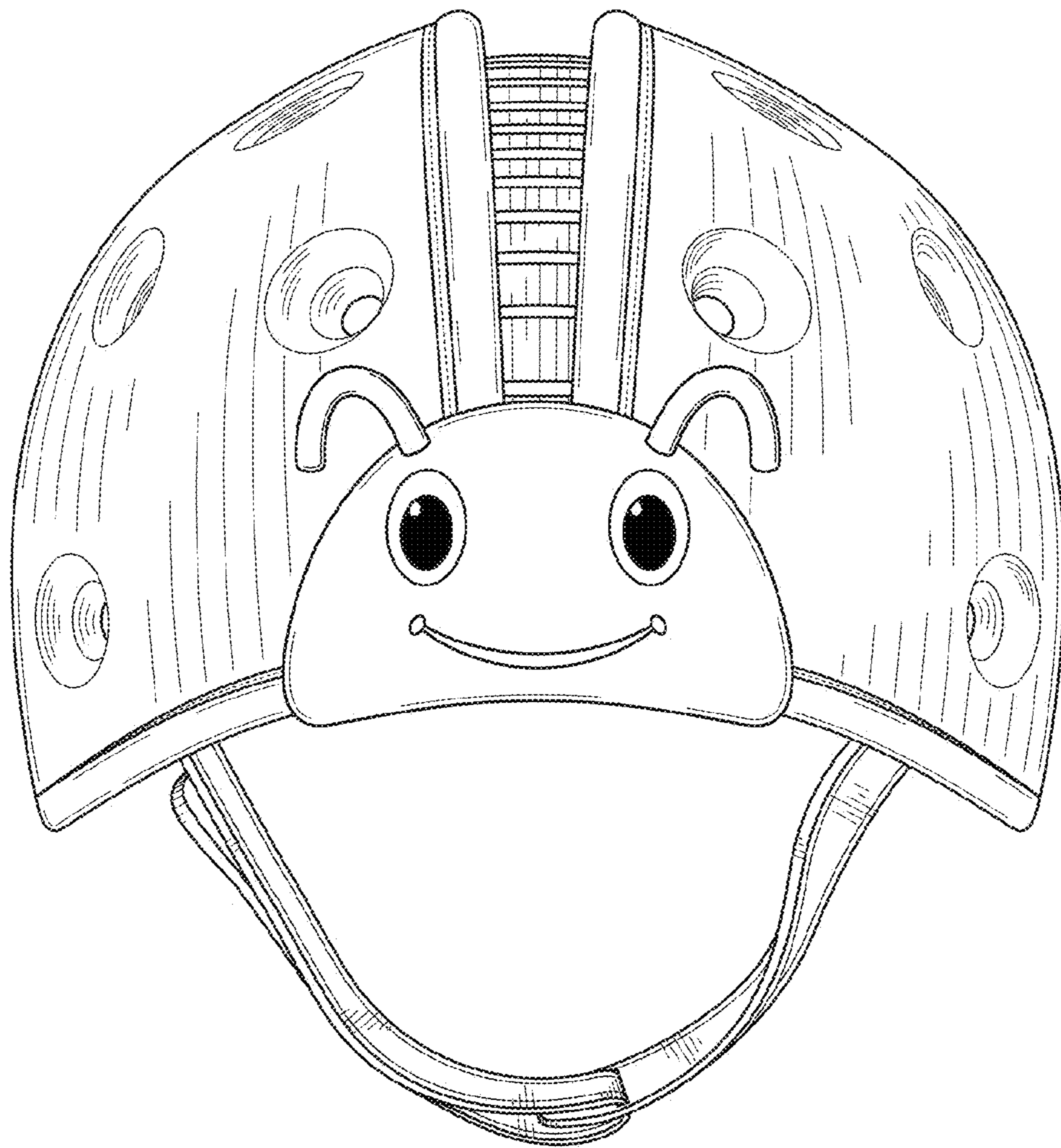


FIG. 2

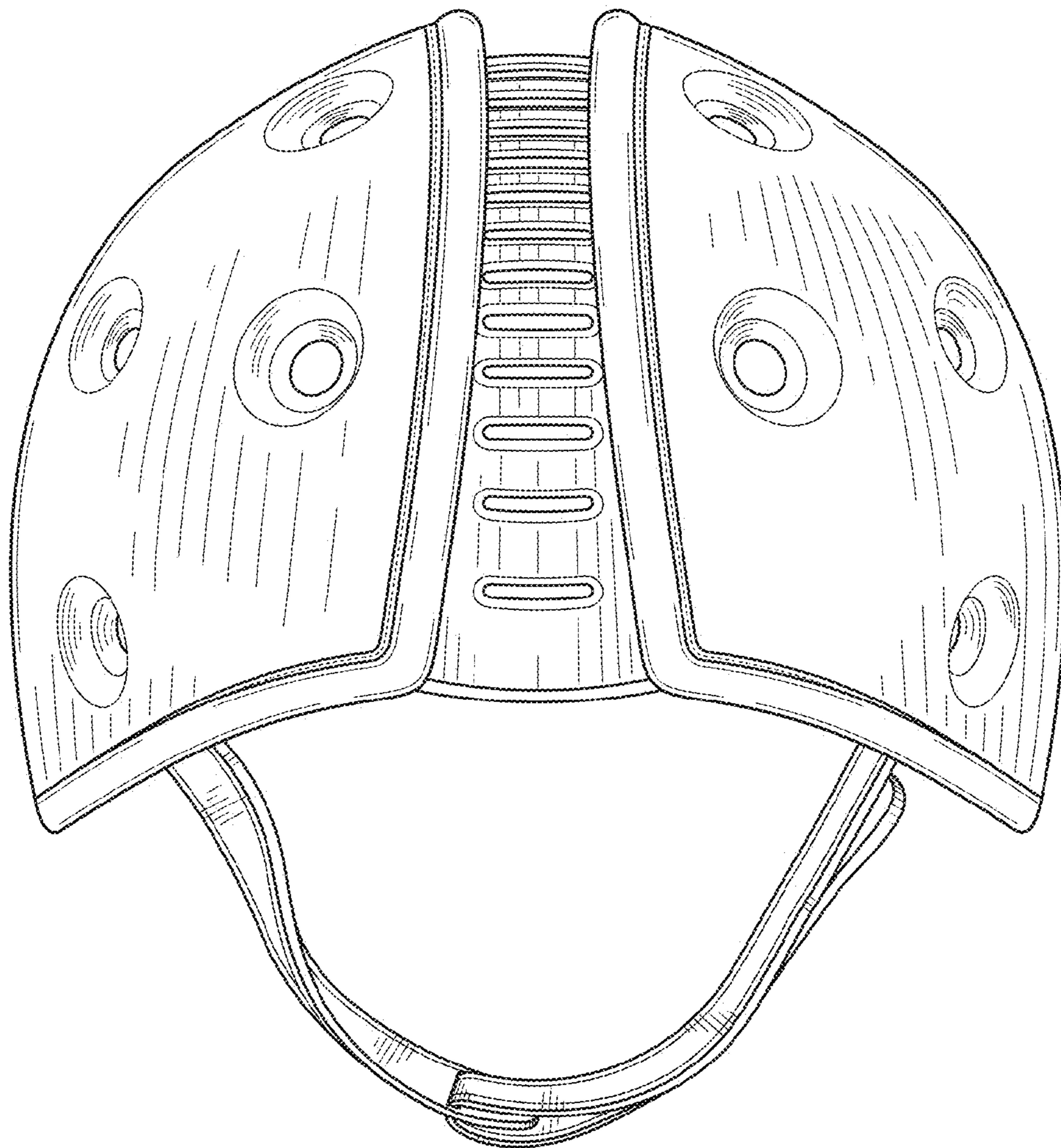


FIG. 3

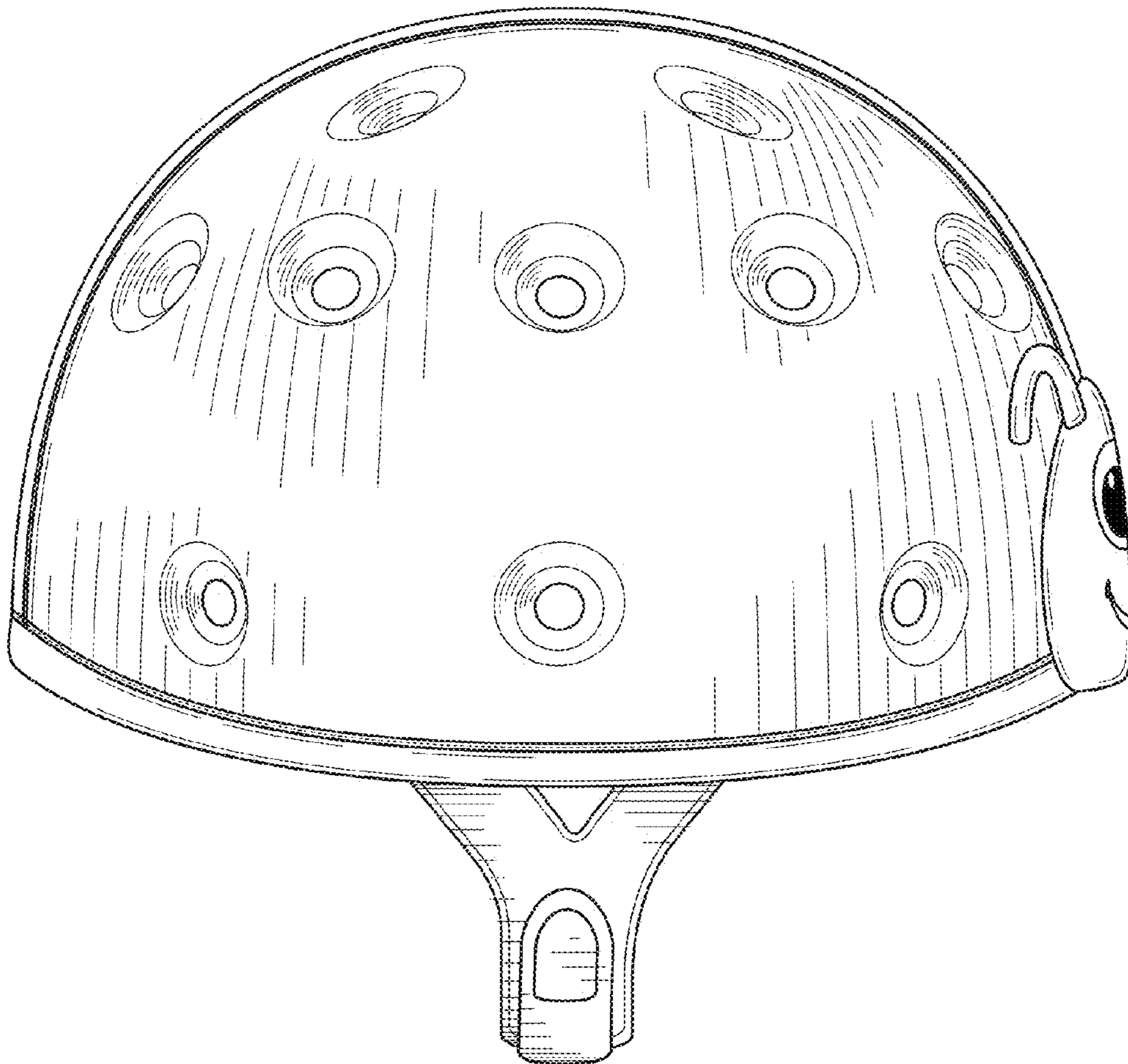


FIG. 4

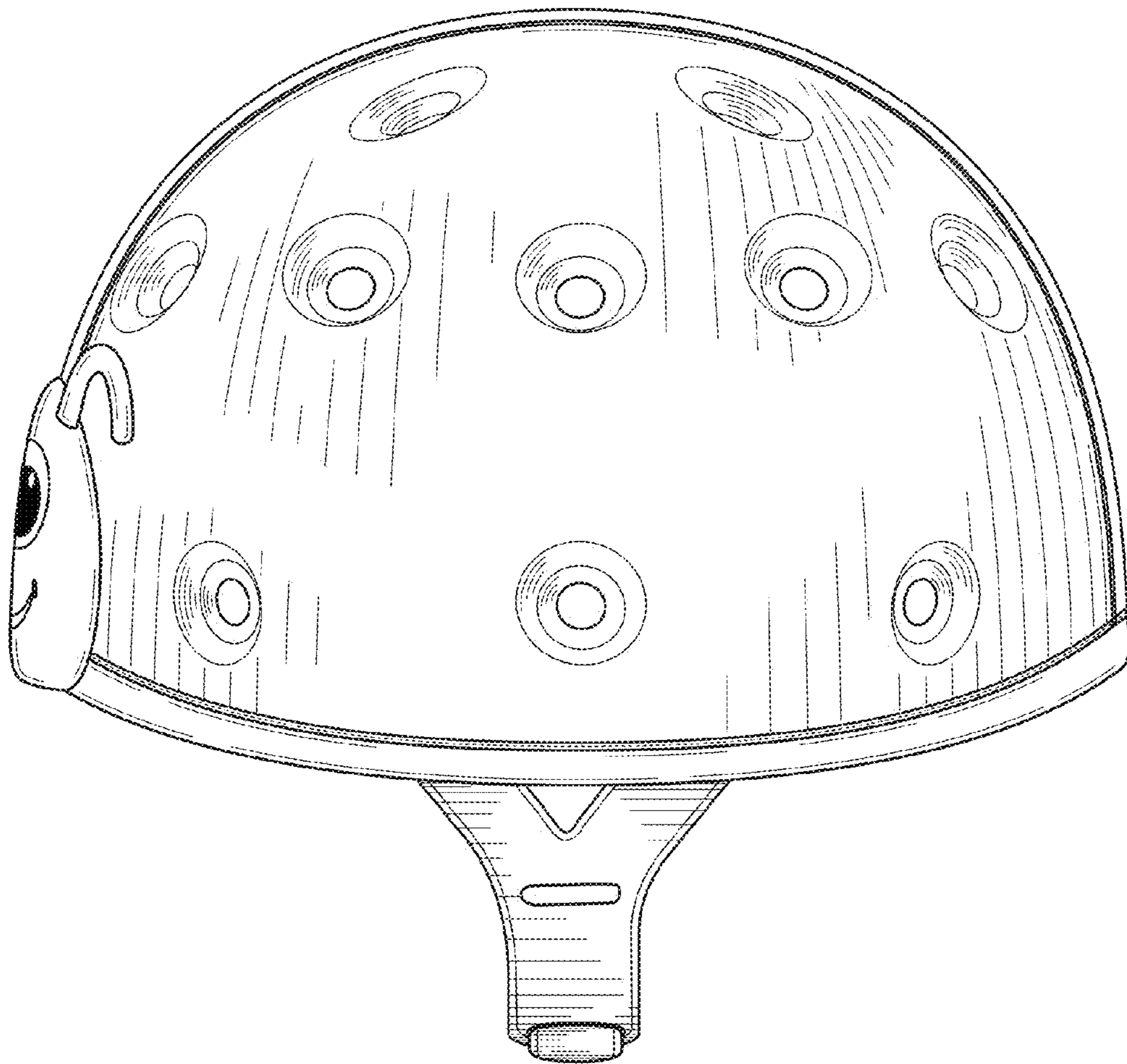


FIG. 5

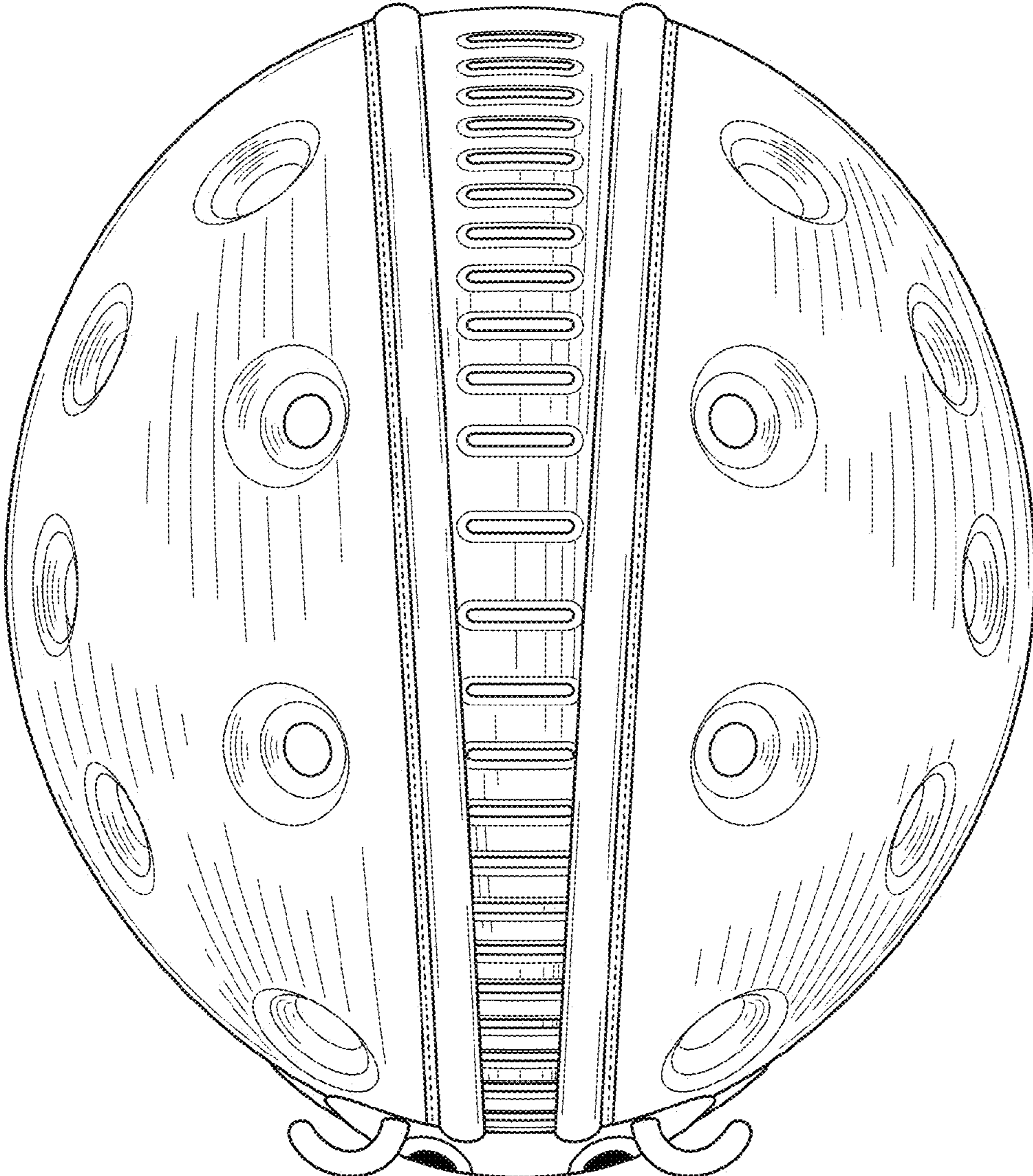


FIG. 6

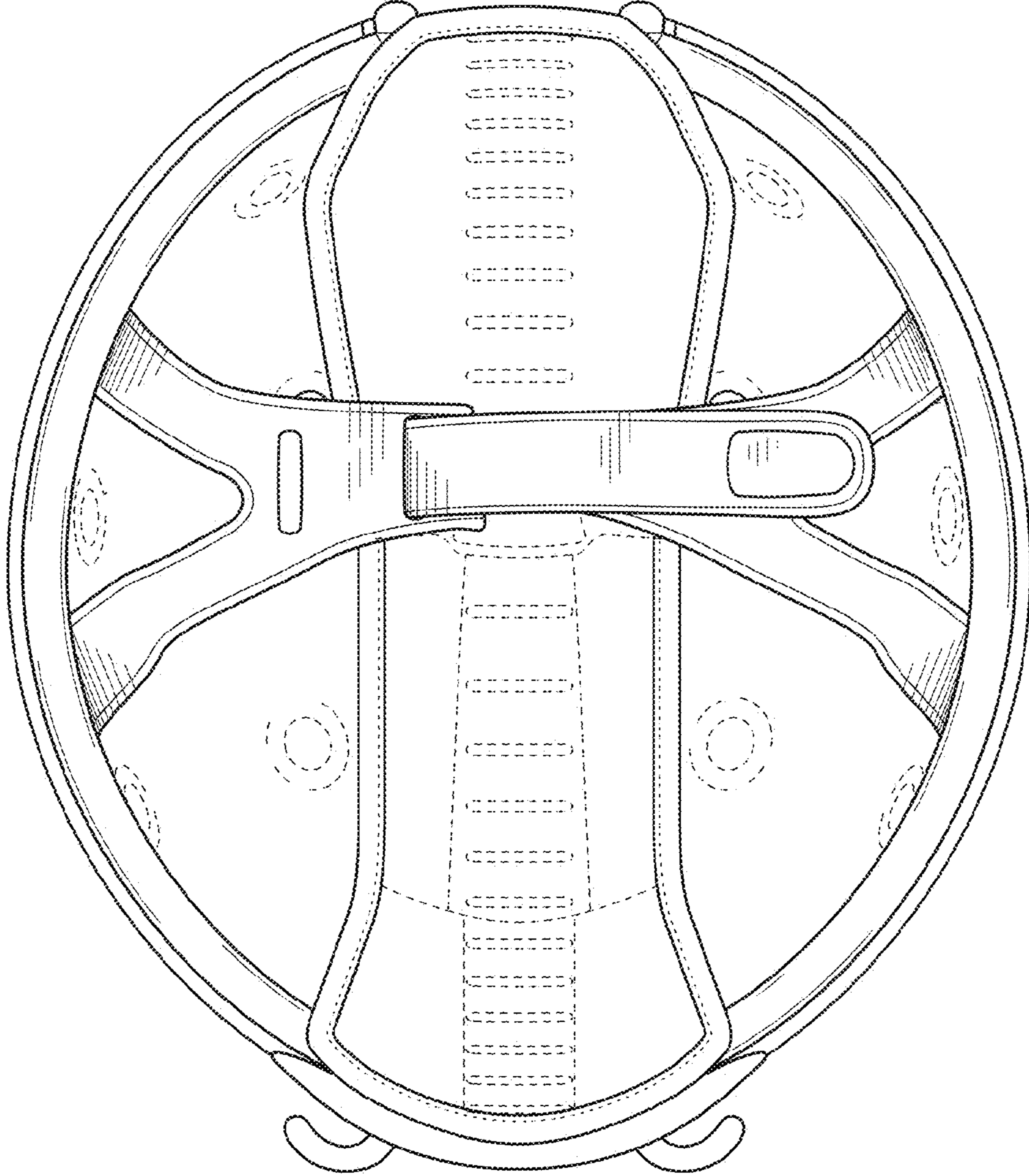


FIG. 7

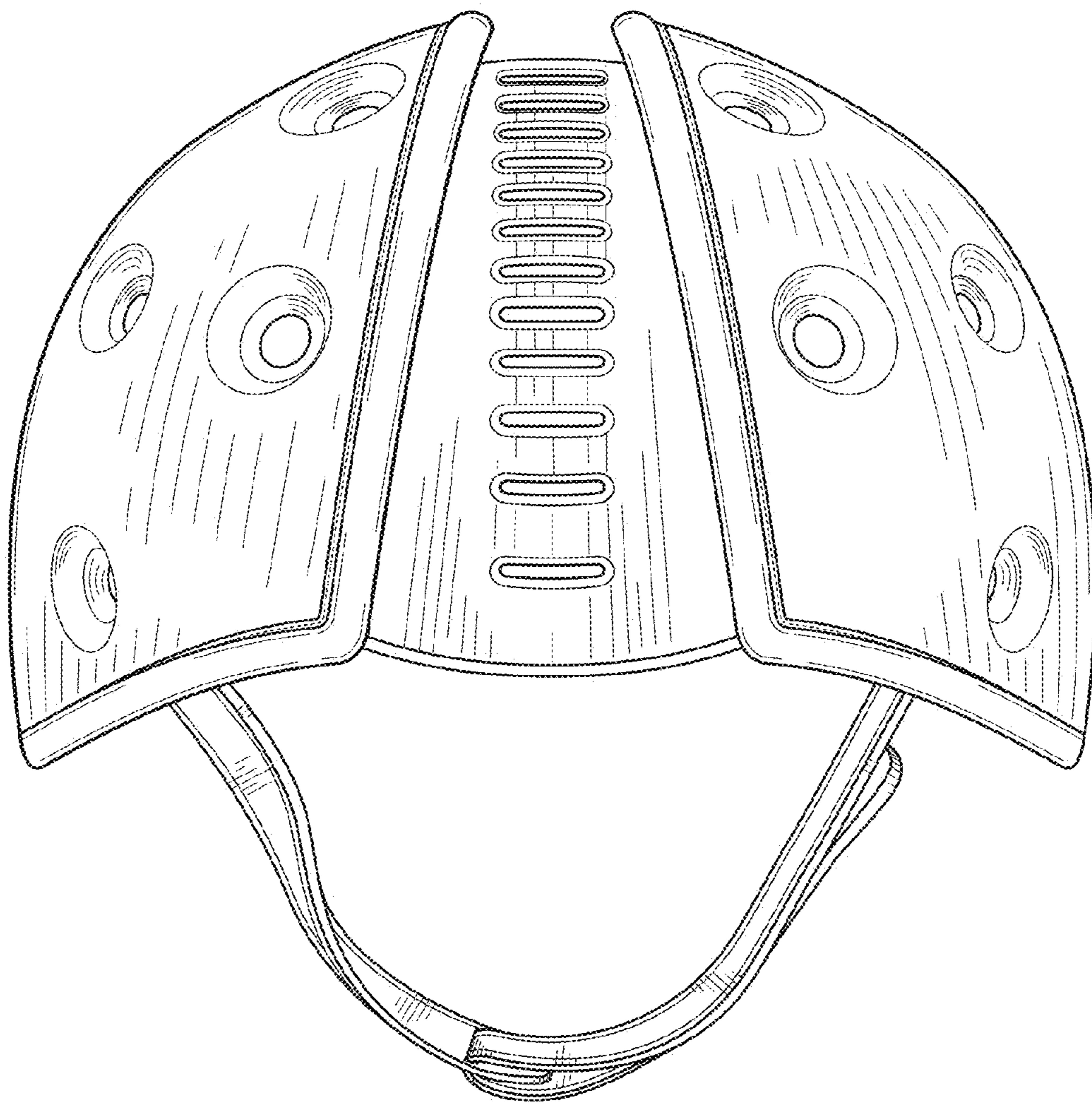


FIG. 8

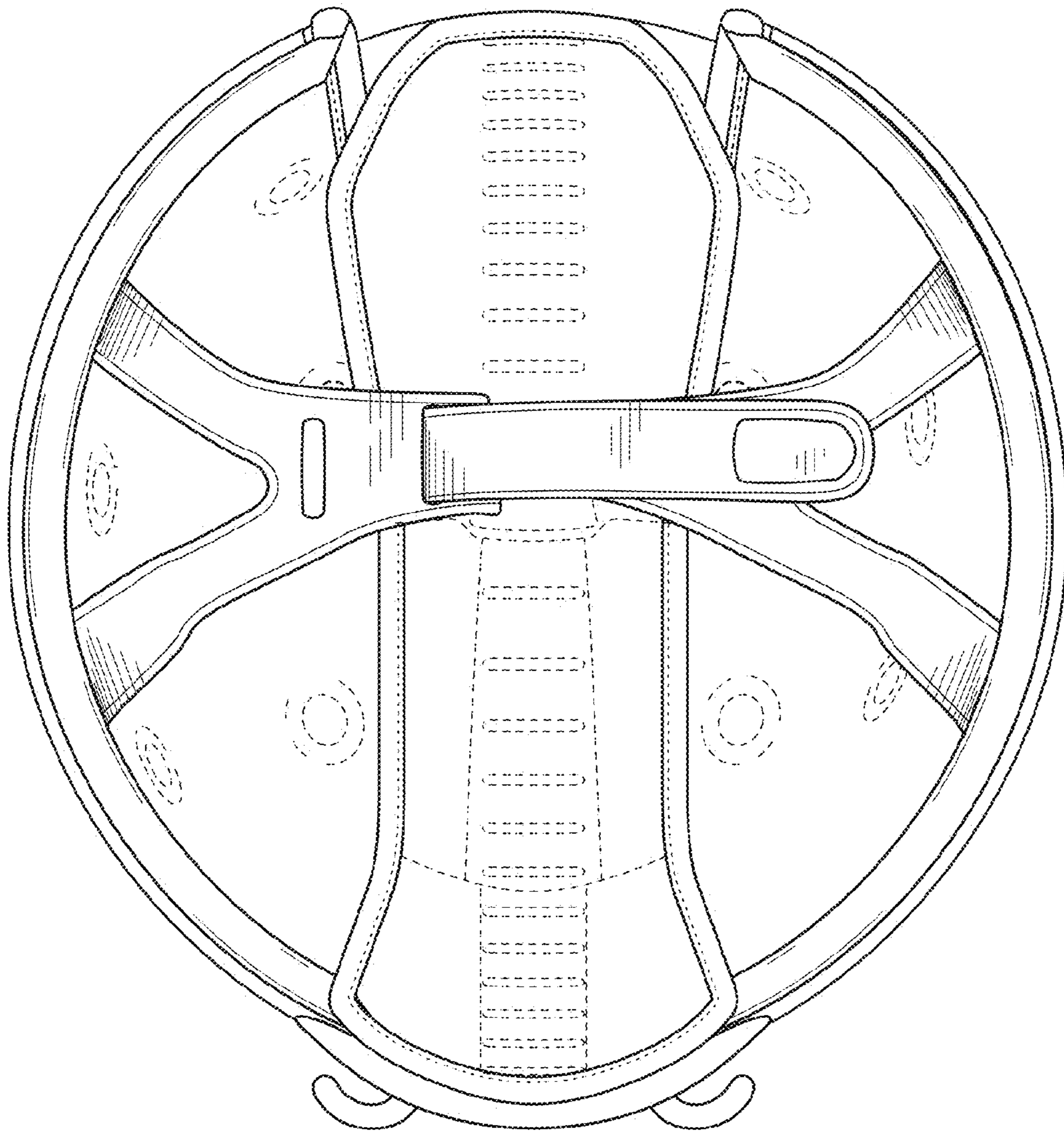


FIG. 9

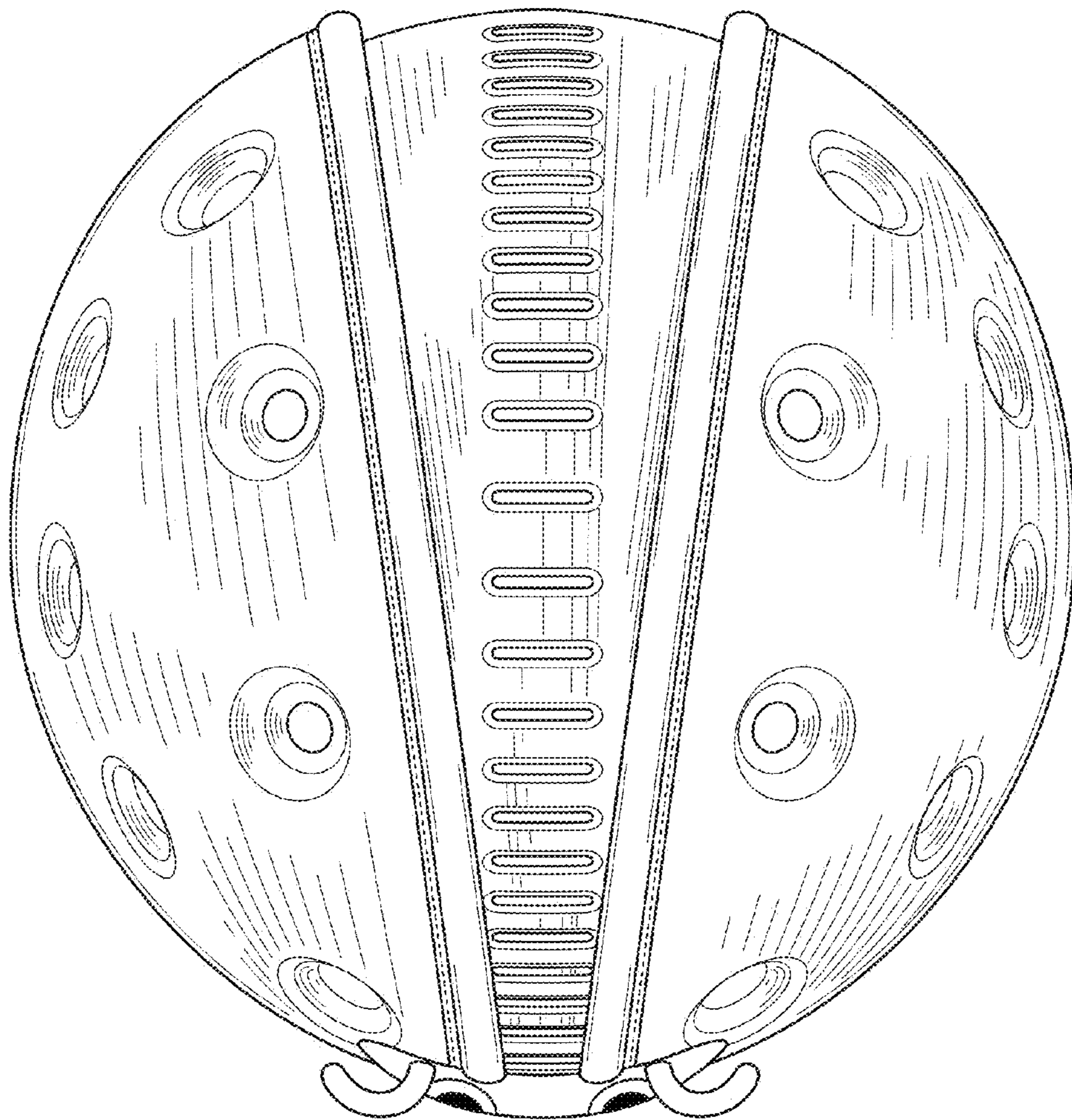


FIG. 10