



US00D767825S

(12) **United States Design Patent** (10) **Patent No.:** **US D767,825 S**
Georgeson et al. (45) **Date of Patent:** **** Sep. 27, 2016**

(54) **INFLATABLE SHOULDER PAD**

D492,819 S 7/2004 Beland

(Continued)

(71) Applicants: **Paul Brandon Georgeson**, Milwaukee, WI (US); **Vincent Peter Georgeson**, Wauwatosa, WI (US)

Primary Examiner — Randall Gholson

(74) *Attorney, Agent, or Firm* — Quarles & Brady LLP

(72) Inventors: **Paul Brandon Georgeson**, Milwaukee, WI (US); **Vincent Peter Georgeson**, Wauwatosa, WI (US)

(57) **CLAIM**

The ornamental design for an inflatable shoulder pad, as shown and described.

(**) Term: **15 Years**

DESCRIPTION

(21) Appl. No.: **29/526,798**

(22) Filed: **May 13, 2015**

(51) **LOC (10) Cl.** **29-02**

(52) **U.S. Cl.**
USPC **D29/101.2**

(58) **Field of Classification Search**
USPC D29/100, 101.1, 101.2, 101.3, 101.4,
D29/122; D3/327; 2/2, 2.5, 16, 44, 45, 102,
2/268, 459, 462; D24/190
CPC A41D 1/00; A41D 13/00; A41D 13/015;
A41D 13/0155
See application file for complete search history.

FIG. 1 is a top, left, front perspective view of a second embodiment of an inflatable shoulder pad in a deflated state embodying our new design;

FIG. 2 is a top plan view thereof;

FIG. 3 is a bottom plan view thereof;

FIG. 4 is a front elevational view thereof;

FIG. 5 is a rear elevational view thereof;

FIG. 6 is a left elevational view thereof;

FIG. 7 is a right elevational view thereof;

FIG. 8 is a top, left, front perspective view thereof positioned on a user;

FIG. 9 is a top, left, front perspective view thereof positioned on a user, the inflatable shoulder pad in an inflated state;

FIG. 10 is a top, left, front perspective view of the inflatable shoulder pad in an inflated state;

FIG. 11 is a top plan view thereof;

FIG. 12 is a bottom plan view thereof;

FIG. 13 is a front elevational view thereof;

FIG. 14 is a rear elevational view thereof;

FIG. 15 is a left elevational view thereof; and,

FIG. 16 is a right elevational view thereof.

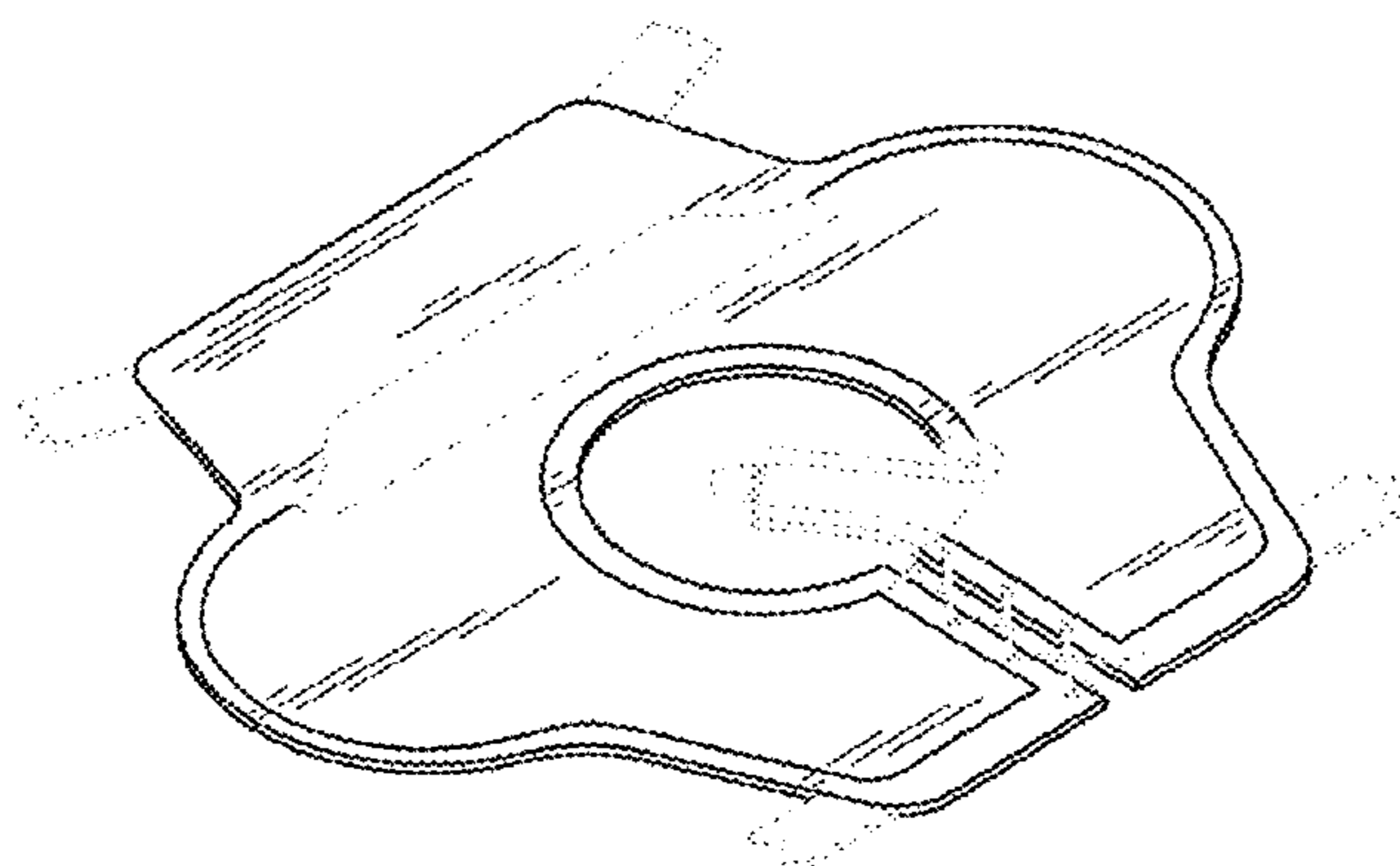
The broken lines are included for the purpose of illustrating portions of the inflatable shoulder pad that form no part of the claimed design. The broken lines showing a person wearing the inflatable shoulder pad of the present invention are included for the purpose of illustrating environment only and form no part of the claimed design. Dash-dot broken lines represent the boundary between claimed and unclaimed areas and form no part of the claimed design.

(56) **References Cited**

U.S. PATENT DOCUMENTS

3,866,241	A *	2/1975	Grant	A63B 71/081 2/462
D268,965	S	5/1983	Lebowitz		
D284,139	S	6/1986	Ko		
D284,516	S *	7/1986	Dyer	D29/101.2
D311,808	S *	11/1990	Chvilicek	D29/101.2
D317,368	S	6/1991	Henson		
5,235,703	A *	8/1993	Maynard	A41D 13/0153 2/268
D256,400	S	3/1995	Wagner		
D359,584	S	6/1995	Wickert		
D382,091	S *	8/1997	Leahy	D2/823
6,079,056	A *	6/2000	Fogelberg	A41D 13/0153 2/267
D442,487	S	5/2001	Pruitt et al.		
D457,708	S	5/2002	Holland		
D475,813	S *	6/2003	Moreno	D29/100

1 Claim, 7 Drawing Sheets



(56)

References Cited

U.S. PATENT DOCUMENTS

7,225,477 B1 *	6/2007	Rodriguez	A63B 71/12	2/461		
D606,261 S	12/2009	Tobergte					
D627,893 S *	11/2010	Weiss	D24/191			
D649,291 S	11/2011	Cappuccio					
8,359,665 B2 *	1/2013	Bruce	A41D 13/002	2/102		
D681,880 S *	5/2013	Alvarez	D29/101.3			
8,595,864 B2 *	12/2013	Orita	A41D 13/018	2/102		

* cited by examiner

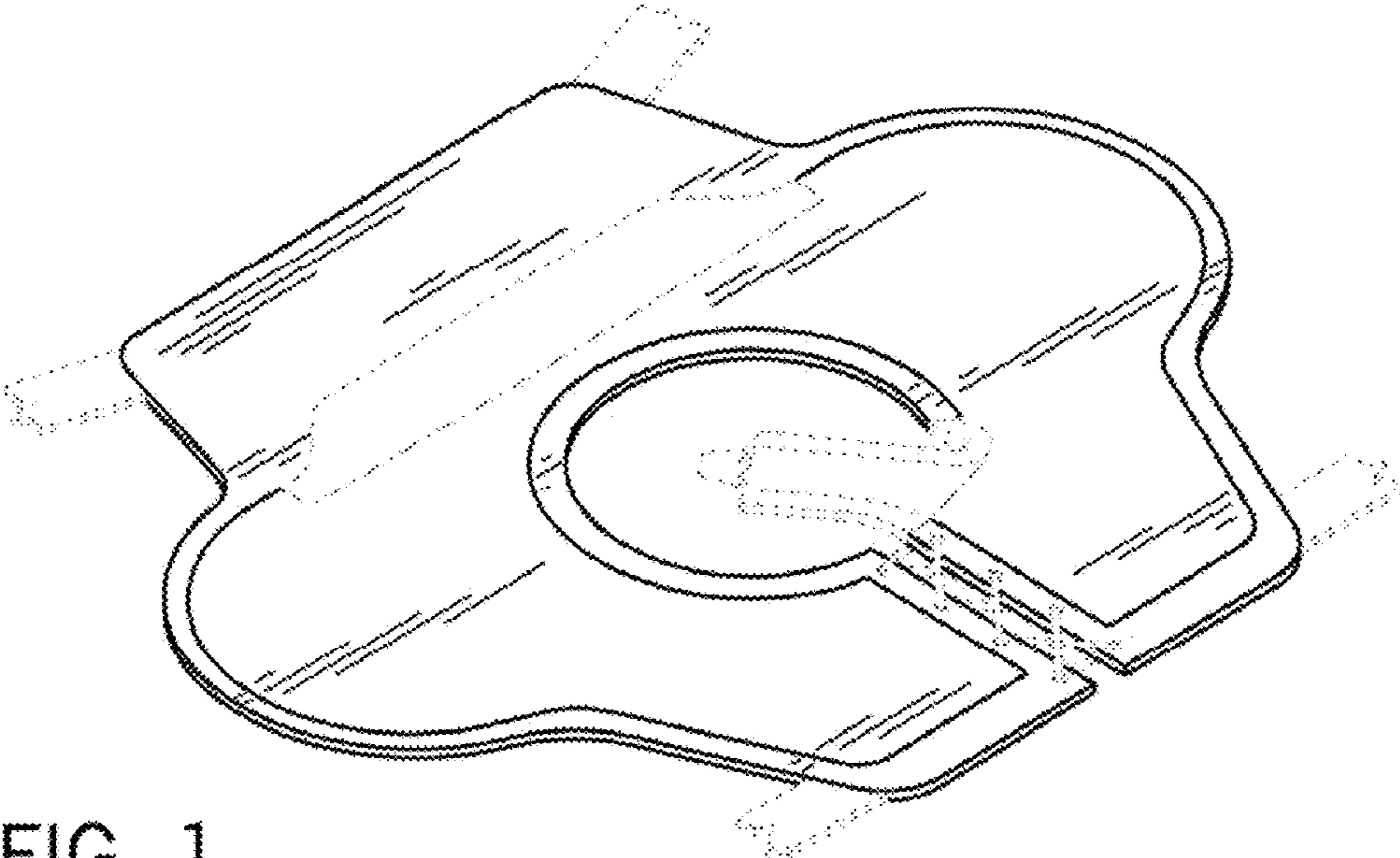


FIG. 1

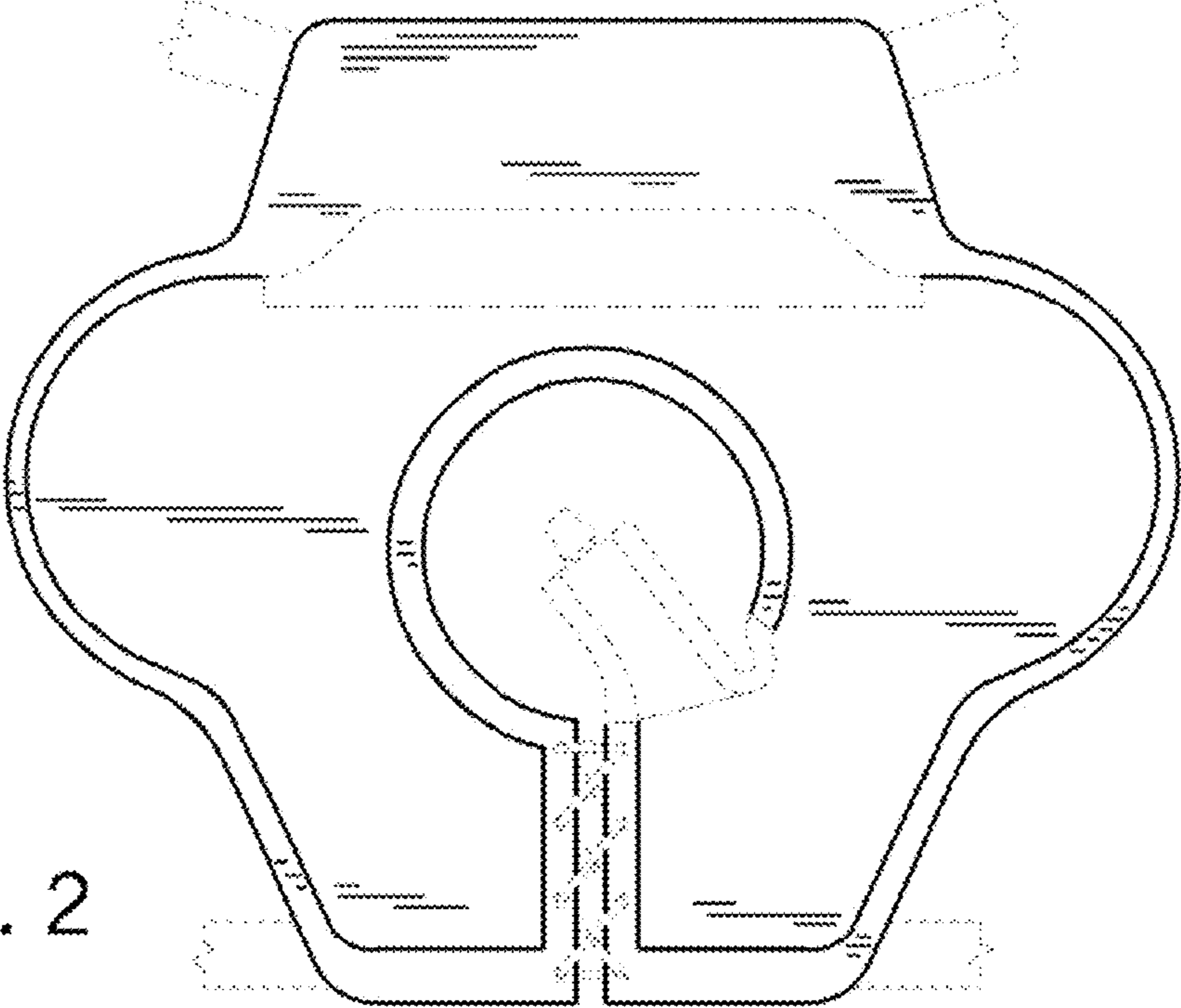


FIG. 2

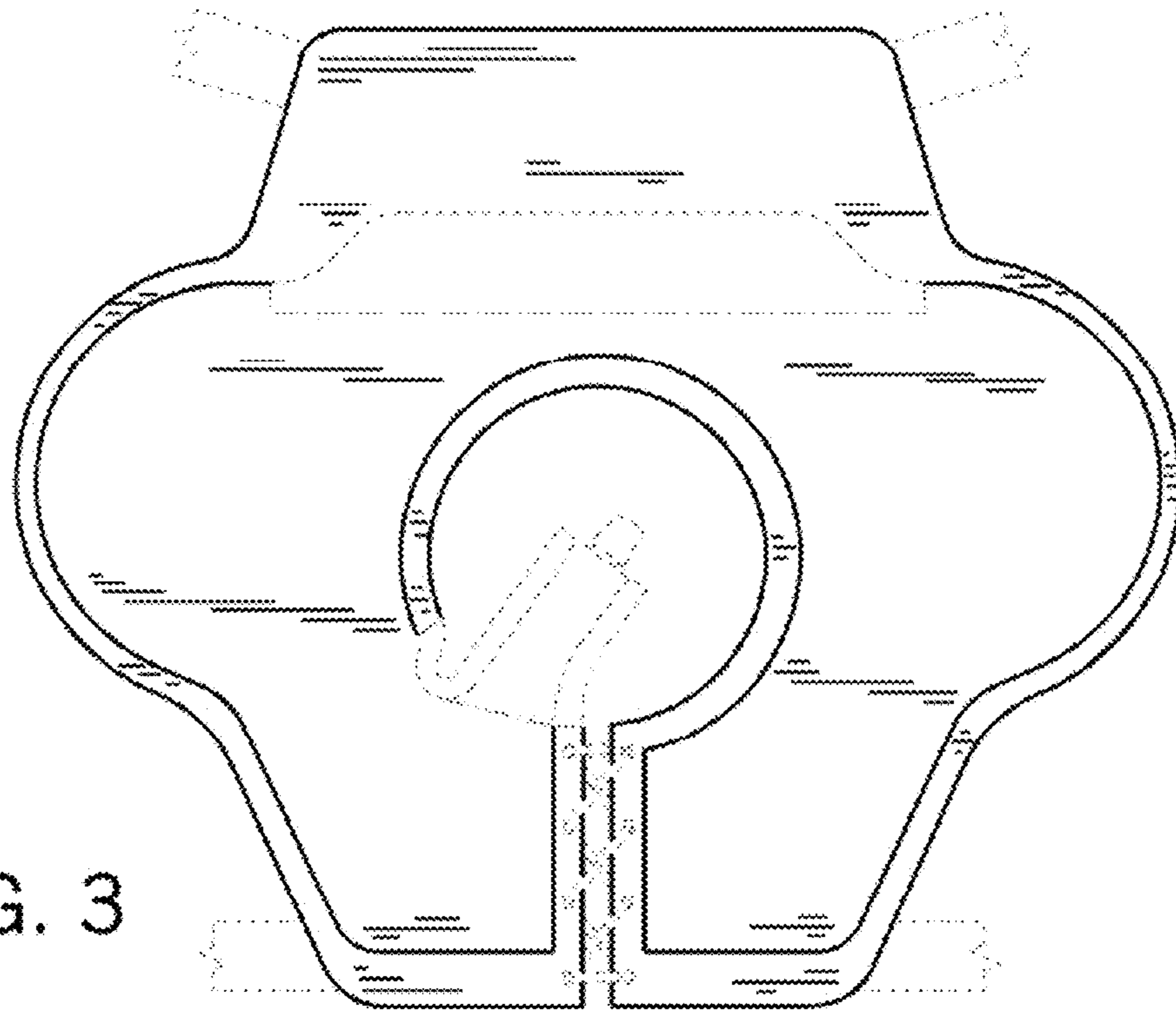


FIG. 3

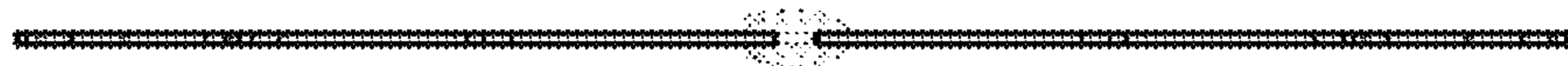


FIG. 4

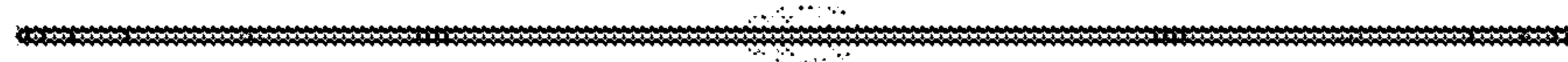


FIG. 5

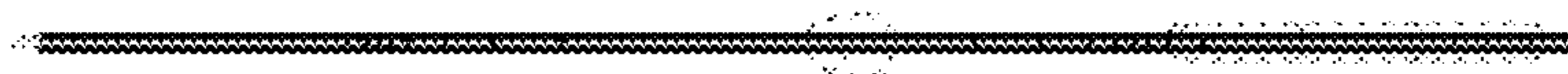


FIG. 6

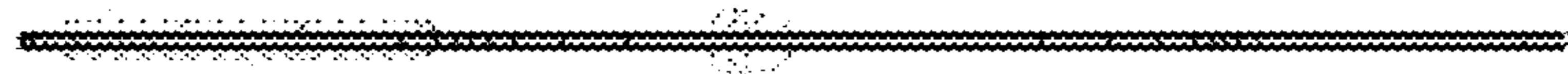


FIG. 7

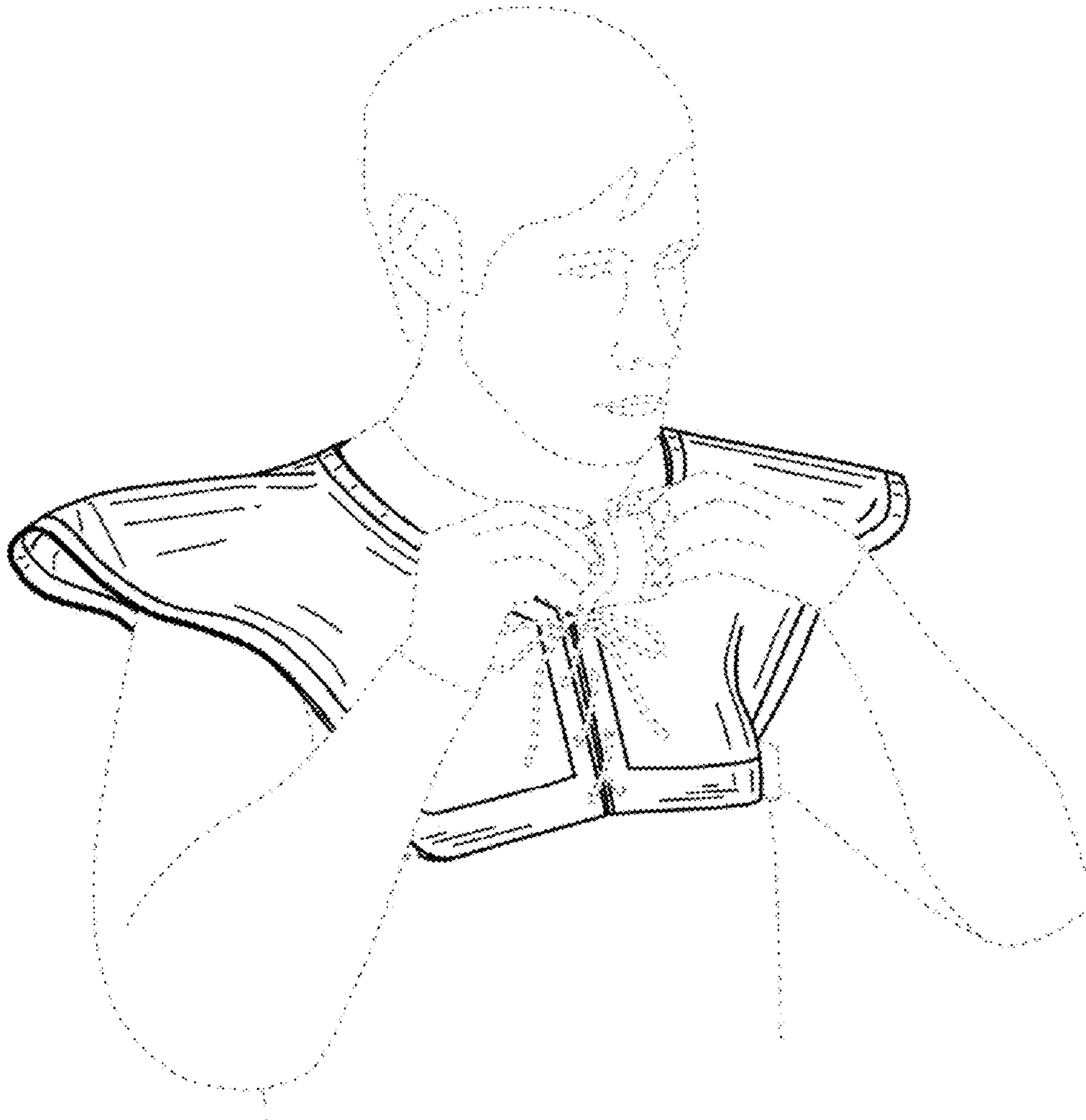


FIG. 8

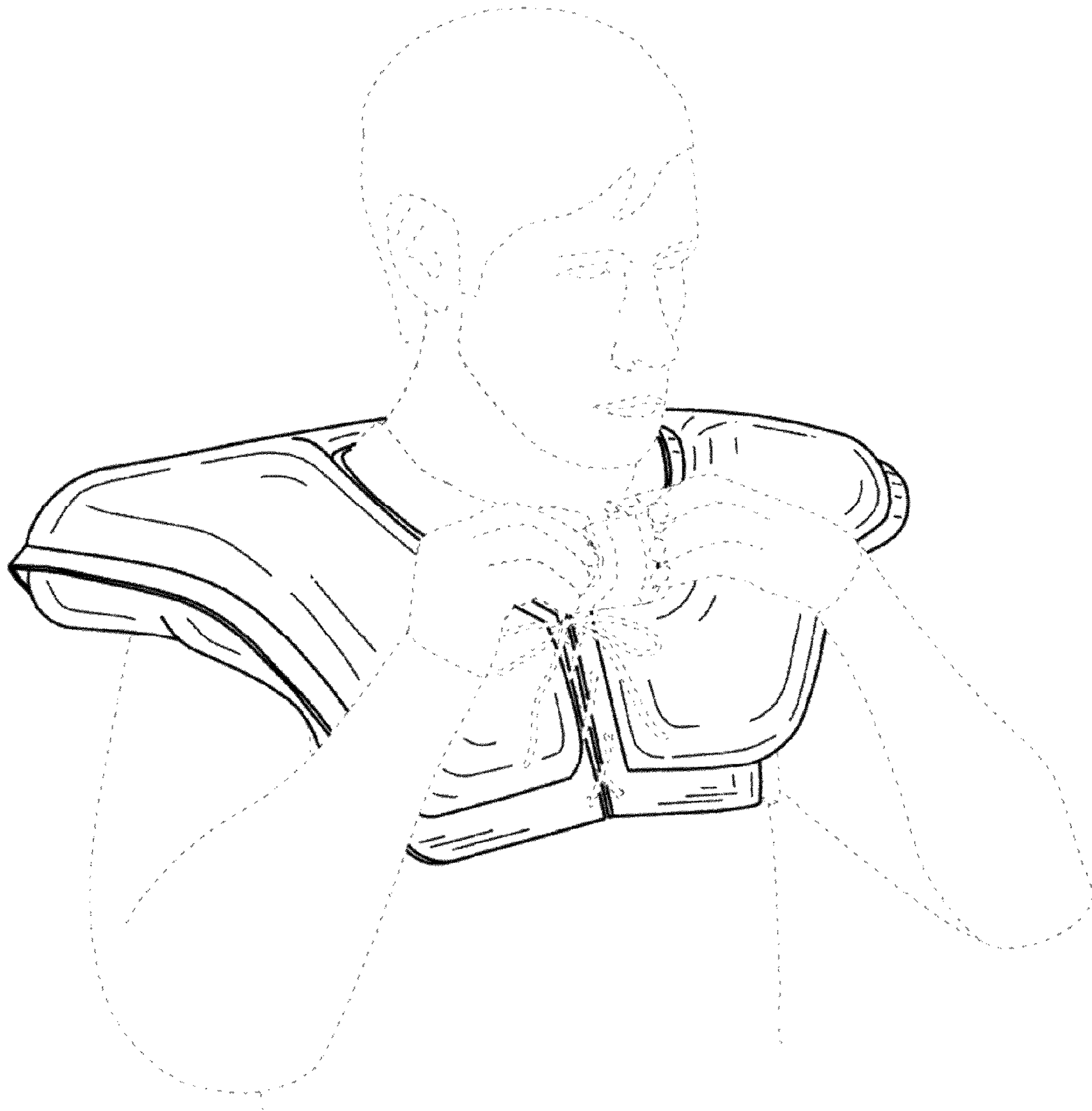


FIG. 9

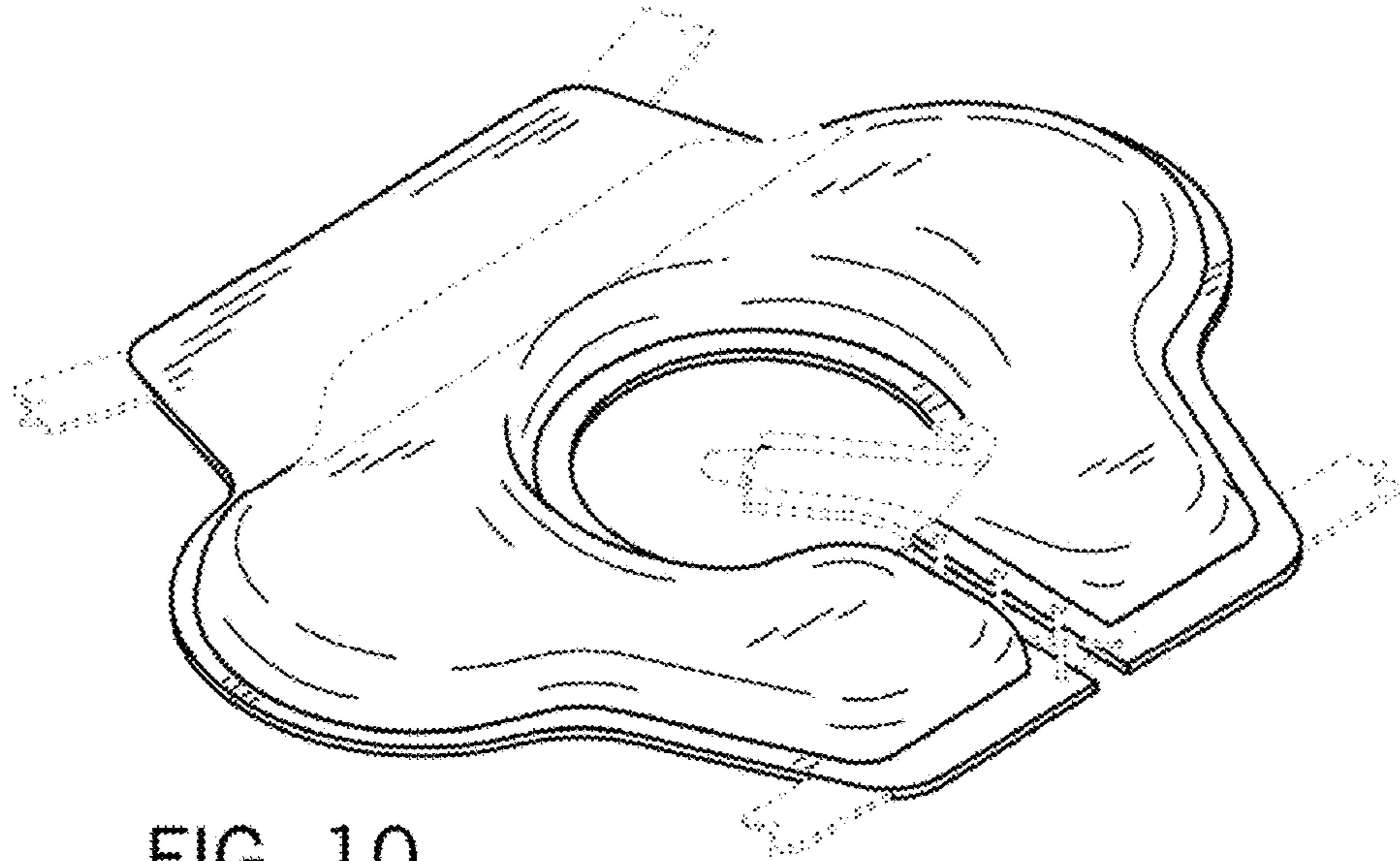


FIG. 10

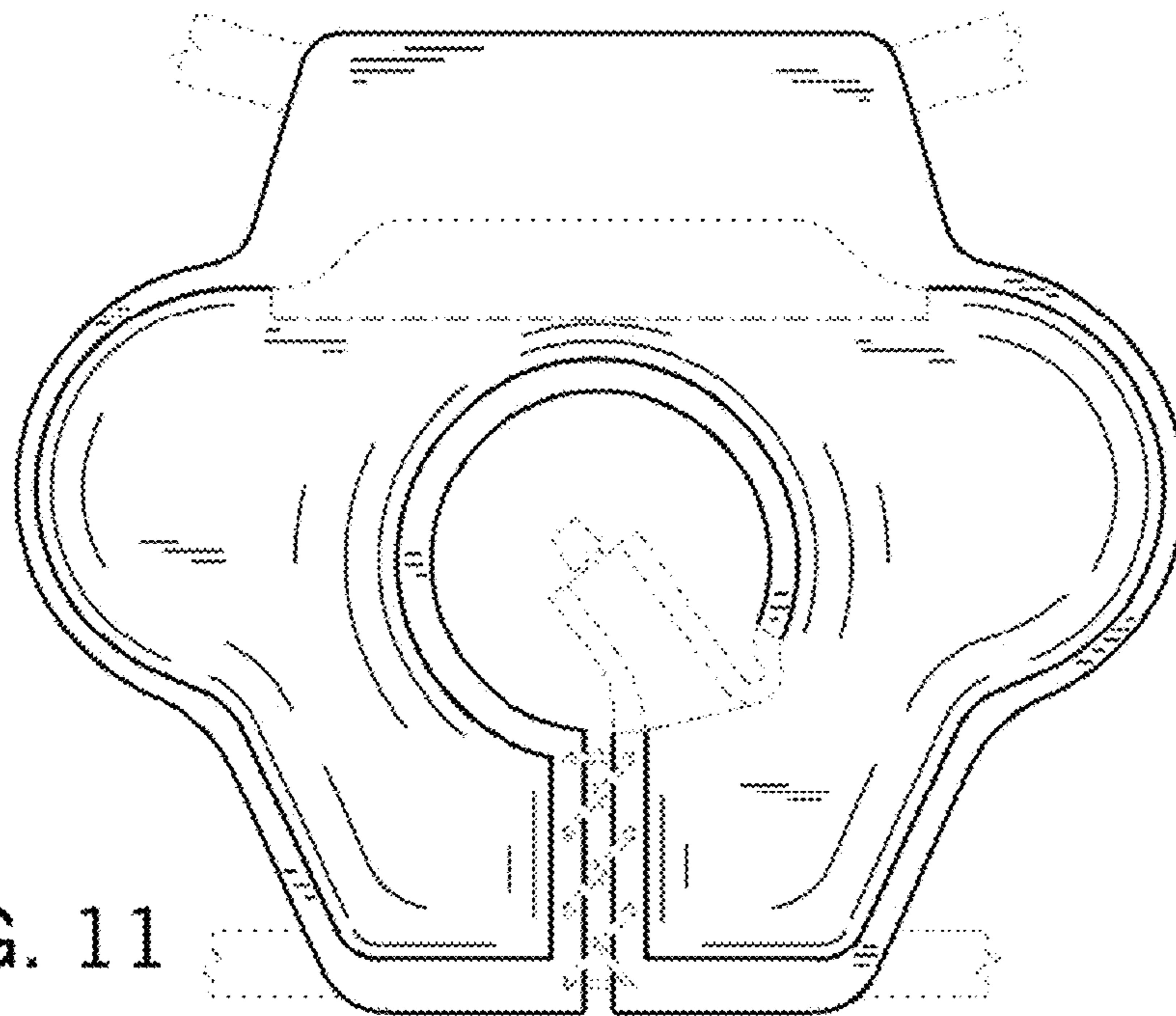


FIG. 11

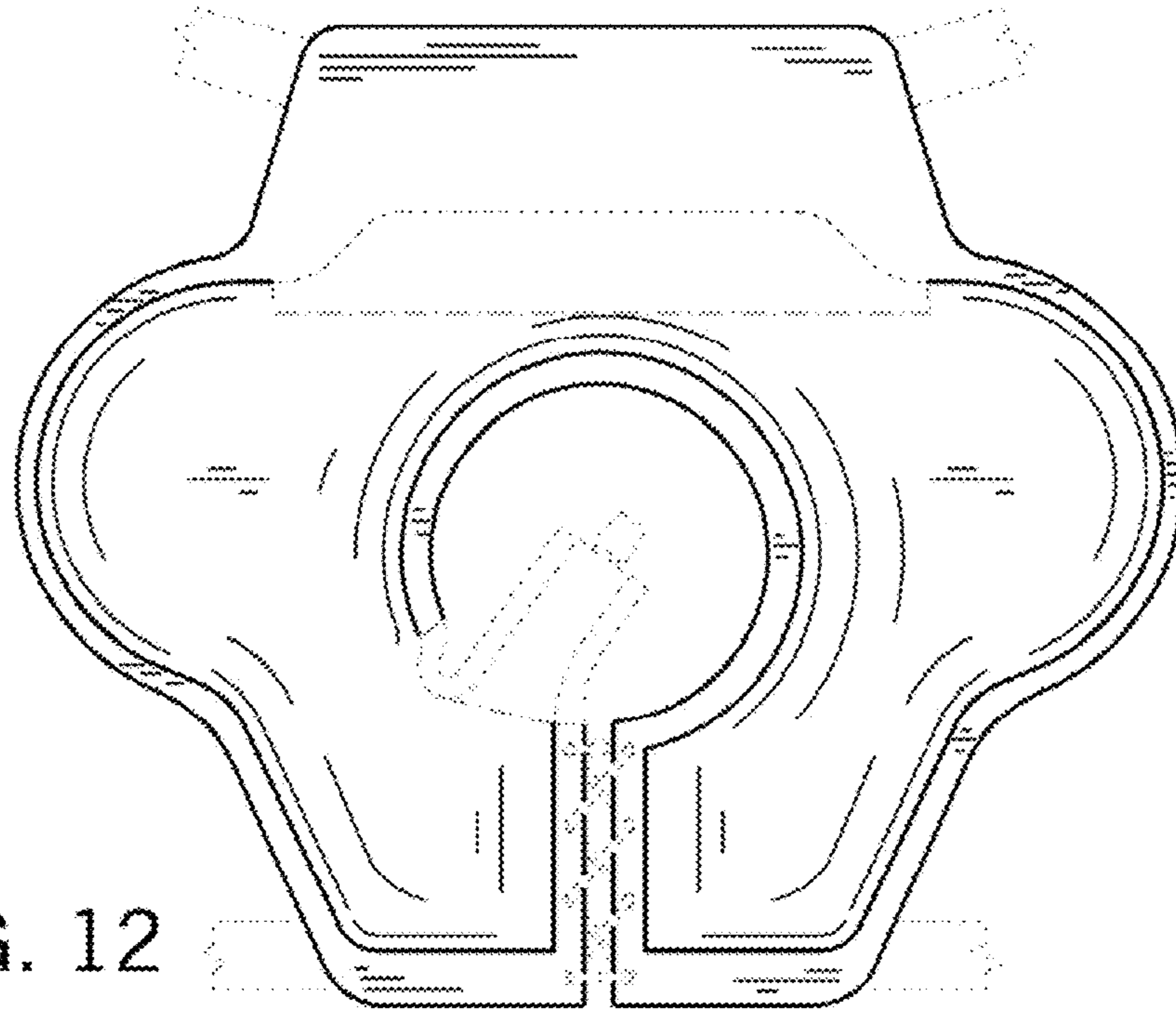


FIG. 12

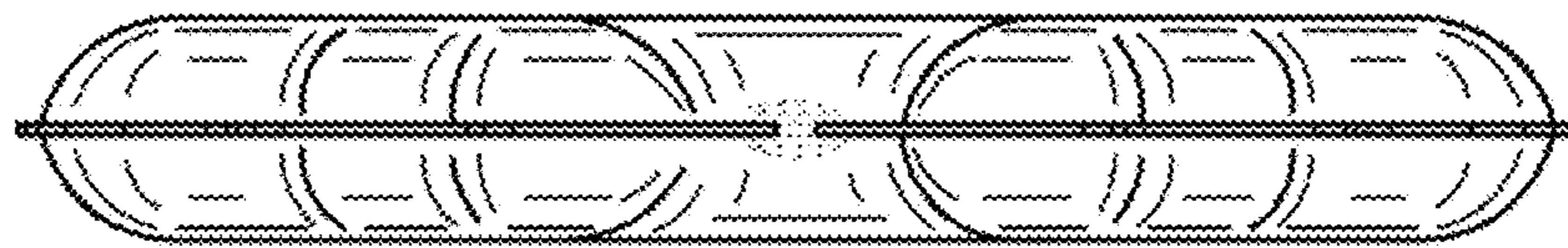


FIG. 13

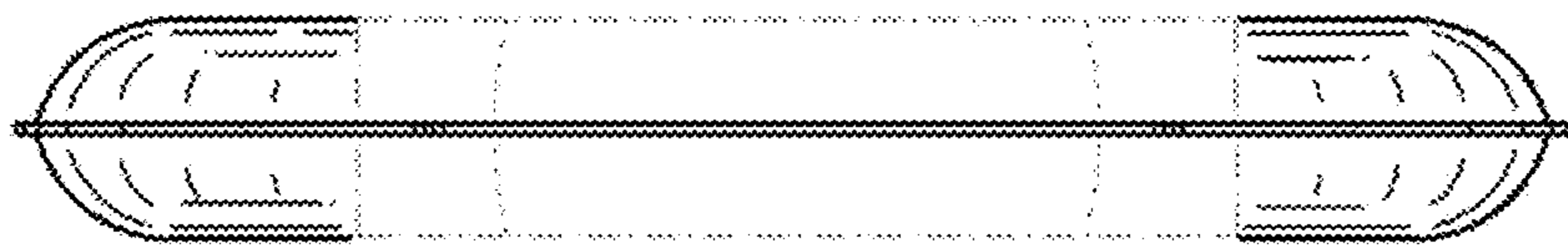


FIG. 14

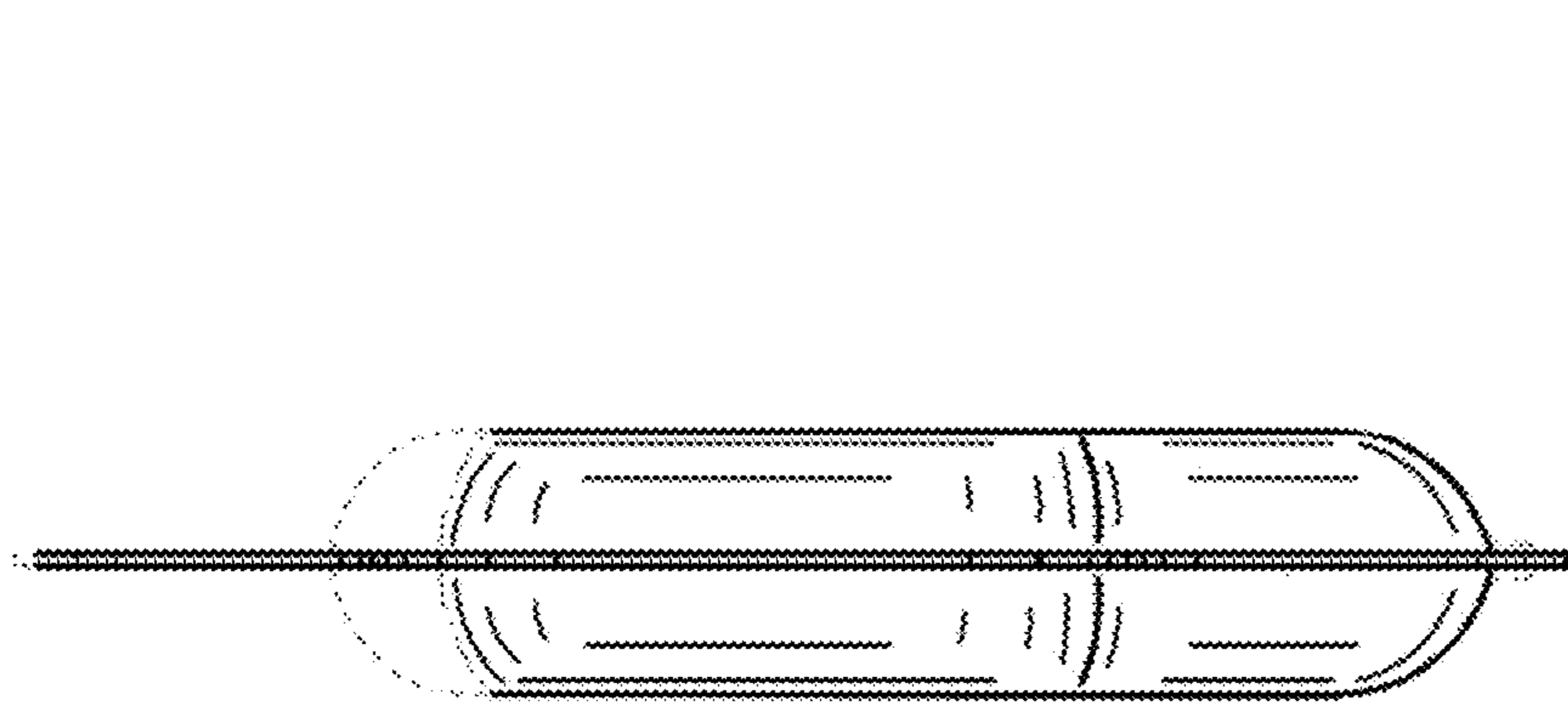


FIG. 15

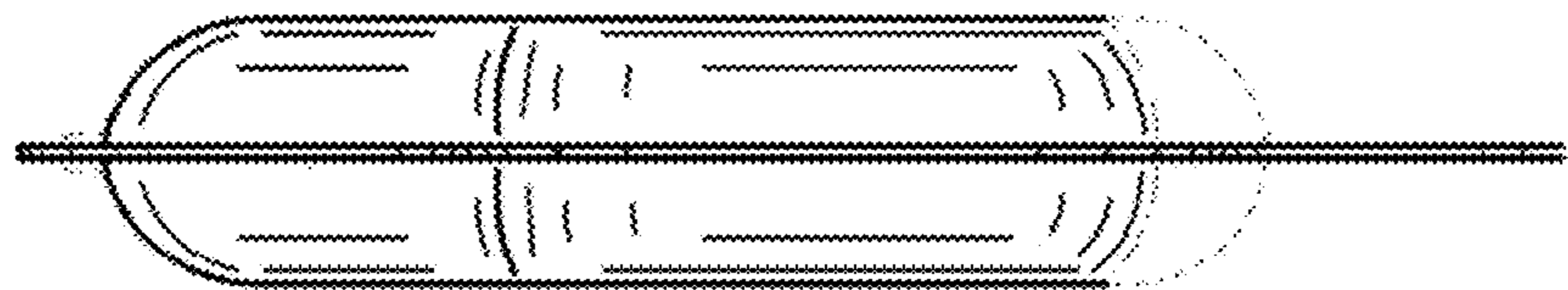


FIG. 16