

US00D767813S

(12) **United States Design Patent** (10) **Patent No.:** **US D767,813 S**
Lucchi (45) **Date of Patent:** **** Sep. 27, 2016**

(54) **LIGHTING DEVICE**

(71) Applicant: **Hermes Sellier (Societe Par Actions Simplifree)**, Paris (FR)

(72) Inventor: **Michele De Lucchi**, Milan (IT)

(73) Assignee: **Hermes Sellier (Societe Par Actions Simplifree)**, Paris (FR)

(**) Term: **14 Years**

(21) Appl. No.: **29/504,723**

(22) Filed: **Oct. 8, 2014**

(30) **Foreign Application Priority Data**

Apr. 9, 2014 (WO) DM/083351

(51) **LOC (10) Cl.** **26-05**

(52) **U.S. Cl.**
USPC **D26/110**

(58) **Field of Classification Search**
USPC D26/24, 93, 95, 104, 106, 110
CPC F21S 6/00; F21S 6/002; F21S 6/004;
F21S 6/008; F21S 8/08; F21V 21/00; F21V
21/02; F21W 2131/30

See application file for complete search history.

(56) **References Cited**

U.S. PATENT DOCUMENTS

D148,033 S *	12/1947	MacQuarrie	D26/93
D346,039 S *	4/1994	Dordoni	D26/105
D429,367 S *	8/2000	Hsieh	D26/110
D733,348 S *	6/2015	Dolan	D26/93

* cited by examiner

Primary Examiner — Brian N Vinson

(74) *Attorney, Agent, or Firm* — Foley & Lardner LLP

(57) **CLAIM**

The ornamental design for a lighting device, as shown and described.

DESCRIPTION

FIG. 1 is a front elevational view of a lighting device showing my new design;

FIG. 2 is a rear elevational view thereof;

FIG. 3 is a right side elevational view thereof;

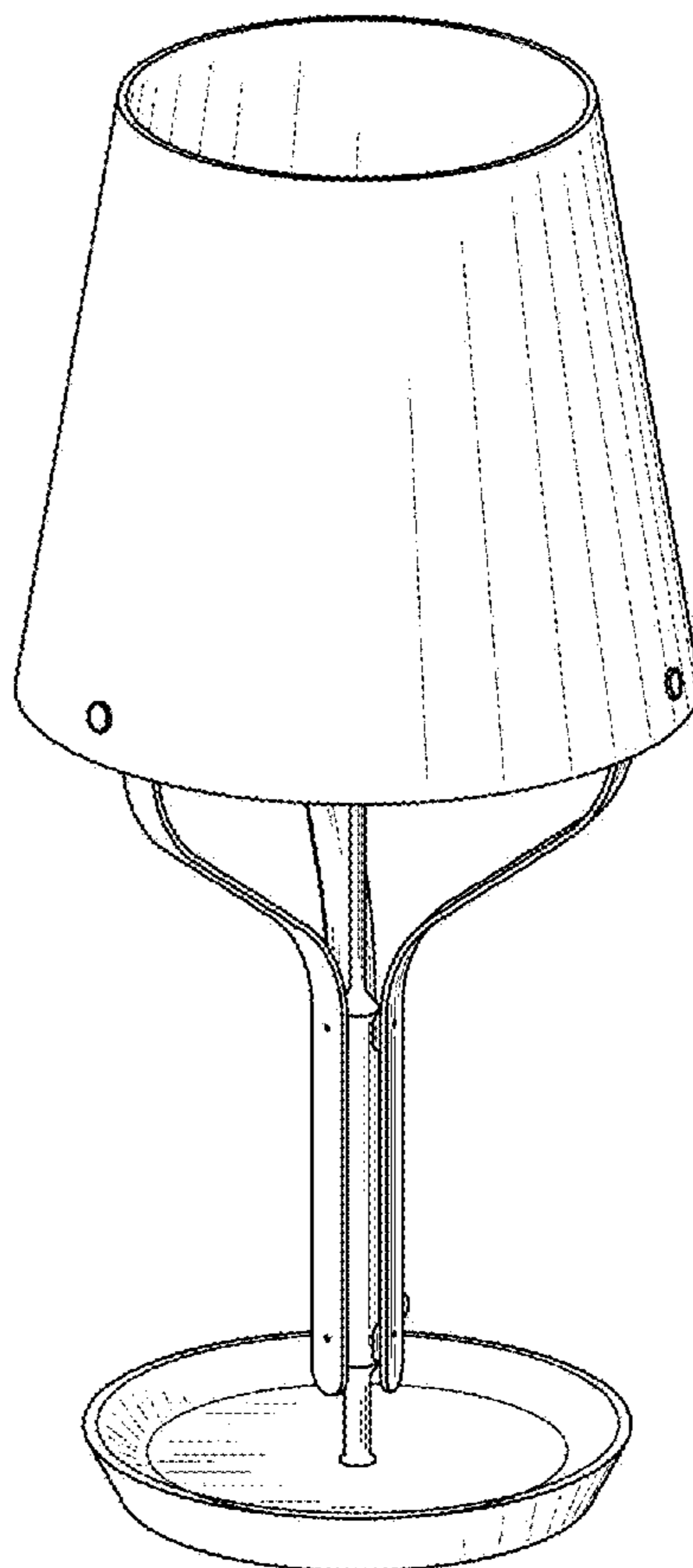
FIG. 4 is a left side elevational view thereof;

FIG. 5 is a top plan view thereof;

FIG. 6 is a bottom plan view thereof; and,

FIG. 7 is a front perspective view thereof.

1 Claim, 7 Drawing Sheets



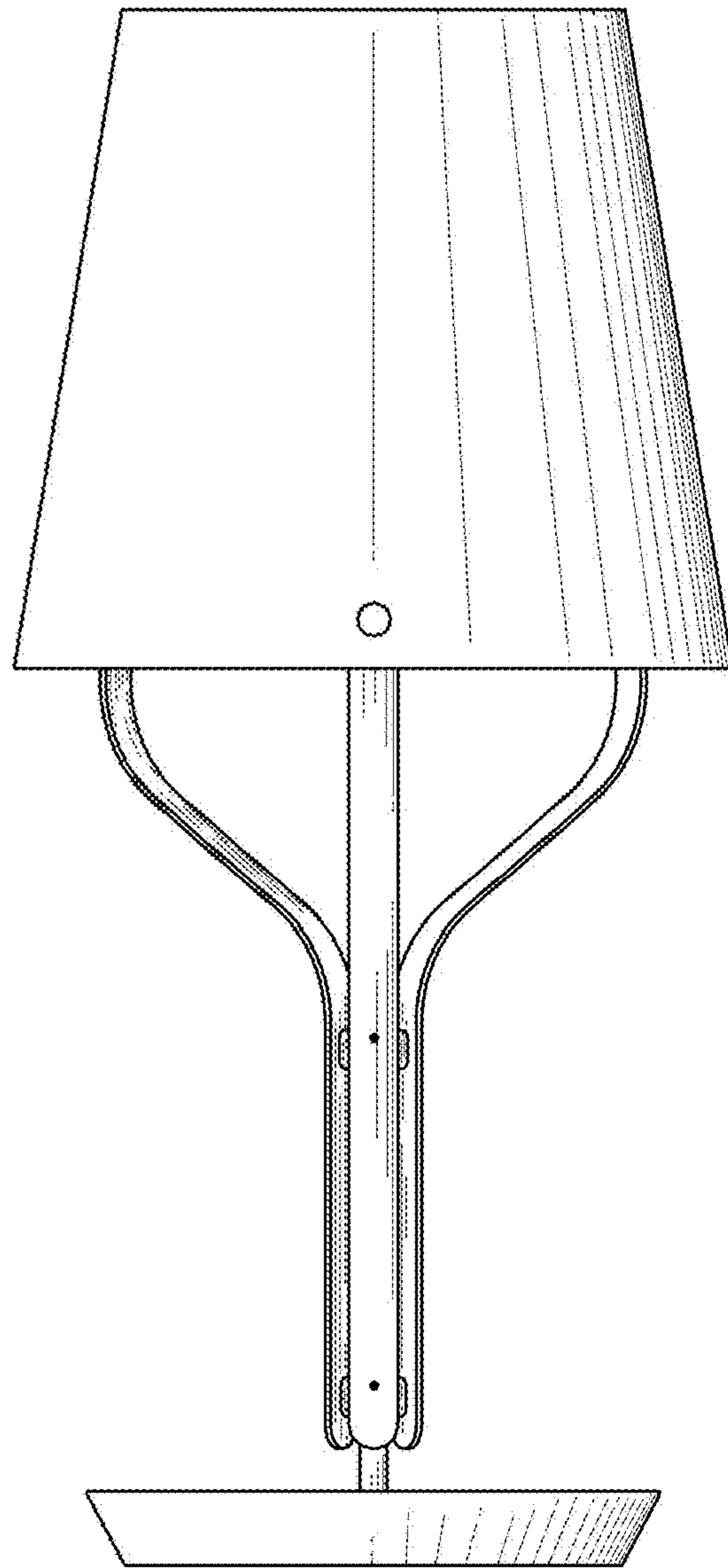


Fig. 1

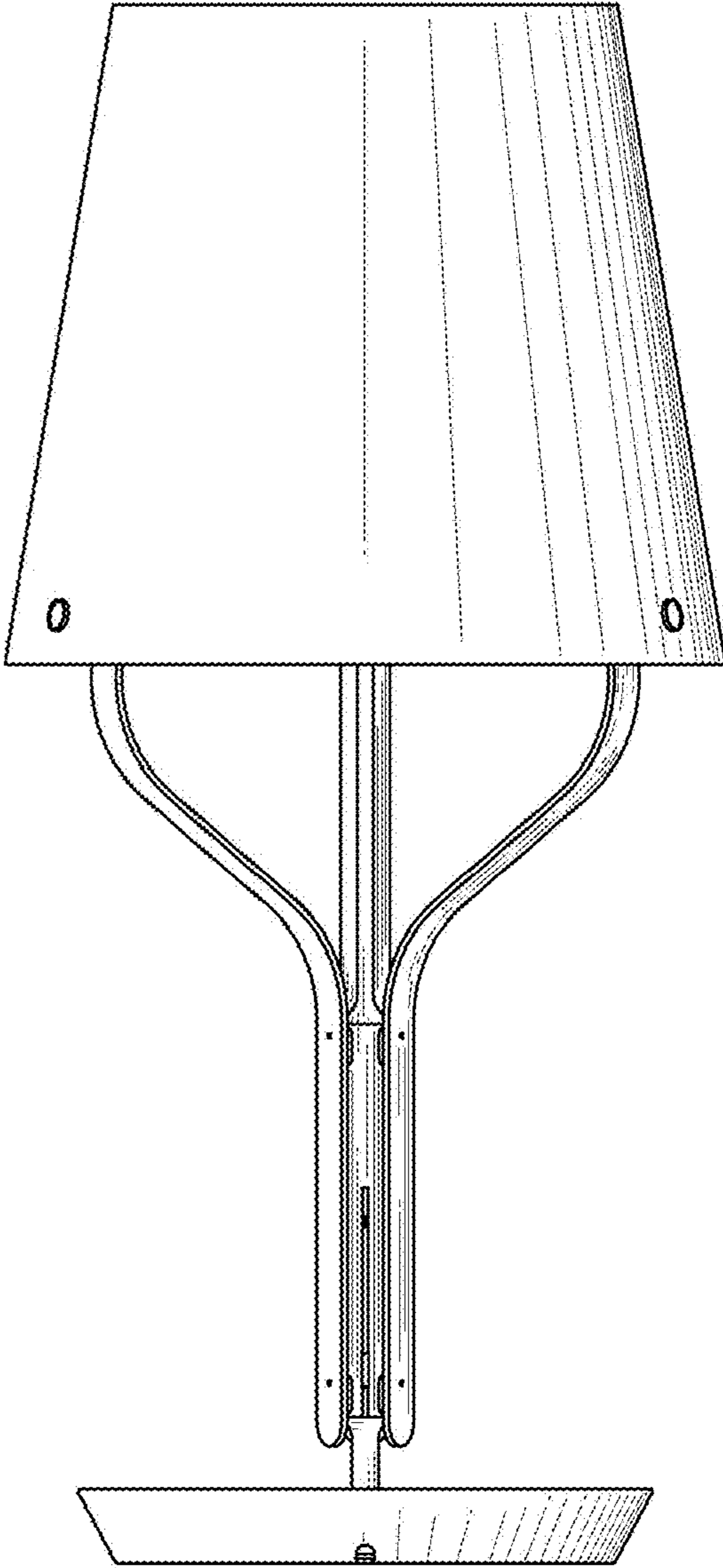


Fig. 2

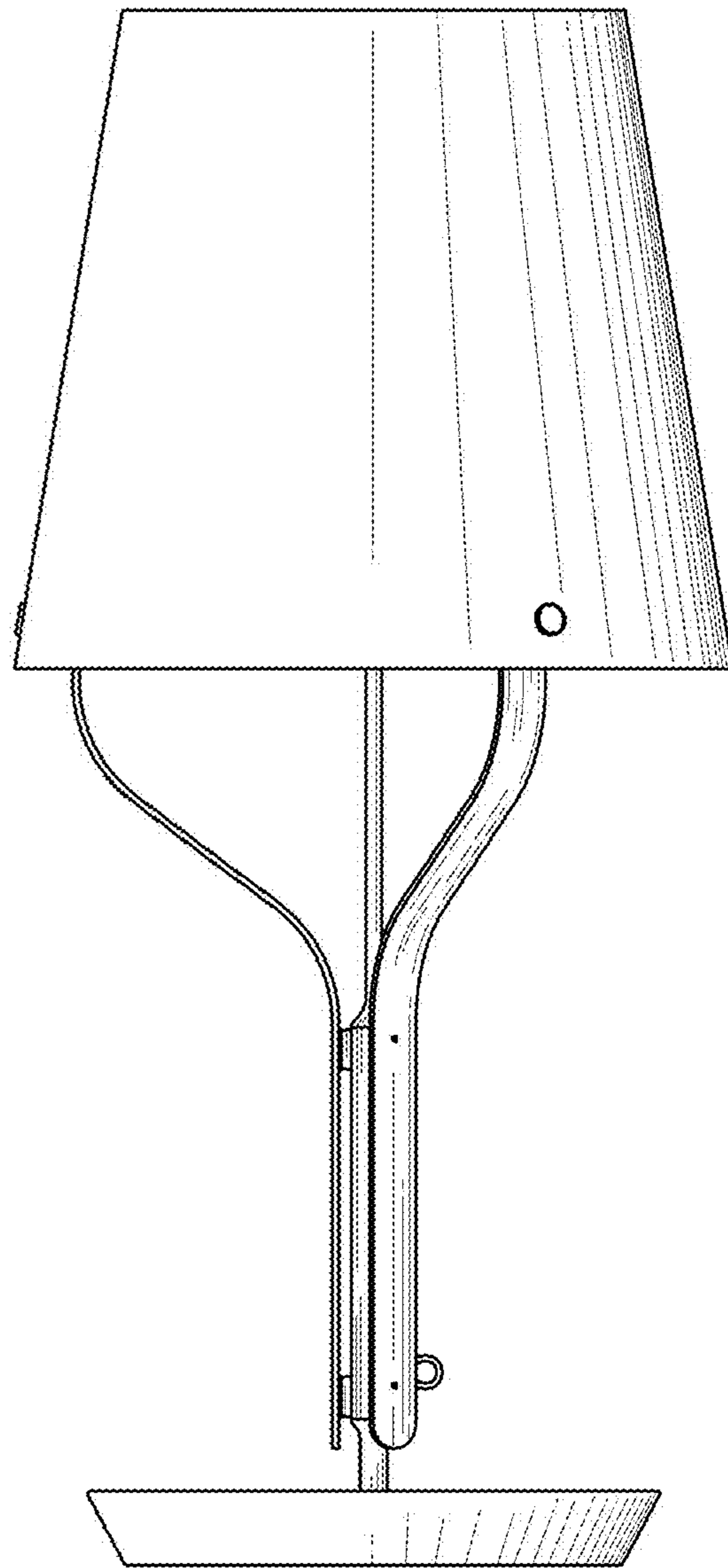


Fig. 3

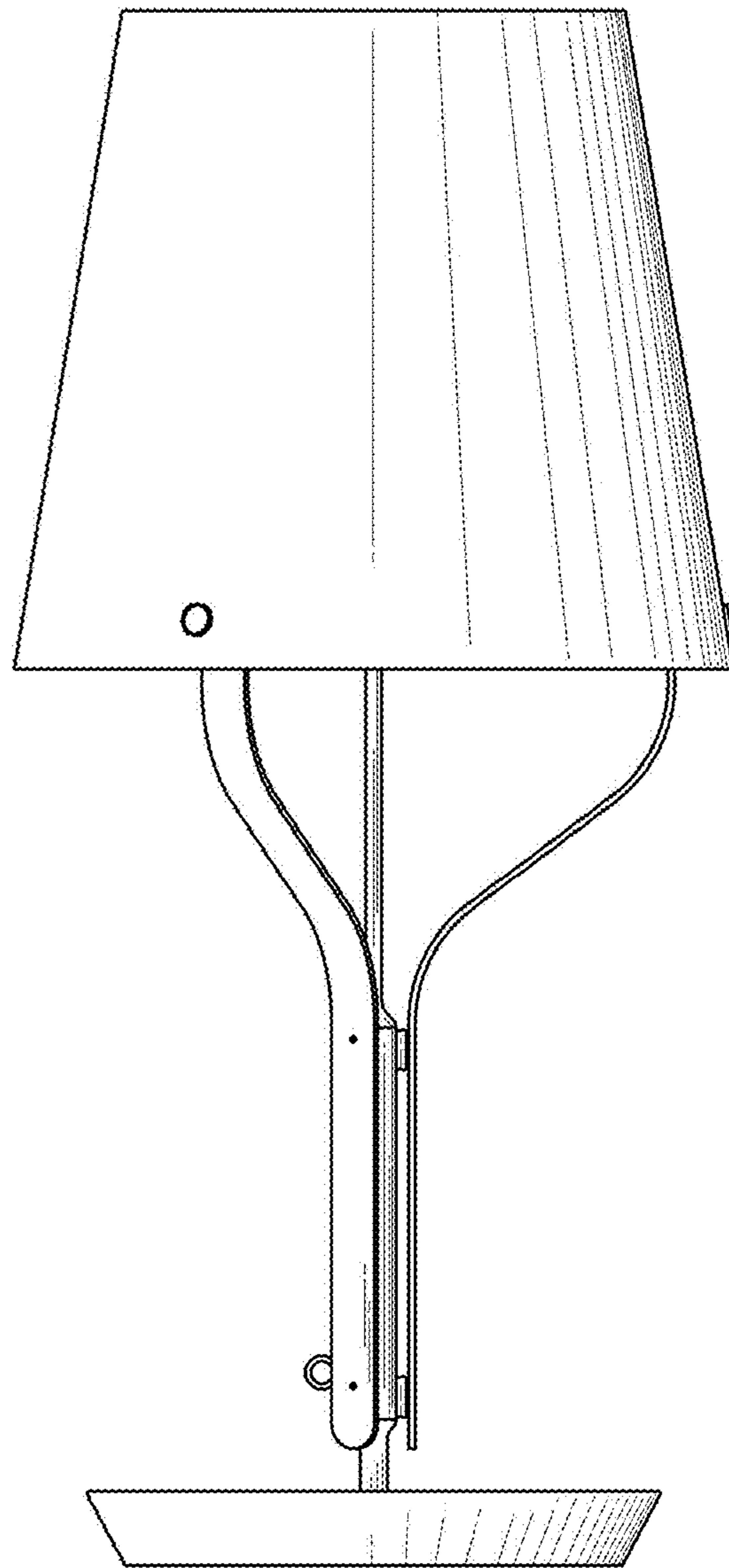


Fig. 4

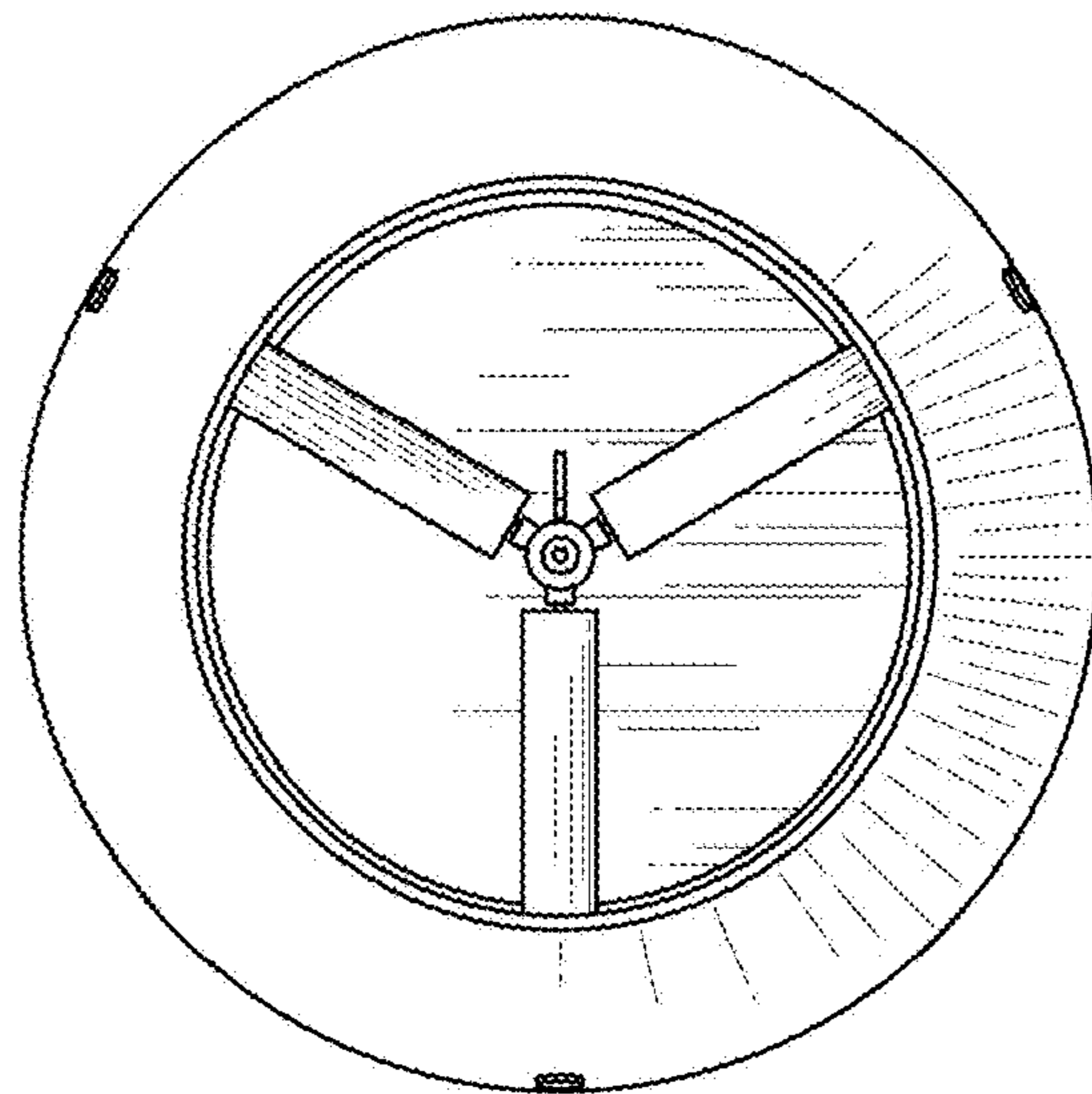


Fig. 5

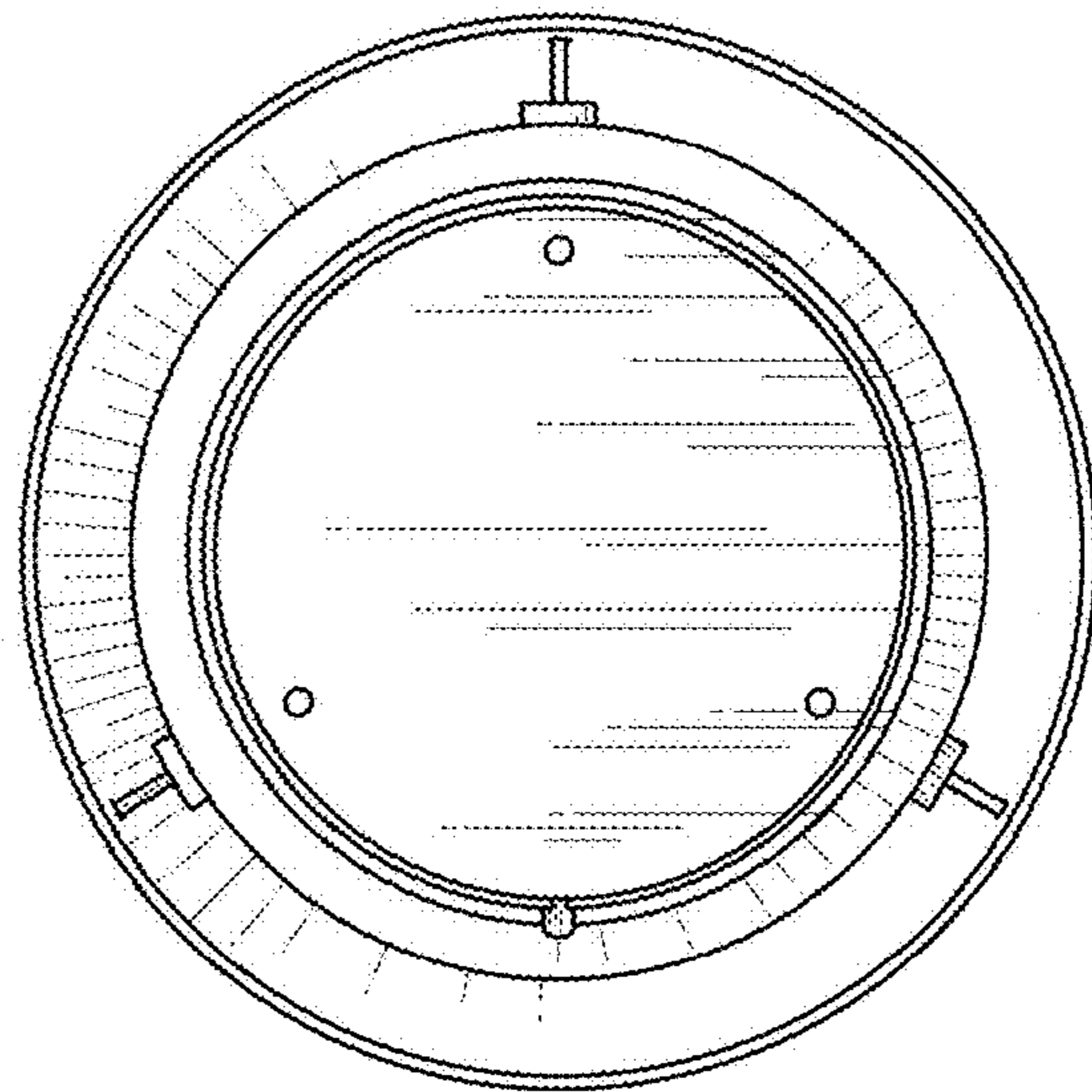


Fig. 6

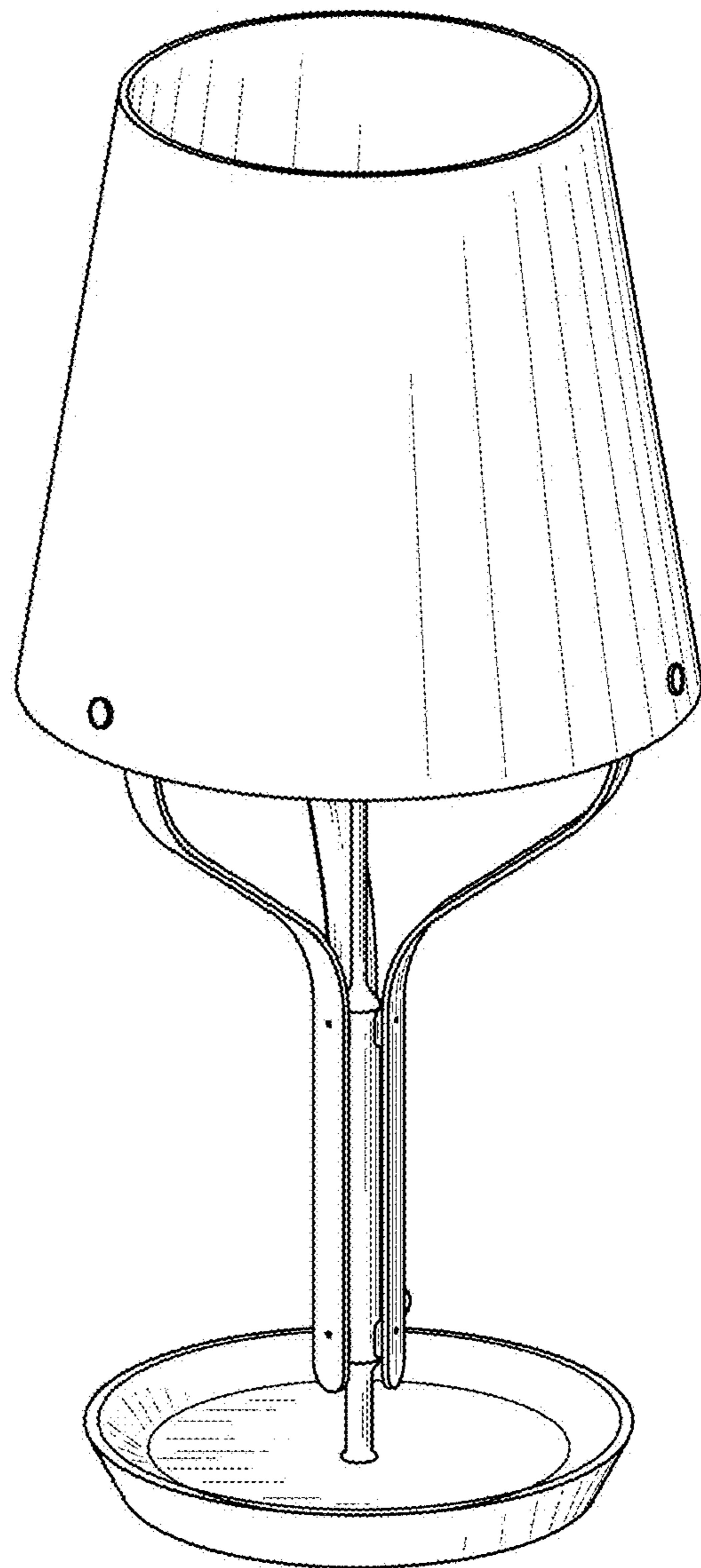


Fig. 7