



US00D767810S

(12) **United States Design Patent** (10) **Patent No.:** **US D767,810 S**  
**Li** (45) **Date of Patent:** **\*\* Sep. 27, 2016**

(54) **ELECTRONIC FLAMELESS CANDLE**

2006/0120080 A1 6/2006 Sipinski et al.  
2009/0059596 A1 3/2009 Lederer  
2011/0317403 A1 12/2011 Fournier et al.

(71) Applicant: **Xiaofeng Li**, Shenzhen (CN)

(72) Inventor: **Xiaofeng Li**, Shenzhen (CN)

(\*\*) Term: **14 Years**

(21) Appl. No.: **29/492,072**

(22) Filed: **May 28, 2014**

(51) **LOC (10) Cl.** ..... **26-03**

(52) **U.S. Cl.**  
USPC ..... **D26/96**

(58) **Field of Classification Search**  
USPC ..... D26/96, 4-7, 9; 362/392, 810, 161, 183  
CPC ..... F21S 10/04; F21S 9/02; F21K 9/58;  
A61L 9/03; A61L 2209/12; F21V 23/0442;  
F21W 2121/00  
See application file for complete search history.

(56) **References Cited**

**U.S. PATENT DOCUMENTS**

- 3,315,497 A \* 4/1967 MacDonald ..... F23Q 2/32  
362/161
- D301,749 S \* 6/1989 Comstock ..... D26/9
- D488,582 S \* 4/2004 Connelly ..... D26/96
- D490,547 S \* 5/2004 Clarkson ..... D26/9
- 6,785,939 B1 \* 9/2004 James ..... A61G 17/08  
27/1
- 8,002,429 B2 \* 8/2011 Ambroggio ..... C11C 5/008  
362/154
- 8,215,789 B2 \* 7/2012 Howard ..... F21S 19/00  
362/157
- 8,556,476 B2 \* 10/2013 Ding ..... F21S 6/001  
362/161
- 8,783,888 B2 \* 7/2014 McCavit ..... A61L 9/122  
362/162
- 8,956,001 B2 \* 2/2015 Ng ..... F21L 27/00  
362/161
- 9,039,233 B2 \* 5/2015 Fournier ..... F21V 33/0056  
362/202
- 9,080,762 B2 \* 7/2015 Ray ..... F21V 33/00
- D739,069 S \* 9/2015 Bologeorges ..... D26/13

**FOREIGN PATENT DOCUMENTS**

CN	1530142	9/2004
CN	1646177	7/2005
CN	200940808	8/2007
CN	201235095	5/2009
CN	201418887	3/2010
CN	201533921	7/2010
CN	201643048	11/2010
EP	0855189	7/1998
JP	1057464	3/1998
WO	03011349	2/2003
WO	2013020263	2/2013

**OTHER PUBLICATIONS**

Translation of CN200940808 provided via Third-Party Submission filed on Mar. 19, 2015 in related U.S. Appl. No. 14/297,862 (11 pages).

\* cited by examiner

*Primary Examiner* — David Muller

(74) *Attorney, Agent, or Firm* — Perkins Coie LLP

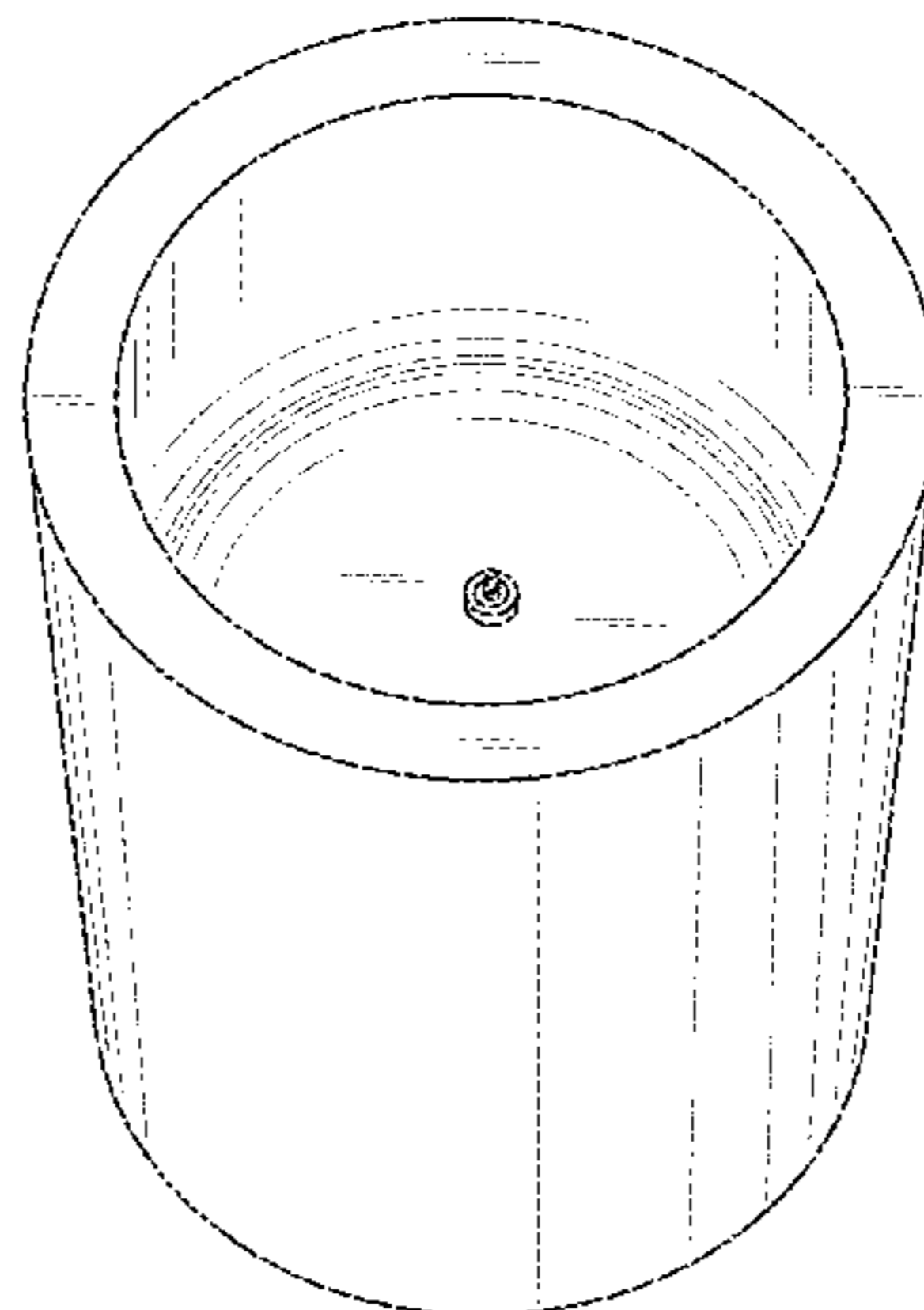
(57) **CLAIM**

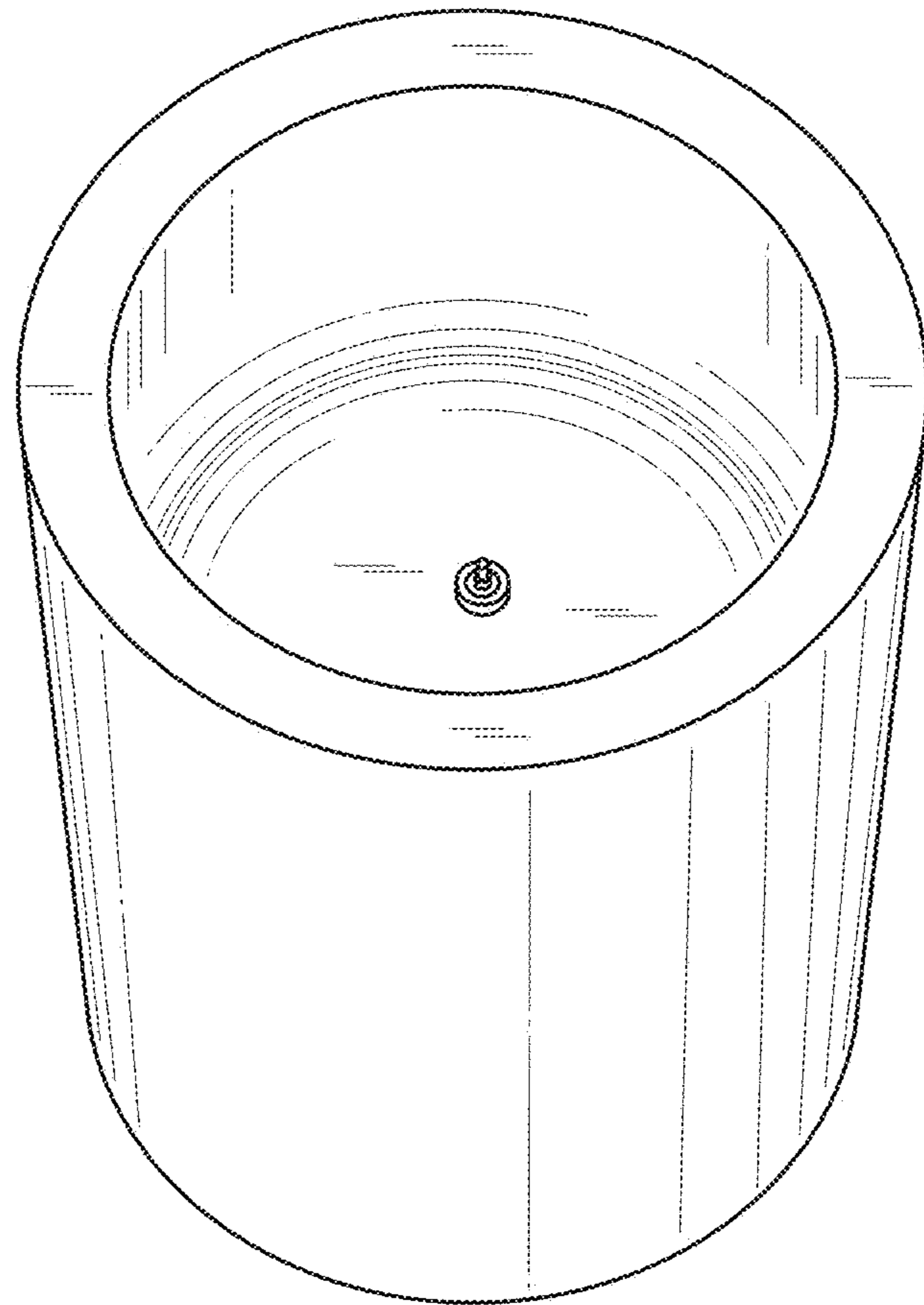
The ornamental design for an electronic flameless candle, as shown and described.

**DESCRIPTION**

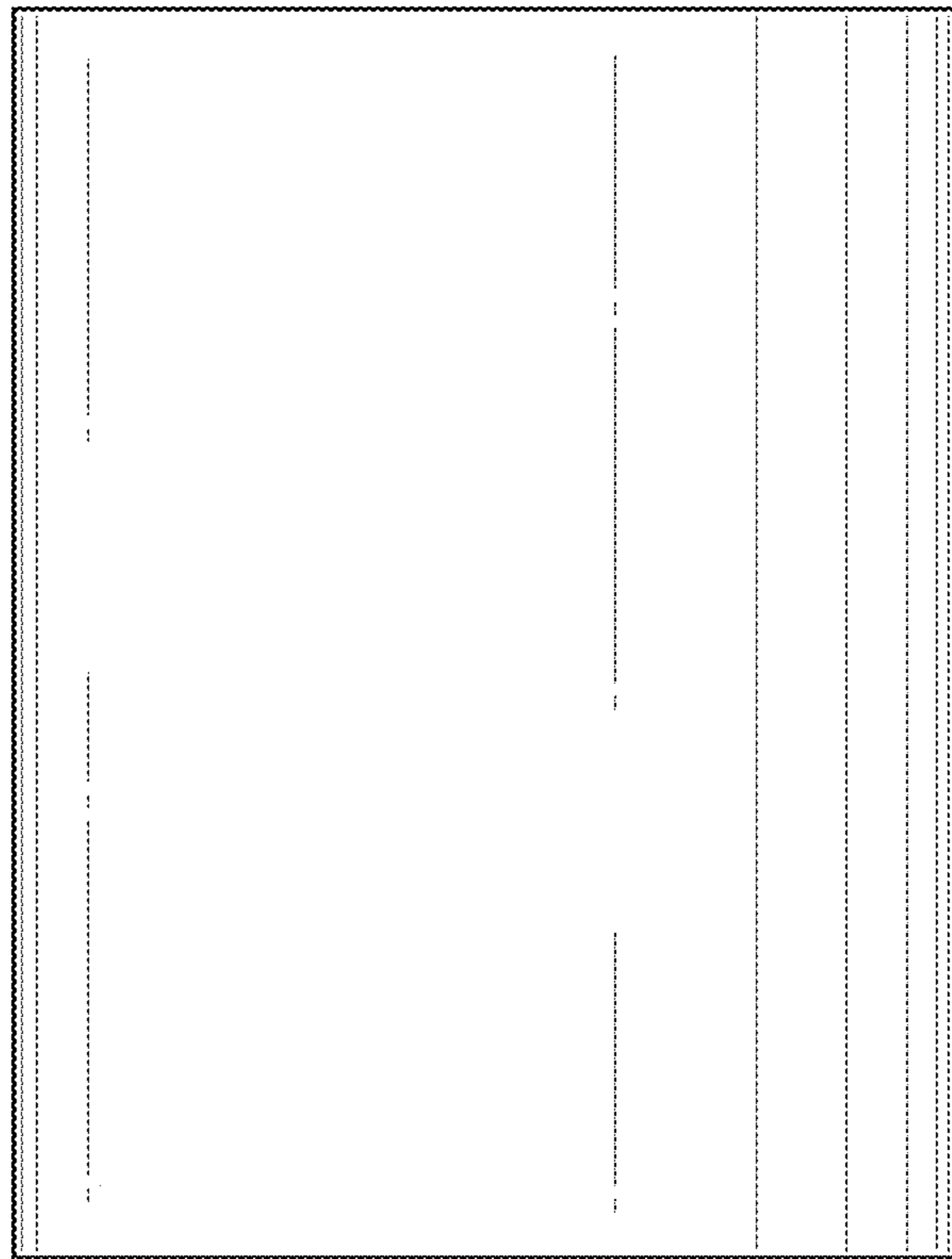
FIG. 1 is a top perspective view of the electronic flameless candle;  
FIG. 2 is a front elevation view thereof;  
FIG. 3 is a rear elevation view thereof;  
FIG. 4 is a right side elevation view thereof;  
FIG. 5 is a left side elevation view thereof;  
FIG. 6 is a top plan view thereof; and,  
FIG. 7 is a bottom plan view.  
The features shown in broken lines depict environmental structure only and form no part of the claimed design.

**1 Claim, 7 Drawing Sheets**

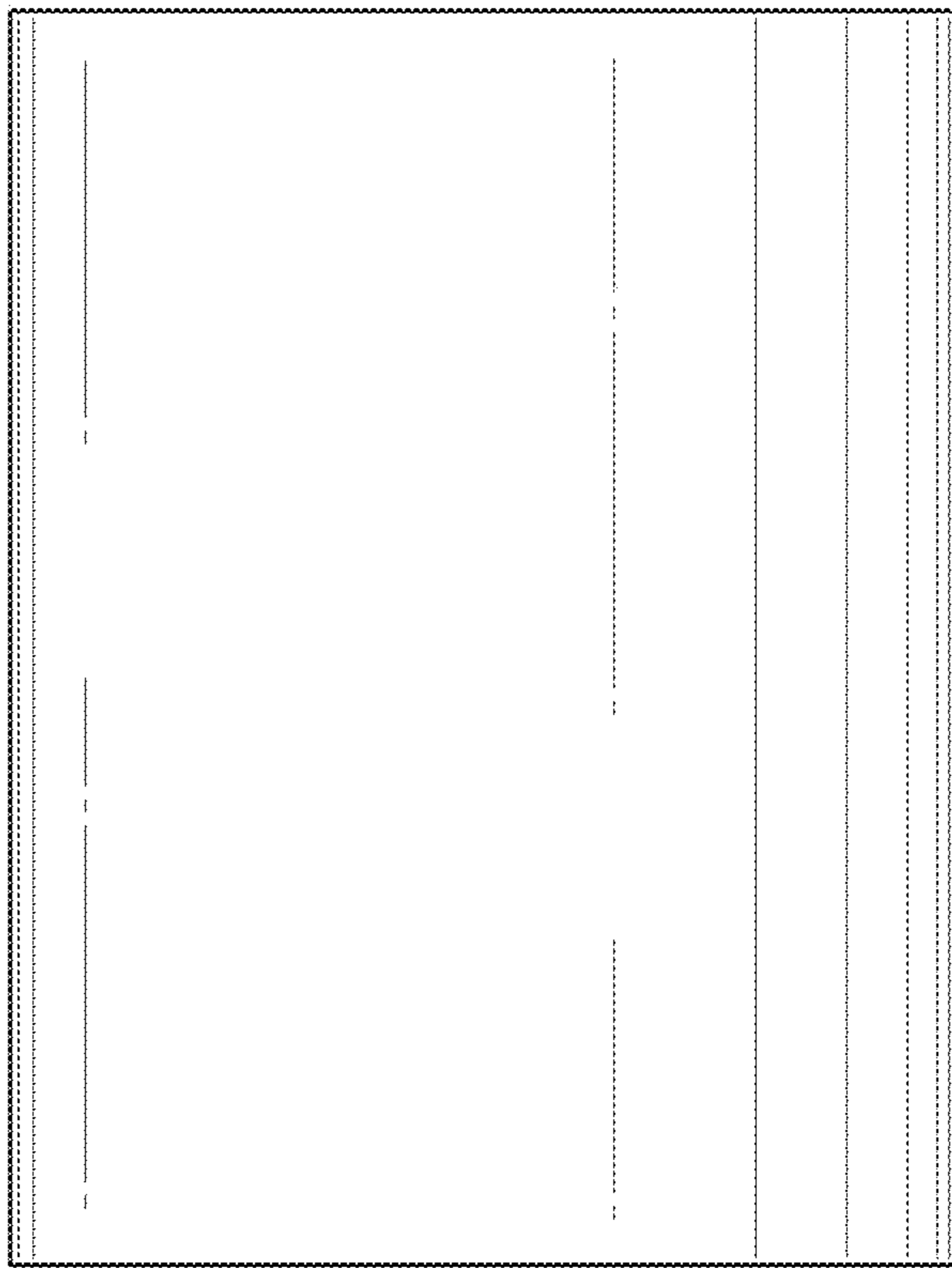




**Fig. 1**



**Fig. 2**



**Fig. 3**

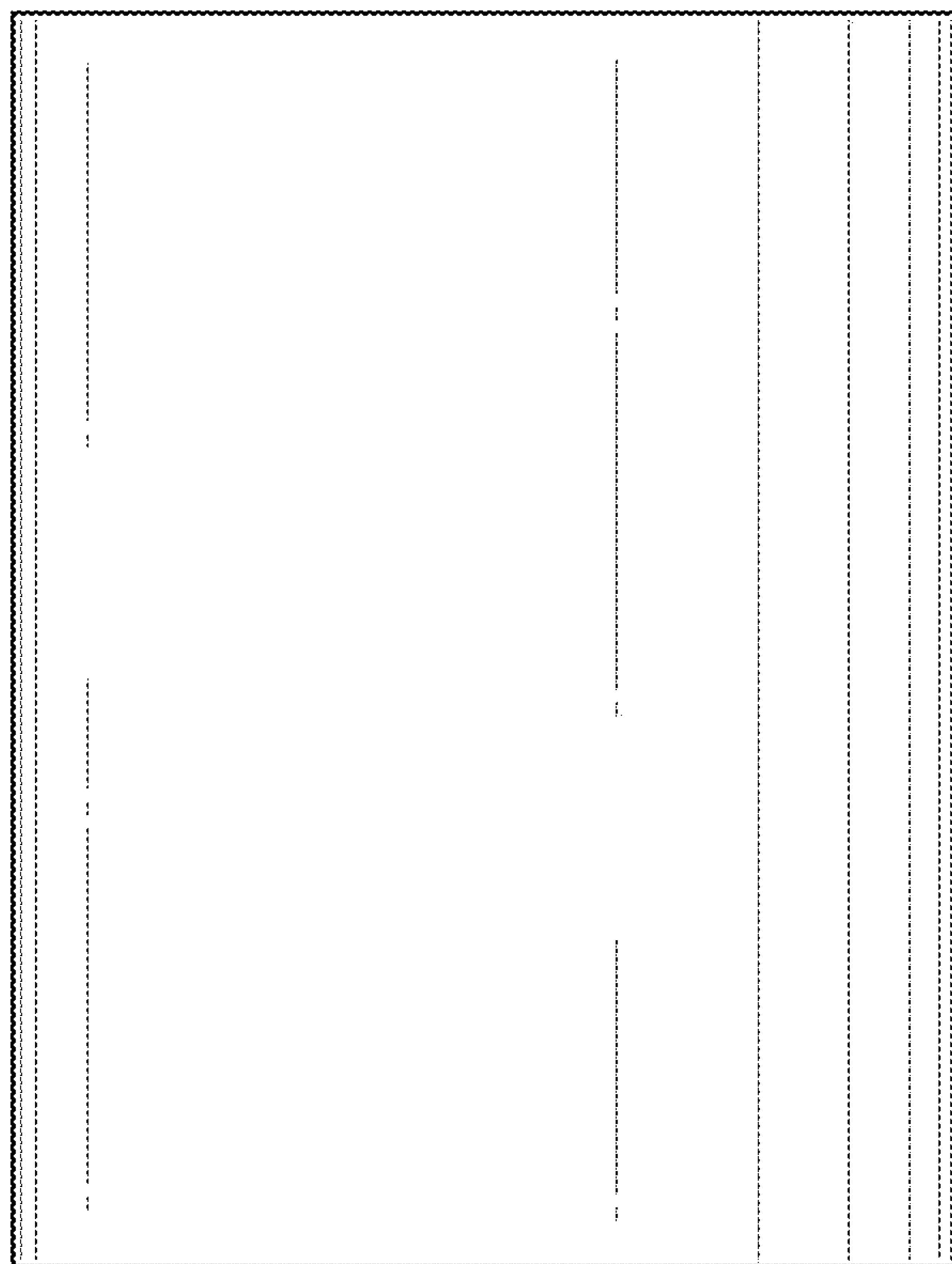
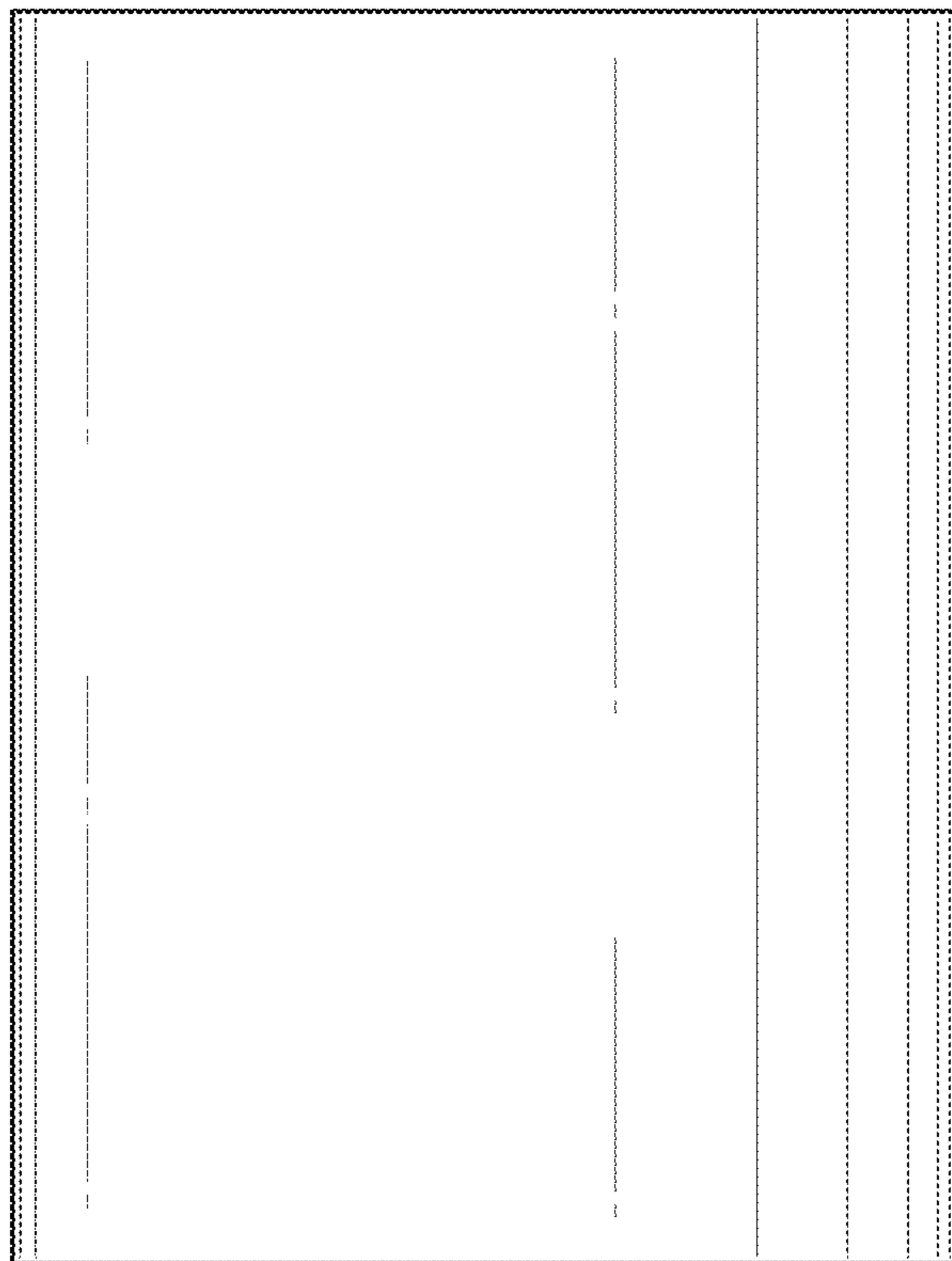
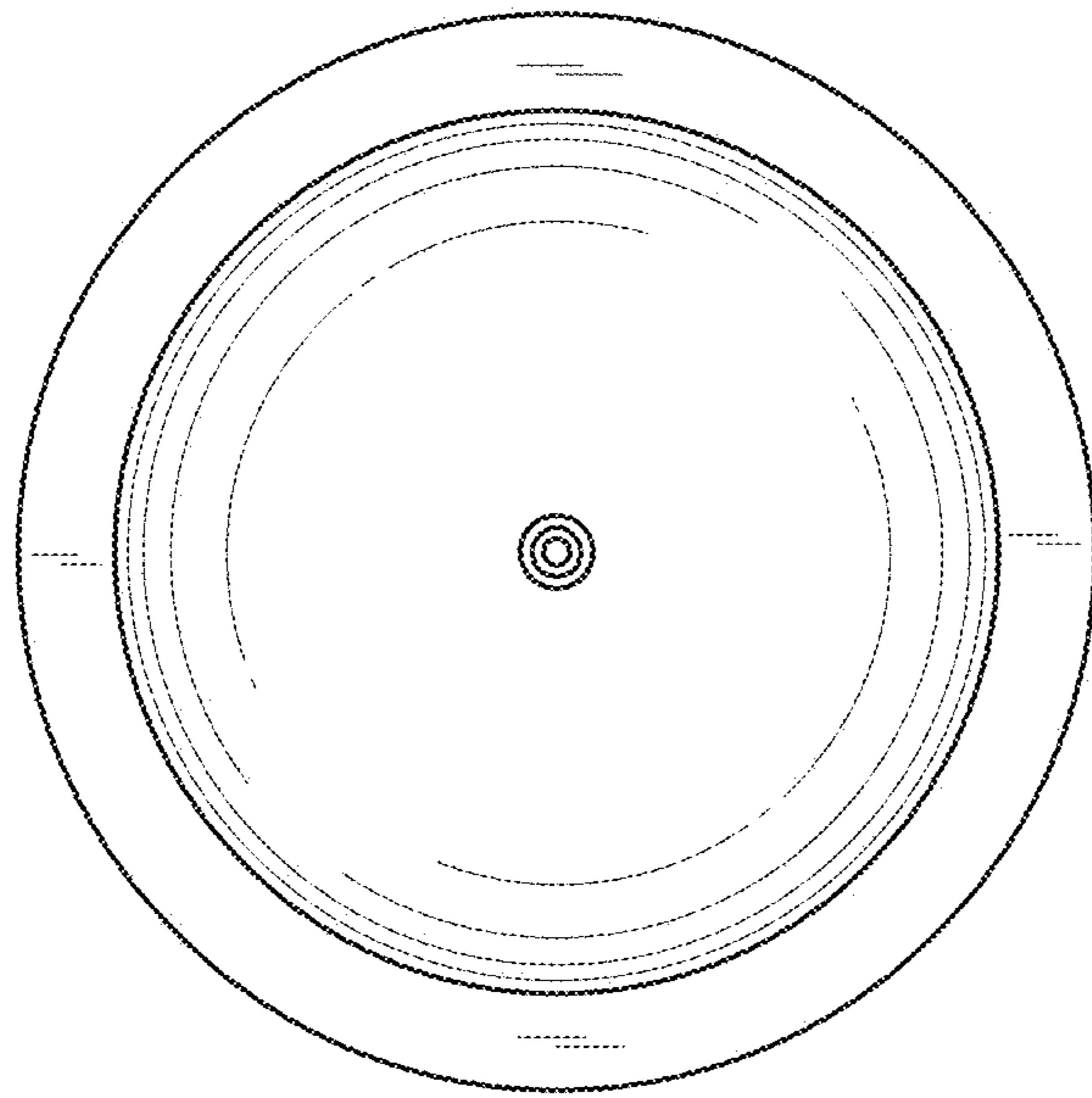


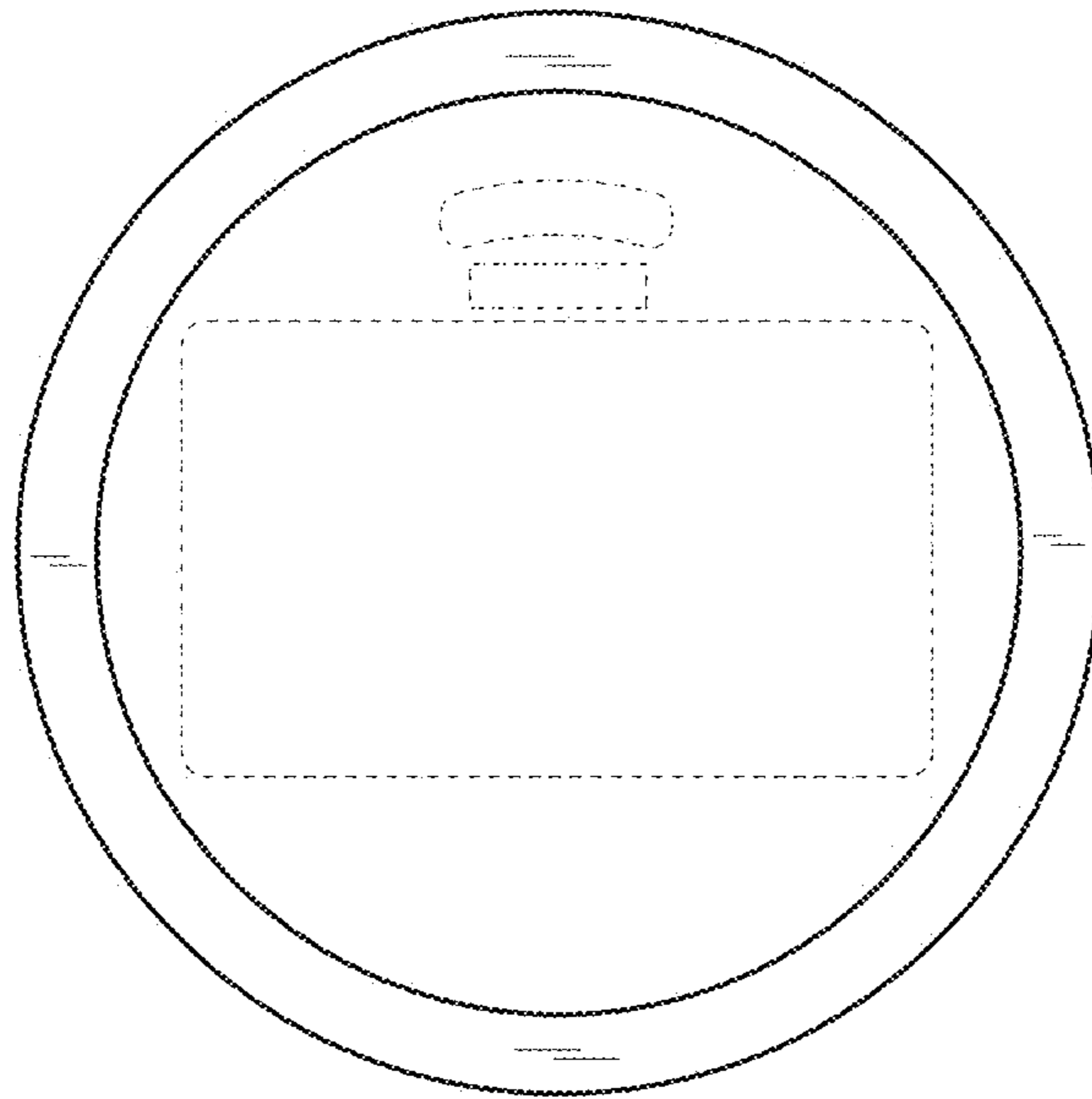
Fig. 4



**Fig. 5**



**Fig. 6**



**Fig. 7**