



US00D767809S

(12) **United States Design Patent**
Götz-Schäfer

(10) **Patent No.:** **US D767,809 S**

(45) **Date of Patent:** **** Sep. 27, 2016**

(54) **DOWNLIGHT**

(71) Applicant: **THORN LIGHTING LIMITED,**
Durham (GB)

(72) Inventor: **Katharina Götz-Schäfer,** Bad
Salzufen (DE)

(73) Assignee: **Thorn Lighting Limited,** Durham
(GB)

(**) Term: **15 Years**

(21) Appl. No.: **29/529,031**

(22) Filed: **Jun. 3, 2015**

(30) **Foreign Application Priority Data**

Dec. 4, 2014 (EM) 002590596

(51) **LOC (10) Cl.** **26-05**

(52) **U.S. Cl.**
USPC **D26/74**

(58) **Field of Classification Search**
USPC D26/74, 72, 75, 76, 77, 78, 85, 88, 89,
D26/118, 138, 141; 362/364, 365, 373, 145,
362/146, 147, 148, 150, 153, 153.1, 294,
362/296.01, 296.07, 296.08
CPC F21V 29/2262; F21V 7/06; F21V 21/044;
F21V 21/047; F21V 29/2212; F21V 29/2225;
F21V 29/2256; F21V 29/225; F21V 29/2268;
F21Y 2111/002; F21S 8/02; F21S 8/026
See application file for complete search history.

(56) **References Cited**

U.S. PATENT DOCUMENTS

D548,389 S * 8/2007 Lecluze D26/138
D561,374 S * 2/2008 Hartmann, Jr. D26/74
D562,489 S * 2/2008 Rashidi D26/118

D609,840 S * 2/2010 Tang D26/74
D633,099 S * 2/2011 Van de Ven D15/1
D636,922 S * 4/2011 Yoshida D26/74
D665,117 S * 8/2012 Yoshida D26/74
D668,372 S * 10/2012 Renshaw D26/74
D671,668 S * 11/2012 Rowlette, Jr. D26/74
D674,127 S * 1/2013 Rowlette, Jr. D26/74
D681,863 S * 5/2013 Chen D26/74
D698,068 S * 1/2014 Rashidi D26/74
D731,689 S * 6/2015 Bernard D26/74

* cited by examiner

Primary Examiner — Angela J Lee

(74) *Attorney, Agent, or Firm* — Scully, Scott, Murphy &
Presser PC

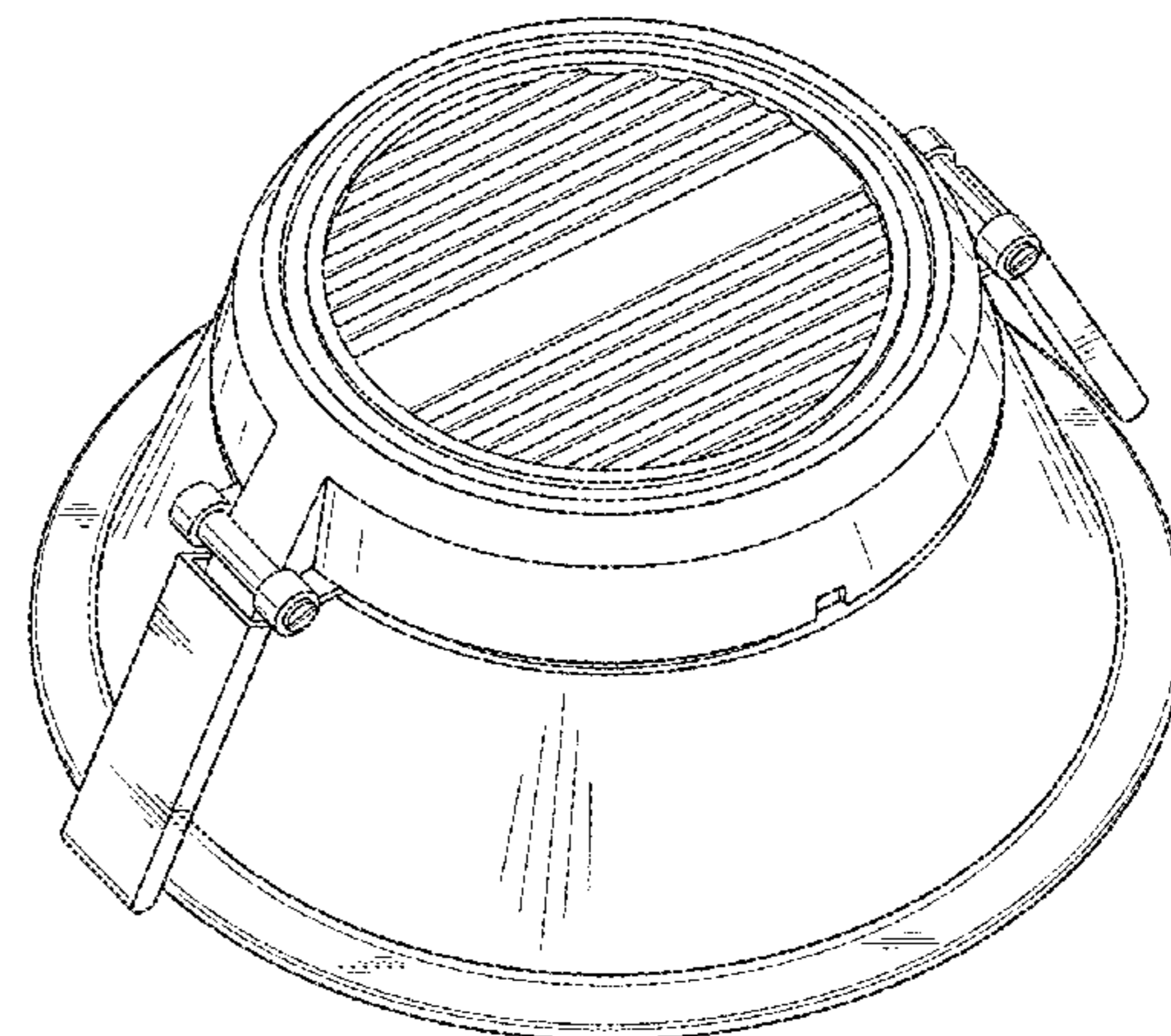
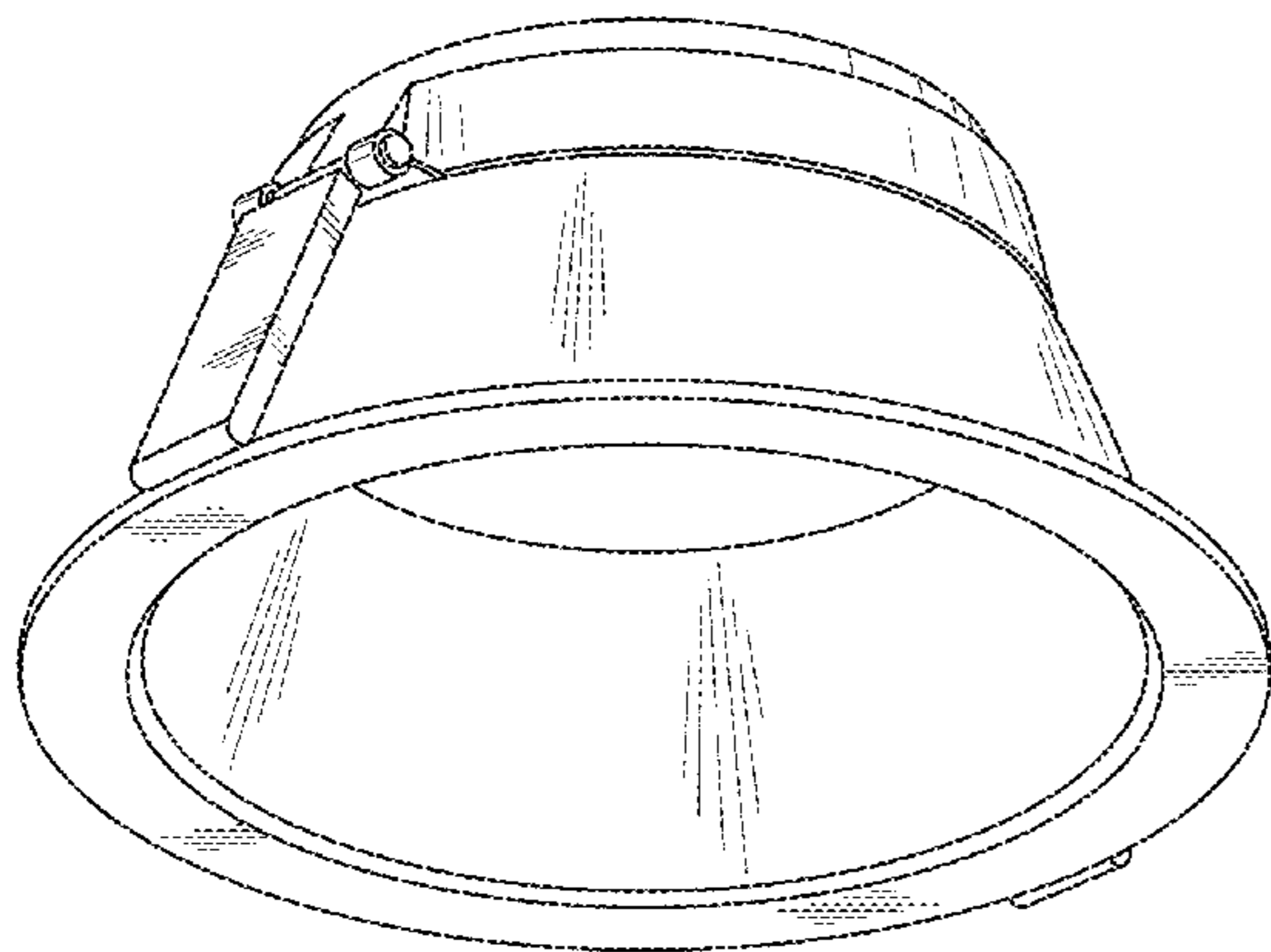
(57) **CLAIM**

The ornamental design for downlight, as shown and
described.

DESCRIPTION

FIG. 1 illustrates a perspective view showing my ornamental
design;
FIG. 2 illustrates a further perspective view thereof;
FIG. 3 illustrates a side view thereof;
FIG. 4 illustrates a side view thereof;
FIG. 5 illustrates a side view thereof;
FIG. 6 illustrates a side view thereof;
FIG. 7 illustrates a bottom view thereof; and,
FIG. 8 illustrates a top view thereof.

1 Claim, 8 Drawing Sheets



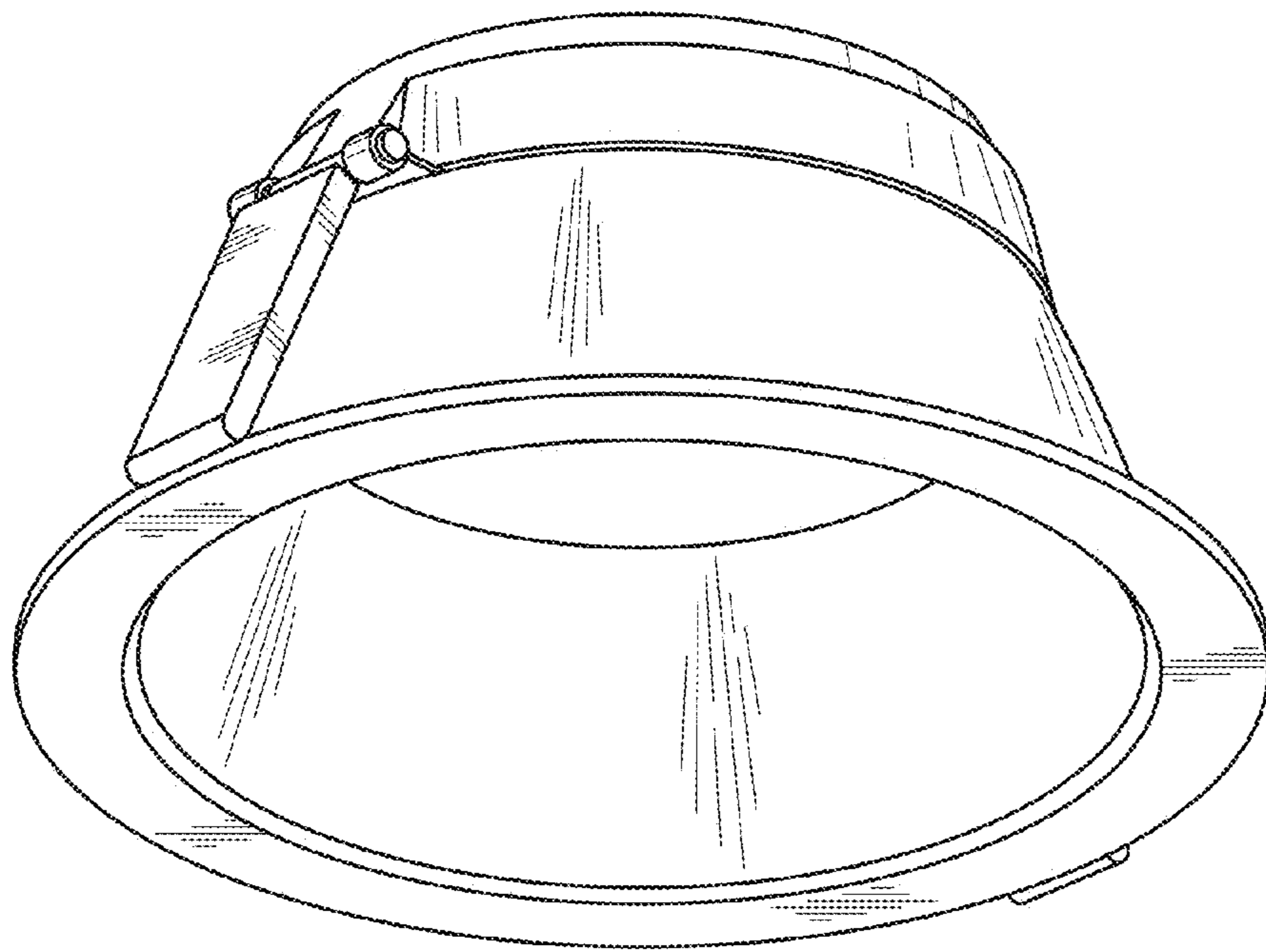


Fig.1

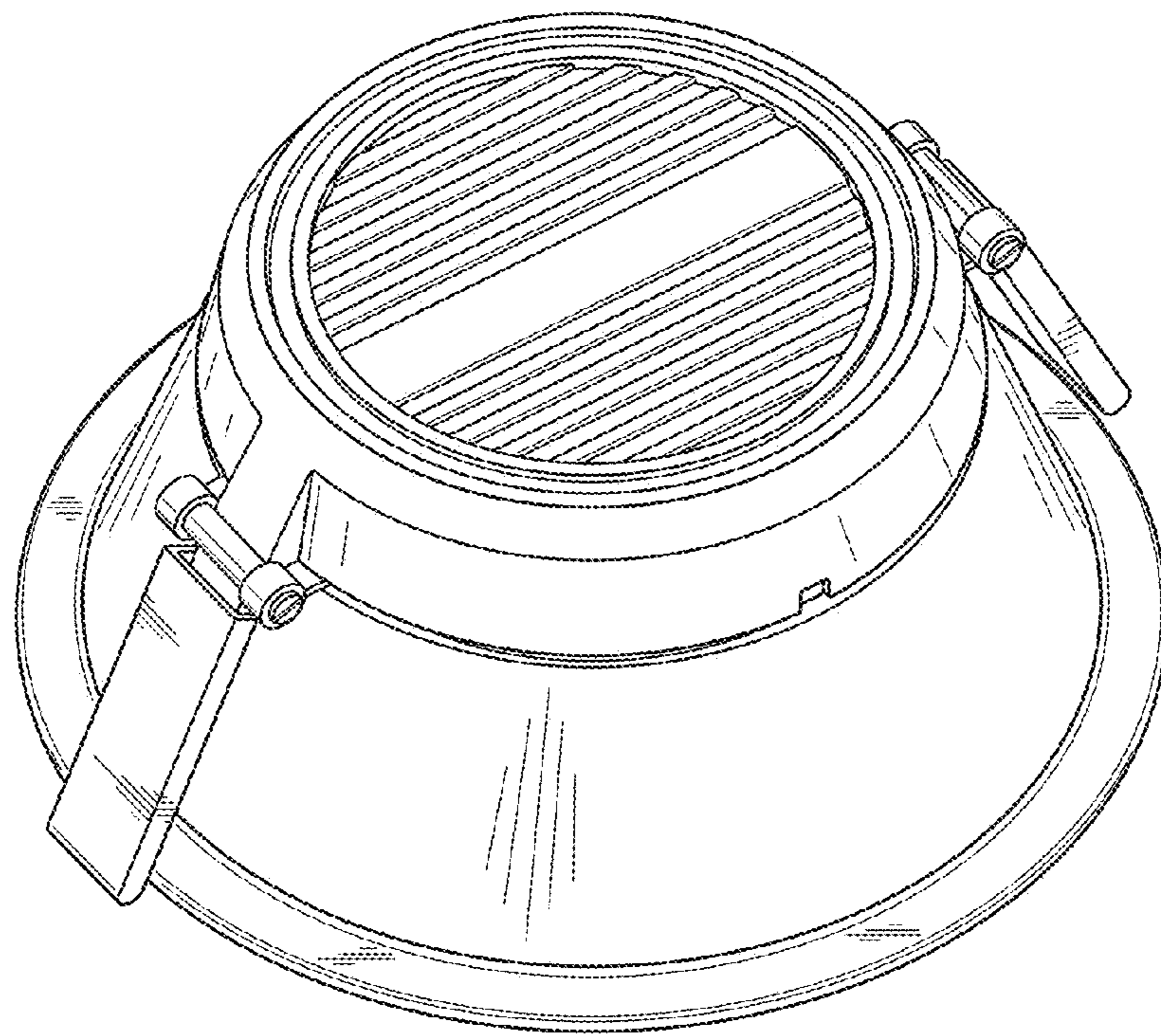


Fig. 2

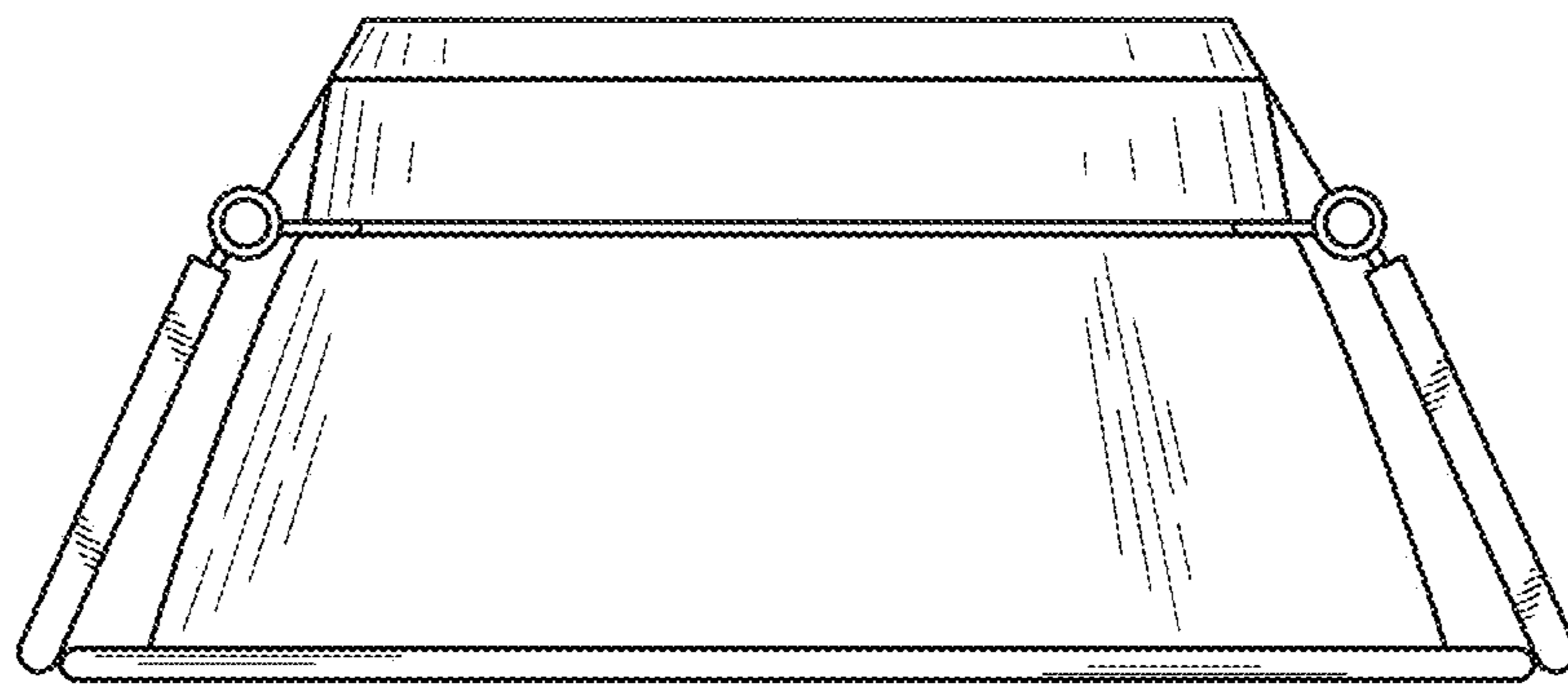


Fig. 3

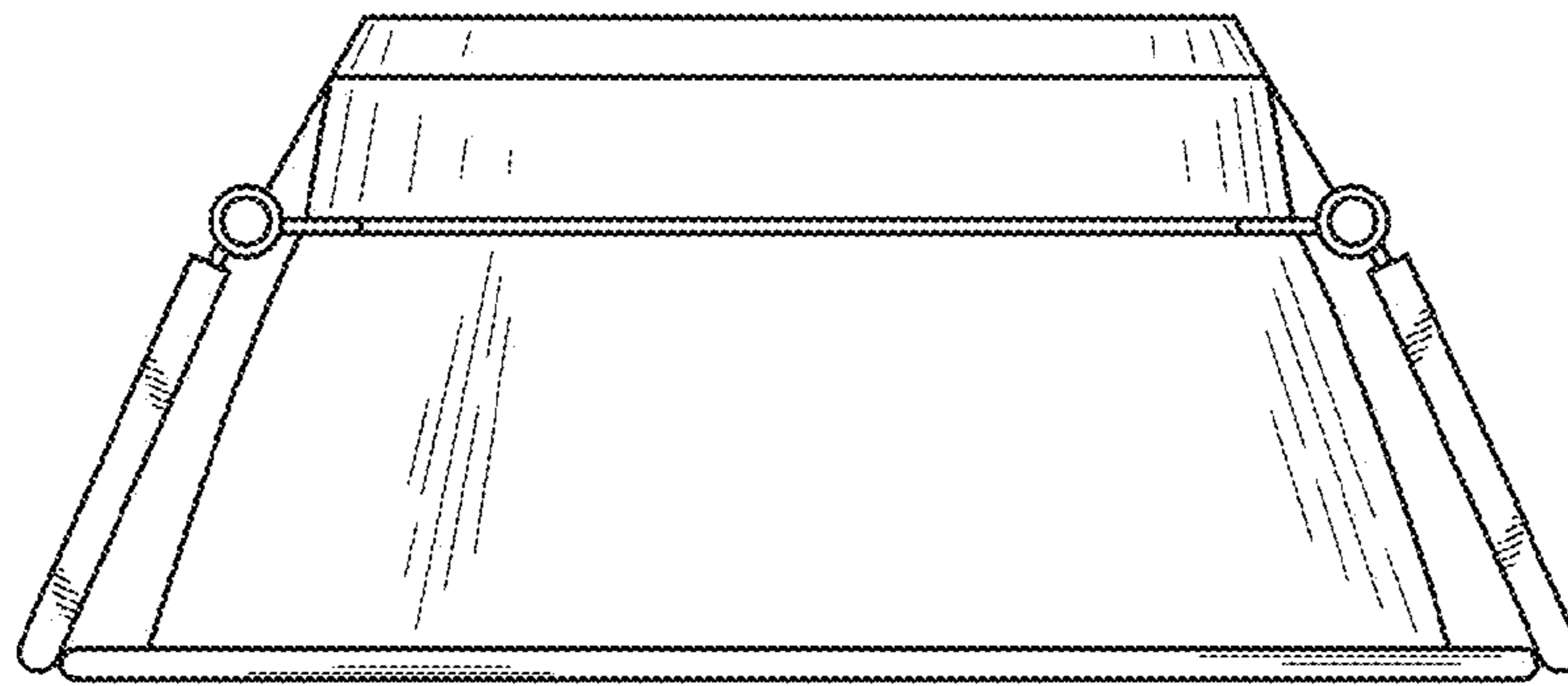


Fig. 4

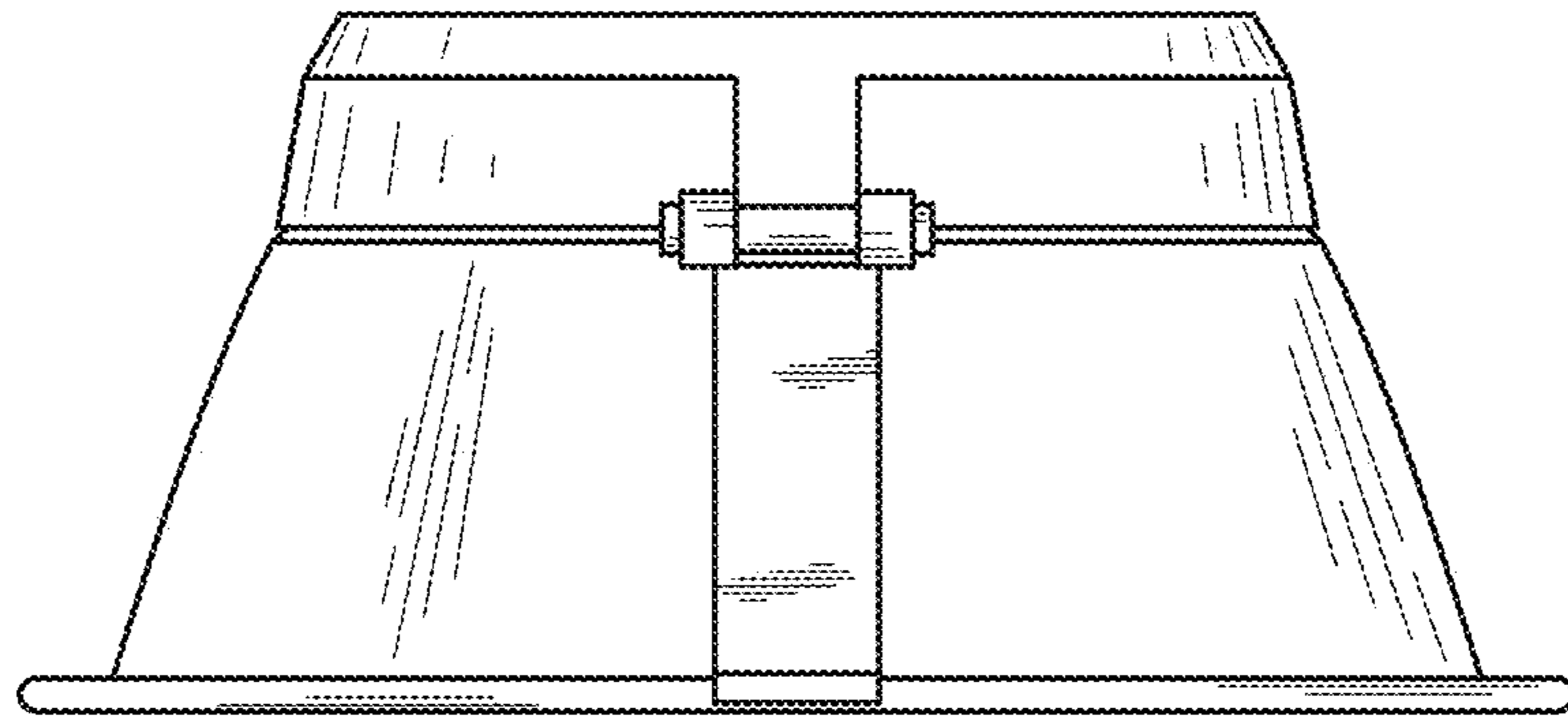


Fig. 5

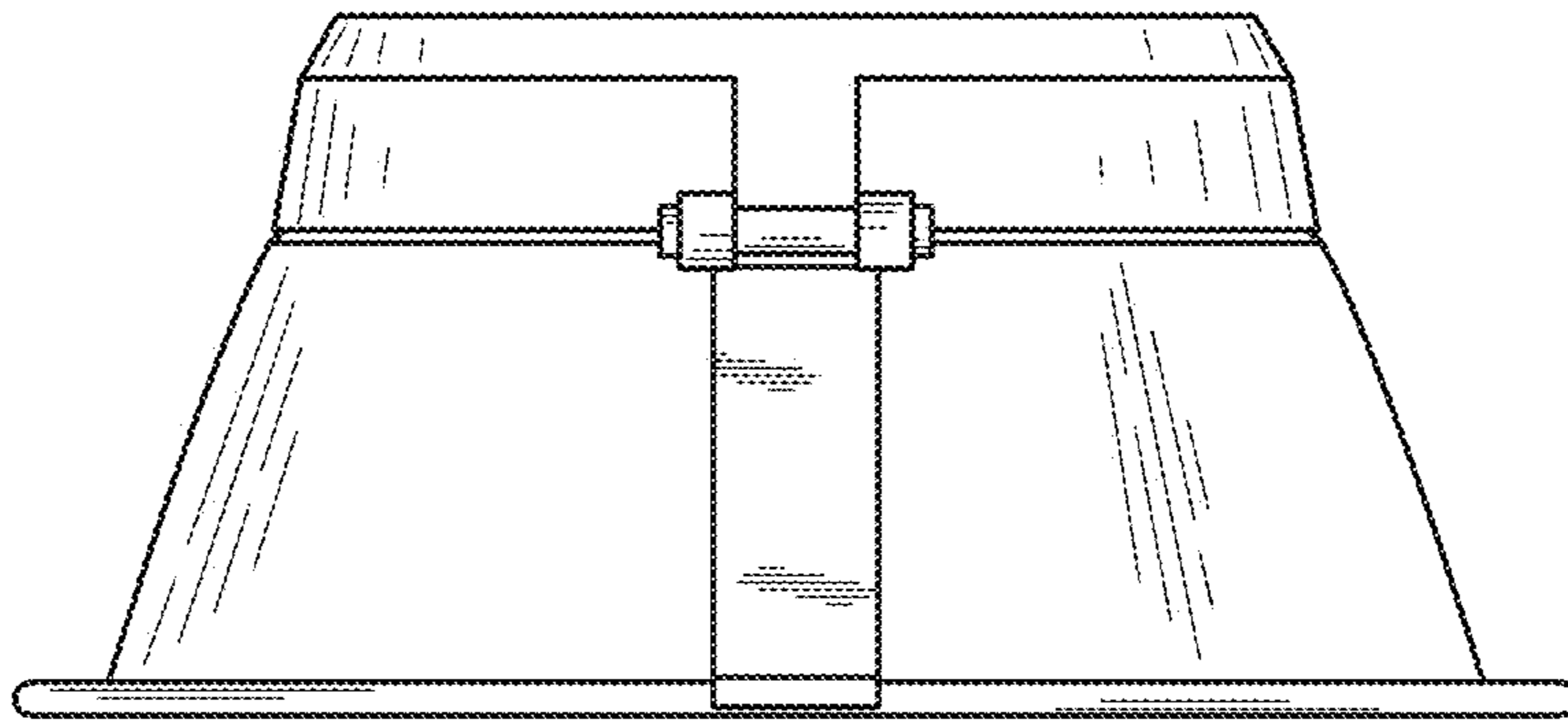


Fig. 6

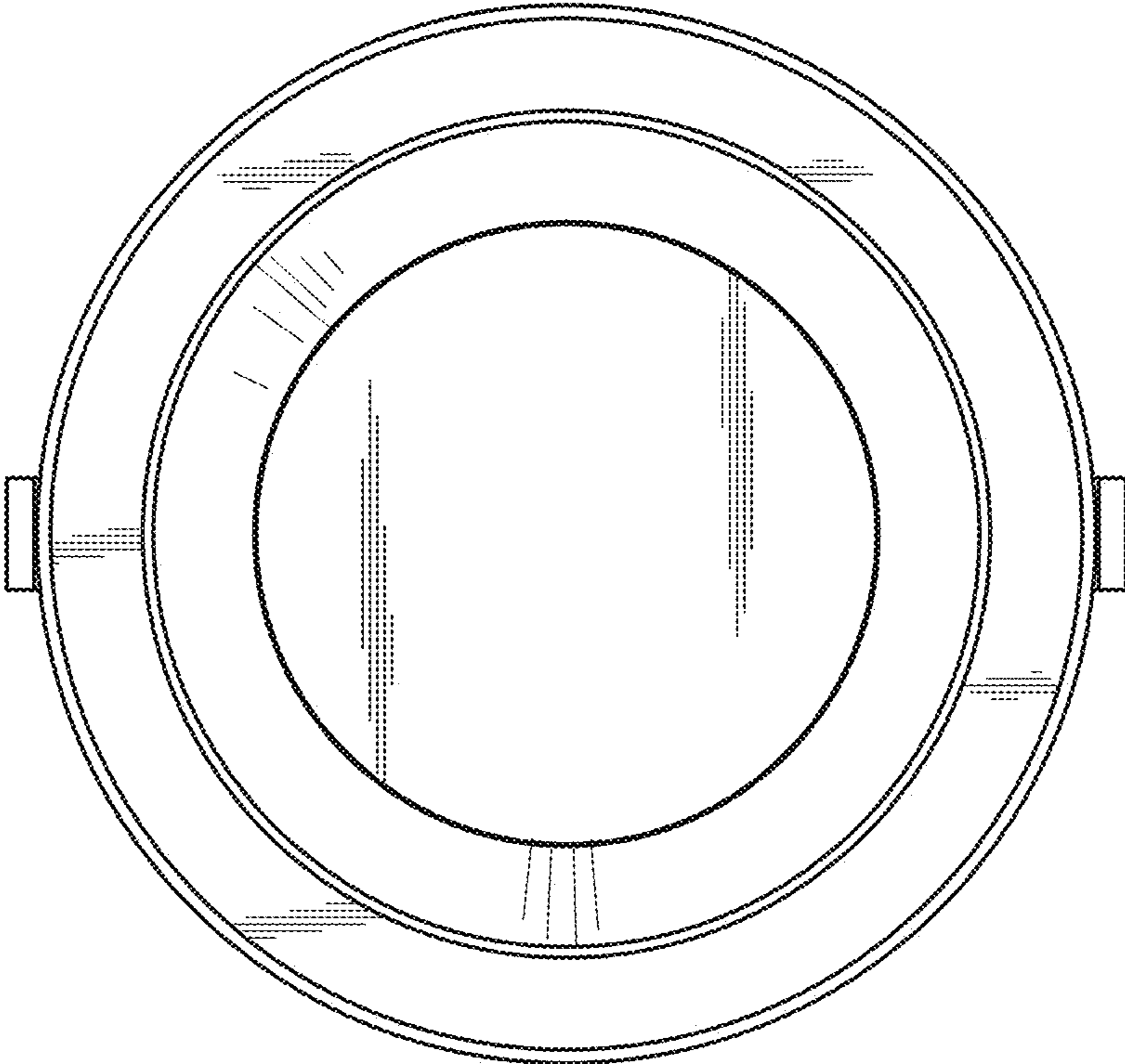


Fig. 7

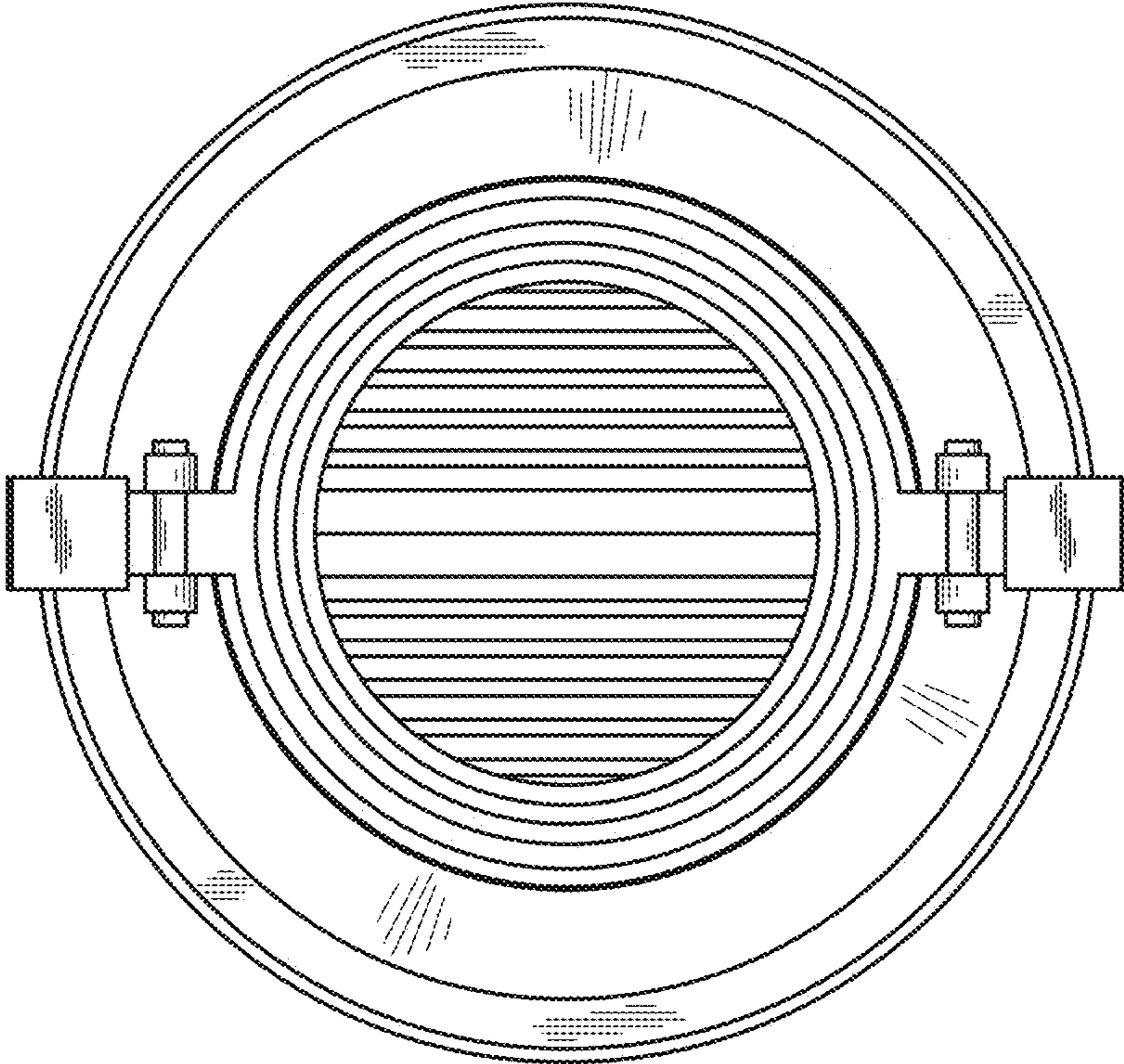


Fig. 8