



US00D767807S

(12) **United States Design Patent** (10) **Patent No.:** **US D767,807 S**  
**Zhou** (45) **Date of Patent:** **\*\* Sep. 27, 2016**

(54) **LIGHTING ASSEMBLY**

2013/0265780 A1 10/2013 Choksi et al.

\* cited by examiner

(71) Applicant: **Richpower Industries, Inc.**,  
Williamston, SC (US)

*Primary Examiner* — Brian N Vinson

(72) Inventor: **Lifeng Zhou**, Williamston, SC (US)

(74) *Attorney, Agent, or Firm* — Thrive IP; Bernard S. Klosowski

(73) Assignee: **Richpower Industries Inc.**,  
Williamston, SC (US)

(57) **CLAIM**

The ornamental design for a lighting assembly, as shown and described.

(\*\*) Term: **15 Years**

**DESCRIPTION**

(21) Appl. No.: **29/534,796**

(22) Filed: **Jul. 31, 2015**

(51) **LOC (10) Cl.** ..... **26-03**

(52) **U.S. Cl.**  
USPC ..... **D26/65**

(58) **Field of Classification Search**

USPC ..... D26/1, 24, 61, 63, 65, 85, 92, 104  
CPC ..... F21V 21/14; F21V 15/01; F21V 14/02;  
F21V 21/30; F21V 21/00; F21V 14/00;  
F21S 8/00; F21S 8/003; F21S 8/043; F21Y  
2105/001

See application file for complete search history.

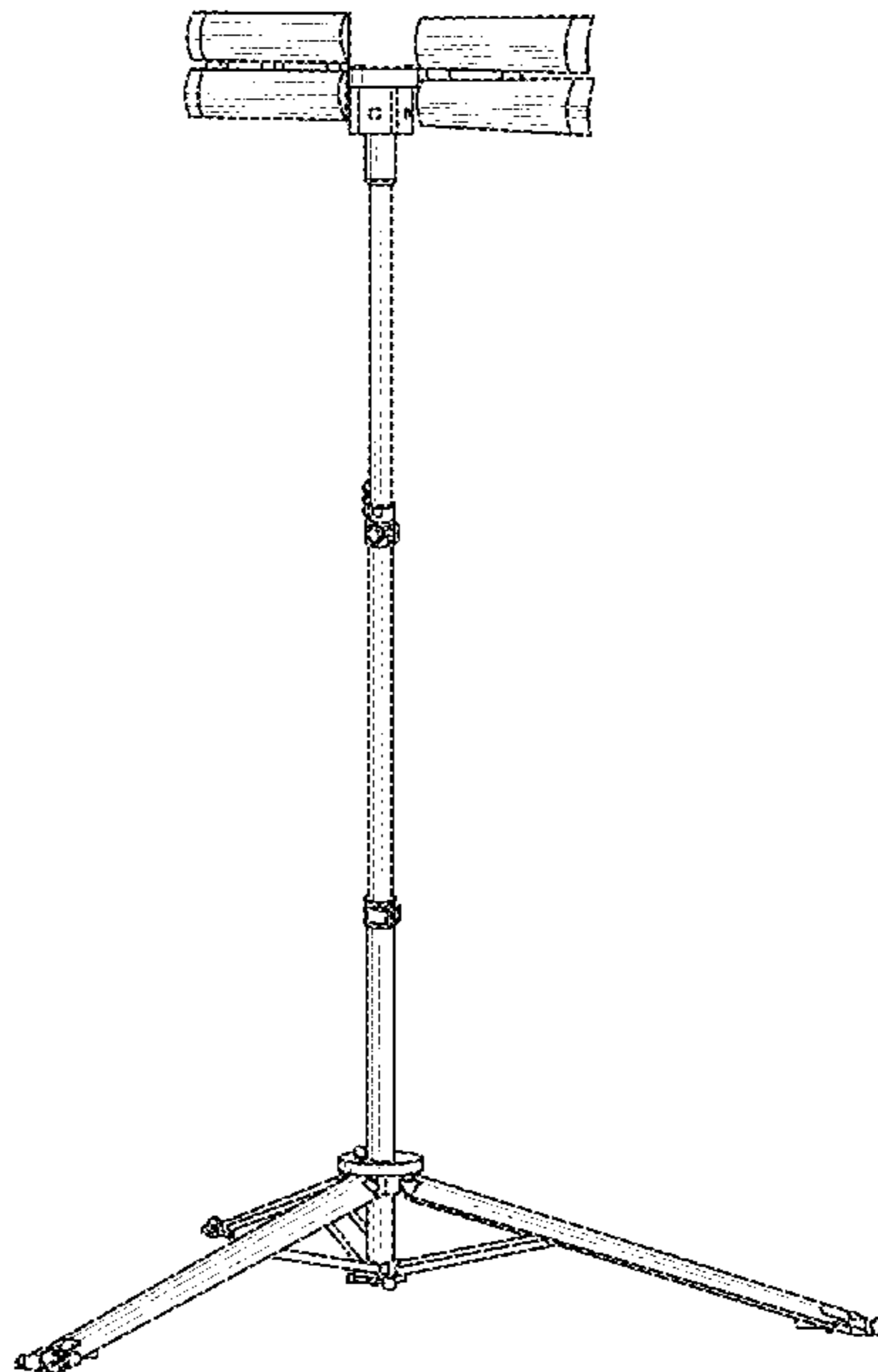
FIG. 1 is a top perspective view of the lighting assembly design in a first state;  
 FIG. 2 a bottom perspective view of the lighting assembly design as in FIG. 1;  
 FIG. 3 is a rear elevation view of the lighting assembly design as in FIG. 1;  
 FIG. 4 is a left side elevation view of the lighting assembly design as in FIG. 1;  
 FIG. 5 is a front elevation view of the lighting assembly design as in FIG. 1;  
 FIG. 6 is a right side elevation view of the lighting assembly design as in FIG. 1;  
 FIG. 7 is a front, perspective view of the lighting assembly design as in FIG. 1 in a second state;  
 FIG. 8 is a top plan view of the lighting assembly design as in FIG. 1;  
 FIG. 9 is a bottom plan view of the lighting assembly design as in FIG. 1;  
 FIG. 10 is a top plan view of the lighting assembly design as in FIG. 7;  
 FIG. 11 is a bottom plan view of the lighting assembly design as in FIG. 7; and,  
 FIG. 12 is rear, perspective view of the lighting assembly design as in FIG. 7.

(56) **References Cited**

**U.S. PATENT DOCUMENTS**

D397,234 S *	8/1998	Huang	.....	D26/63
D420,757 S *	2/2000	Peterson	.....	D26/64
D623,331 S *	9/2010	Rotwitt	.....	D26/63
D623,786 S *	9/2010	Wessel	.....	D26/51
8,651,438 B2	2/2014	Deighton et al.		
D743,603 S *	11/2015	Inskeep	.....	D26/63
D759,871 S *	6/2016	Consuegra	.....	D26/63

**1 Claim, 5 Drawing Sheets**



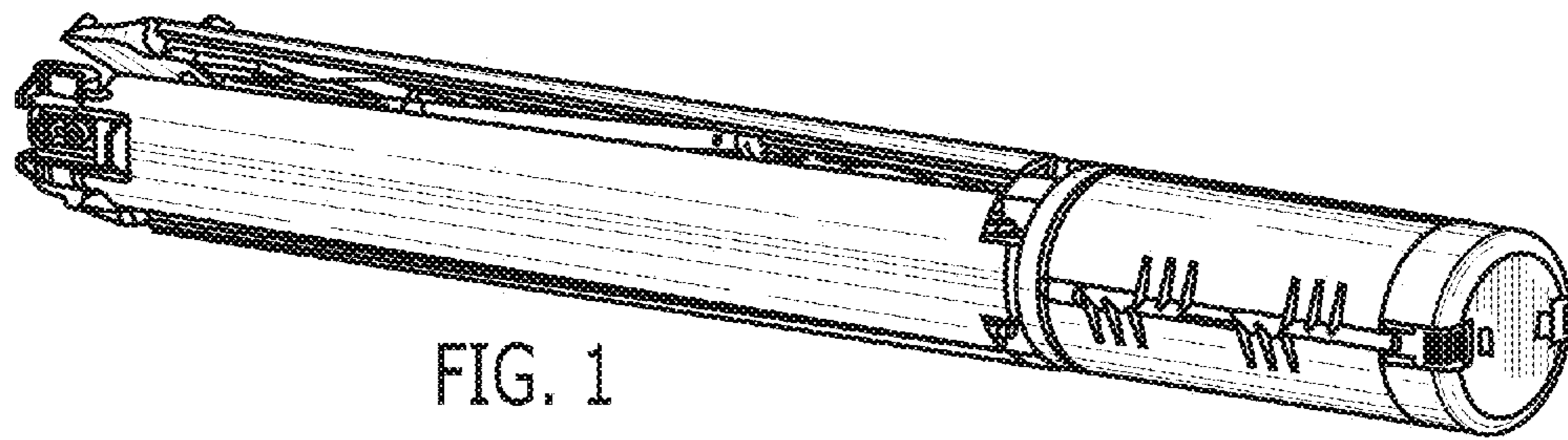


FIG. 1

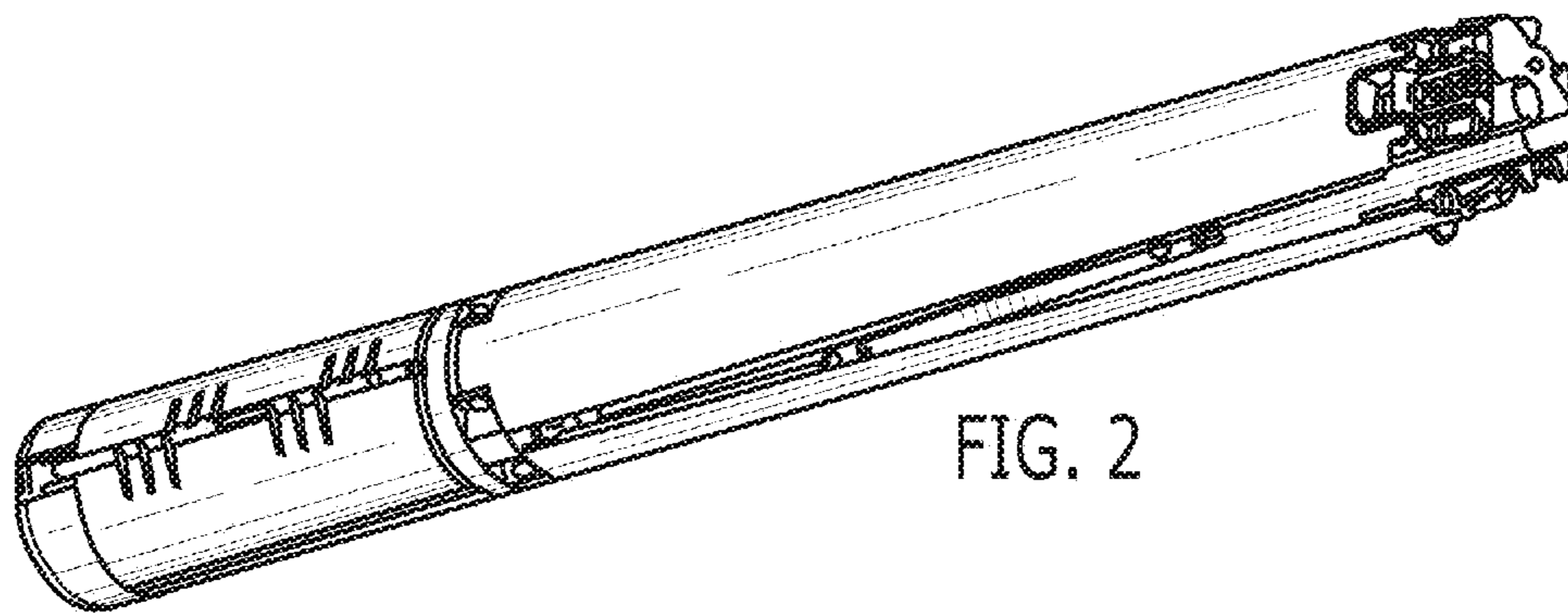


FIG. 2

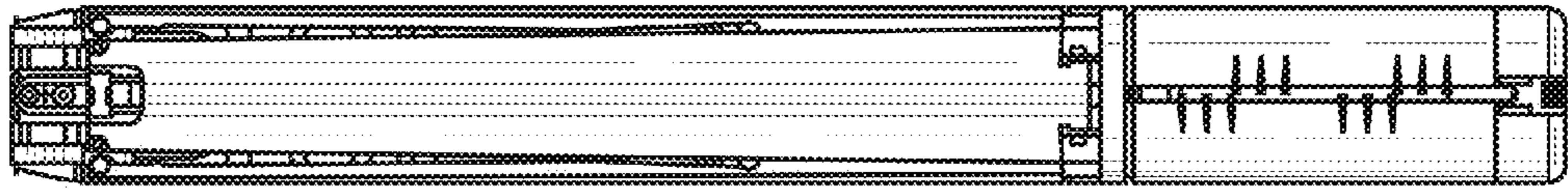


FIG. 3

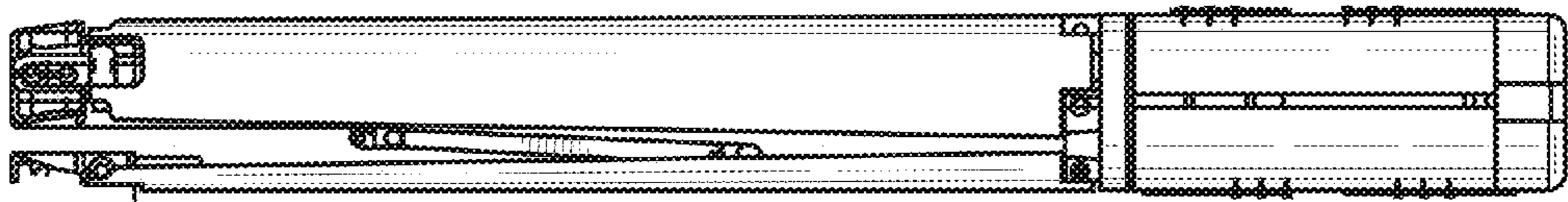


FIG. 4

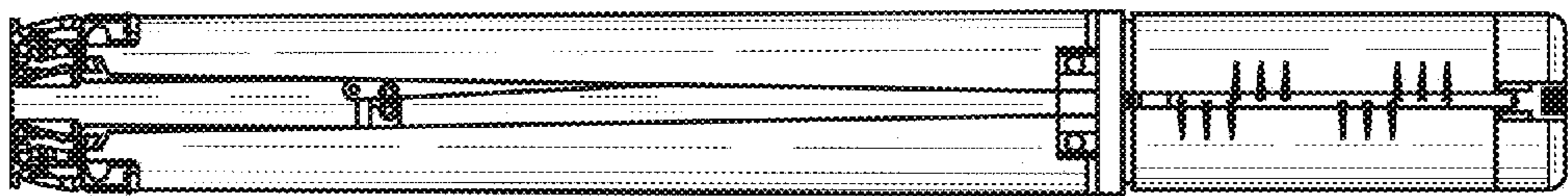


FIG. 5

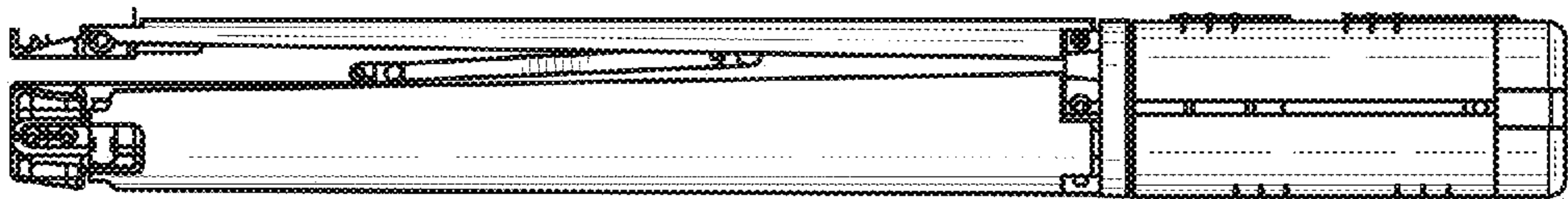
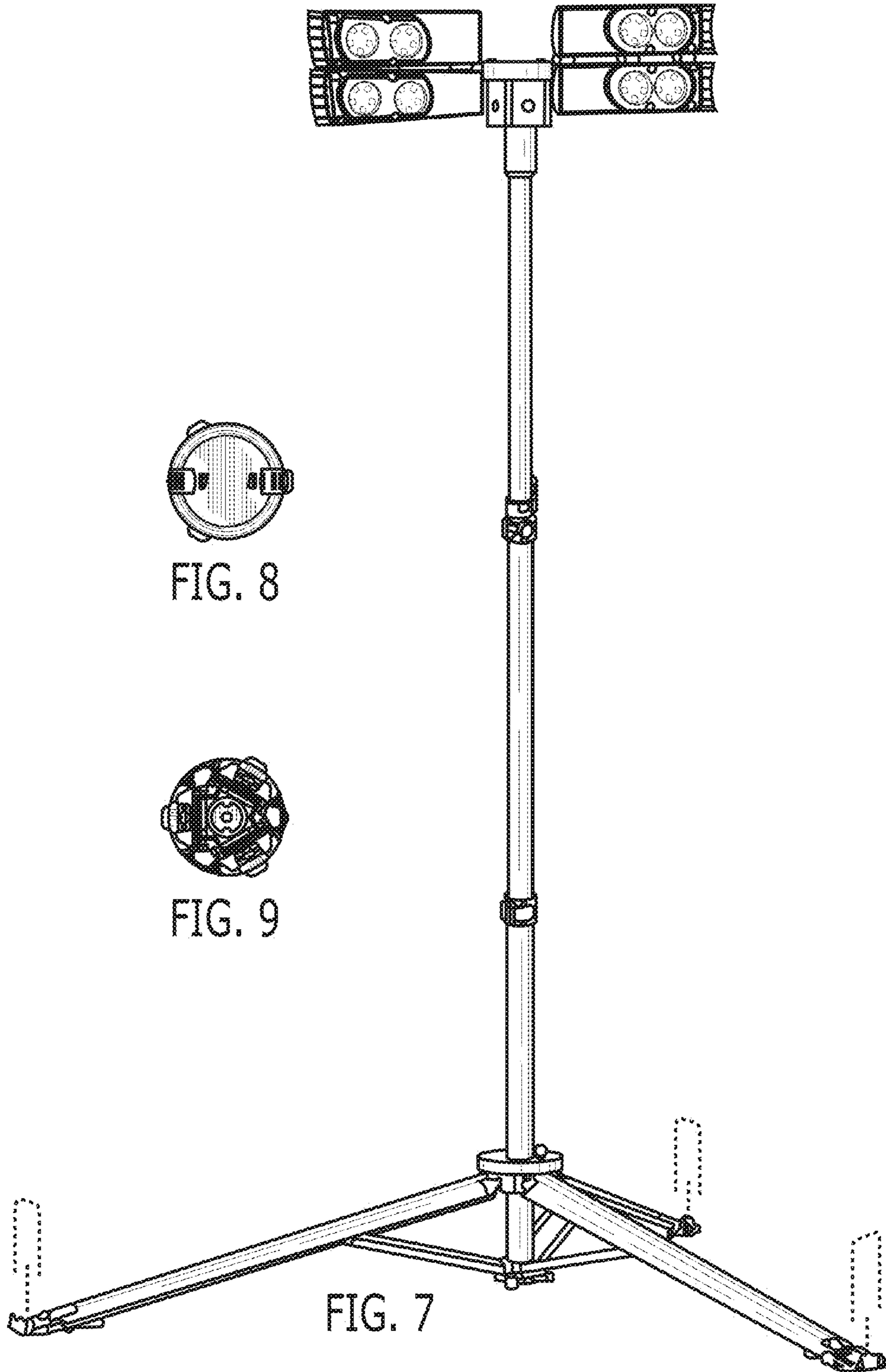
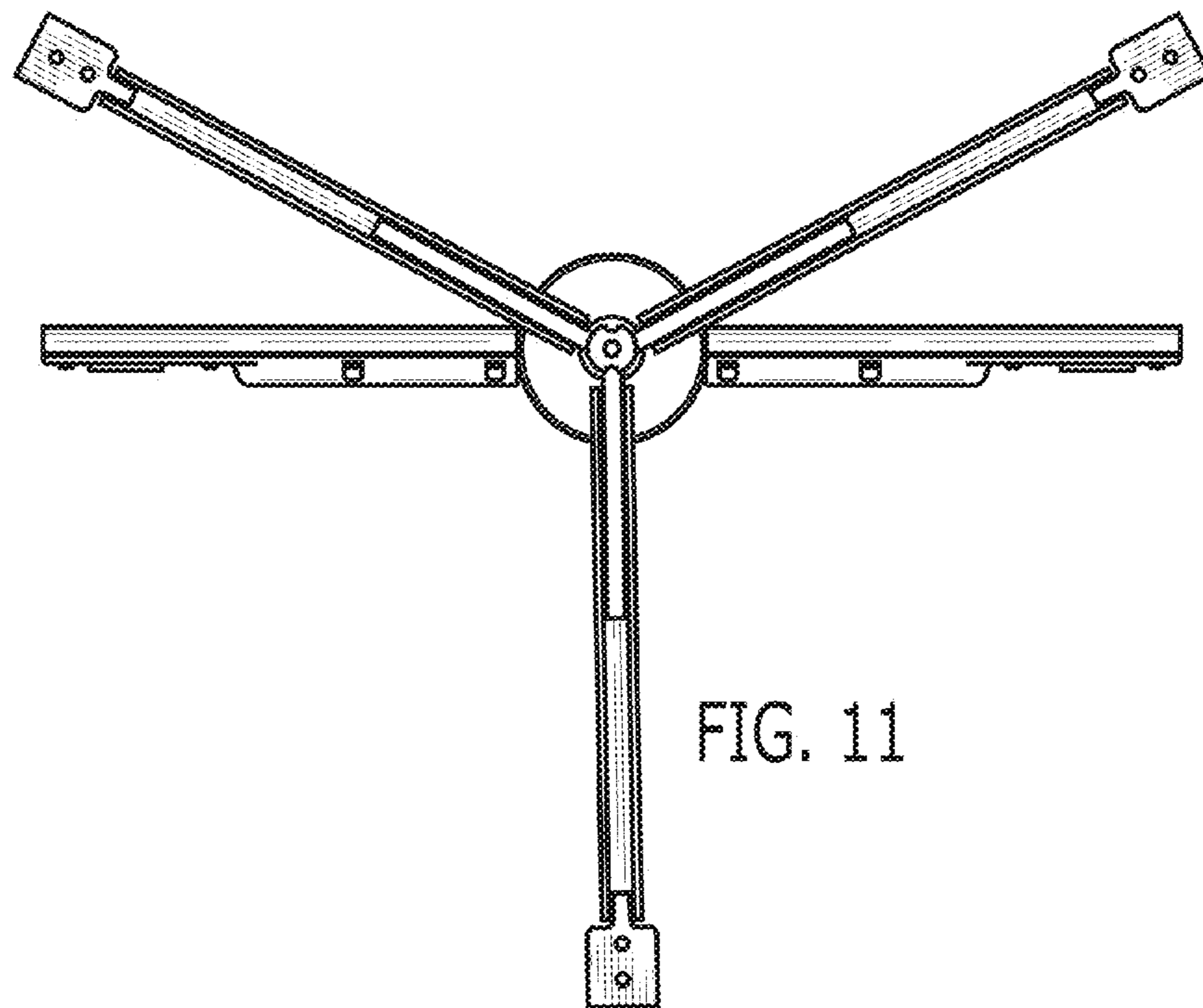
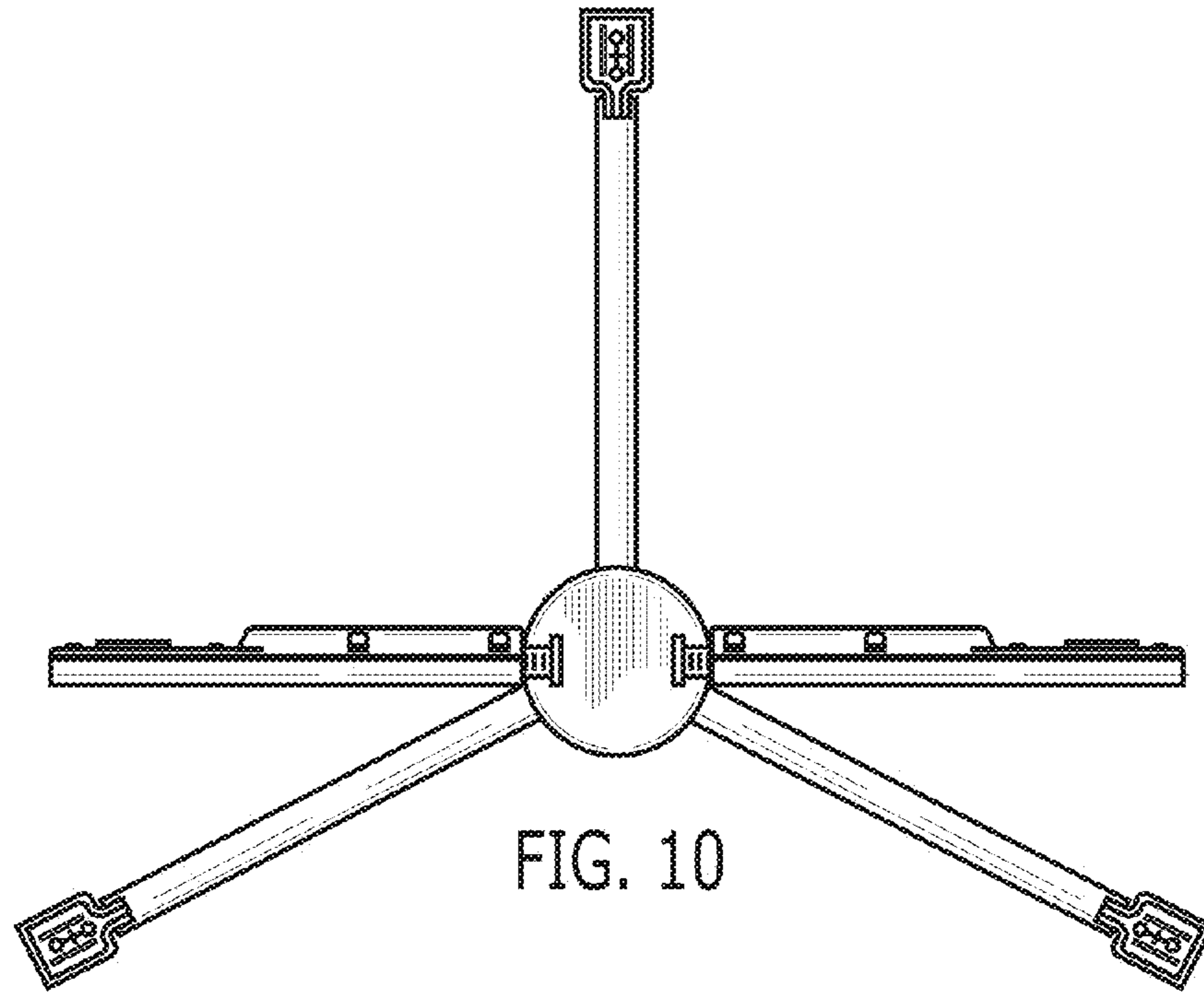


FIG. 6





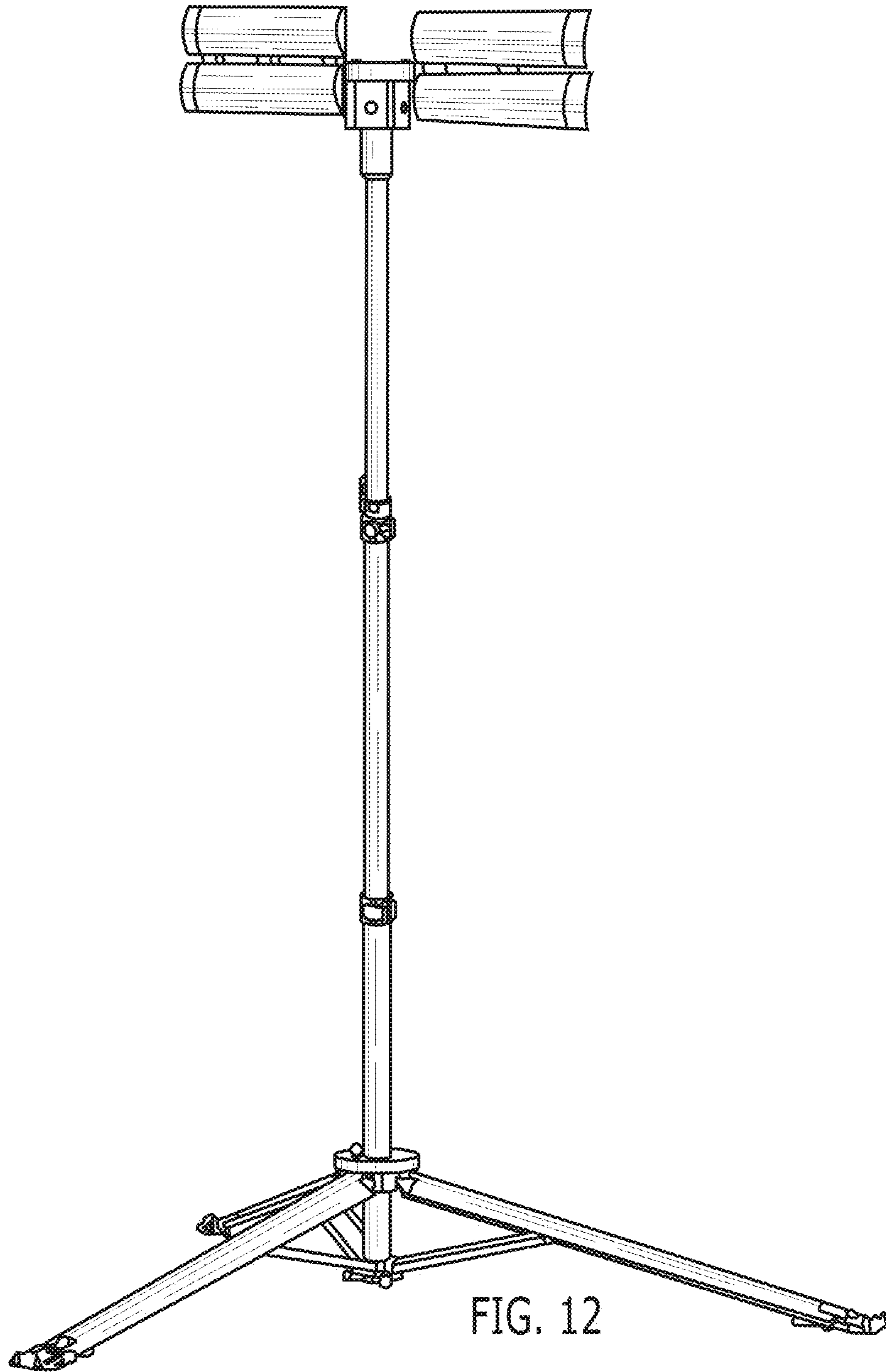


FIG. 12