

US00D767805S

(12) **United States Design Patent**
Son et al.

(10) **Patent No.:** **US D767,805 S**

(45) **Date of Patent:** **** Sep. 27, 2016**

(54) **FLASHLIGHT**

(71) Applicants: **Aaron Son**, Fountain Valley, CA (US);
Amy Truong, Fountain Valley, CA (US)

(72) Inventors: **Aaron Son**, Fountain Valley, CA (US);
Amy Truong, Fountain Valley, CA (US)

(**) Term: **14 Years**

(21) Appl. No.: **29/516,232**

(22) Filed: **Jan. 30, 2015**

D629,544 S *	12/2010	Deguglimo	D26/49
D645,816 S *	9/2011	Sasada	D13/108
D659,270 S *	5/2012	Nguyen	D26/49
D683,877 S *	6/2013	Brands	D26/49
D698,961 S *	2/2014	Dalton	D26/49
D703,134 S *	4/2014	Wong	D13/108
D709,231 S *	7/2014	Nguyen	D26/49
D709,234 S *	7/2014	Inskeep	D26/49
D719,286 S *	12/2014	Inskeep	D26/49
D719,694 S *	12/2014	Nawaz	D22/117
D732,721 S *	6/2015	Popper	D26/49
D733,050 S *	6/2015	Chiang	D13/103
D745,200 S *	12/2015	Inskeep	D26/49
D745,987 S *	12/2015	Nawaz	D22/117
D747,024 S *	1/2016	Windom	D26/49
D749,044 S *	2/2016	Huang	D13/108

Related U.S. Application Data

(63) Continuation-in-part of application No. 14/542,272,
filed on Nov. 14, 2014.

(51) **LOC (10) Cl.** **26-02**

(52) **U.S. Cl.**
USPC **D26/49**

(58) **Field of Classification Search**
USPC D26/37, 38, 46, 49, 51; 362/157, 158,
362/183, 184, 194–196, 202–208, 253;
D13/103, 108

CPC F21L 2003/00; F21L 4/00; F21L 4/005;
F21L 4/02; F21L 4/025; F21L 4/027; F21L
4/04; F21L 4/08; F21L 2005/00; F21L 7/00;
F21L 11/00; F21L 13/00; F21L 13/04;
F21L 13/08; F21L 14/02; F21L 17/00;
F21L 19/00; F21L 25/00

See application file for complete search history.

(56) **References Cited**

U.S. PATENT DOCUMENTS

D532,138 S *	11/2006	Wang	D26/49
D598,374 S *	8/2009	Sasada	D13/108

* cited by examiner

Primary Examiner — Ian Simmons

Assistant Examiner — Carissa C Fitts

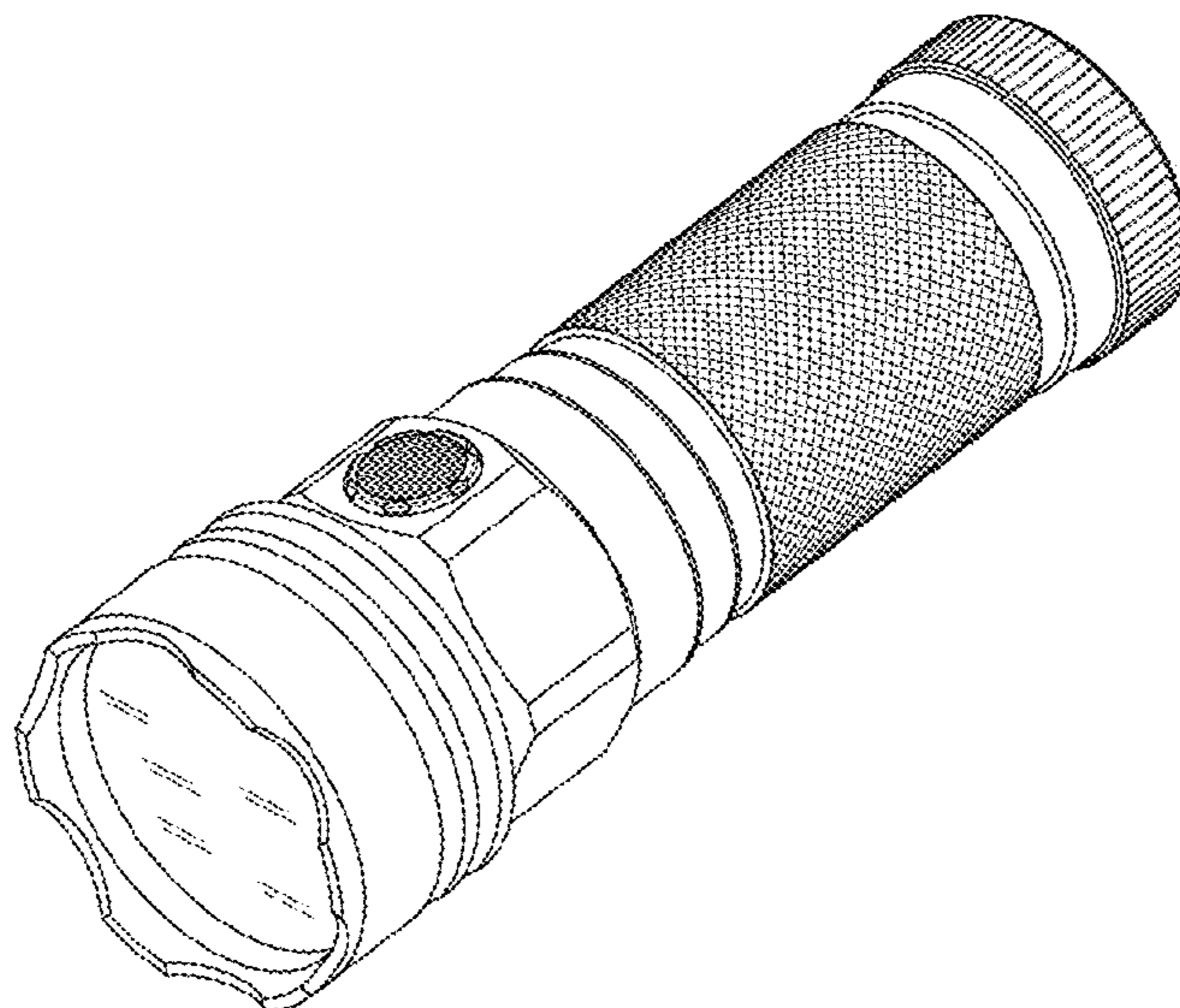
(57) **CLAIM**

The ornamental design for a flashlight, as shown and described.

DESCRIPTION

FIG. 1 is a front perspective view of a flashlight showing my new design;
FIG. 2 is a back perspective view thereof;
FIG. 3 is a front view thereof;
FIG. 4 is a back view thereof;
FIG. 5 is a side view thereof;
FIG. 6 is an opposite side view thereof;
FIG. 7 is a top view thereof; and,
FIG. 8 is a bottom view thereof.

1 Claim, 7 Drawing Sheets



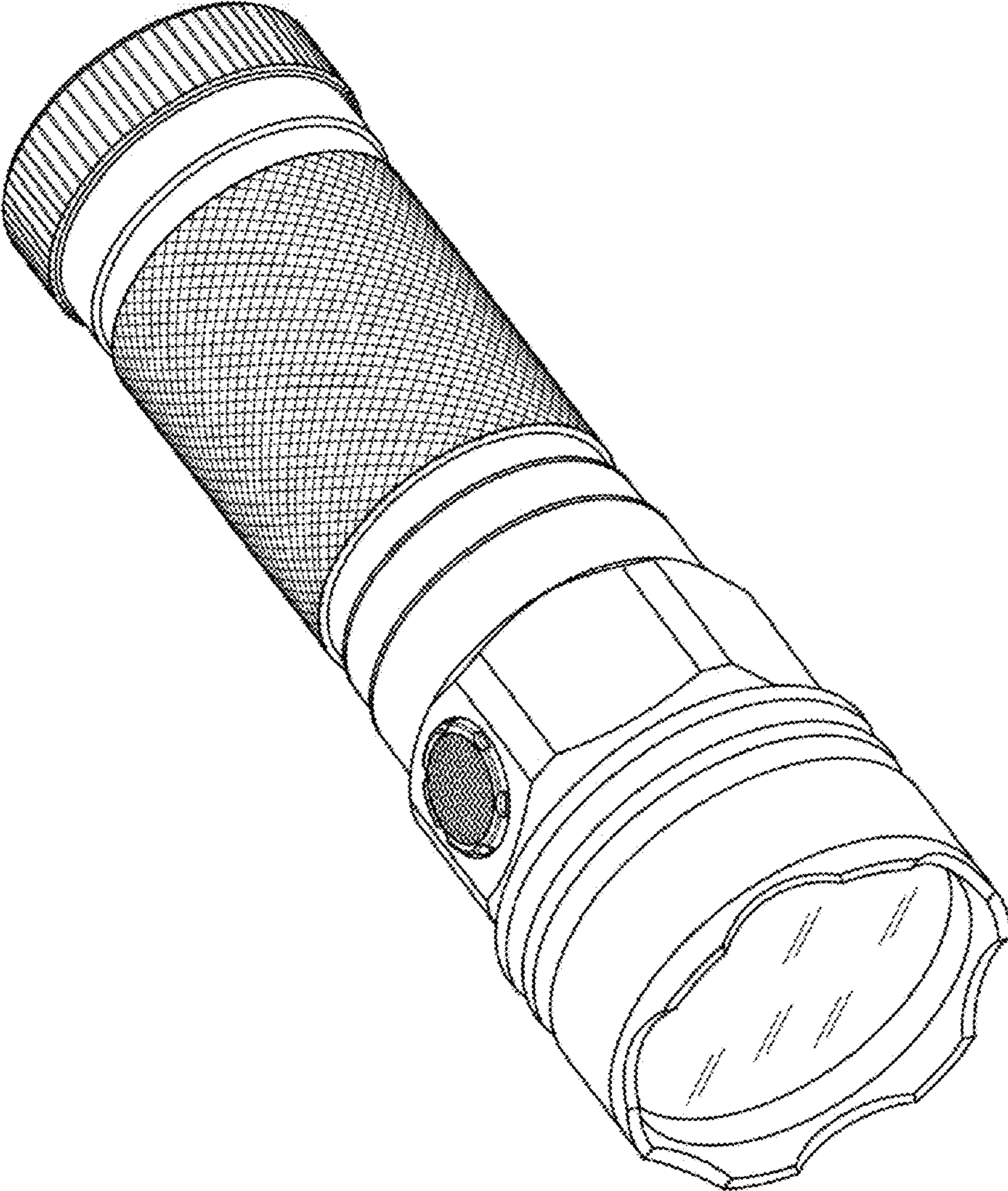


FIG. 1

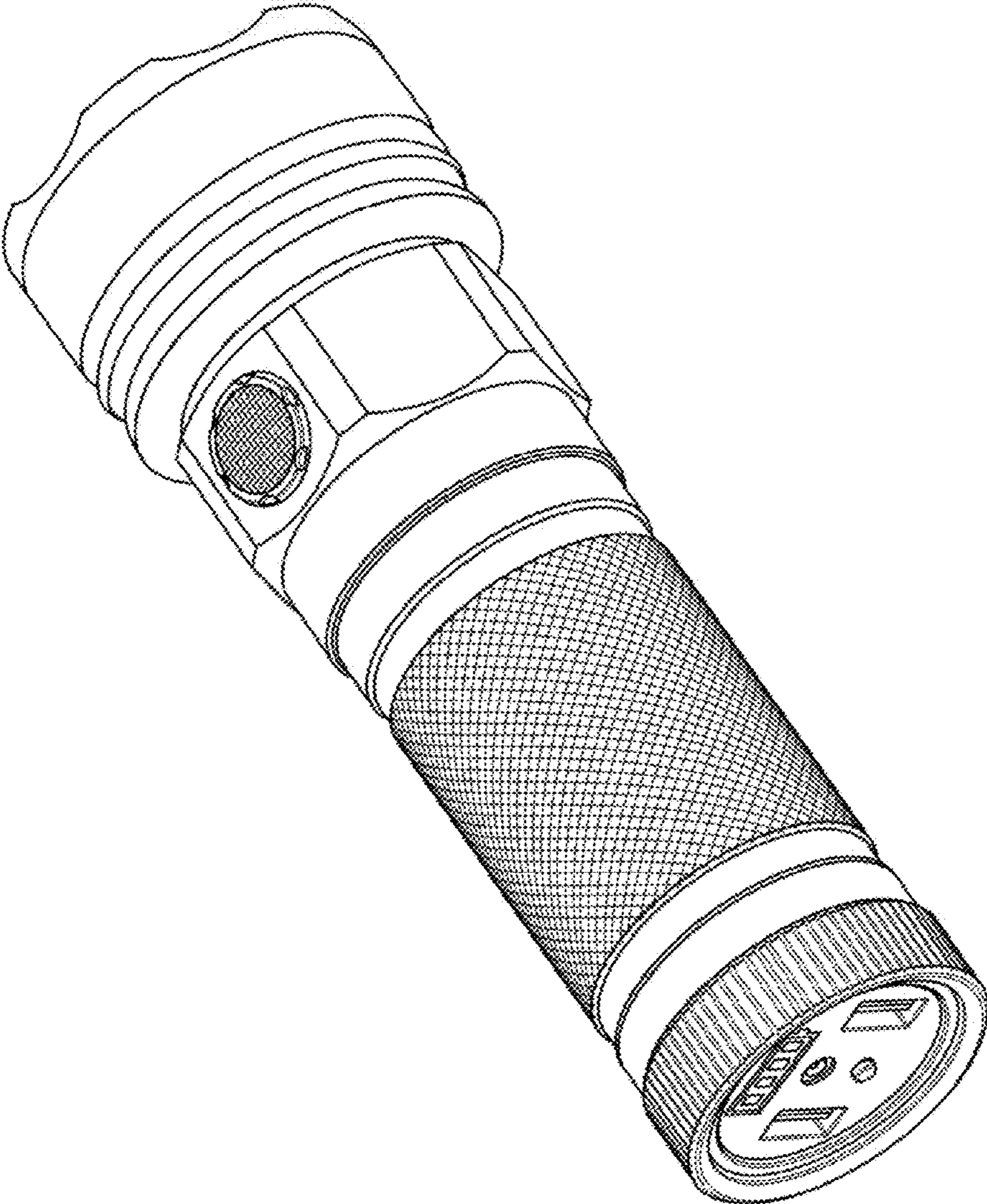


FIG. 2

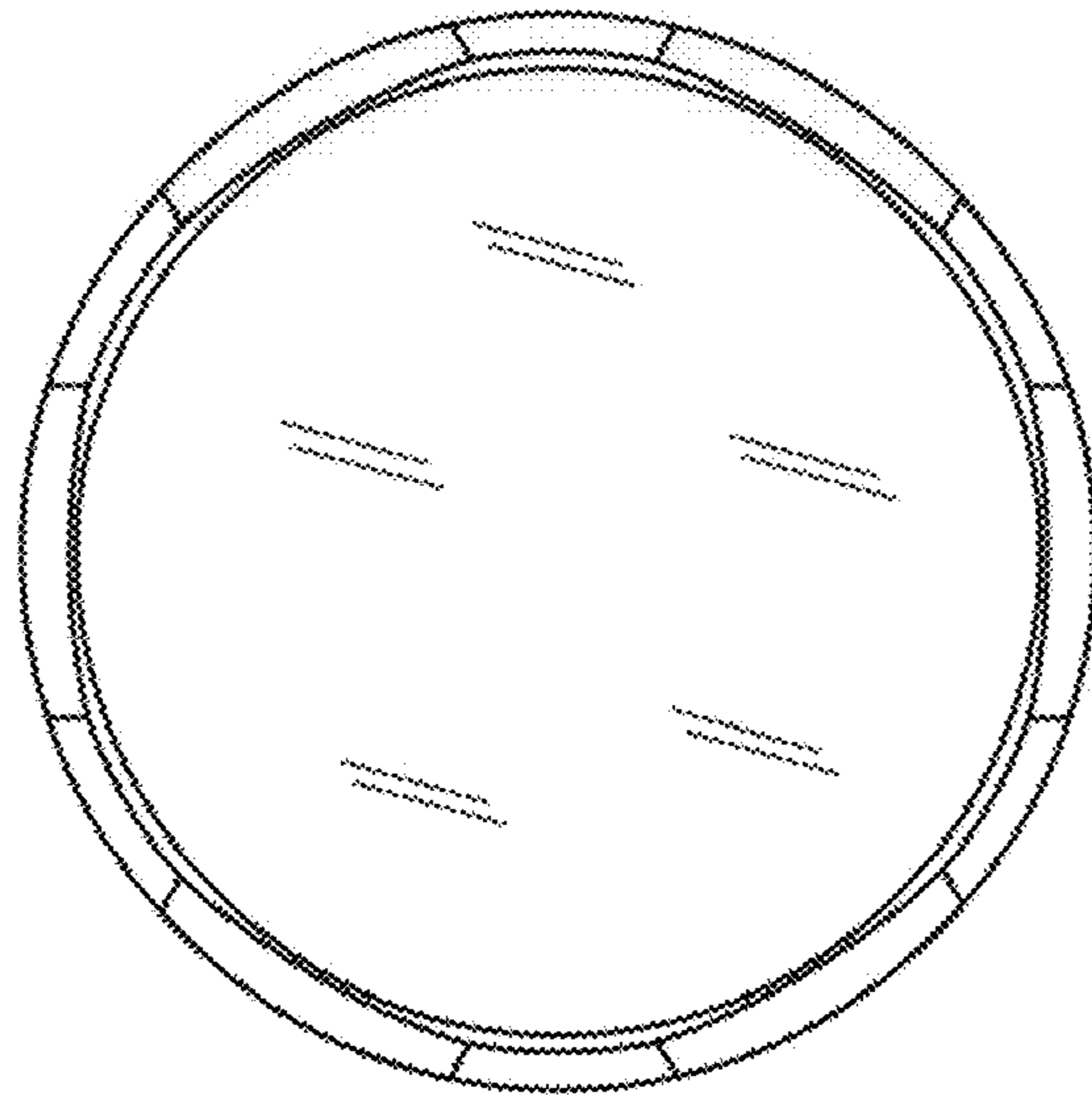


FIG. 3

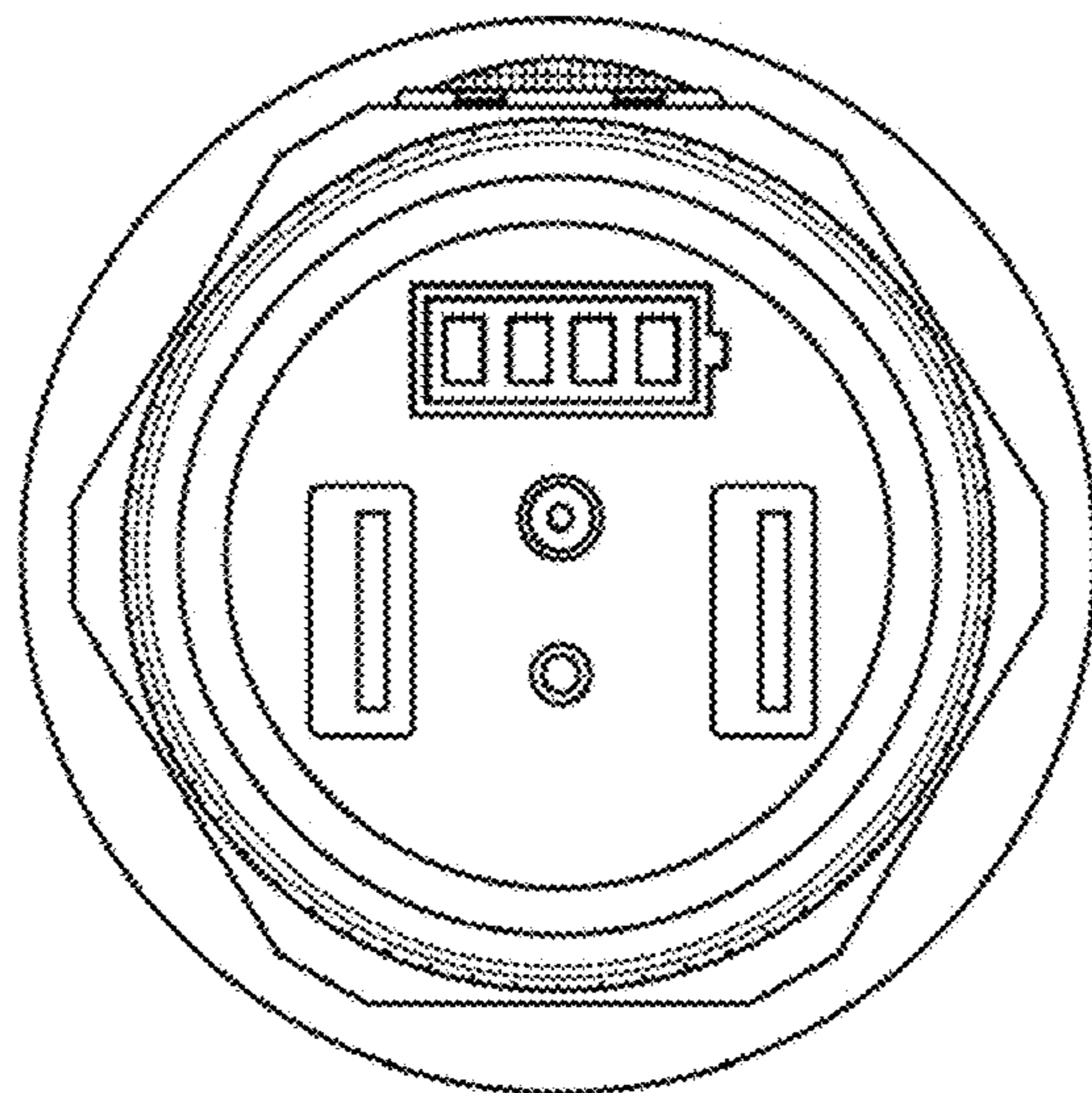


FIG. 4

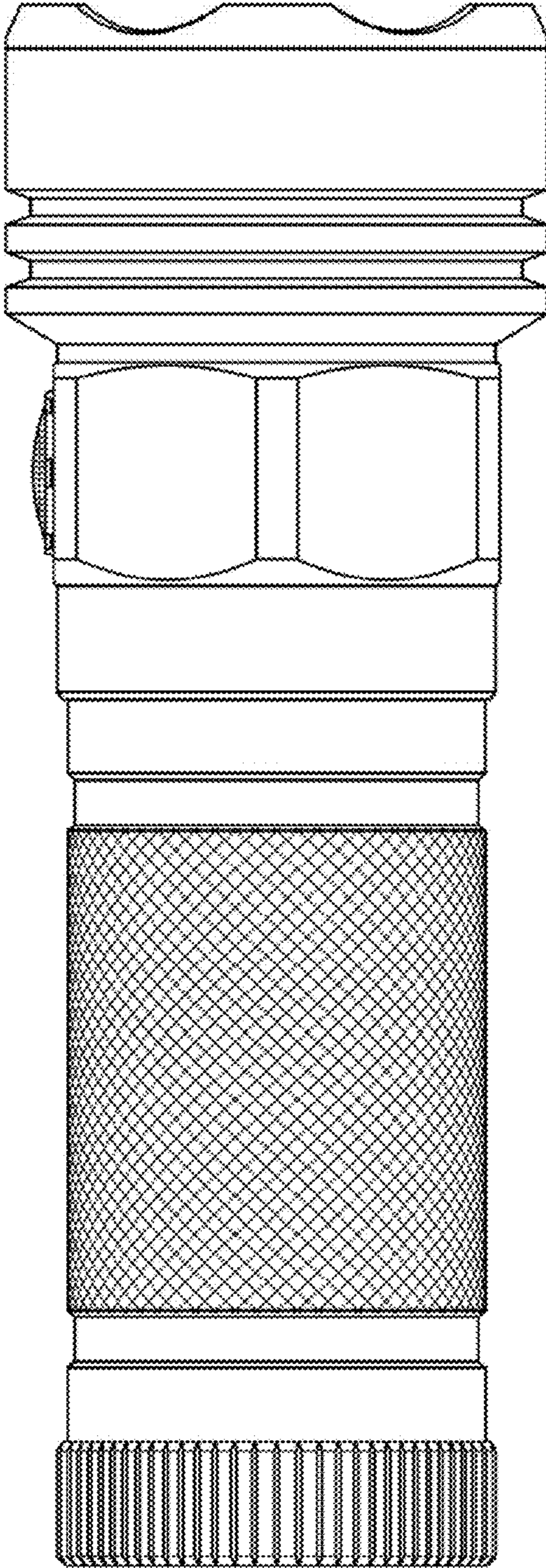


FIG. 5

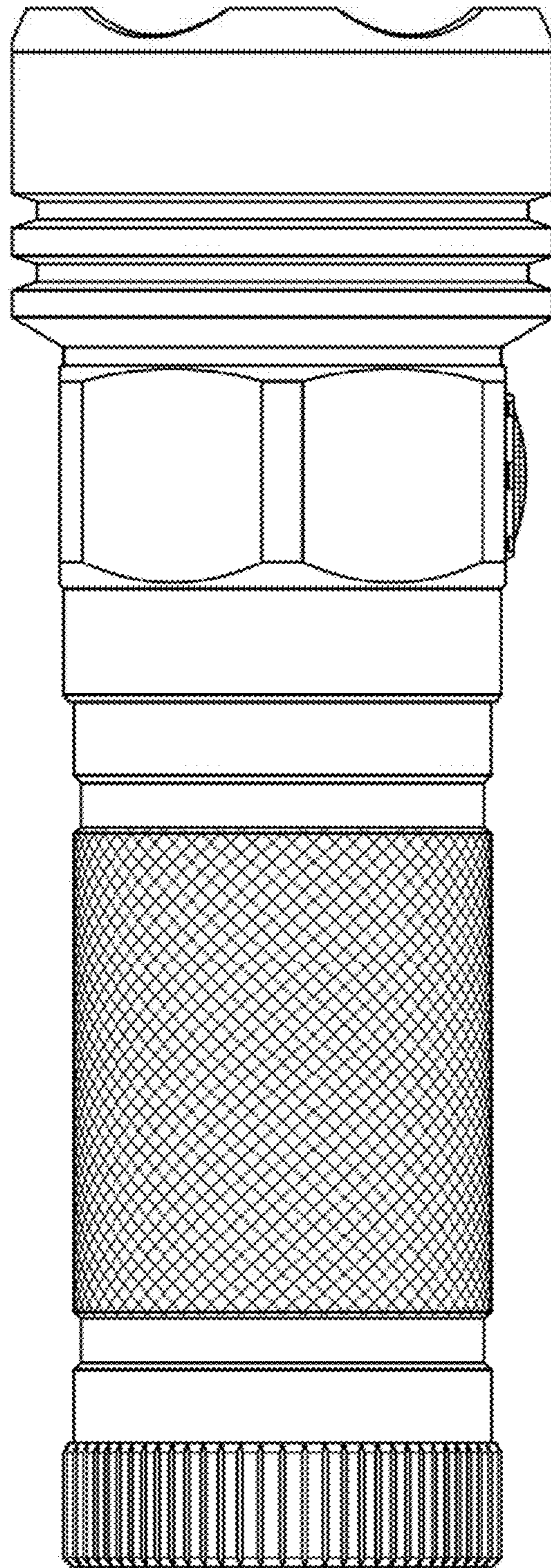


FIG. 6

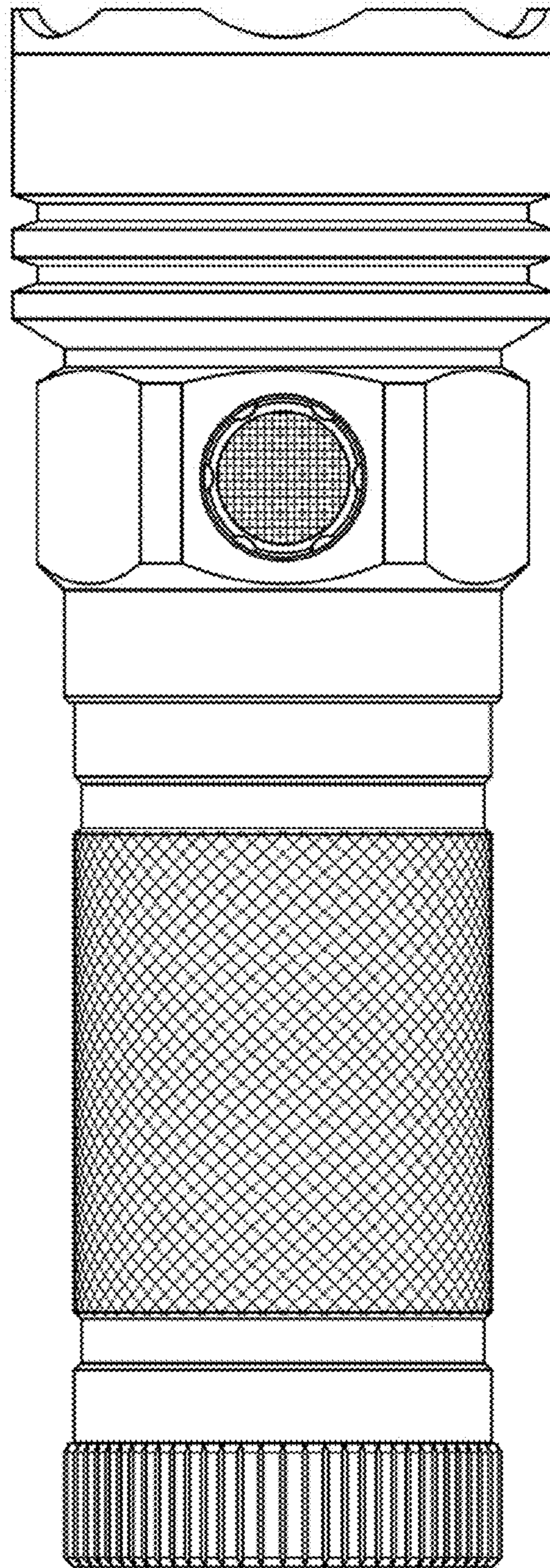


FIG. 7

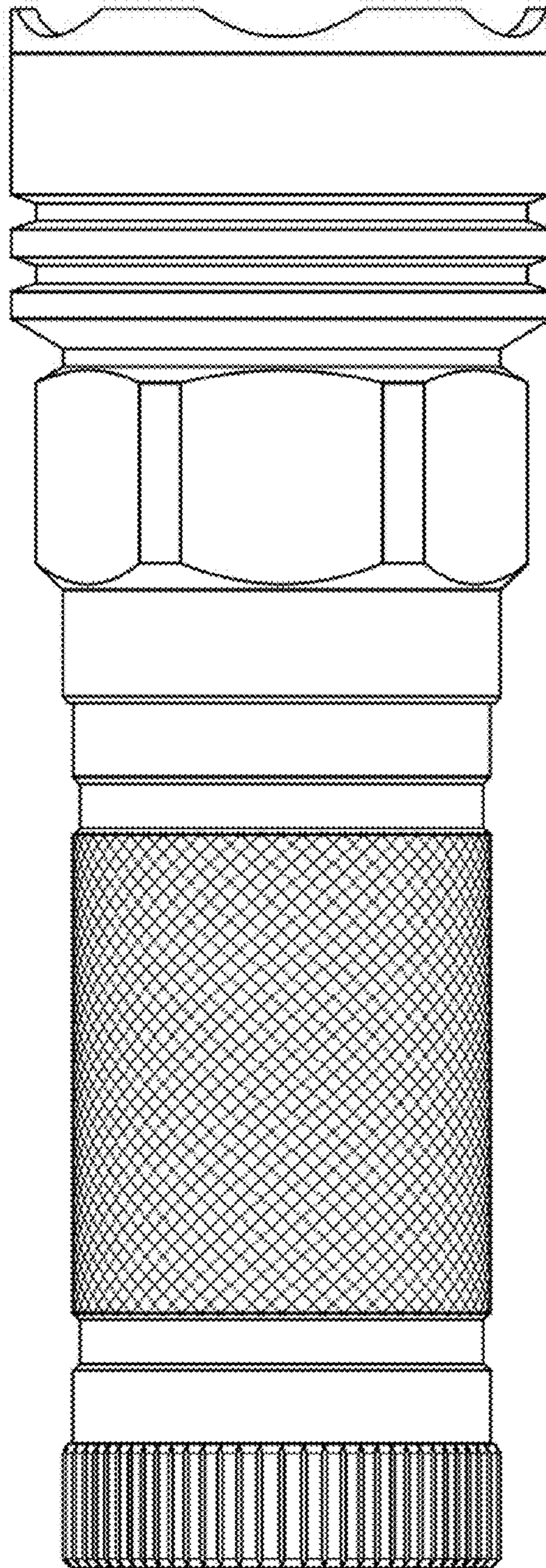


FIG. 8