

US00D767802S

(12) **United States Design Patent** (10) **Patent No.:** **US D767,802 S**  
**Maeda** (45) **Date of Patent:** **\*\* Sep. 27, 2016**

(54) **CHARATER LINE FOR REAR PORTION OF AUTOMOBILE**

(71) Applicants: **MITSUBISHI JIDOSHA KOGYO KABUSHIKI KAISHA**, Tokyo (JP); **MITSUBISHI JIDOSHA ENGINEERING KABUSHIKI KAISHA**, Okazaki-shi, Aichi (JP)

(72) Inventor: **Hidenori Maeda**, Anjo (JP)

(73) Assignees: **MITSUBISHI JIDOSHA KOGYO KABUSHIKI KAISHA**, Tokyo (JP); **MITSUBISHI JIDOSHA ENGINEERING KABUSHIKI KAISHA**, Aichi (JP)

(\*\*) Term: **14 Years**

(21) Appl. No.: **29/521,381**

(22) Filed: **Mar. 23, 2015**

(30) **Foreign Application Priority Data**

Sep. 24, 2014 (JP) ..... 2014-021004

(51) **LOC (10) Cl.** ..... **26-06**

(52) **U.S. Cl.**  
USPC ..... **D26/28**

(58) **Field of Classification Search**  
USPC ..... D26/28-36; 362/61, 80-83, 267-269, 362/459-468, 475-478, 485-487  
CPC ..... F21S 48/00; F21S 48/10; F21S 48/115; F21S 48/225; F21S 48/1233; F21S 48/1266; F21S 48/1388; F21S 48/2268; B60Q 1/26; B60Q 1/50; B60Q 1/32; B60Q 1/34; B60Q 3/044

See application file for complete search history.

(56) **References Cited**

U.S. PATENT DOCUMENTS

D592,333 S *	5/2009	Hsu .....	D26/28
D631,585 S *	1/2011	Koizumi .....	D26/28
D650,500 S *	12/2011	Futschik .....	D26/28
D654,197 S *	2/2012	Szews .....	D26/28
D657,894 S *	4/2012	Frenzel .....	D26/28

\* cited by examiner

*Primary Examiner* — Marcus Jackson

(74) *Attorney, Agent, or Firm* — Birch, Stewart, Kolasch & Birch, LLP

(57) **CLAIM**

The ornamental design for character line for rear portion of automobile, as shown and described.

**DESCRIPTION**

FIG. 1 is a front perspective view of the front, top and right side of character line for rear portion of automobile showing my new design;

FIG. 2 is a rear perspective view of the rear, top and right side thereof;

FIG. 3 is a right side view thereof;

FIG. 4 is a left side view thereof;

FIG. 5 is a front view thereof;

FIG. 6 is a rear view thereof; and,

FIG. 7 is a top plan view thereof.

The bottom is unornamental.

The broken lines shown are included for the purpose of illustrating the unclaimed portions of character line for rear portion of automobile and form no part of the claimed design.

**1 Claim, 7 Drawing Sheets**

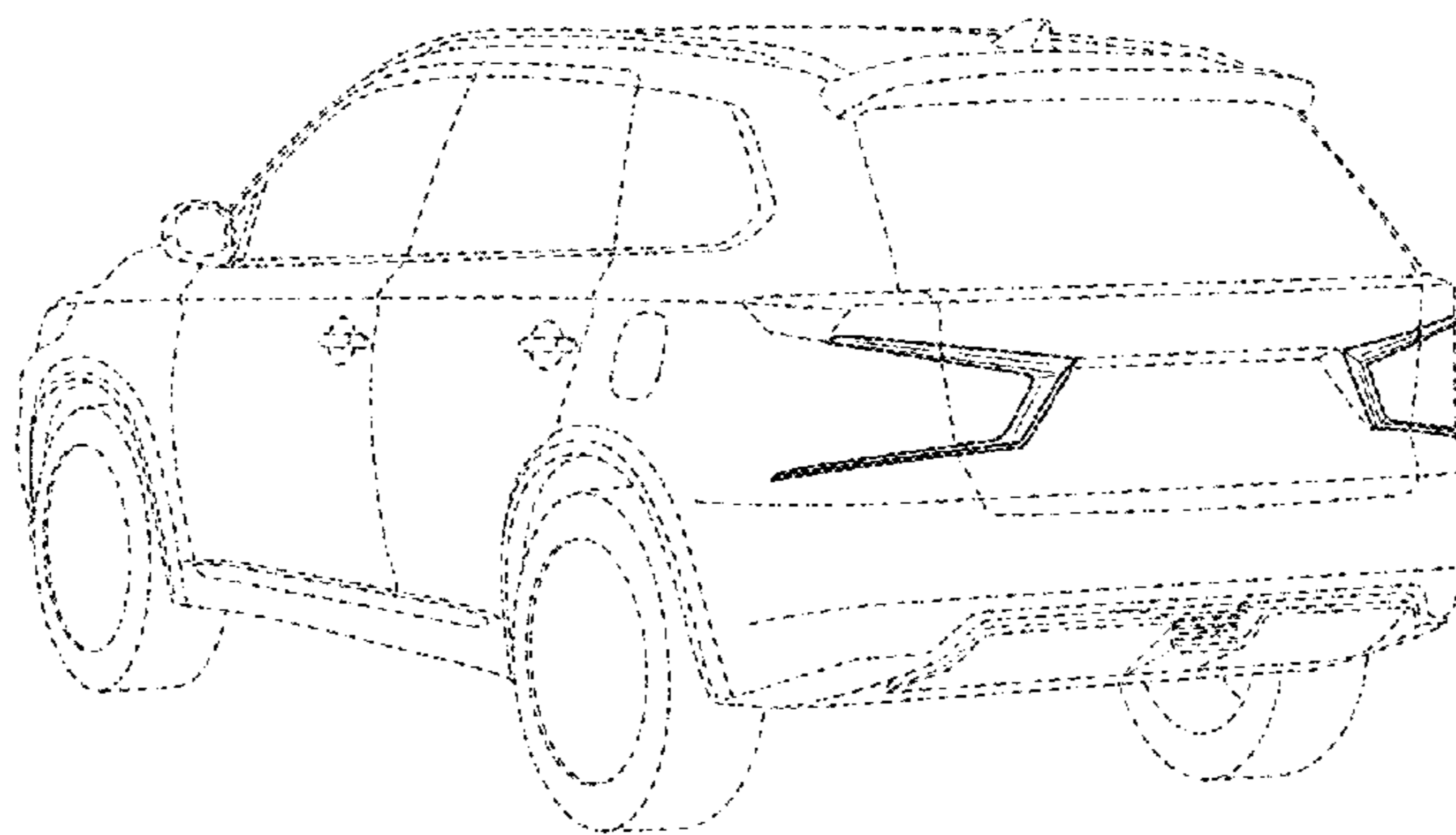


Fig. 1

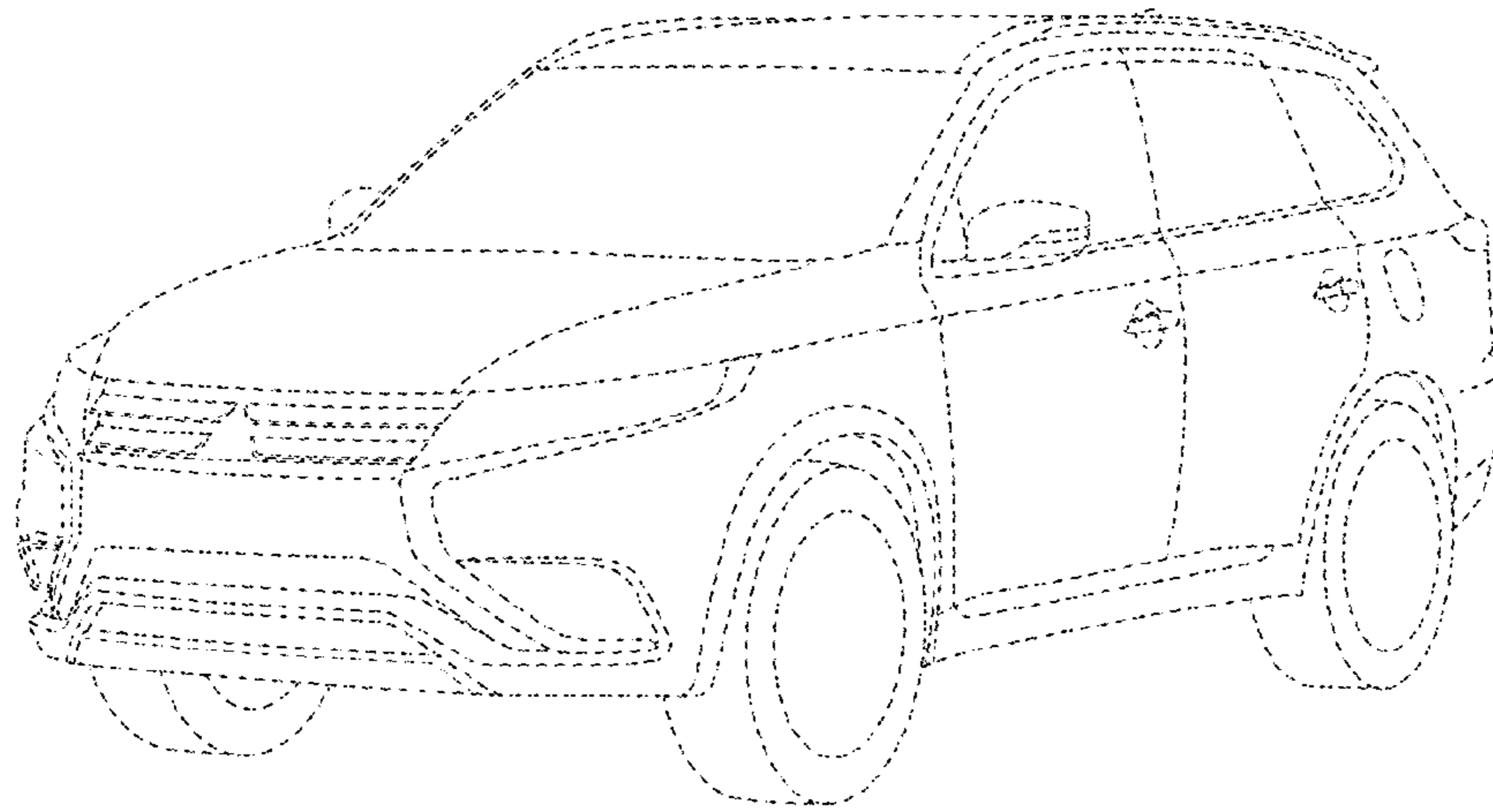


Fig. 2

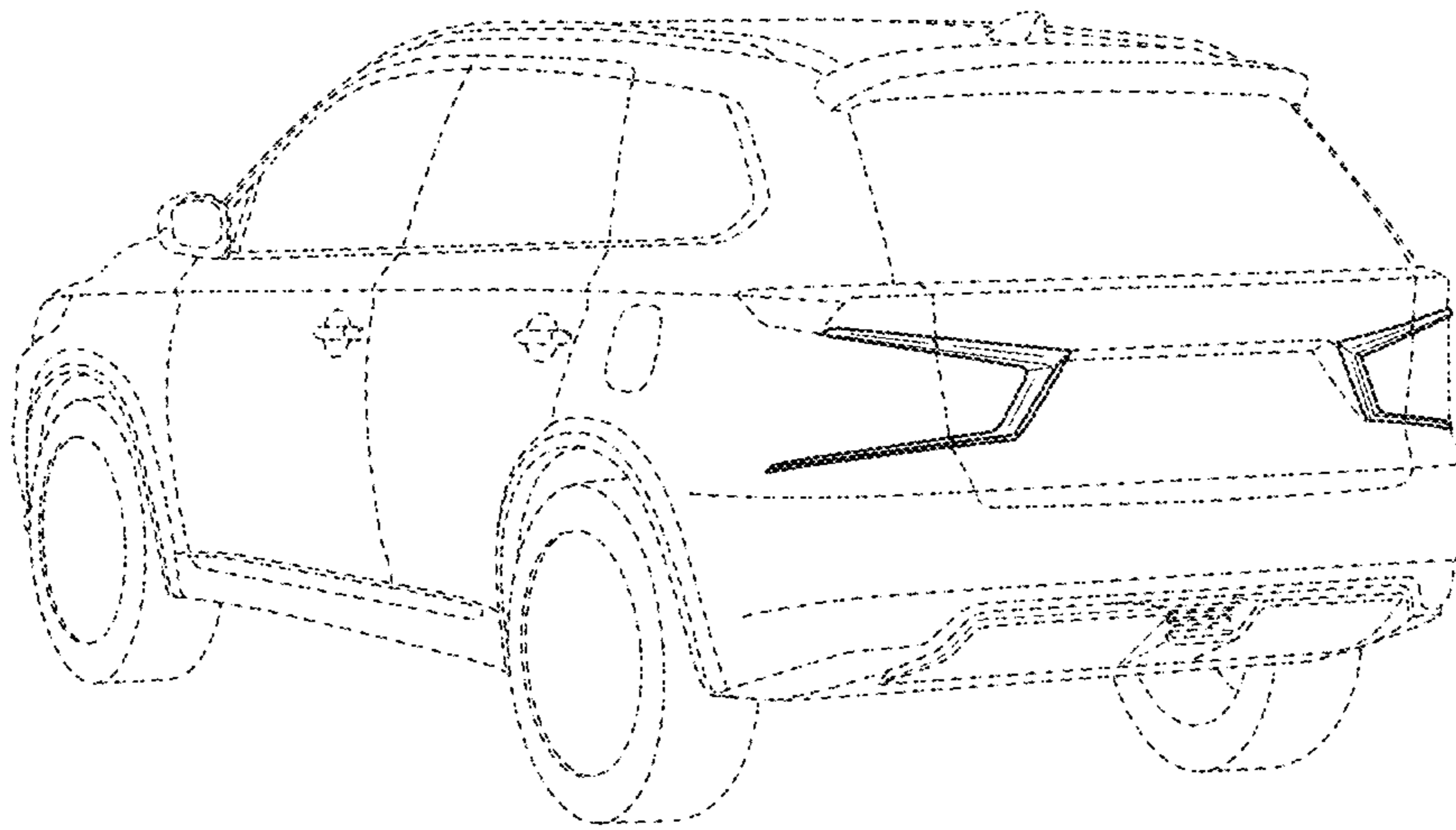


Fig. 3

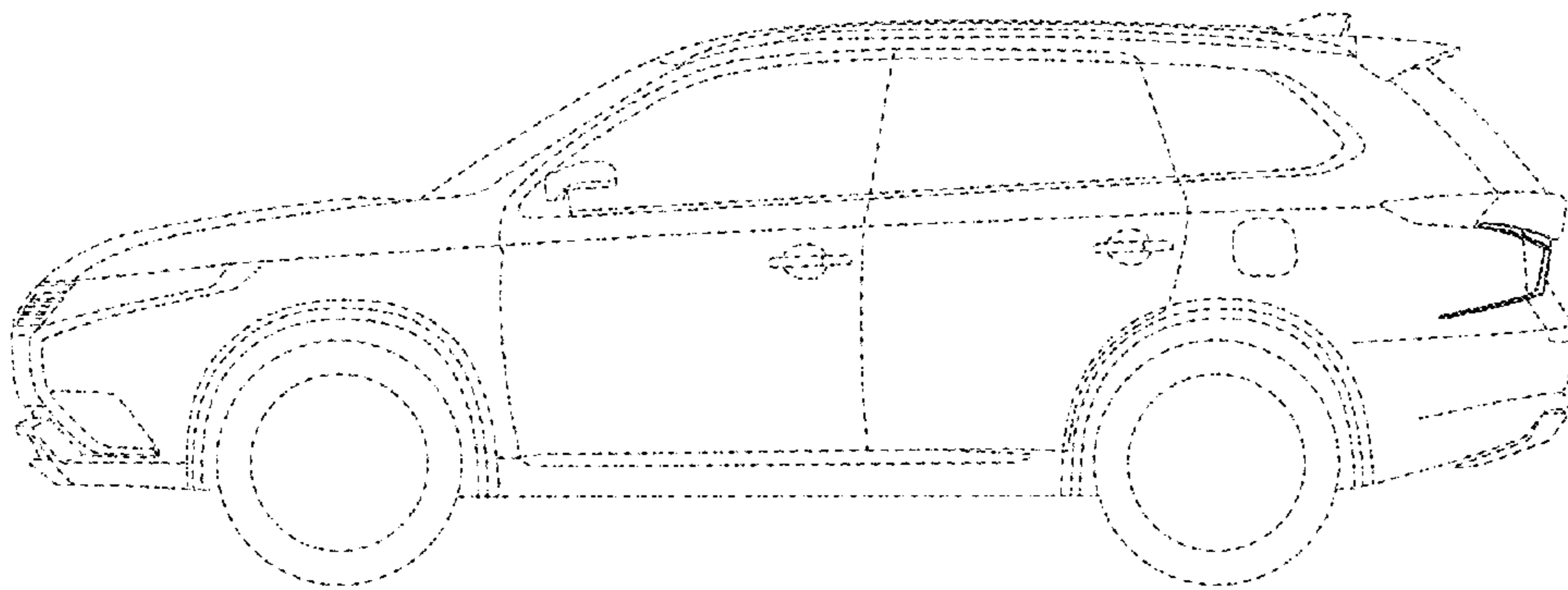


Fig. 4

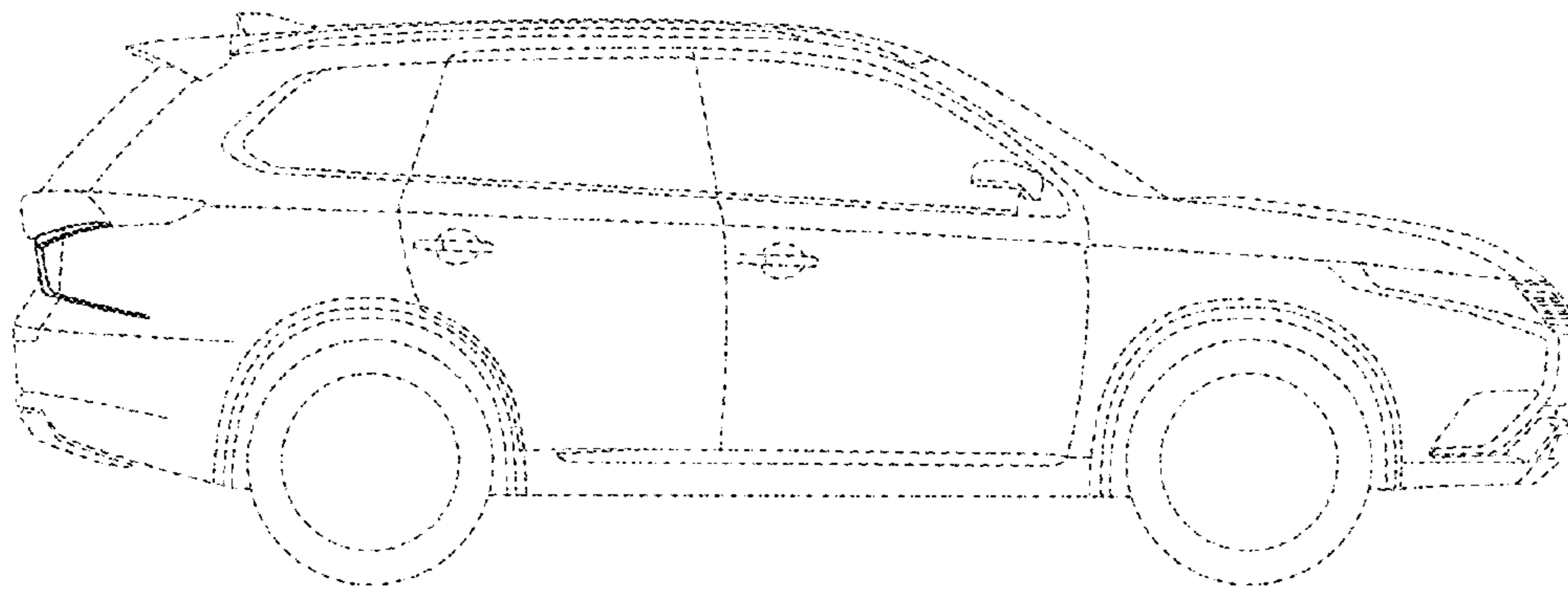


Fig. 5

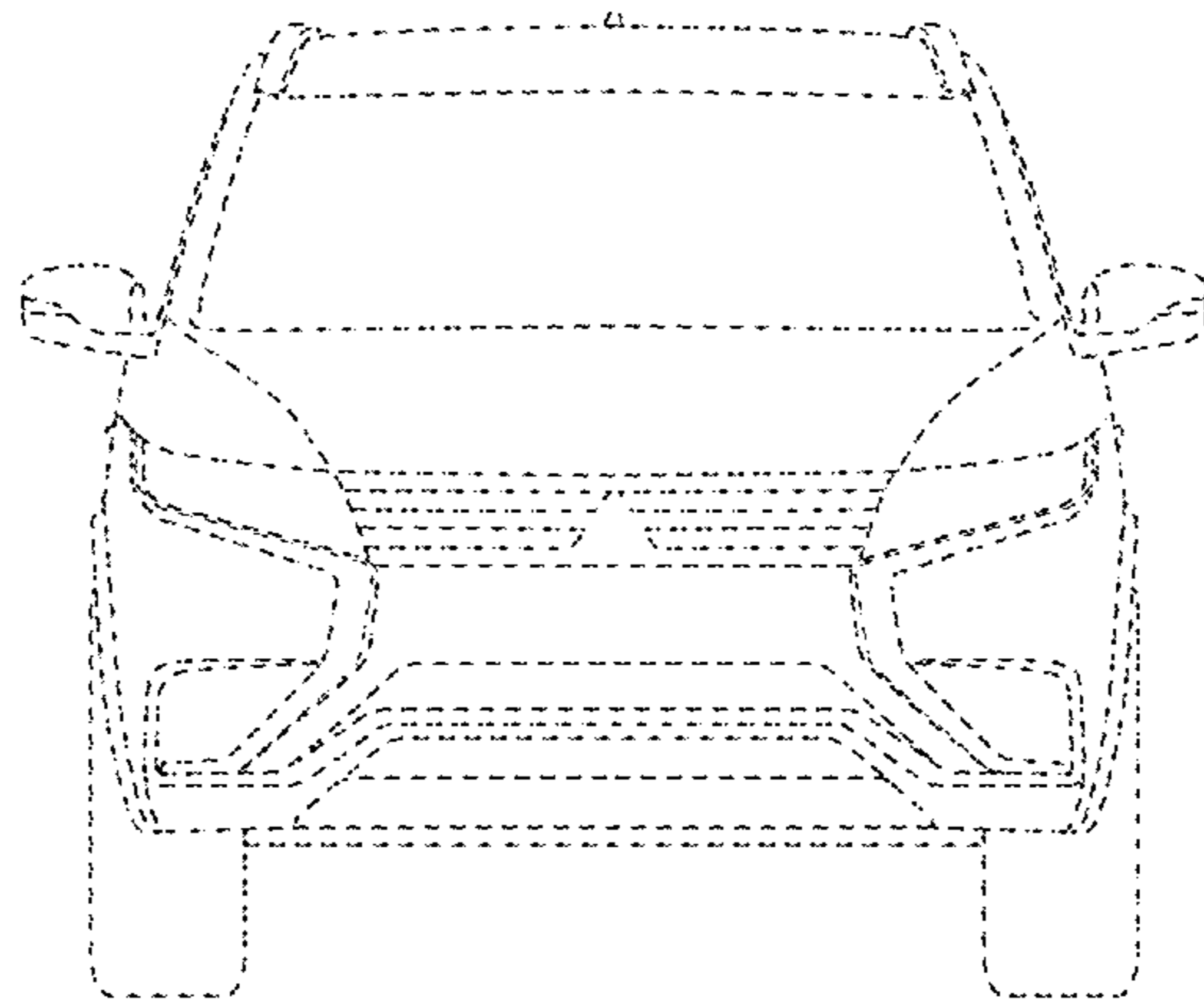


Fig. 6

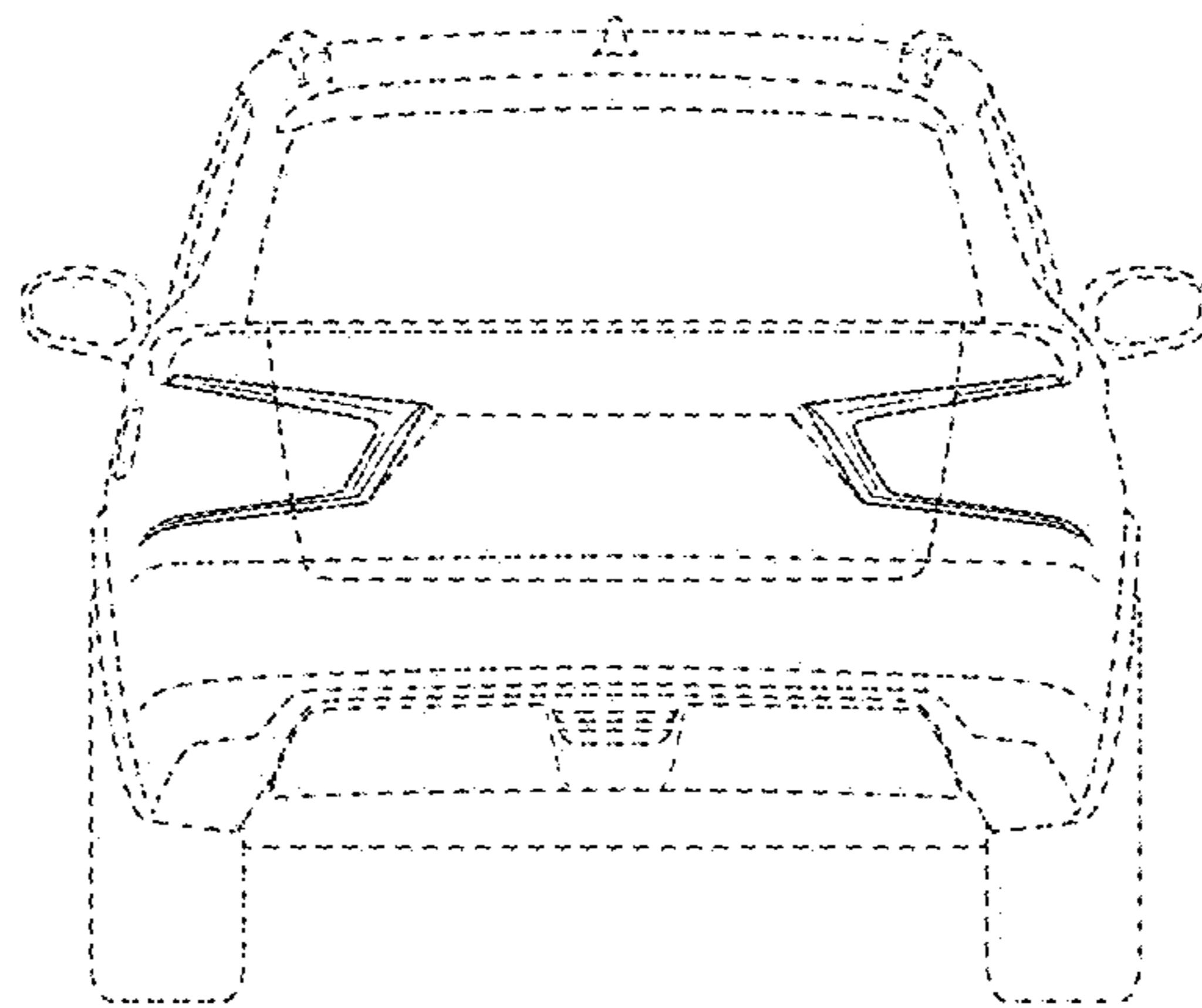


Fig. 7

