



US00D767801S

(12) **United States Design Patent**
Han et al.

(10) **Patent No.:** **US D767,801 S**

(45) **Date of Patent:** **** Sep. 27, 2016**

(54) **HEAD LAMP FOR AUTOMOBILE**

(71) Applicant: **Kia Motors Corporation**, Seoul (KR)

(72) Inventors: **Jae Do Han**, Gyeonggi-Do (KR); **Seo Hee Ahn**, Gyeonggi-Do (KR)

(73) Assignee: **Kia Motors Corporation**, Seoul (KR)

(**) Term: **14 Years**

(21) Appl. No.: **29/474,300**

(22) Filed: **Aug. 5, 2014**

(30) **Foreign Application Priority Data**

Mar. 25, 2014 (KR) 30-2014-0014753

(51) **LOC (10) Cl.** **26-06**

(52) **U.S. Cl.**
USPC **D26/28**

(58) **Field of Classification Search**
USPC D26/28-36; 362/459-468, 475-478,
362/485, 486, 487
CPC B60Q 1/02; B60Q 1/04
See application file for complete search history.

(56) **References Cited**

U.S. PATENT DOCUMENTS

D674,940 S *	1/2013	Lai	D26/28
D678,567 S *	3/2013	Lai	D26/28
D689,222 S *	9/2013	Lai	D26/28
D707,865 S *	6/2014	Yoshida	D26/28
D718,893 S *	12/2014	Lai	D26/28
D720,870 S *	1/2015	Lim	D26/28

D721,196 S *	1/2015	Lai	D26/28
D728,133 S *	4/2015	Bieling	D26/28
D739,578 S *	9/2015	Han	D26/28
D744,129 S *	11/2015	Futschik	D26/28
D745,726 S *	12/2015	McMahan	D26/28
D747,512 S *	1/2016	Lai	D26/28
D747,515 S *	1/2016	McMahan	D26/28
D752,254 S *	3/2016	Futschik	D26/28
D752,255 S *	3/2016	Futschik	D26/28

* cited by examiner

Primary Examiner — Lakiya Rogers

Assistant Examiner — Harold Blackwell, II

(74) *Attorney, Agent, or Firm* — Mintz Levin Cohn Ferris Glovsky and Popeo, P.C.; Kongsik Kim

(57) **CLAIM**

The ornamental design for a head lamp for automobile, as shown and described.

DESCRIPTION

FIG. 1 is a perspective view of a head lamp for automobile according to the present invention.

FIG. 2 is a front view of the head lamp for automobile of FIG. 1.

FIG. 3 is a rear view of the head lamp for automobile of FIG. 1.

FIG. 4 is a left side view of the head lamp for automobile of FIG. 1.

FIG. 5 is a right side view of the head lamp for automobile of FIG. 1.

FIG. 6 is a top view of the head lamp for automobile of FIG. 1; and,

FIG. 7 is a bottom view of the head lamp for automobile of FIG. 1.

1 Claim, 7 Drawing Sheets

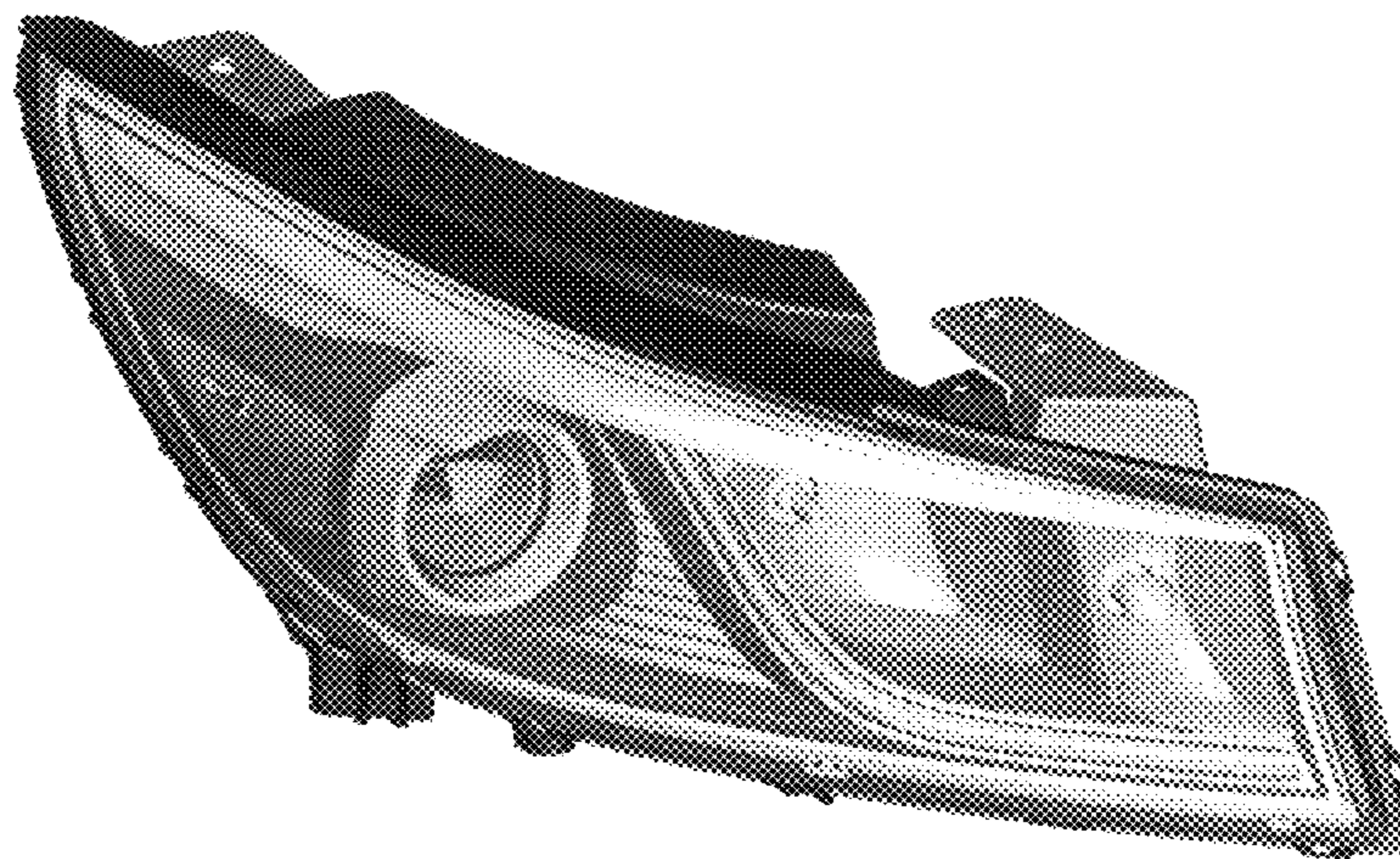


FIG. 1

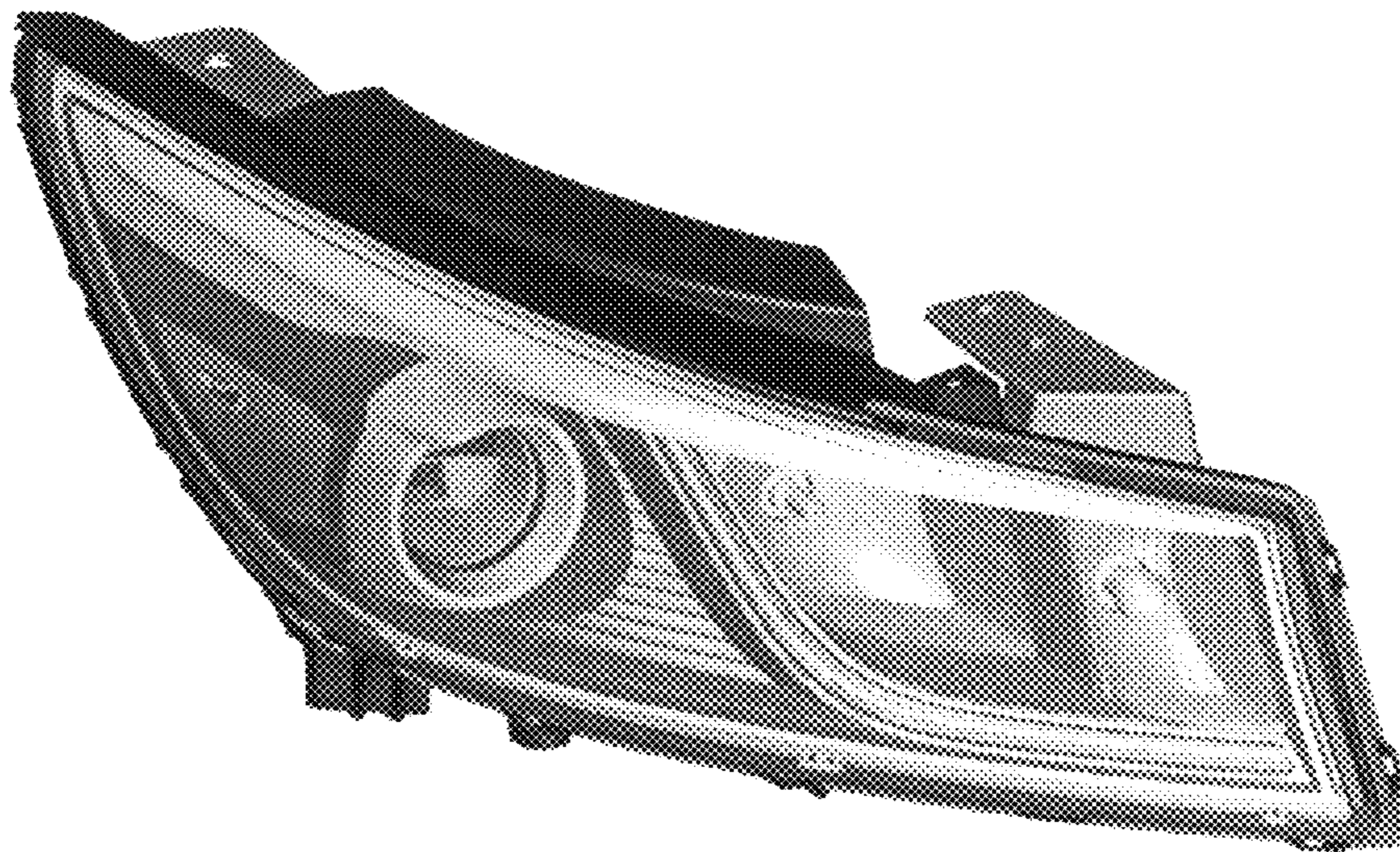


FIG. 2

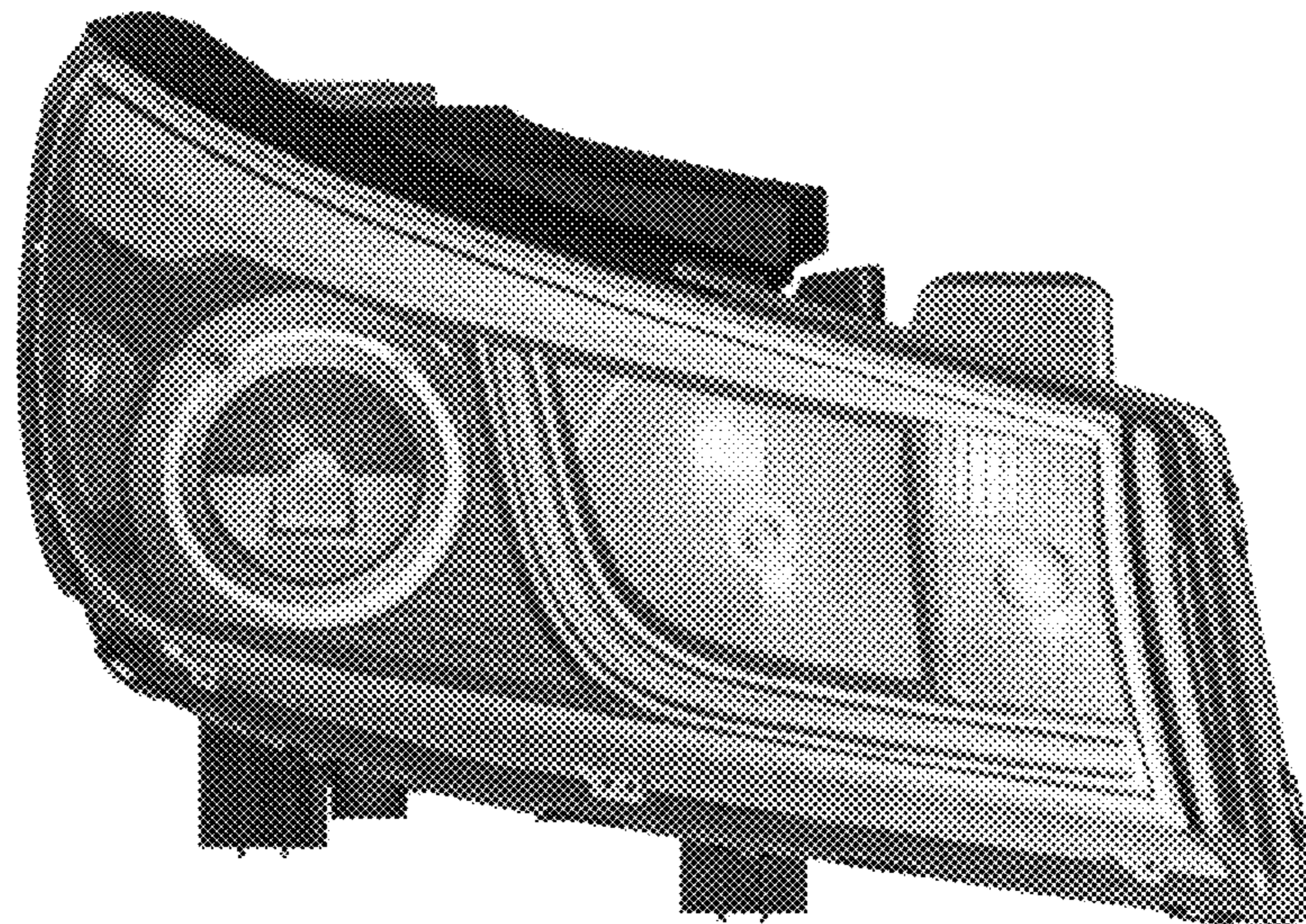


FIG. 3

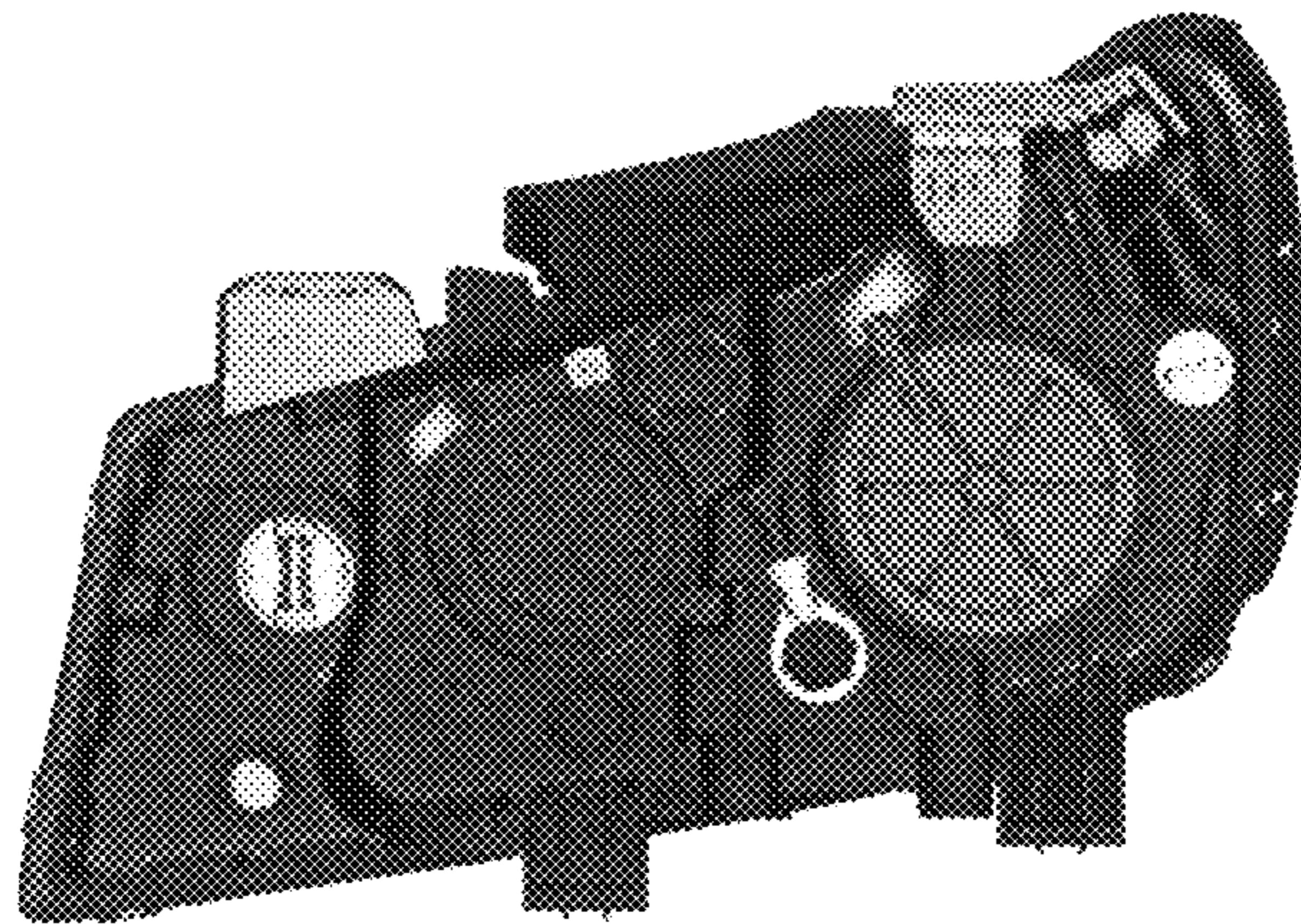


FIG. 4

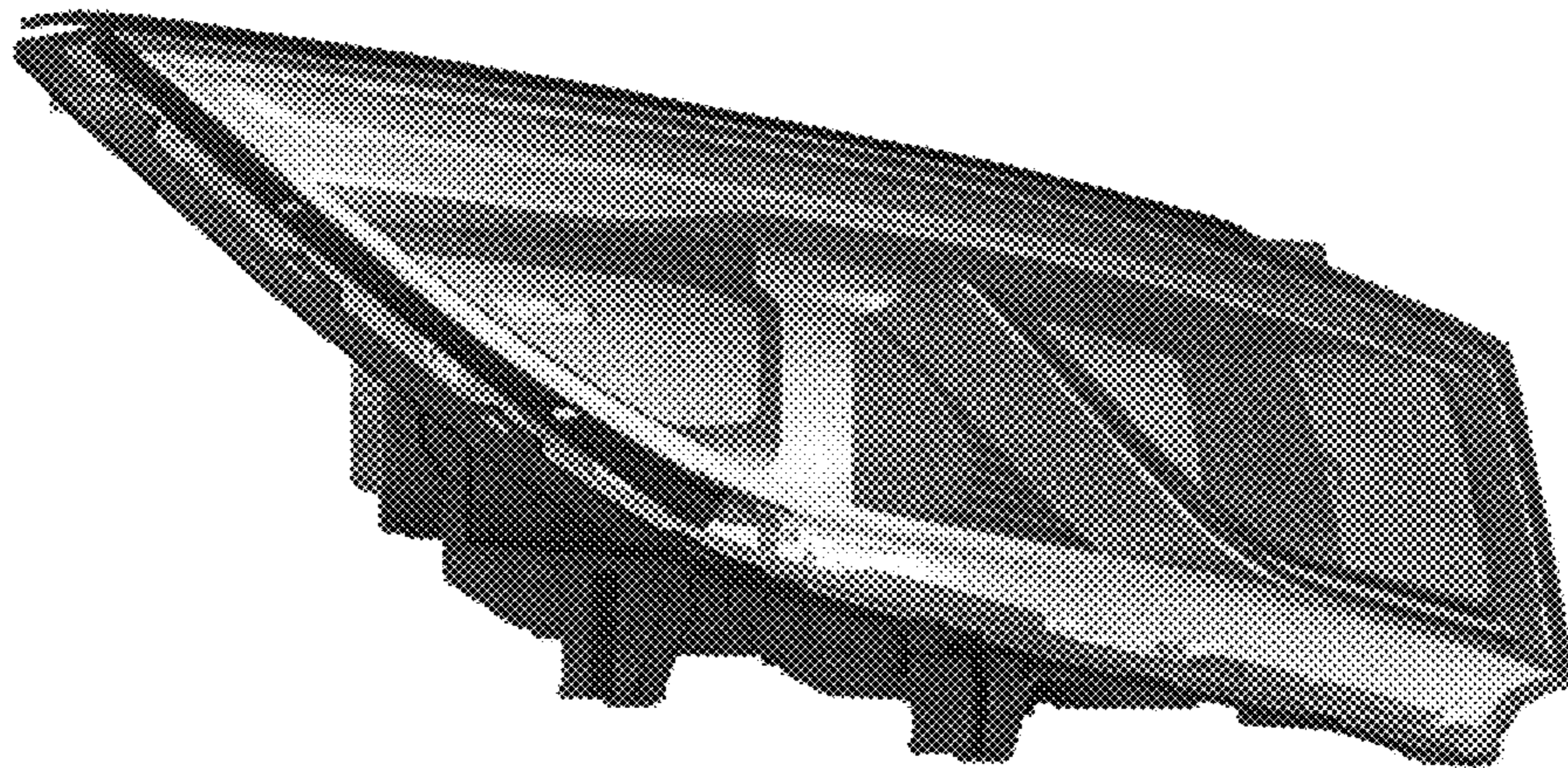


FIG. 5

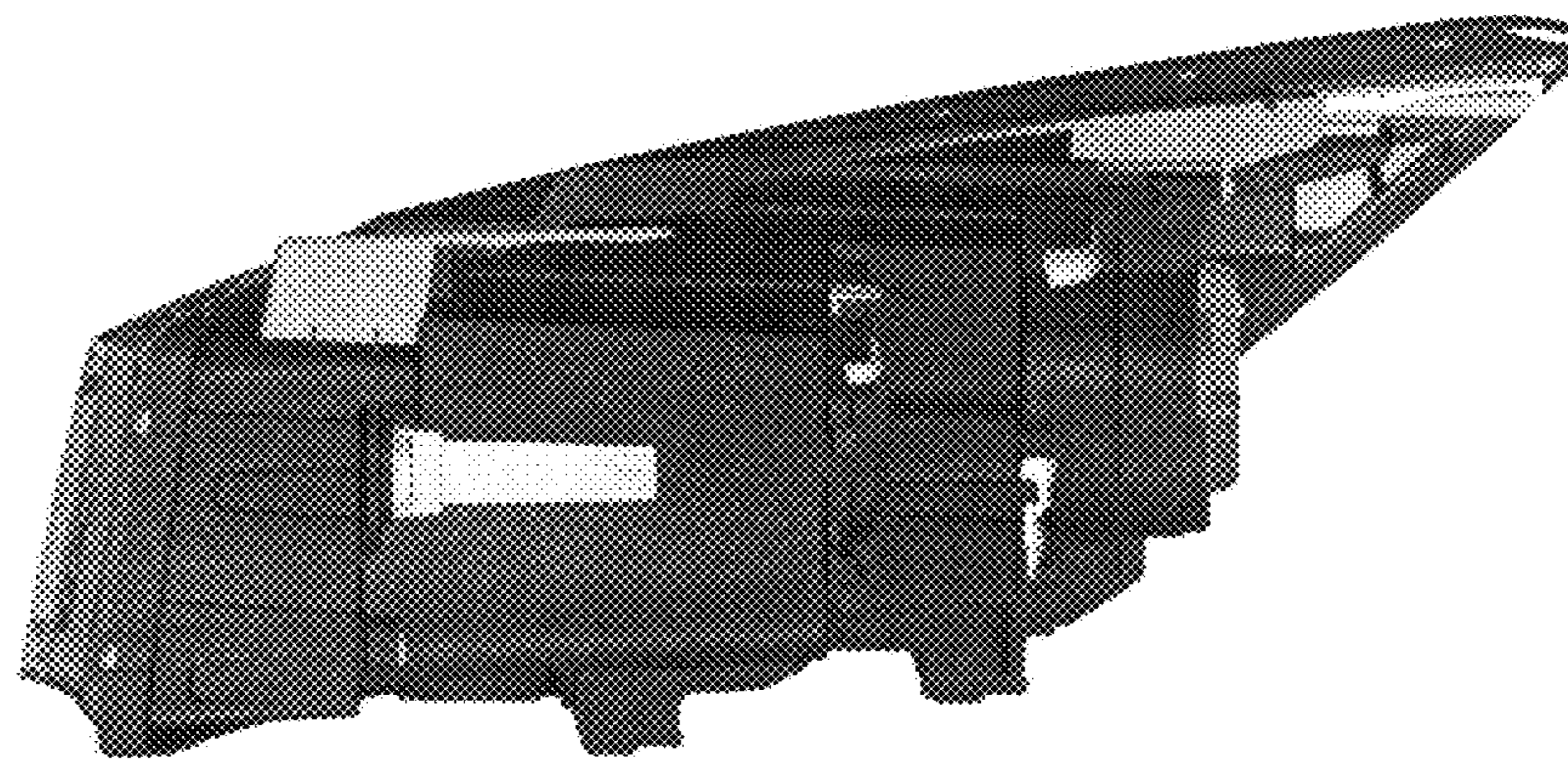


FIG. 6

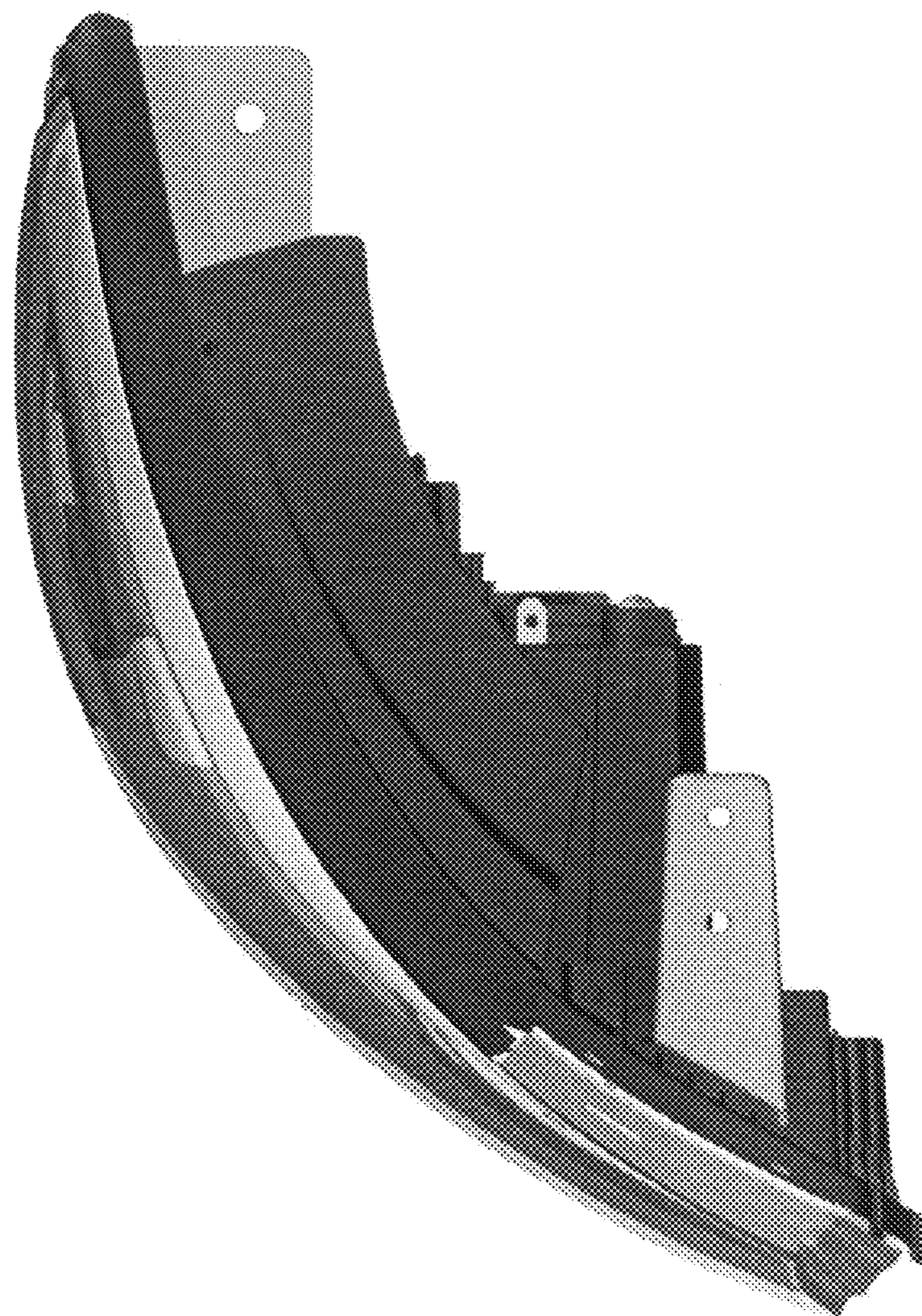


FIG. 7

