



US00D767800S

(12) **United States Design Patent** (10) **Patent No.:** **US D767,800 S**
Moyal (45) **Date of Patent:** **** Sep. 27, 2016**

(54) GEL CANDLE	D424,219 S * 5/2000 Toscano D26/7
	D426,004 S * 5/2000 Toscano D26/7
(71) Applicant: Kimberly L. Moyal , Northbrook, IL (US)	6,214,063 B1 * 4/2001 DeStefano C10L 5/40 44/275
	6,241,512 B1 * 6/2001 Freeman C11C 5/002 431/291
(72) Inventor: Kimberly L. Moyal , Northbrook, IL (US)	D461,916 S * 8/2002 Araujo D26/6
	D465,037 S * 10/2002 McCoy D26/11
	6,652,606 B1 * 11/2003 Zimmerman C11C 5/008 424/126
(**) Term: 15 Years	D699,872 S * 2/2014 Karpowicz D26/22
	D750,814 S * 3/2016 Moyal D26/22
(21) Appl. No.: 29/551,634	2002/0150854 A1 * 10/2002 Riches A61L 9/03 431/291
(22) Filed: Jan. 15, 2016	2003/0049578 A1 * 3/2003 Freeman C11C 5/008 431/291

Related U.S. Application Data

(63) Continuation-in-part of application No. 29/460,523, filed on Jul. 11, 2013, now Pat. No. Des. 750,814.

(51) **LOC (10) Cl.** **15-01**

(52) **U.S. Cl.**
USPC **D26/6; D26/22**

(58) **Field of Classification Search**
USPC D26/6-23; 431/299, 125, 126, 292, 431/289; D11/131, 131.1, 157; 44/268
CPC F21V 35/00; F21V 35/003; F21V 21/06; F21V 15/01; F21V 1/00; F21V 21/0824; F21V 19/02; F21V 21/00; F21V 21/005; F21V 21/02; F21V 21/08; F21V 21/0808; F21V 21/0832; F21V 21/088; F21V 21/116
See application file for complete search history.

(56) **References Cited**

U.S. PATENT DOCUMENTS

4,931,014 A * 6/1990 Scott F21S 10/00
362/161

D411,891 S 7/1999 Bell et al.

D423,693 S * 4/2000 Toscano D26/7

D423,694 S * 4/2000 Ruffolo D26/7

* cited by examiner

Primary Examiner — T. Chase Nelson
Assistant Examiner — Ania Aman

(74) *Attorney, Agent, or Firm* — Tracy Jong Law Firm; Tracy P. Jong; Cheng Ning Jong

(57) **CLAIM**

The ornamental design for gel candle, as shown and described.

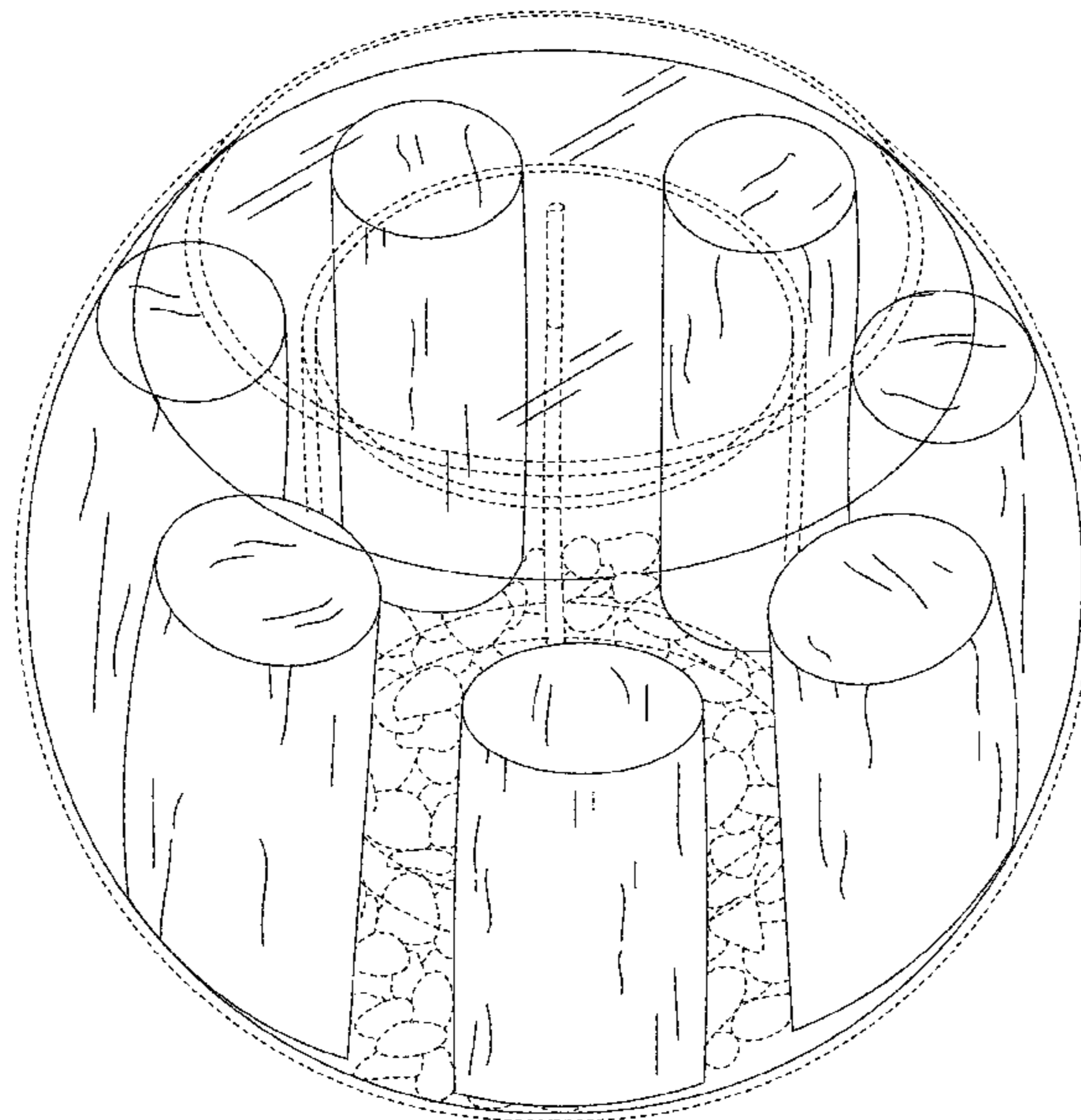
DESCRIPTION

FIG. 1 is a top perspective view gel candle showing my new design, wherein wine corks are disposed in an upright fashion within a votive vessel.

FIG. 2 is a side perspective view thereof; and, FIG. 3 is a top orthogonal view thereof.

The single dashed lines represent outer portions of a gel candle, an inner vessel and a wick and form no part of the claim. The characteristic feature of the design resides with the gel candle having materials embedded therein.

1 Claim, 3 Drawing Sheets



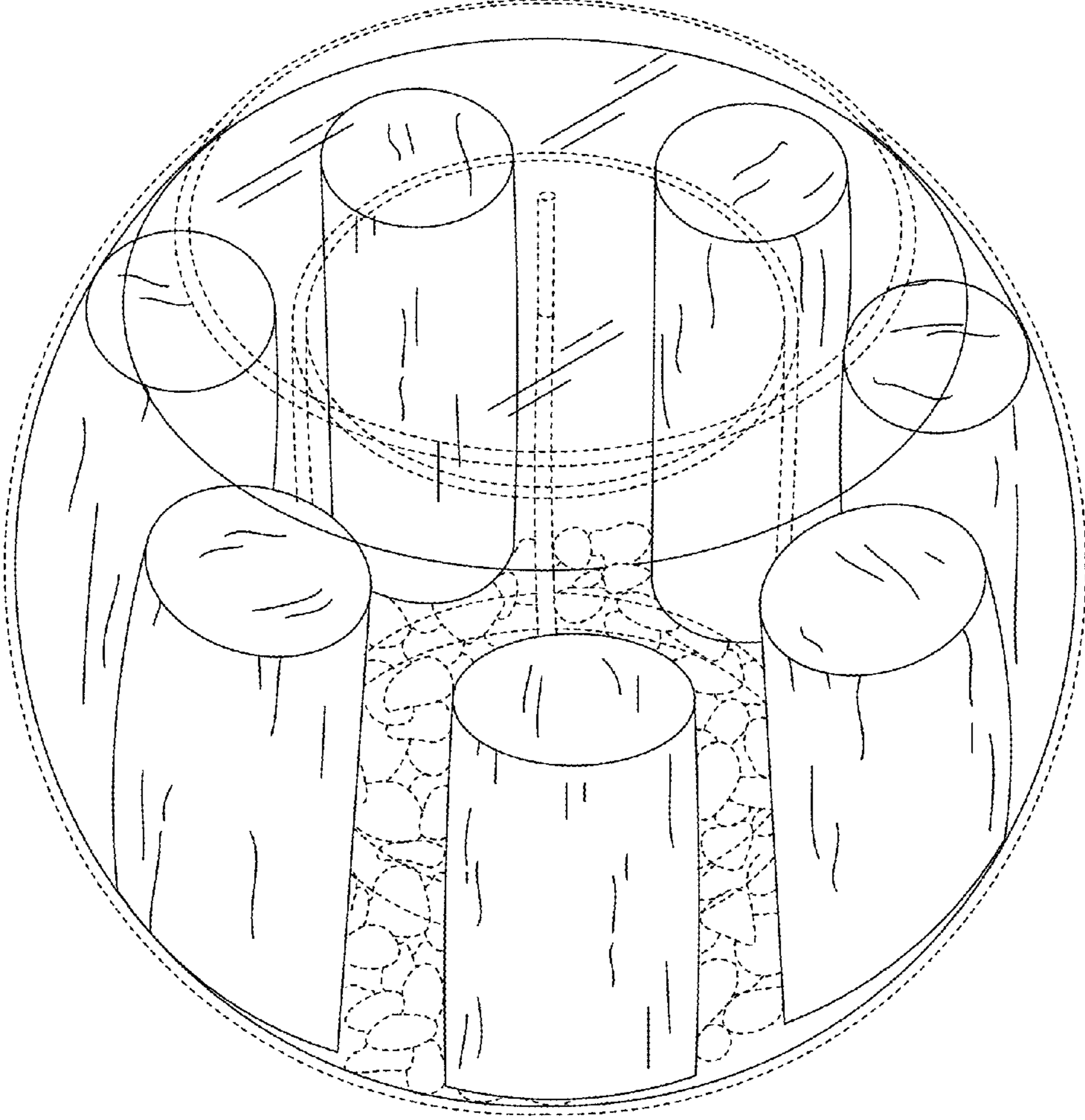


FIG. 1

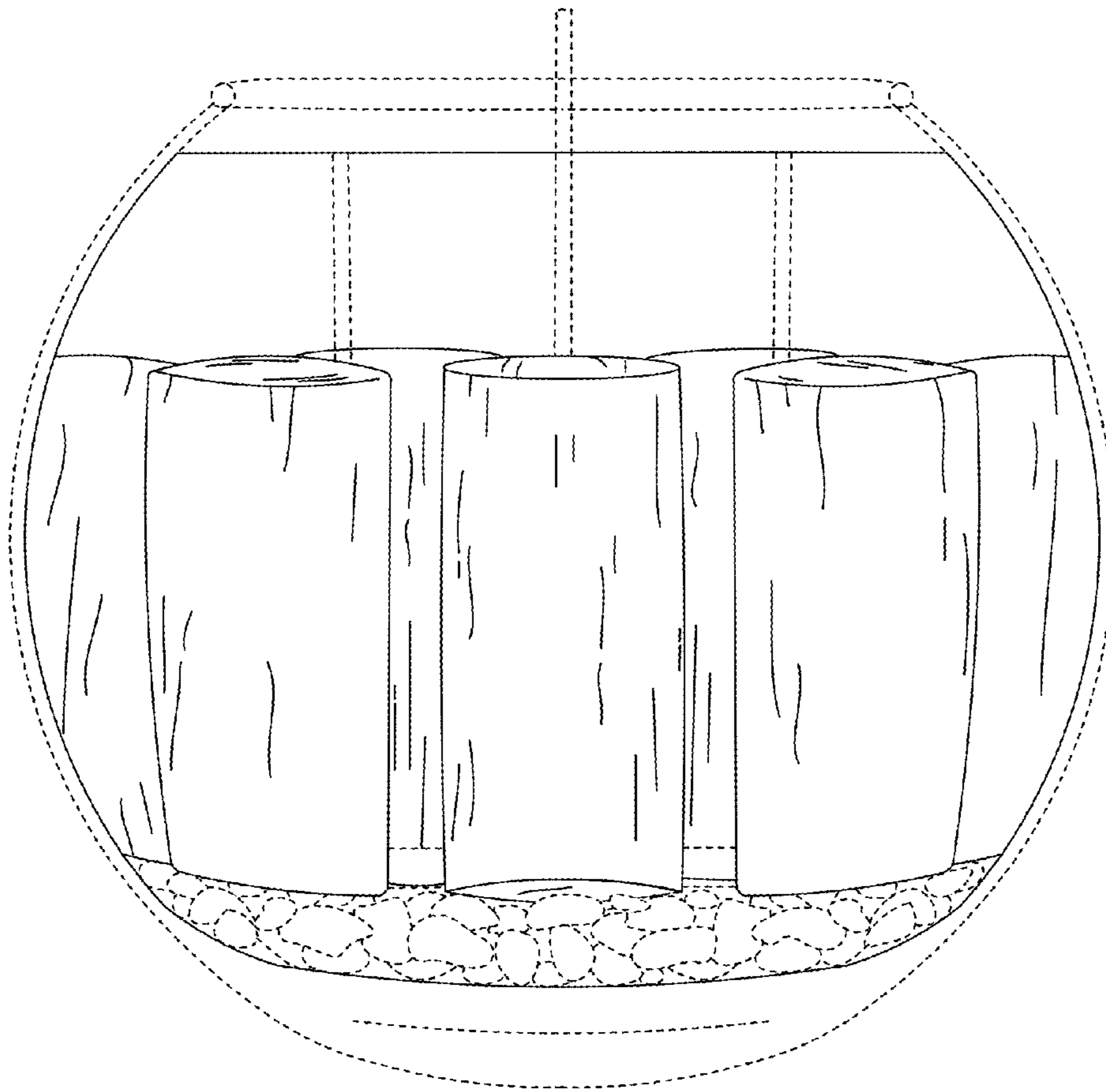


FIG. 2

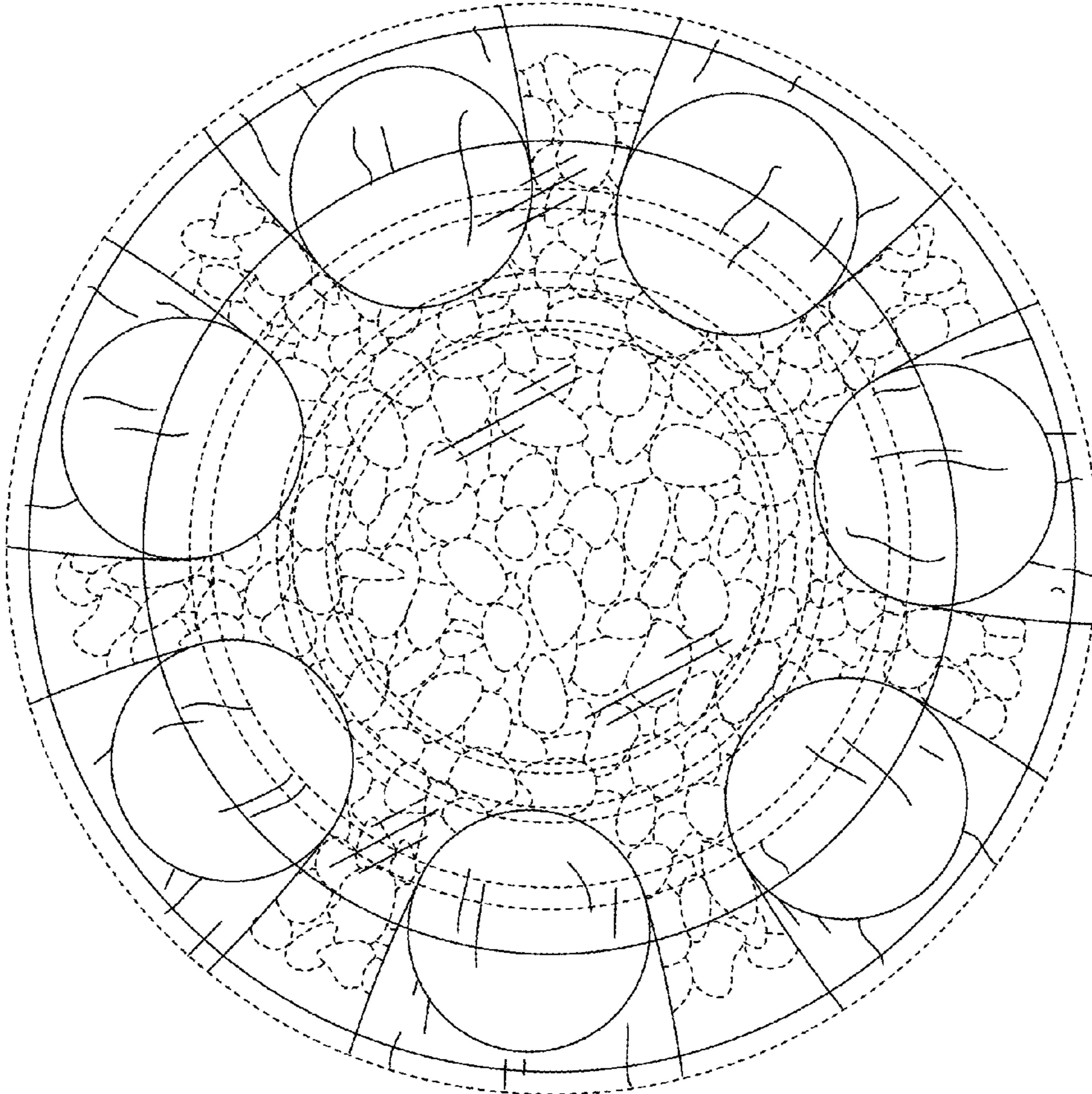


FIG. 3