



US00D767798S

(12) **United States Design Patent**  
**Ding et al.**

(10) **Patent No.:** **US D767,798 S**

(45) **Date of Patent:** **\*\* Sep. 27, 2016**

(54) **LED LAMP**

(56) **References Cited**

(71) Applicant: **SENGLED OPTOELECTRONICS CO., LTD**, Tongxiang (CN)

U.S. PATENT DOCUMENTS

(72) Inventors: **Gang Ding**, Tongxiang (CN); **Jinxiang Shen**, Tongxiang (CN)

D508,575 S *	8/2005	Buschmann	.....	D26/2
D528,227 S *	9/2006	Chou	.....	D26/2
D531,741 S *	11/2006	Takahashi	.....	D26/2
D534,665 S *	1/2007	Egawa	.....	D26/2
D538,953 S *	3/2007	Mama	.....	D26/2
D651,327 S *	12/2011	Hsiao	.....	D26/2

(73) Assignee: **SENGLED OPTOELECTRONICS CO., LTD.**, Tongxiang (CN)

\* cited by examiner

(\*\*) Term: **14 Years**

*Primary Examiner* — Marcus Jackson

(21) Appl. No.: **29/523,286**

(74) *Attorney, Agent, or Firm* — Anova Law Group, PLLC

(22) Filed: **Apr. 8, 2015**

(57) **CLAIM**

The ornamental design for an LED lamp, as shown and described.

(30) **Foreign Application Priority Data**

**DESCRIPTION**

Nov. 25, 2014 (CN) ..... 2014-30470185.3

(51) **LOC (10) Cl.** ..... **26-04**

(52) **U.S. Cl.**  
USPC ..... **D26/2**

(58) **Field of Classification Search**

USPC ..... D26/1-4; 313/313, 315, 316, 317, 318,  
313/493; 315/52, 53, 56, 57, 58  
CPC ..... F21V 5/00; F21K 9/13; F21K 9/135;  
F21K 9/1375; H01J 5/48; H01J 5/50; H01J  
19/54

FIG. 1 is a perspective view of a LED lamp in accordance with the present invention;

FIG. 2 is a front view of the LED lamp shown in FIG. 1;

FIG. 3 is a back view of the LED lamp shown in FIG. 1;

FIG. 4 is a top view of the LED lamp shown in FIG. 1;

FIG. 5 is a bottom view of the LED lamp shown in FIG. 1;

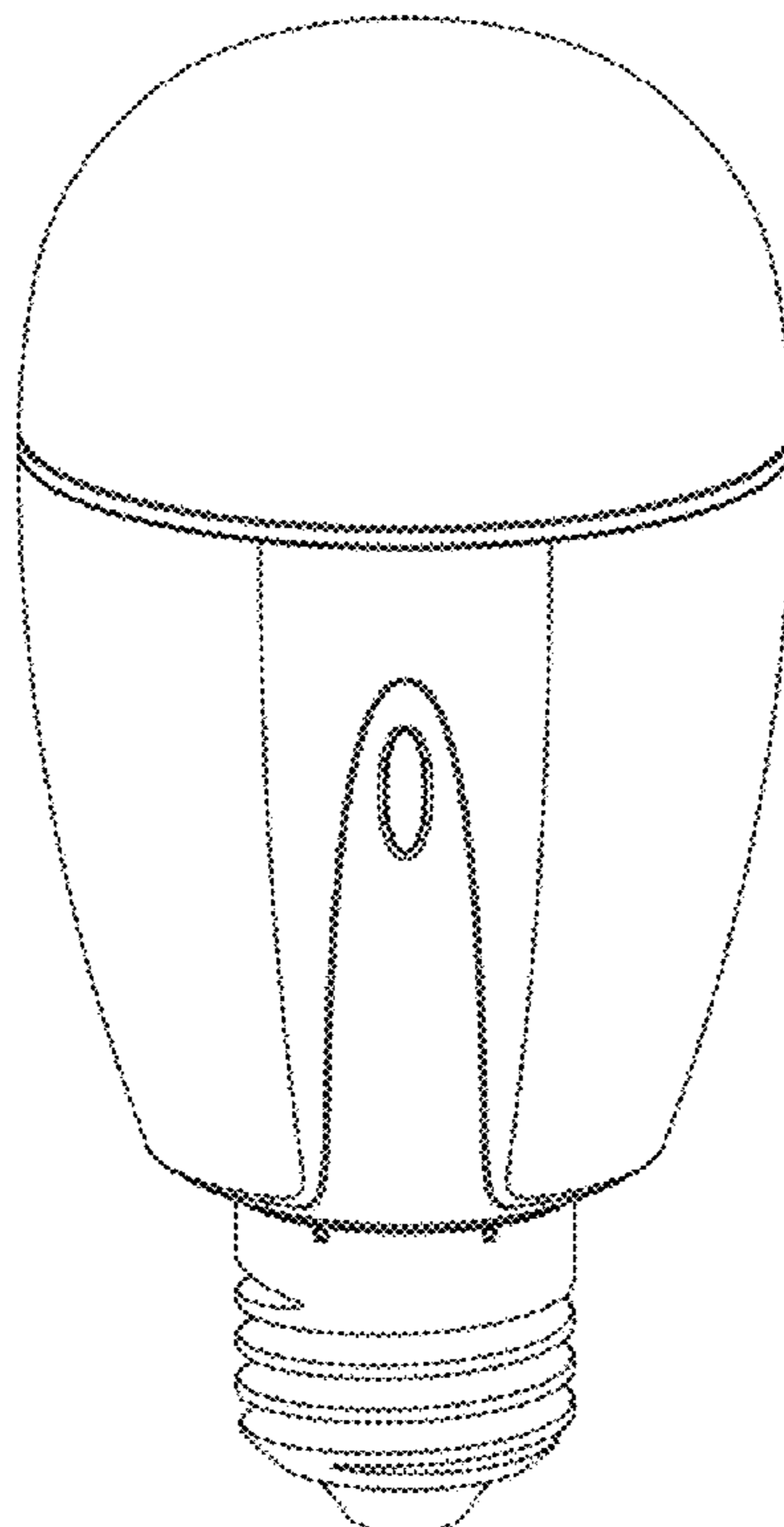
FIG. 6 is a left side view of the LED lamp shown in FIG. 1;

and,

FIG. 7 is a right side view of the LED lamp shown in FIG. 1.

See application file for complete search history.

**1 Claim, 6 Drawing Sheets**



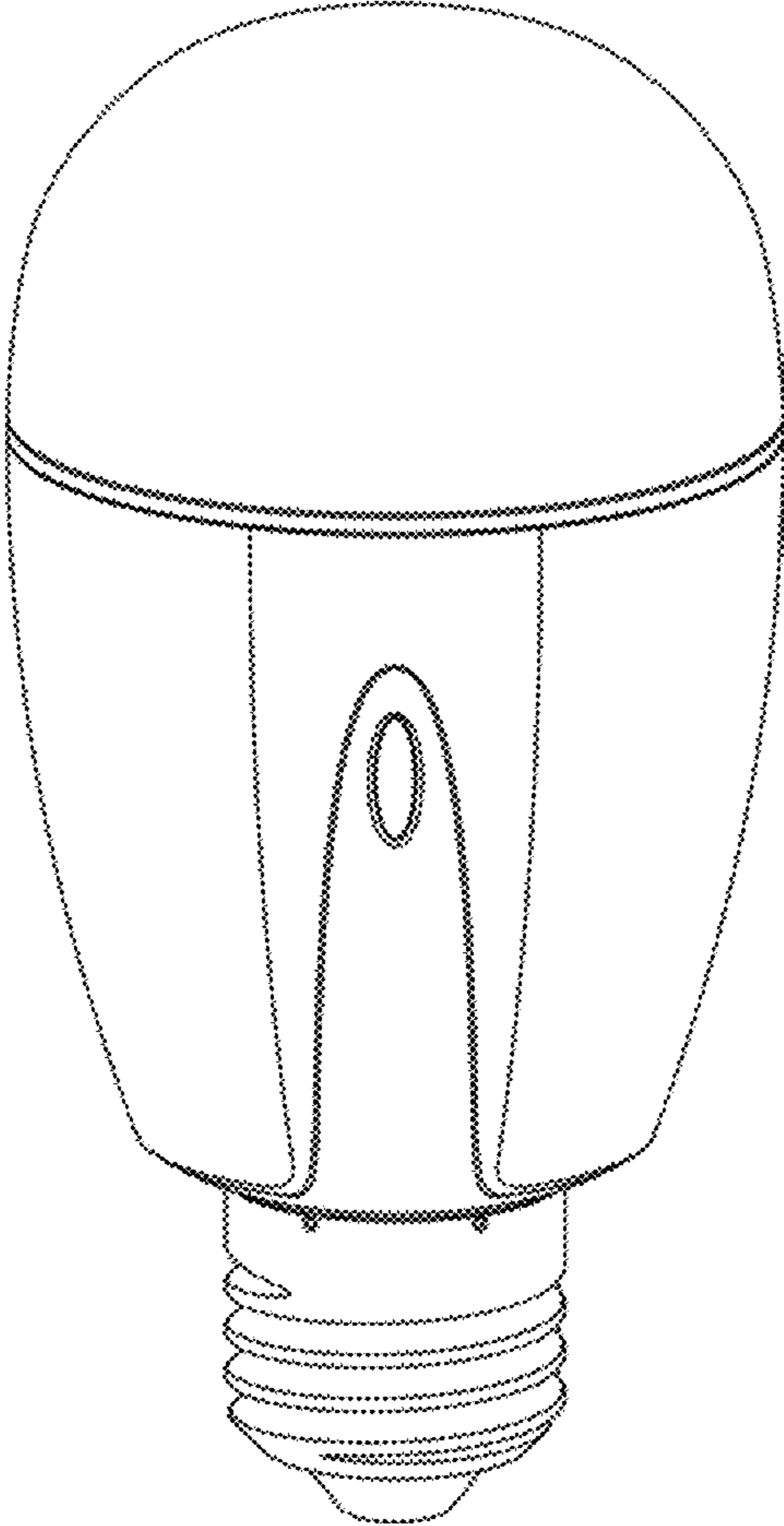


FIG. 1

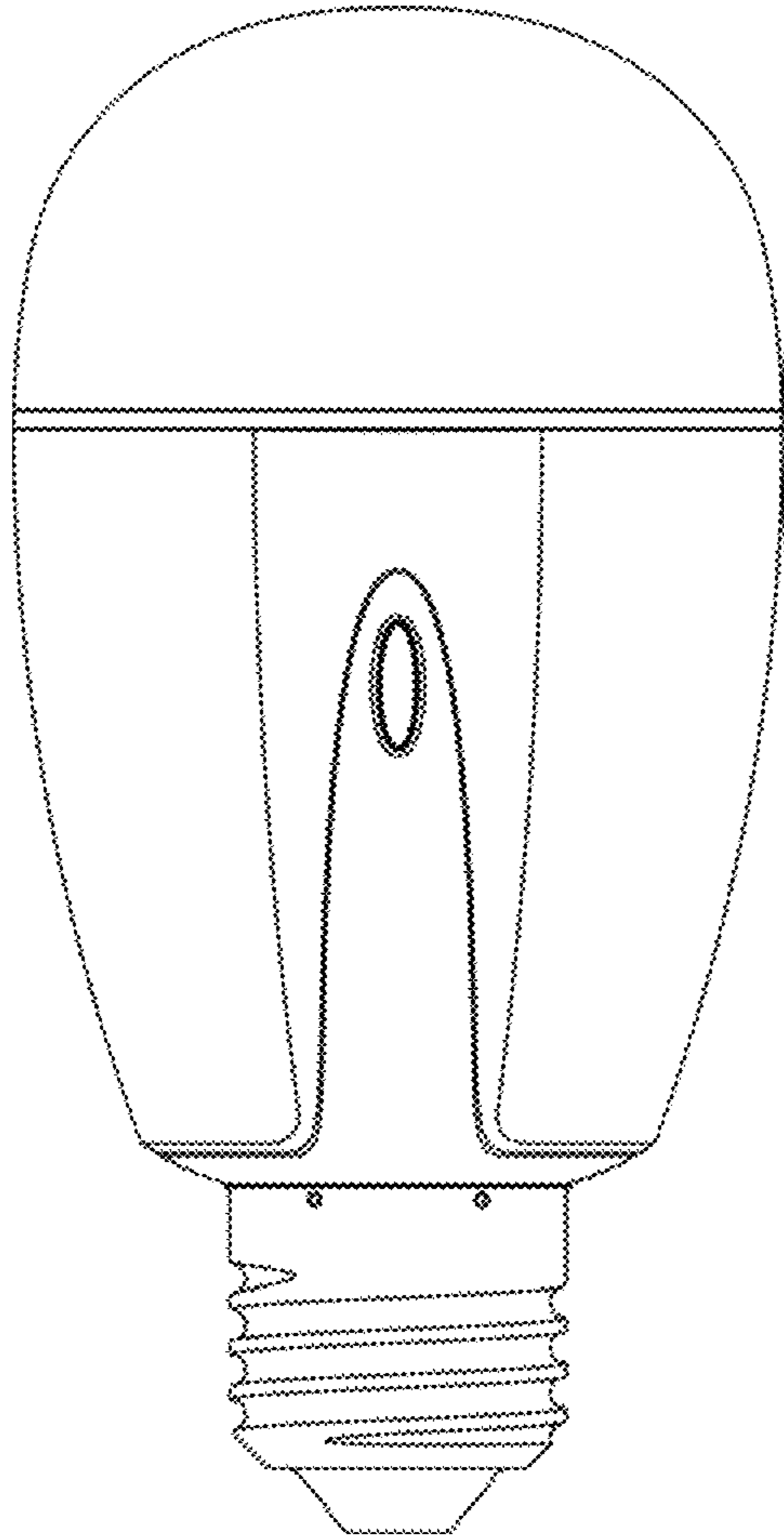


FIG. 2

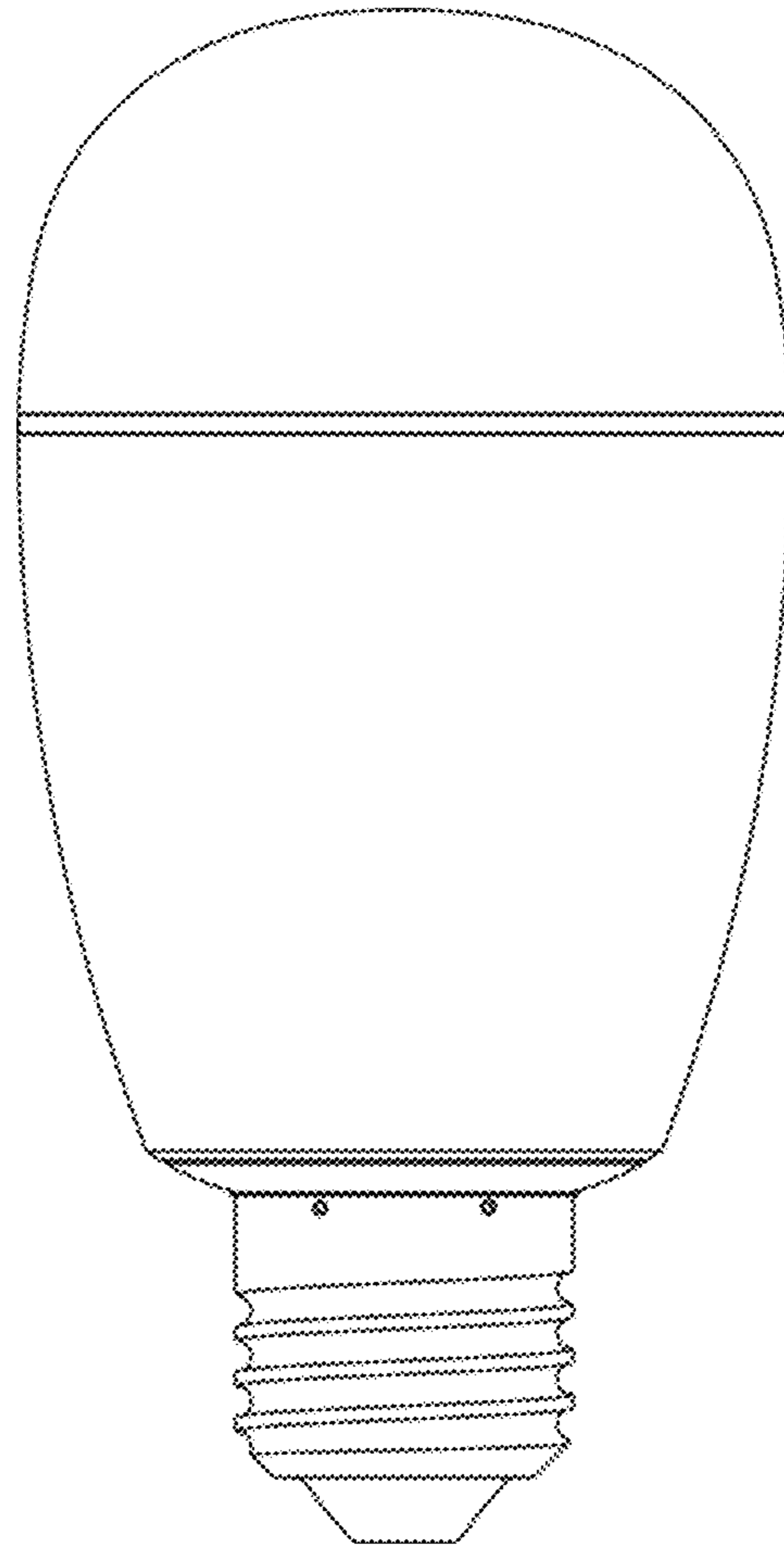


FIG. 3

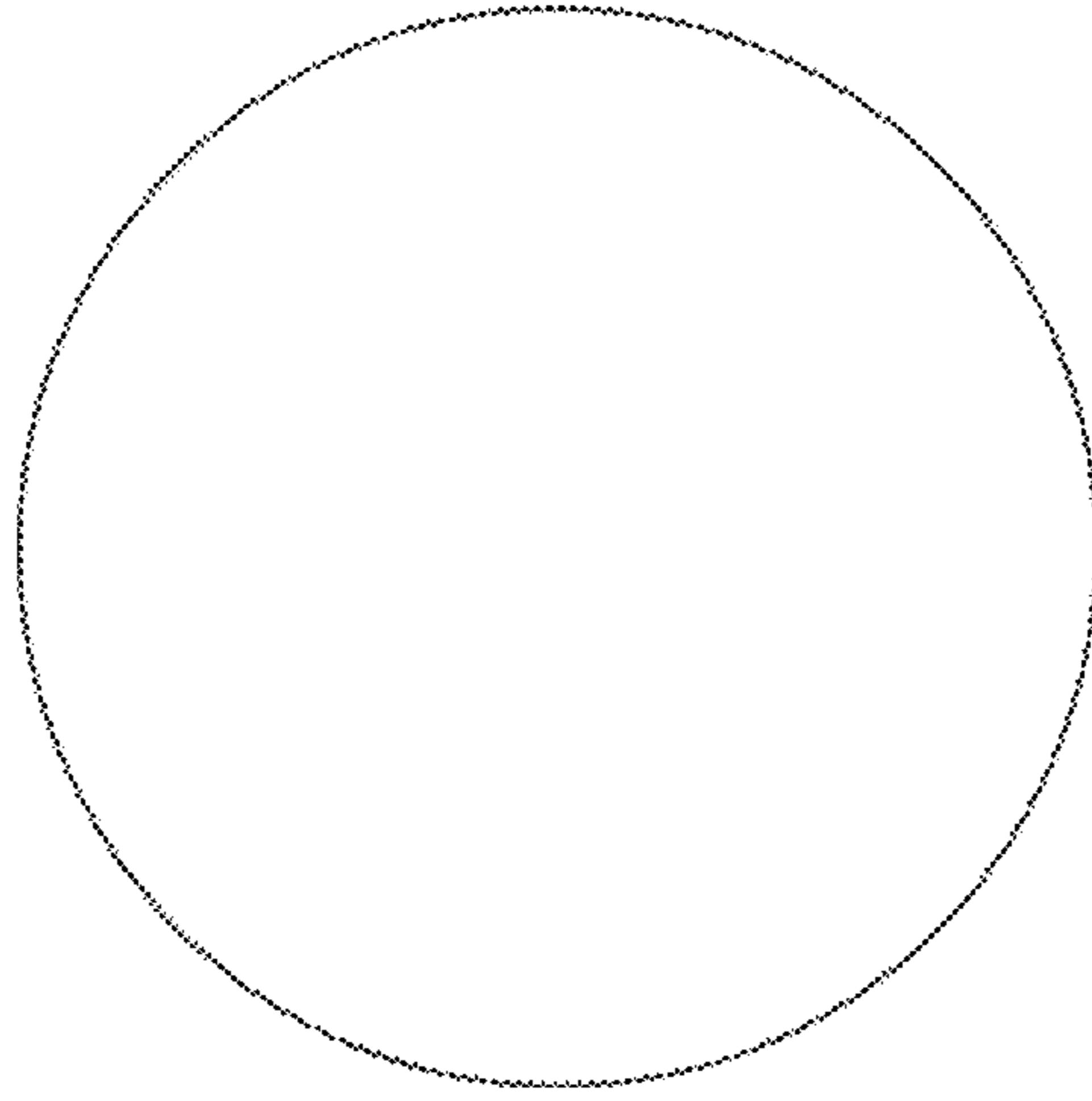


FIG. 4

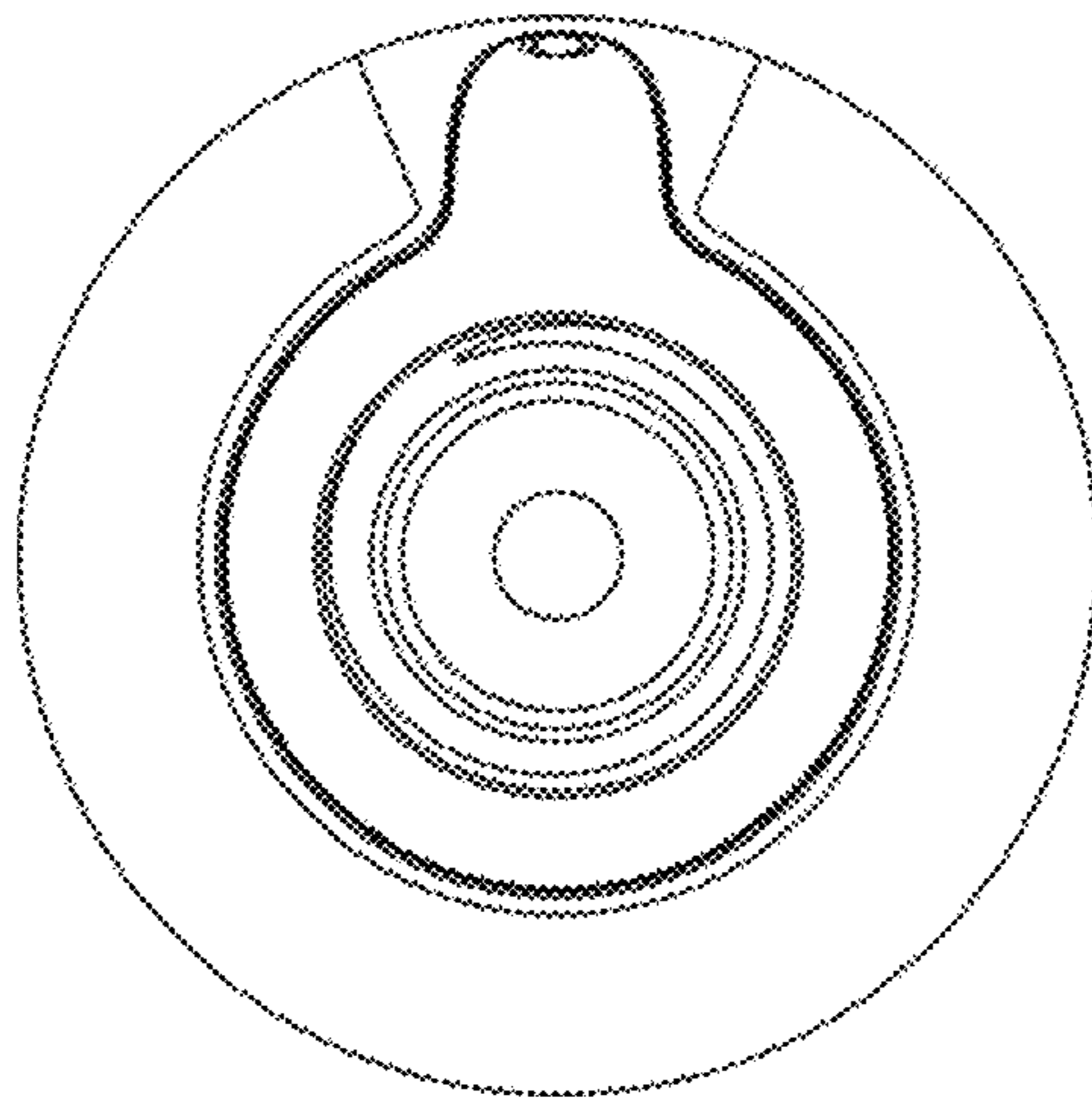


FIG. 5

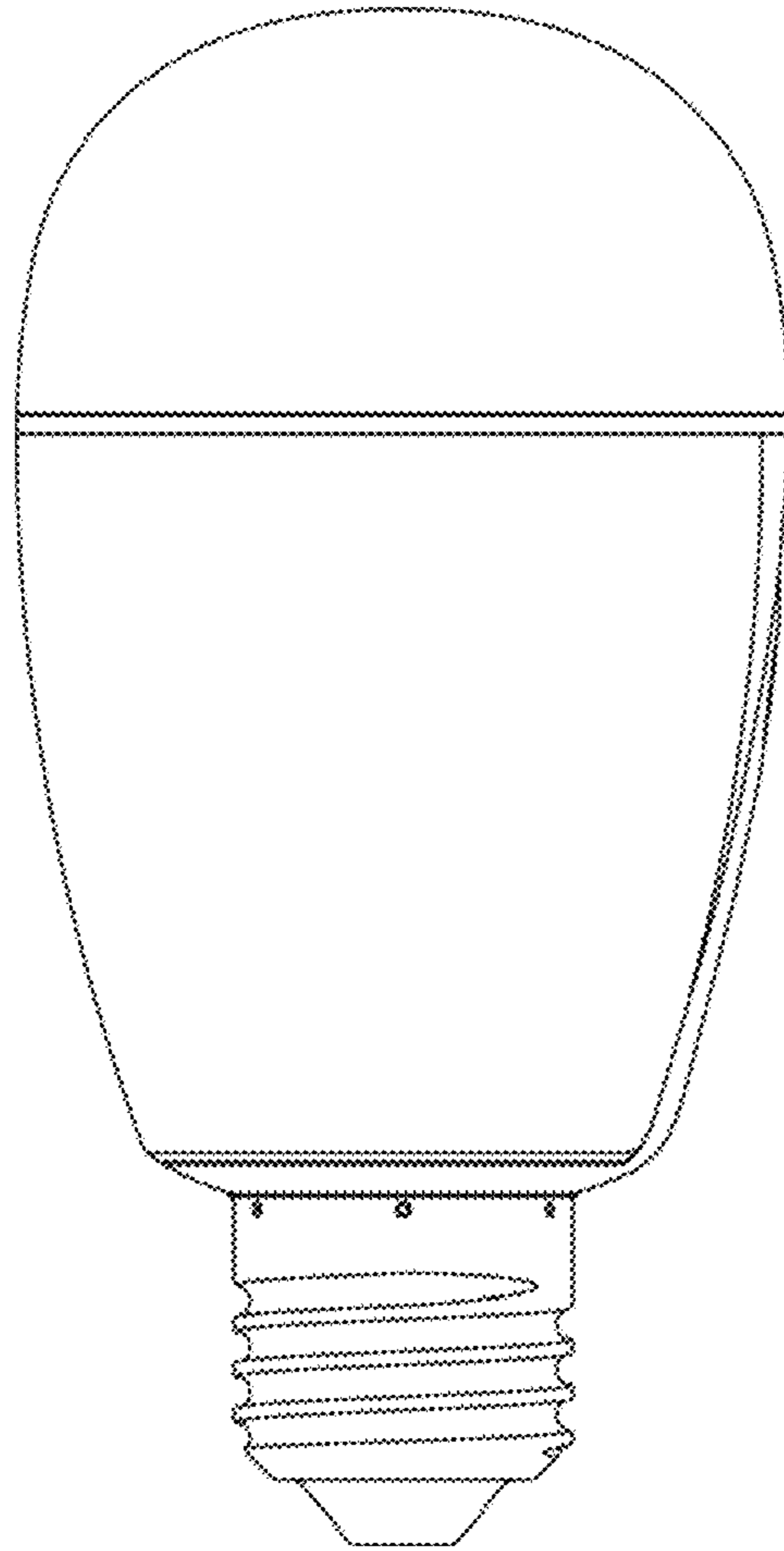


FIG. 6

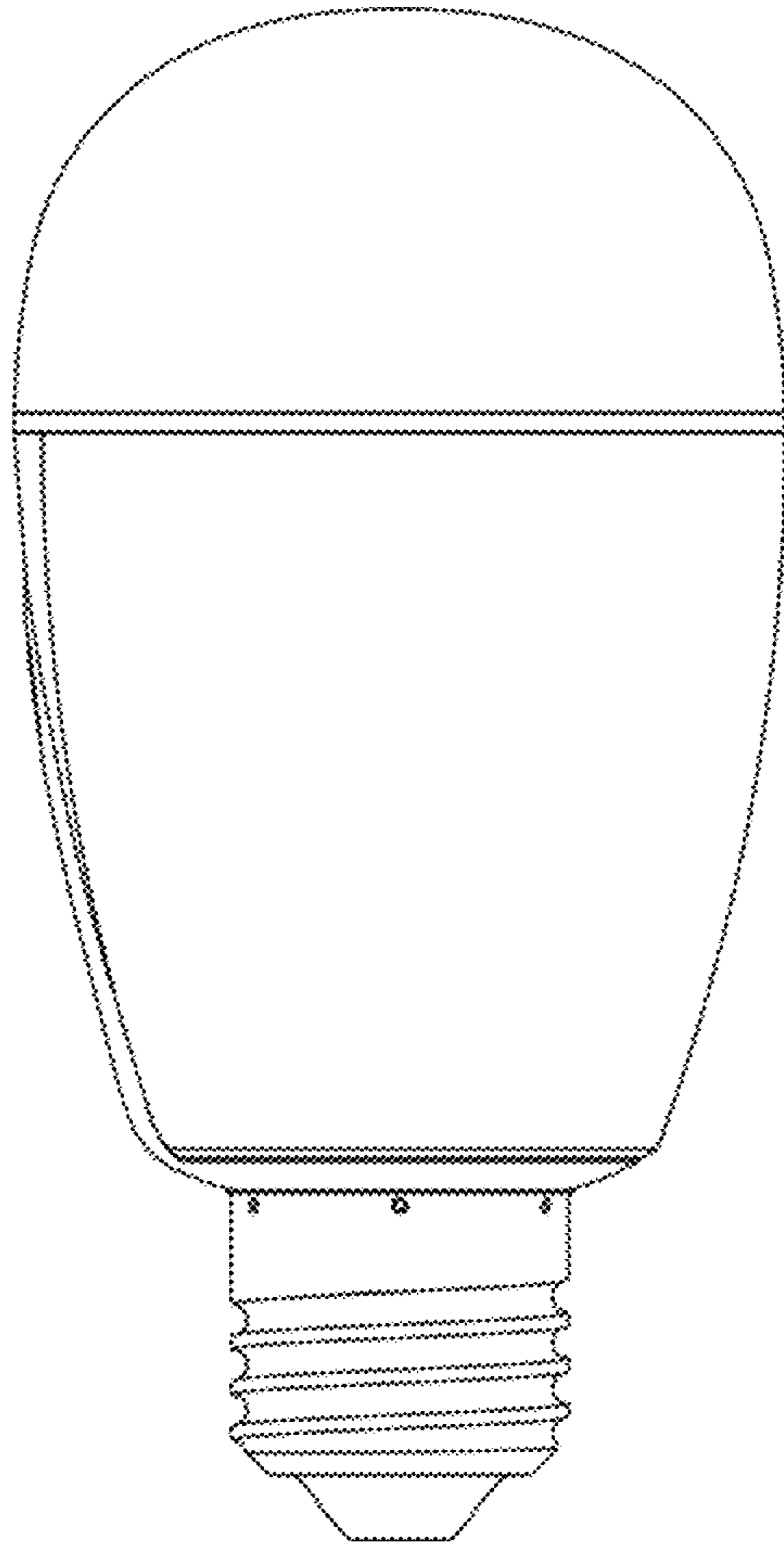


FIG. 7