



US00D767797S

(12) **United States Design Patent** (10) **Patent No.:** **US D767,797 S**
Birol (45) **Date of Patent:** **** Sep. 27, 2016**

(54) **COUNTERTOP AND VANITY TOP**

(71) Applicant: **Ari Aslan Birol**, Hollywood, FL (US)

(72) Inventor: **Ari Aslan Birol**, Hollywood, FL (US)

(**) Term: **14 Years**

(21) Appl. No.: **29/517,613**

(22) Filed: **Feb. 13, 2015**

(51) **LOC (10) Cl.** **25-01**

(52) **U.S. Cl.**
USPC **D25/138**

(58) **Field of Classification Search**
USPC D25/112, 113, 115, 117-119, 126, 138,
D25/158, 58, 60, 136, 142-143, 153, 159,
D25/163; D9/636, 745; D6/707.1, 707,
D6/707.19
CPC E04B 1/00; E04B 2/00; E04B 2/72;
E04B 9/008; E04B 9/00; E04F 13/007;
A47B 77/022; A47B 13/086

See application file for complete search history.

(56) **References Cited**

U.S. PATENT DOCUMENTS

D299,759 S *	2/1989	Sharma	D25/114
D310,953 S *	10/1990	Ilukowicz	428/178
D311,997 S *	11/1990	Legare	D5/53
D313,512 S *	1/1991	Legare	D5/53
D314,672 S *	2/1991	Legare	D5/53
D382,352 S *	8/1997	Berger	D25/157
D382,353 S *	8/1997	Berger	D25/157
D493,897 S *	8/2004	Campacci	D25/158
D533,950 S *	12/2006	Givoni	D25/138
D553,263 S *	10/2007	Kim	D25/155
D569,013 S *	5/2008	Shuman	D25/138
D572,845 S *	7/2008	Park	D25/151
D587,358 S *	2/2009	Stephan	D23/314
D607,585 S *	1/2010	Larson	D25/138
D608,473 S *	1/2010	Larson	D25/138
D678,701 S *	3/2013	Hansen	D6/561
D679,031 S *	3/2013	Amend	D25/138

D687,573 S *	8/2013	Metcalf	D25/104
D687,574 S *	8/2013	Metcalf	D25/104
D696,874 S *	1/2014	Huss	D6/592
D698,190 S *	1/2014	Grimshaw	D6/680
D711,012 S *	8/2014	Jorge	D25/58
D717,475 S *	11/2014	Cufer	D25/155
D727,376 S *	4/2015	Lee	D15/89
D729,949 S *	5/2015	Hartman	D25/119
D739,961 S *	9/2015	Zuo	D25/138
D739,963 S *	9/2015	Zuo	D25/163
D746,486 S *	12/2015	Bilge	D25/125
D746,487 S *	12/2015	Bilge	D25/125
D746,488 S *	12/2015	Luchini	D25/138
2005/0132559 A1 *	6/2005	Kang	A47B 13/086 29/527.3
2015/0061330 A1 *	3/2015	Scotti	A47B 37/04 297/174 R
2015/0296980 A1 *	10/2015	Glab	A47B 96/18 108/42

* cited by examiner

Primary Examiner — Rosemary K Tarcza

Assistant Examiner — James Thorn, Sr.

(74) *Attorney, Agent, or Firm* — Mario Roitman

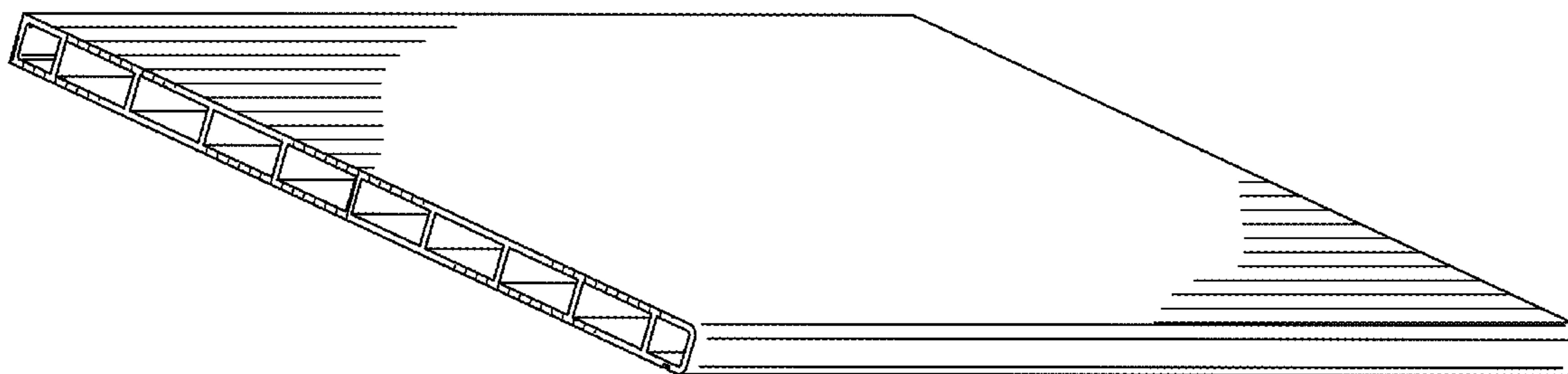
(57) **CLAIM**

The ornamental design for a countertop and vanity top, as shown and described.

DESCRIPTION

FIG. 1 is a front perspective view of a countertop and vanity top;
FIG. 2 is a rear perspective view thereof;
FIG. 3 is a top plan view thereof;
FIG. 4 is a bottom plan view thereof;
FIG. 5 is a front view thereof;
FIG. 6 is a rear view thereof; and,
FIG. 7 is a side view thereof.
The characteristic feature of the design resides in the hollow-spacing core visible on the sides of the countertop and vanity top.

1 Claim, 4 Drawing Sheets



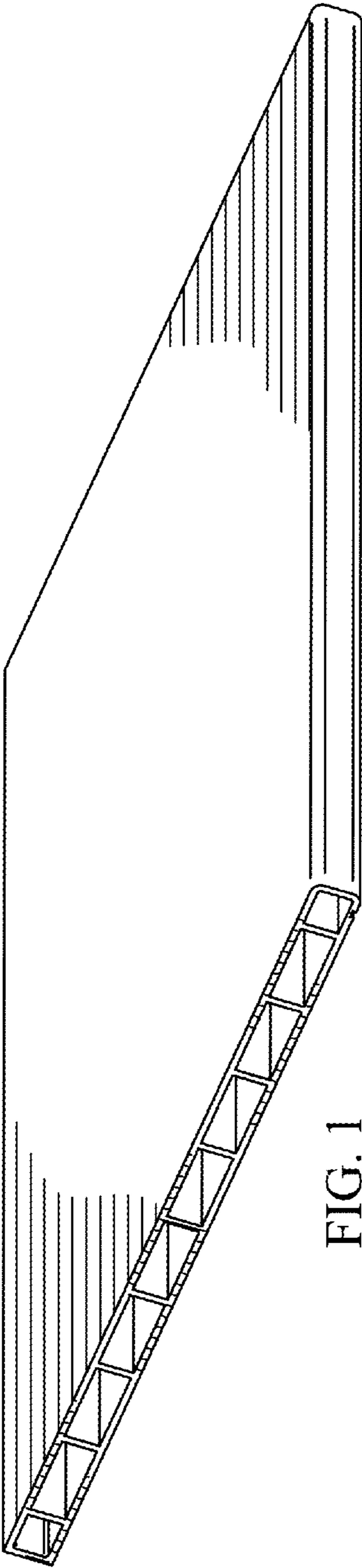


FIG. 1

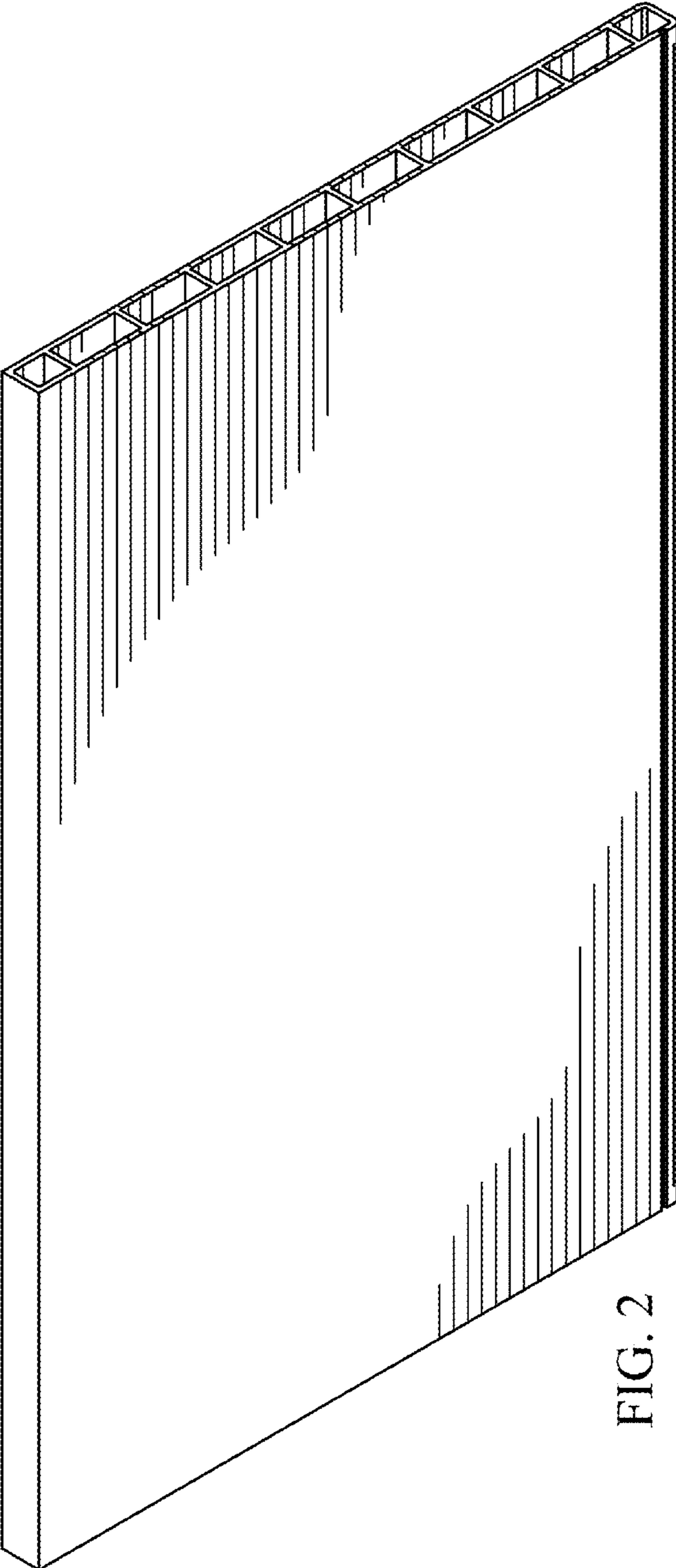


FIG. 2

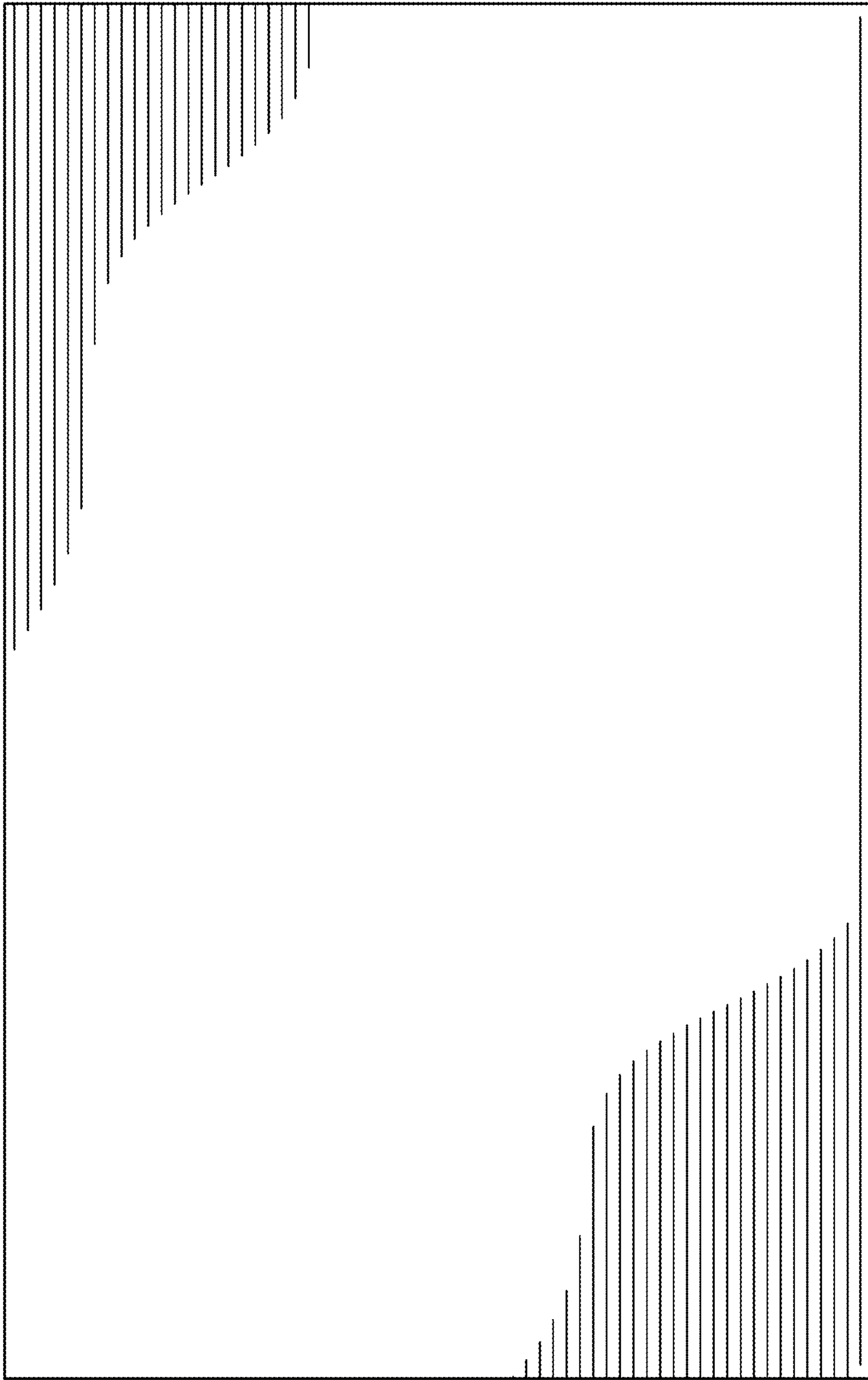


FIG. 3

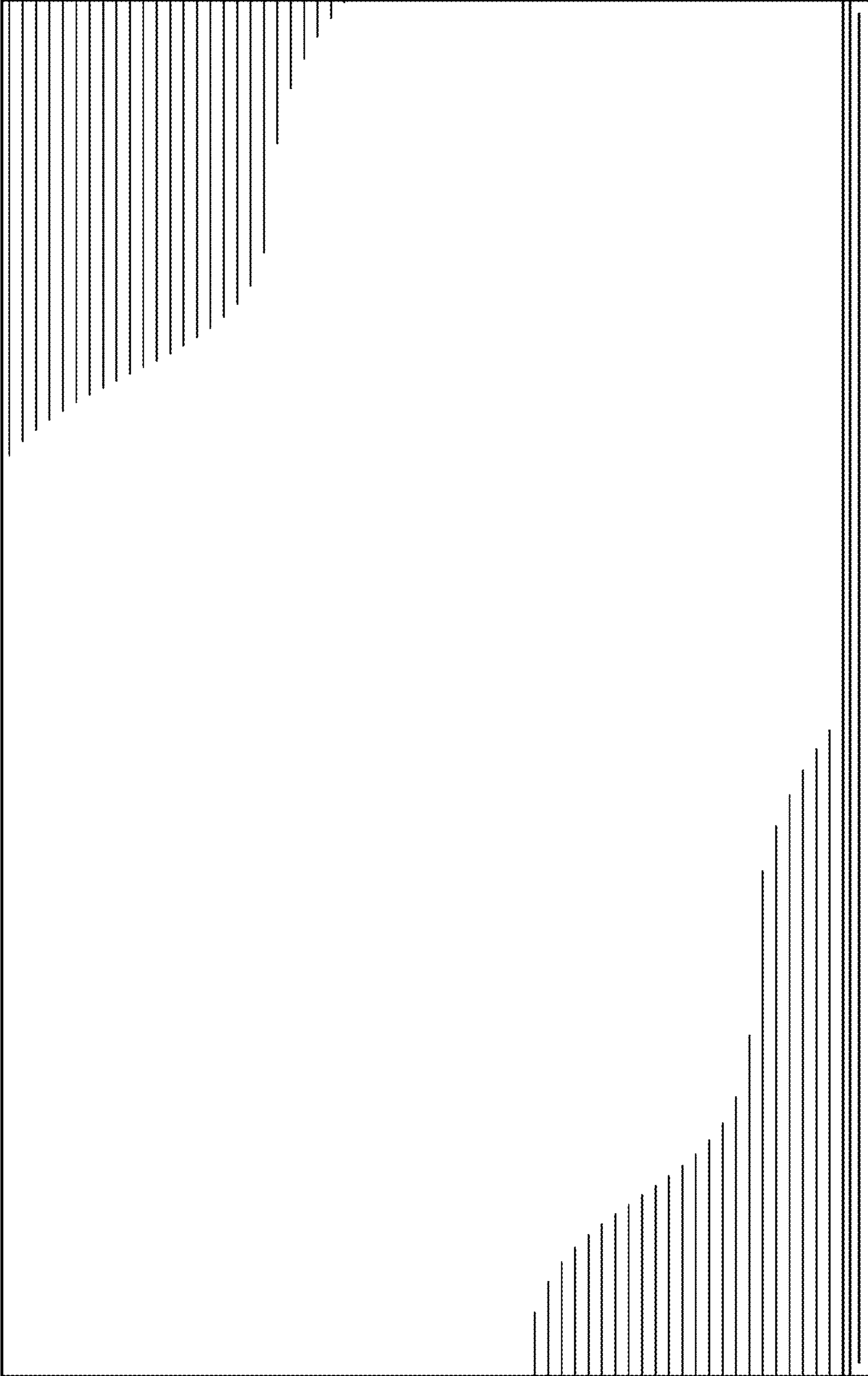


FIG. 4

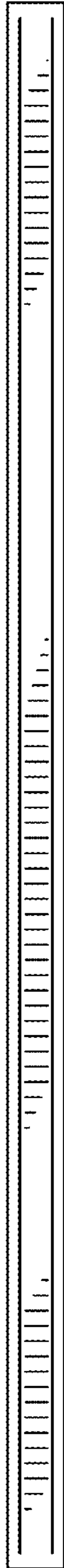


FIG. 5



FIG. 6



FIG. 7