



US00D767796S

(12) **United States Design Patent**
Kinsman

(10) **Patent No.:** **US D767,796 S**
(45) **Date of Patent:** **** Sep. 27, 2016**

(54) **ROOF SUPPORT**

(71) Applicant: **MacLean-Fogg Company**, Mundelein,
IL (US)

(72) Inventor: **Matthew S. Kinsman**, Fort Atkinson,
WI (US)

(73) Assignee: **MACLEAN-FOGG COMPANY**,
Mundelein, IL (US)

(**) Term: **14 Years**

(21) Appl. No.: **29/516,701**

(22) Filed: **Feb. 5, 2015**

(51) **LOC (10) Cl.** **25-01**

(52) **U.S. Cl.**
USPC **D25/133; D8/380**

(58) **Field of Classification Search**
USPC D25/56, 57, 61, 62, 66, 126, 127, 133,
D25/134; 52/74, 81.4, 91.1, 93.1, 93.2;
D8/373-381
See application file for complete search history.

(56) **References Cited**

U.S. PATENT DOCUMENTS

3,295,267 A * 1/1967 Lundell E04B 1/24
52/222
D414,564 S * 9/1999 Goldwitz D25/61
D486,250 S * 2/2004 Mettler D25/133

D579,121 S * 10/2008 Gibson D25/56
D582,572 S * 12/2008 Hill, III D25/133
D603,059 S * 10/2009 VanElverdinghe D25/61
D683,415 S * 5/2013 Yurianto D21/839
8,438,798 B2 * 5/2013 McLain E04D 3/30
52/200
D732,190 S * 6/2015 Gosling D25/58
D738,711 S * 9/2015 Tally D8/380
2010/0236157 A1 * 9/2010 LeMarr E04F 10/00
52/74
2016/0083955 A1 * 3/2016 Fekete E04B 1/34326
52/93.1

* cited by examiner

Primary Examiner — Garth Rademaker

Assistant Examiner — Samantha Q Lawrence

(74) *Attorney, Agent, or Firm* — Brinks Gilson & Lione

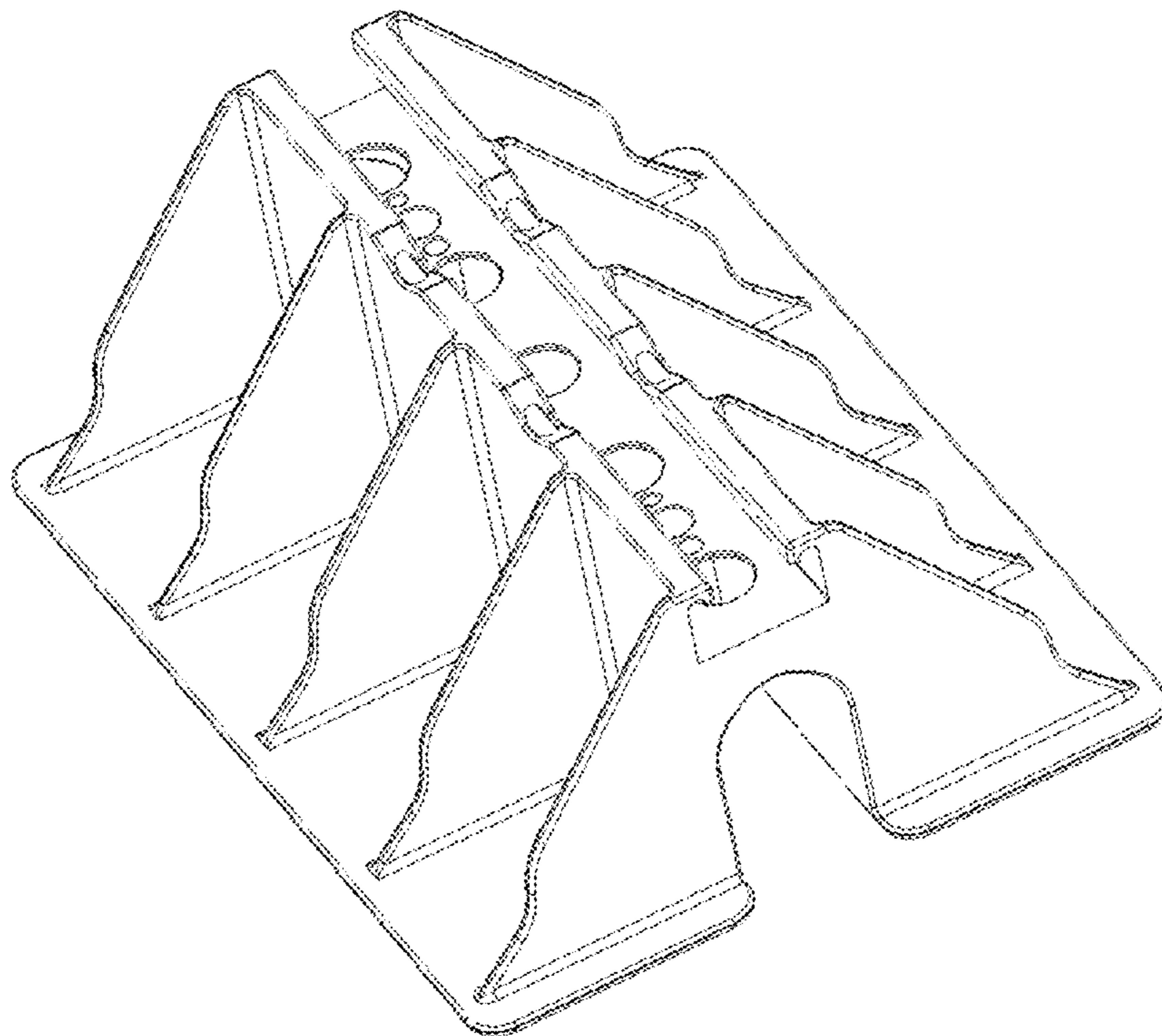
(57) **CLAIM**

I claim the ornamental design for a roof support, as shown and described.

DESCRIPTION

FIG. 1 is a front elevation view of a roof support;
FIG. 2 is a top plan view thereof;
FIG. 3 is a bottom plan view thereof;
FIG. 4 is a right side elevation view thereof;
FIG. 5 is a top, right side perspective view thereof; and,
FIG. 6 is a bottom, left side perspective view thereof.
A rear elevation view thereof is the same as the front elevation view of FIG. 1. A left side elevation view is a mirror of the right side elevation view of FIG. 4.

1 Claim, 6 Drawing Sheets



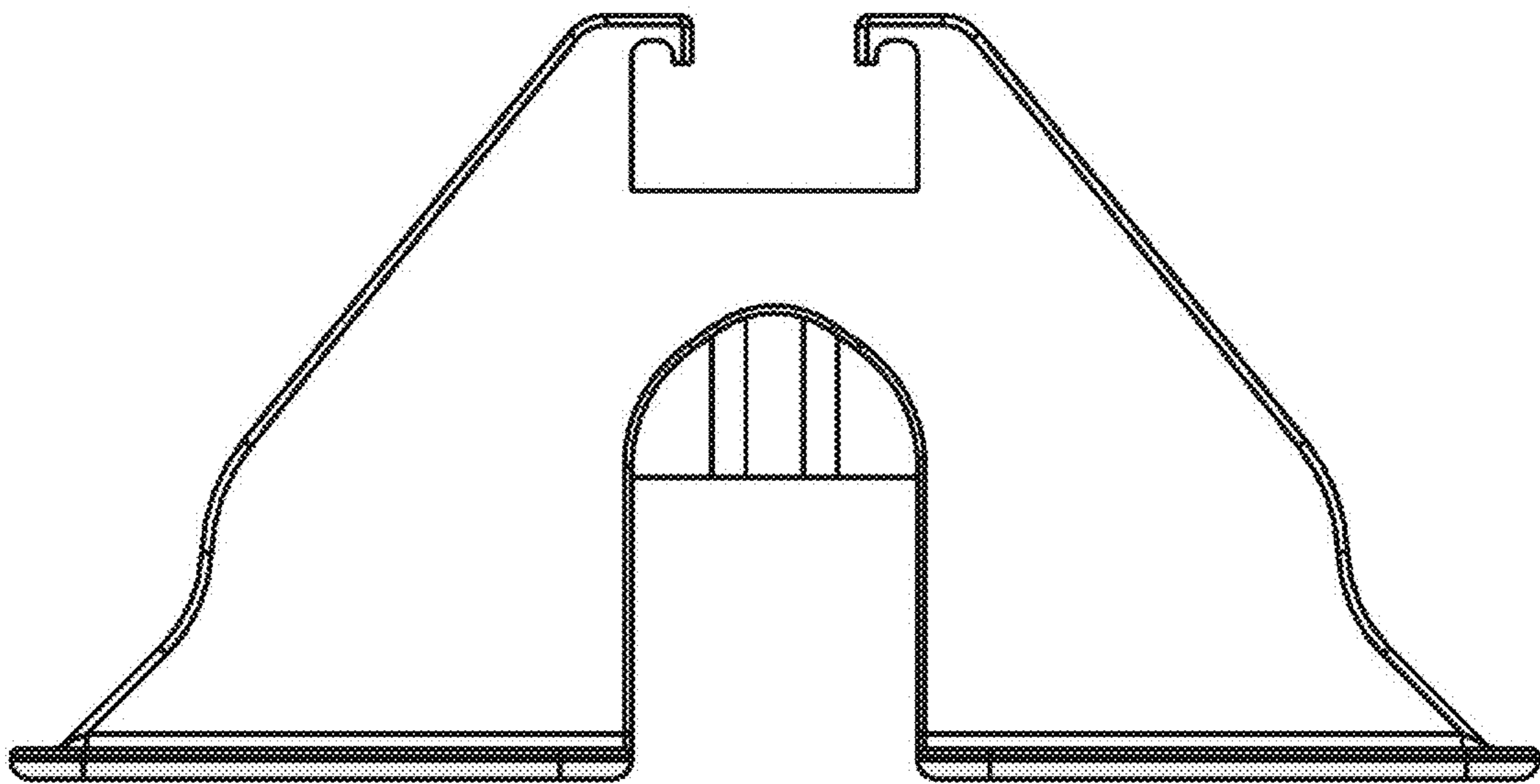


FIG. 1

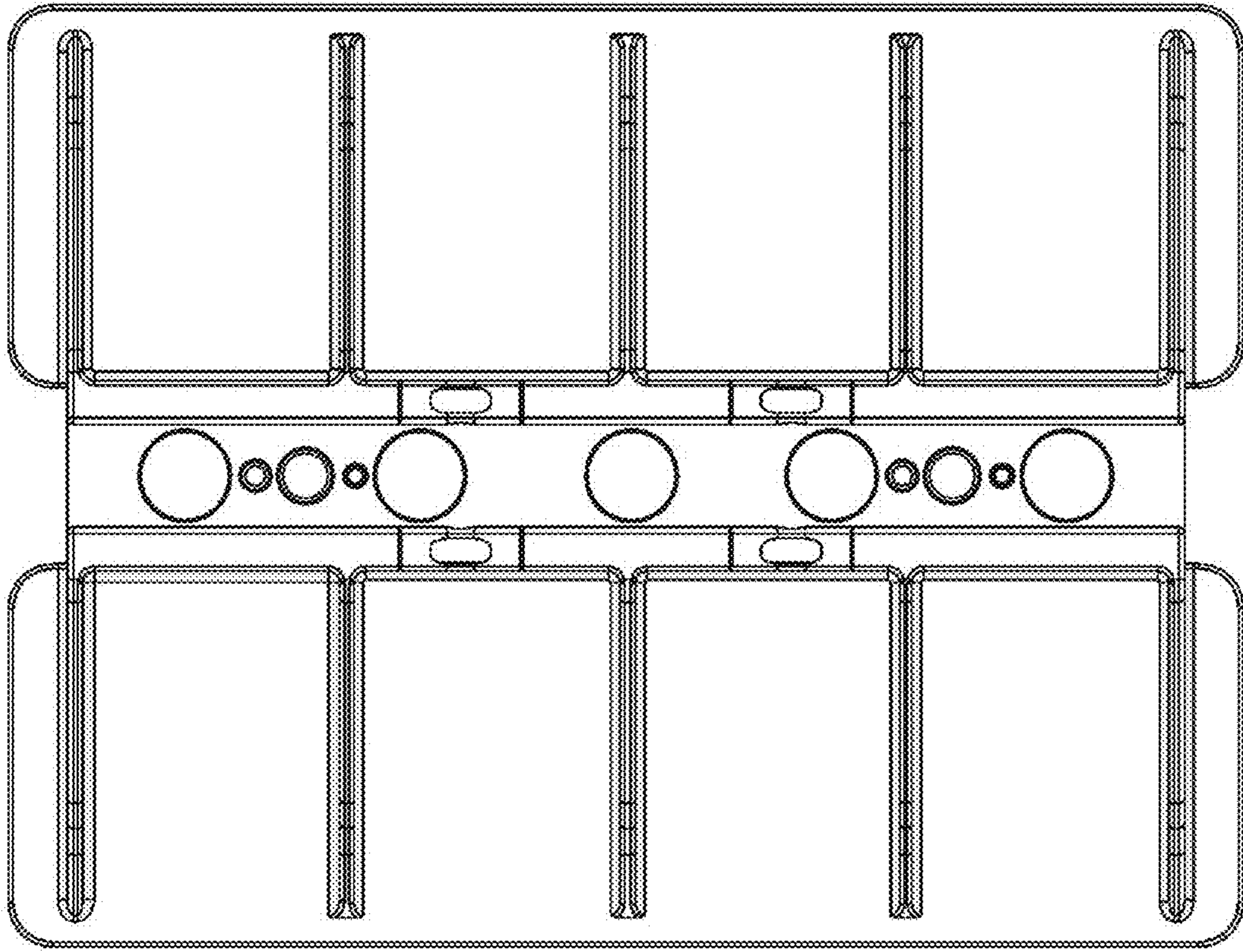


FIG. 2

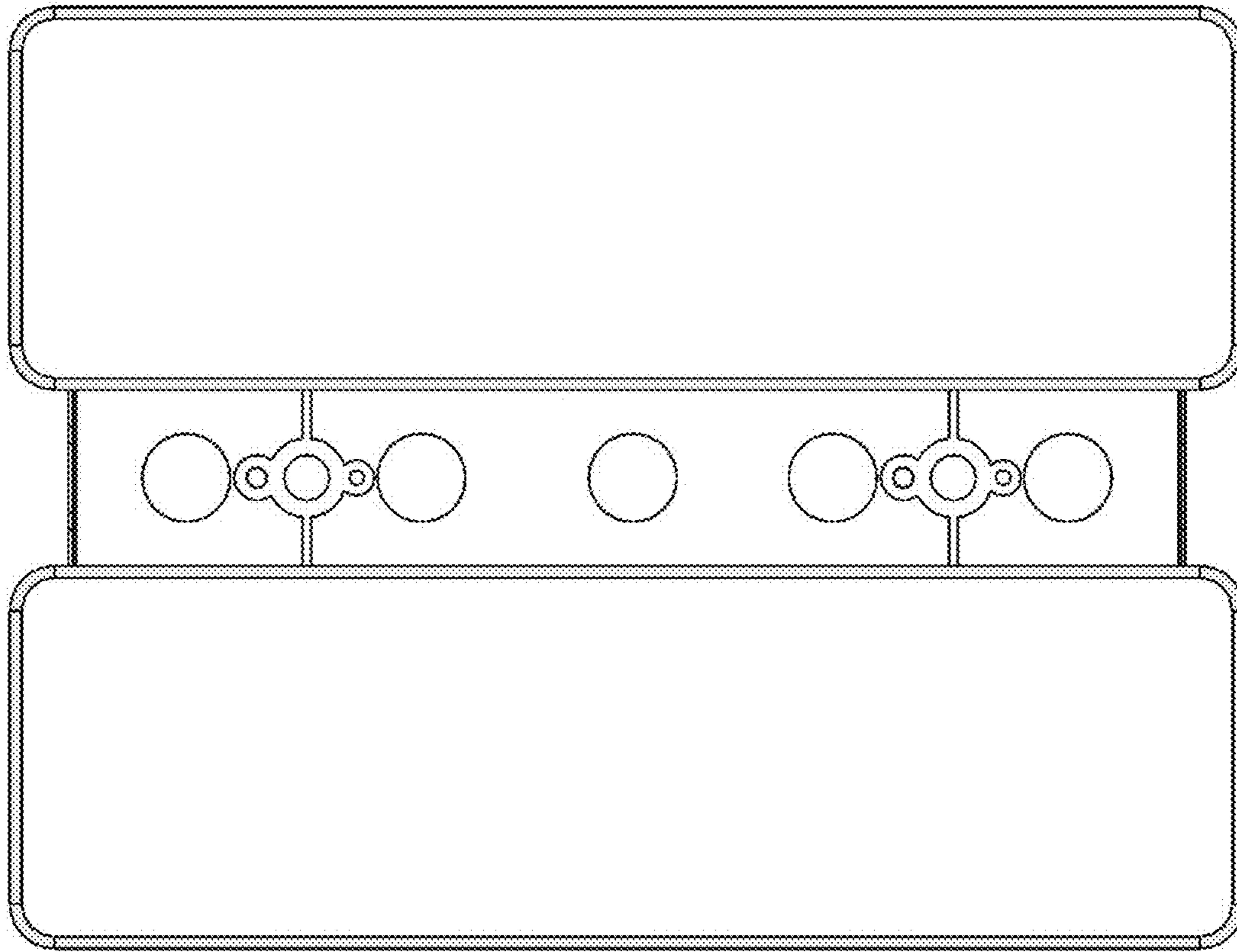


FIG. 3

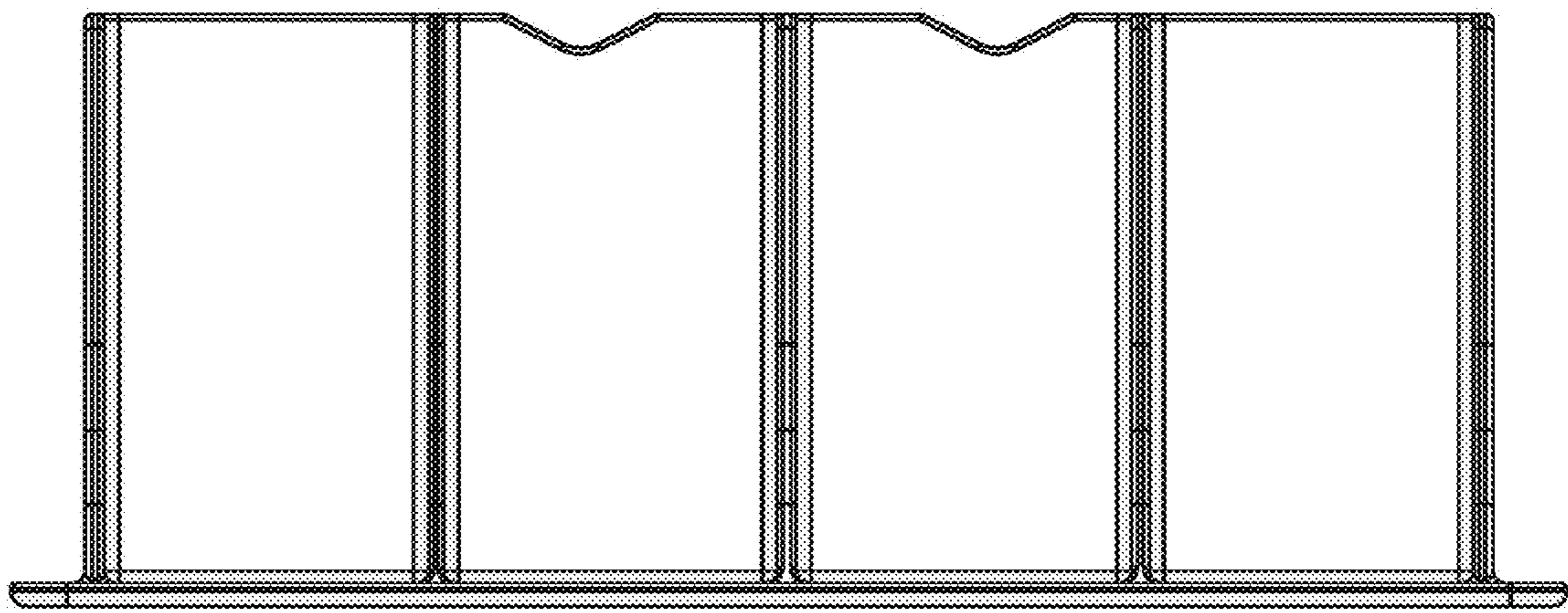


FIG. 4

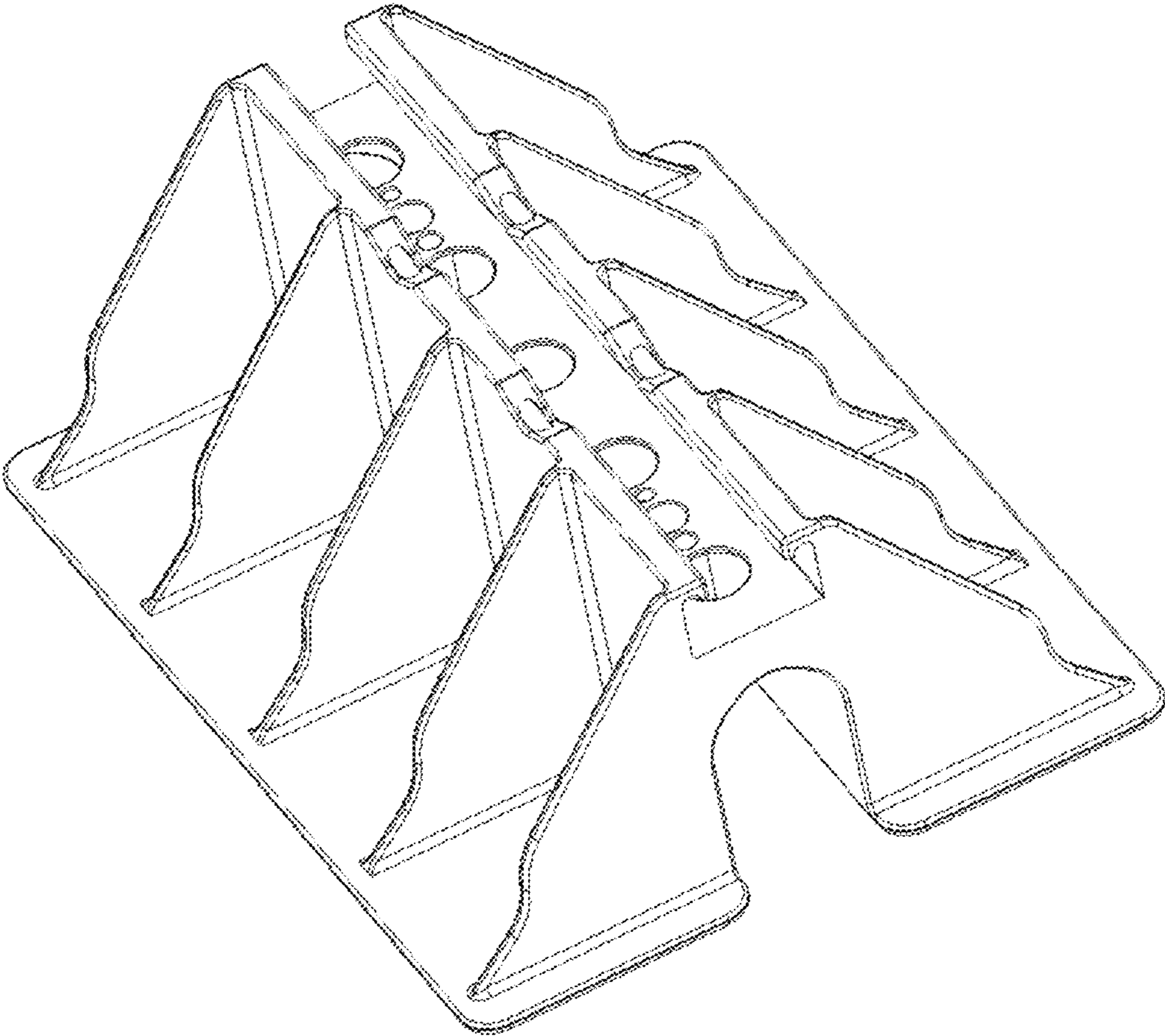


FIG. 5

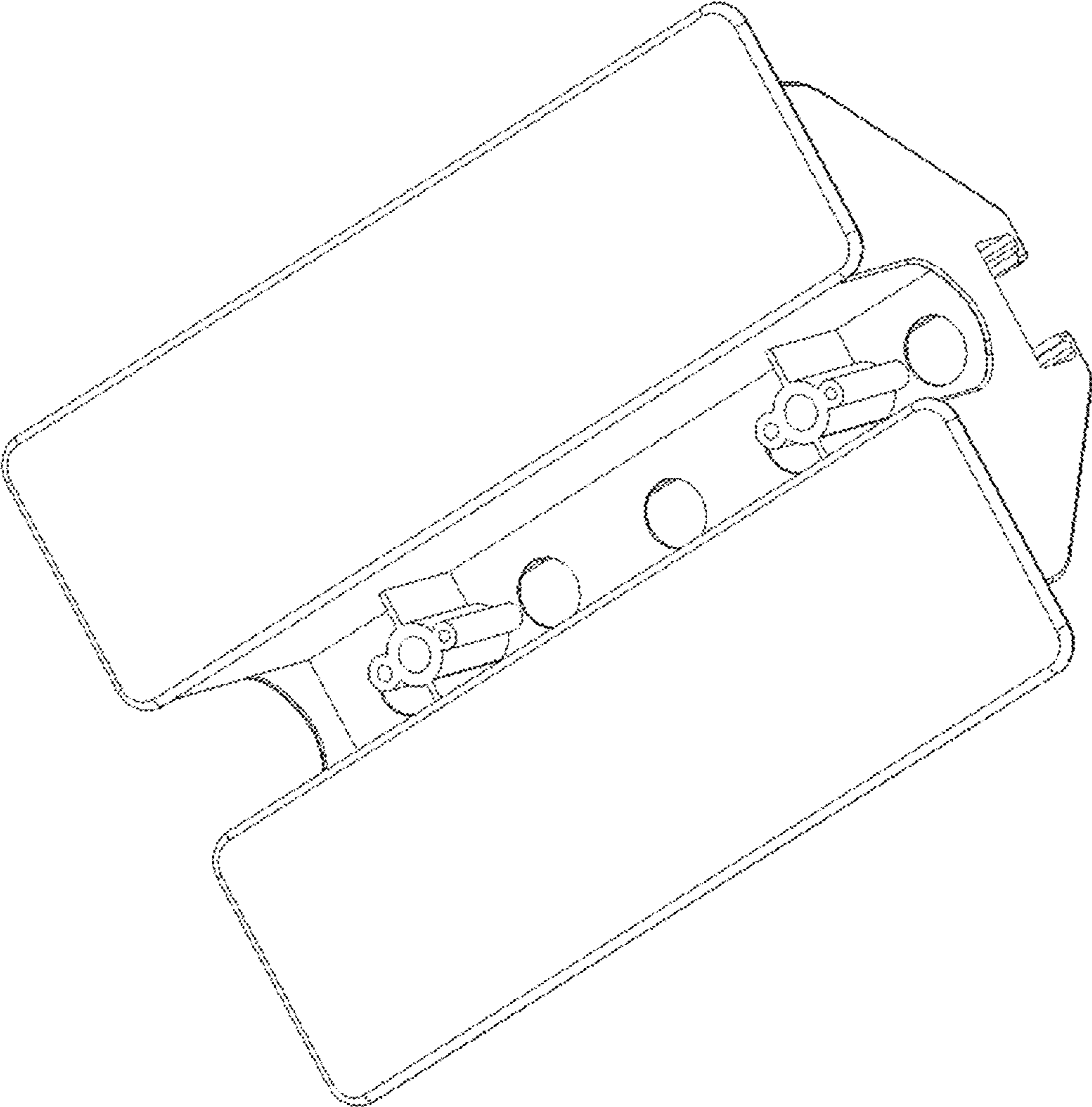


FIG. 6