



US00D767795S

(12) **United States Design Patent** (10) **Patent No.:** **US D767,795 S**  
**Bucarizza** (45) **Date of Patent:** **\*\* Sep. 27, 2016**

- (54) **FENCE POST**
- (71) Applicant: **COCHRANE GULF FZE**, Dubai (AE)
- (72) Inventor: **Vlado Bucarizza**, Dubai (AE)
- (73) Assignee: **COCHRANE GULF FZE**, Silicon Oasis (AE)
- (\*\*) Term: **14 Years**
- (21) Appl. No.: **29/521,046**
- (22) Filed: **Mar. 19, 2015**
- (51) **LOC (10) Cl.** ..... **25-01**
- (52) **U.S. Cl.**  
USPC ..... **D25/126**
- (58) **Field of Classification Search**  
USPC ..... D25/126-135; 52/149, 345, 831, 832,  
52/833, 834, 835  
See application file for complete search history.

D721,189 S *	1/2015	Gori .....	D25/119
D749,751 S *	2/2016	Murray .....	D25/126
D755,995 S *	5/2016	Bryant .....	D25/126
D756,537 S *	5/2016	Bryant .....	D25/126
2004/0031230 A1 *	2/2004	Pabedinskas .....	E04C 3/28 52/839

\* cited by examiner  
*Primary Examiner* — Garth Rademaker  
*Assistant Examiner* — Samantha Q Lawrence  
 (74) *Attorney, Agent, or Firm* — Young & Thompson

(57) **CLAIM**  
 The ornamental design for a fence post, as shown and described.

**DESCRIPTION**

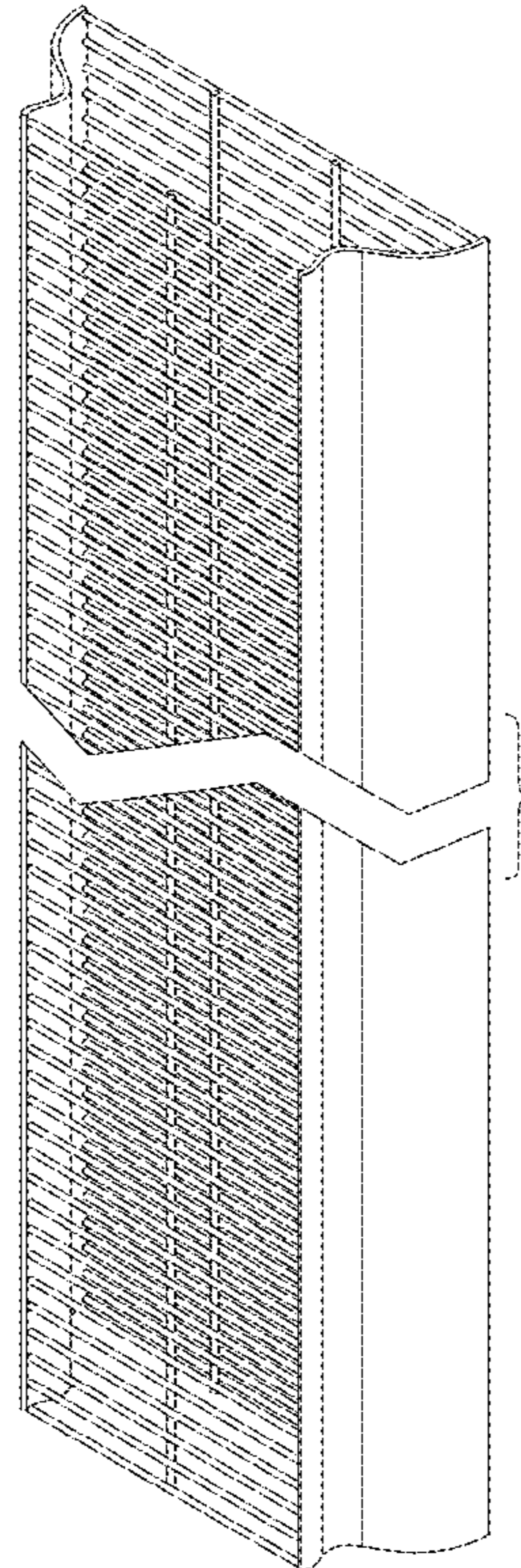
FIG. 1 is a front perspective view of a fence post;  
 FIG. 2 is a rear perspective view of the fence post;  
 FIG. 3 is a view from one end of the fence post;  
 FIG. 4 is a view from one side of the fence post;  
 FIG. 5 is a front view of the fence post;  
 FIG. 6 is a view from an opposing end of the fence post;  
 FIG. 7 is a rear view of the fence post; and,  
 FIG. 8 is a view from an opposing side of the fence post.  
 The fence post is shown with a symbolic break in its length.  
 The appearance of any portion of the article between the break lines forms no part of the claimed design.

**1 Claim, 8 Drawing Sheets**

(56) **References Cited**

U.S. PATENT DOCUMENTS

D455,502 S *	4/2002	Forbis .....	D25/126
D603,065 S *	10/2009	Hamilton .....	D25/126
D608,471 S *	1/2010	Brown .....	D25/126
D650,493 S *	12/2011	Curtas .....	D25/126
D662,613 S *	6/2012	Williams .....	D25/126
D709,629 S *	7/2014	Rice .....	D25/125
D710,563 S *	8/2014	Panzer .....	D25/126
D720,866 S *	1/2015	Gori .....	D25/119



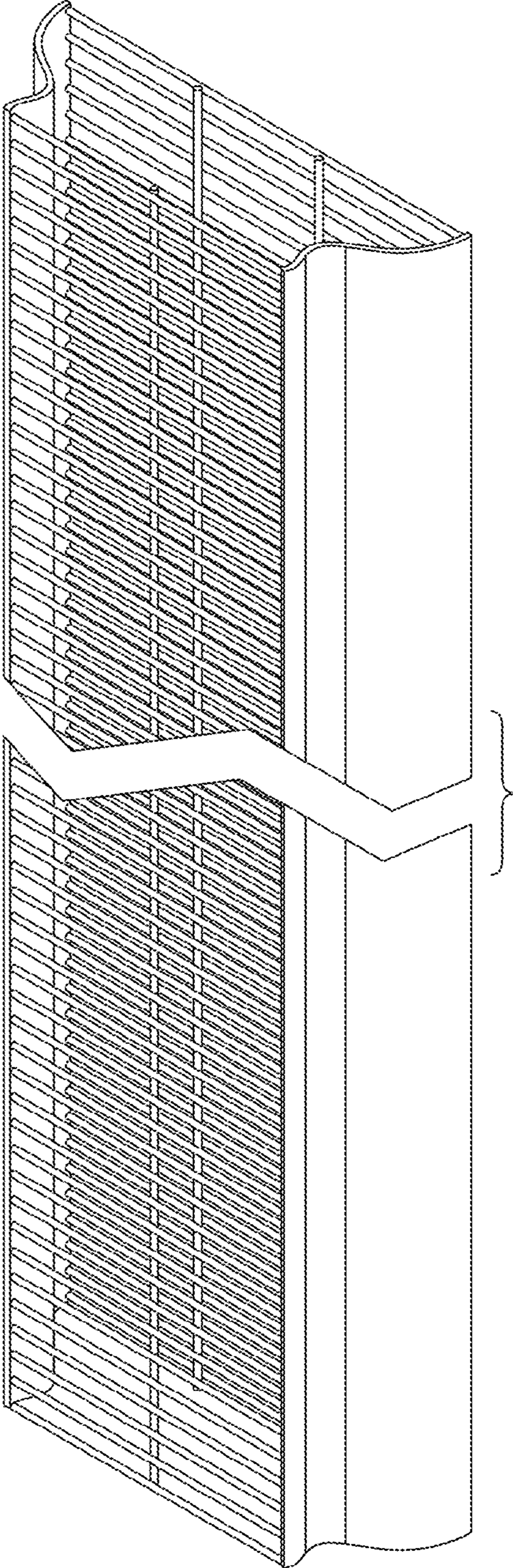


FIGURE 1



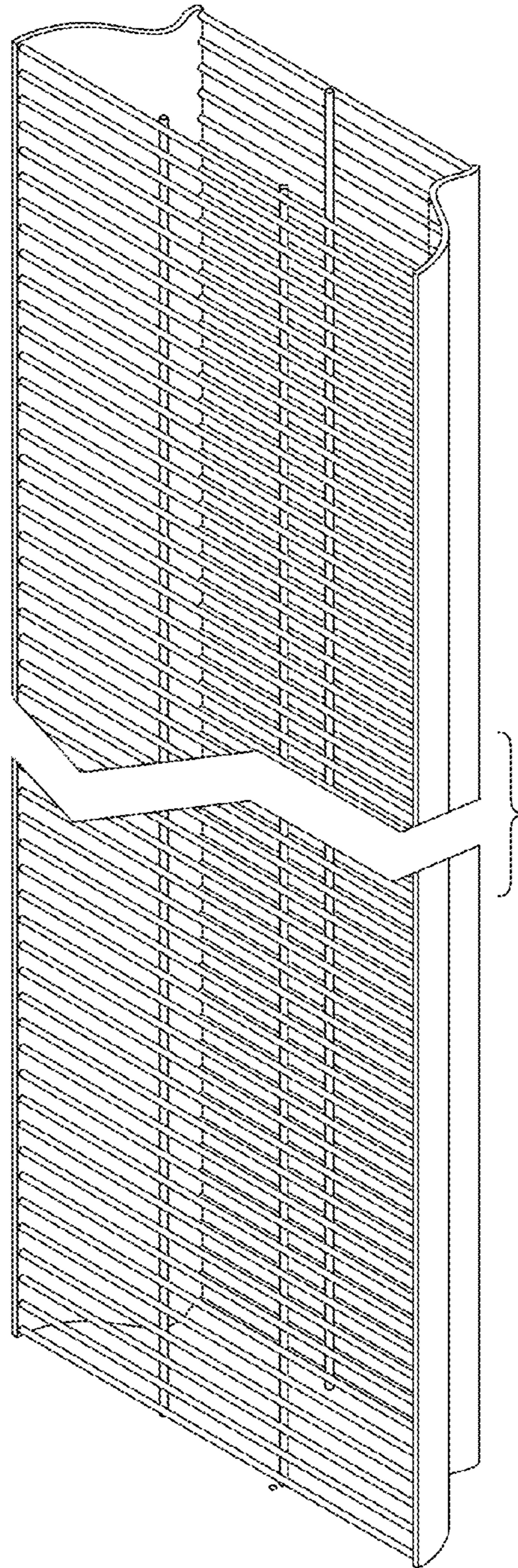


FIGURE 2

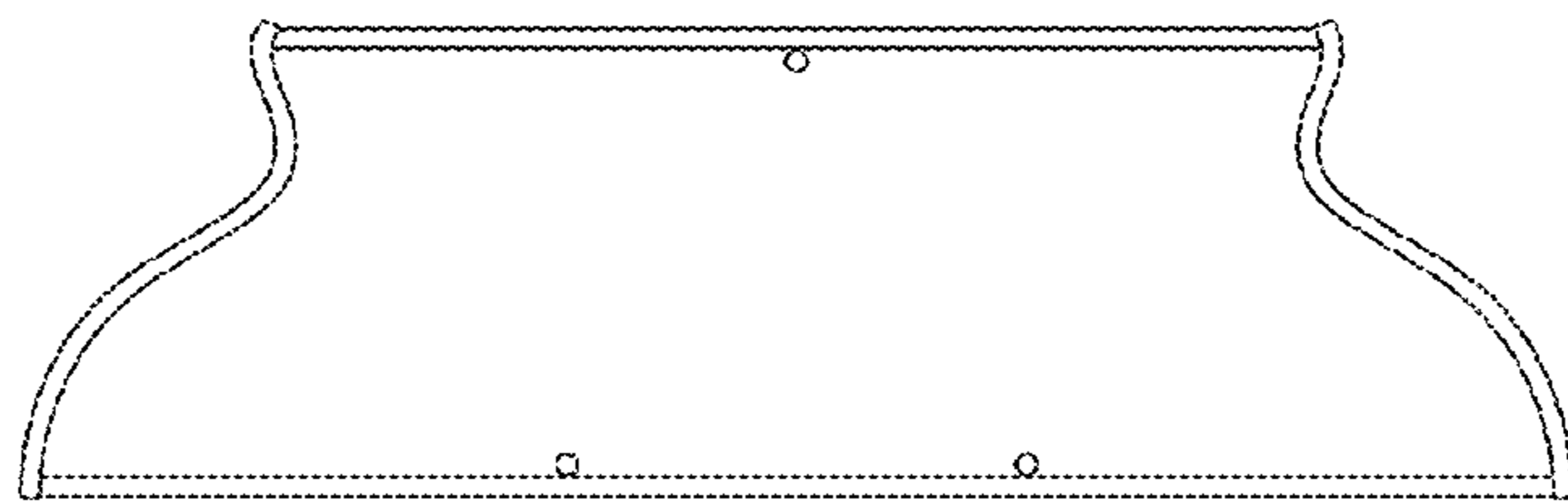


FIGURE 3

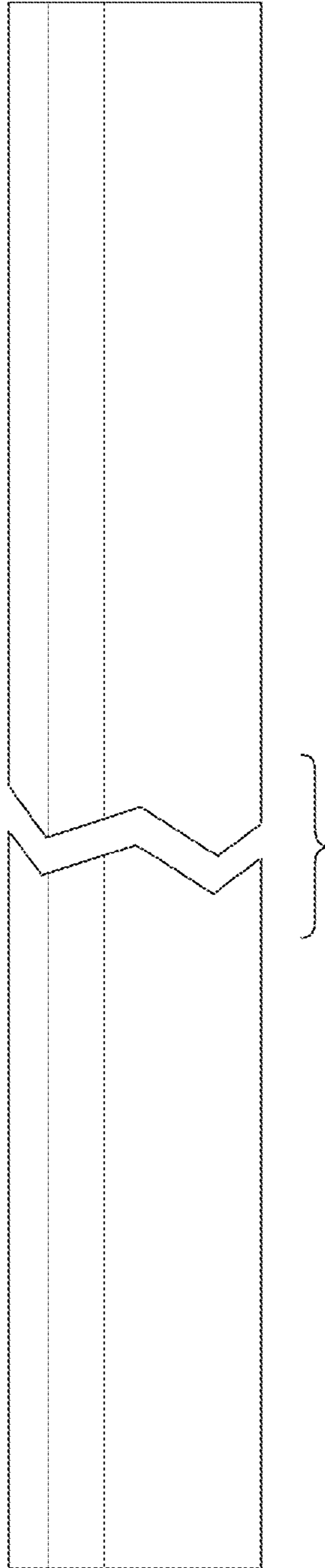


FIGURE 4

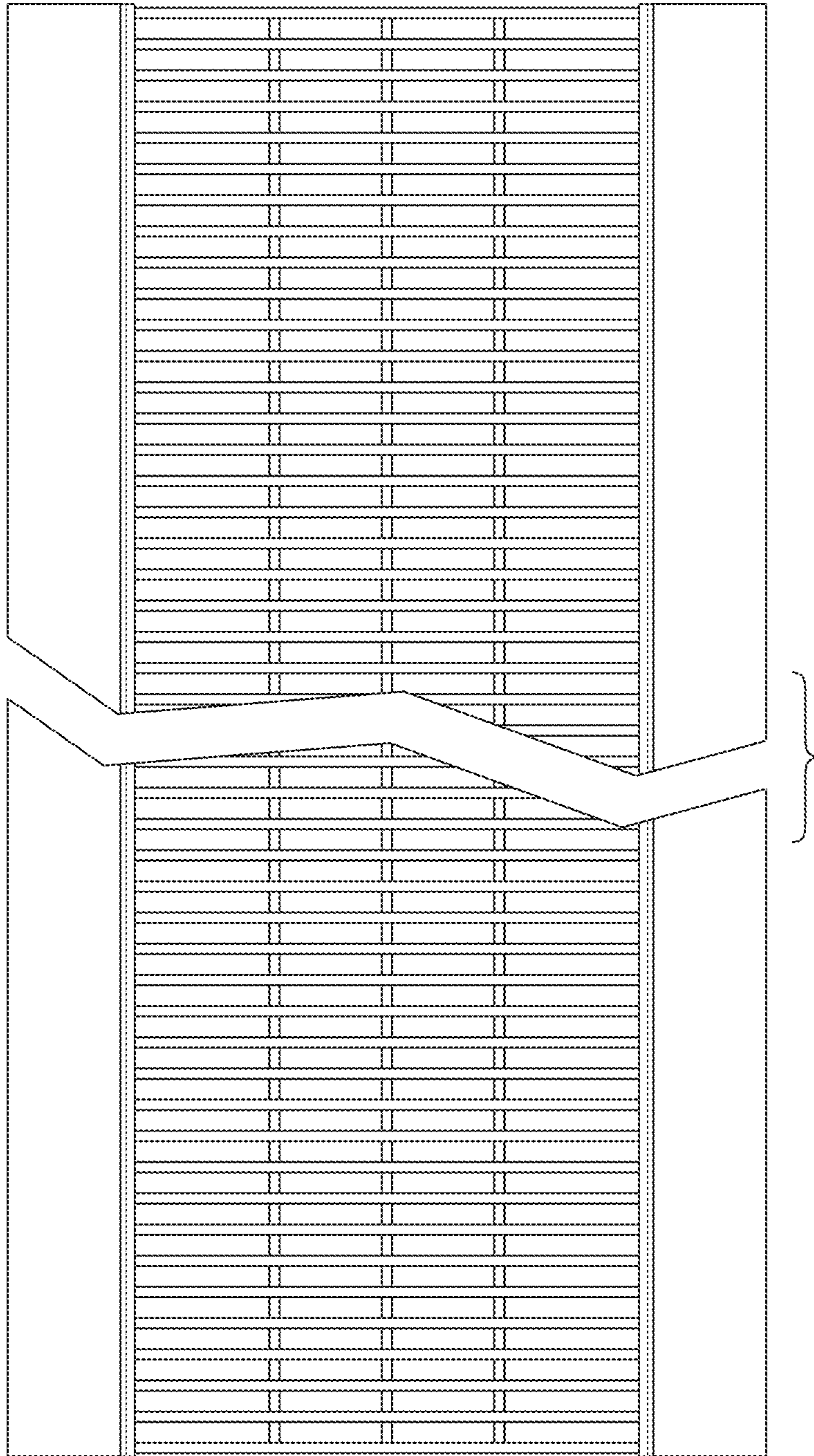
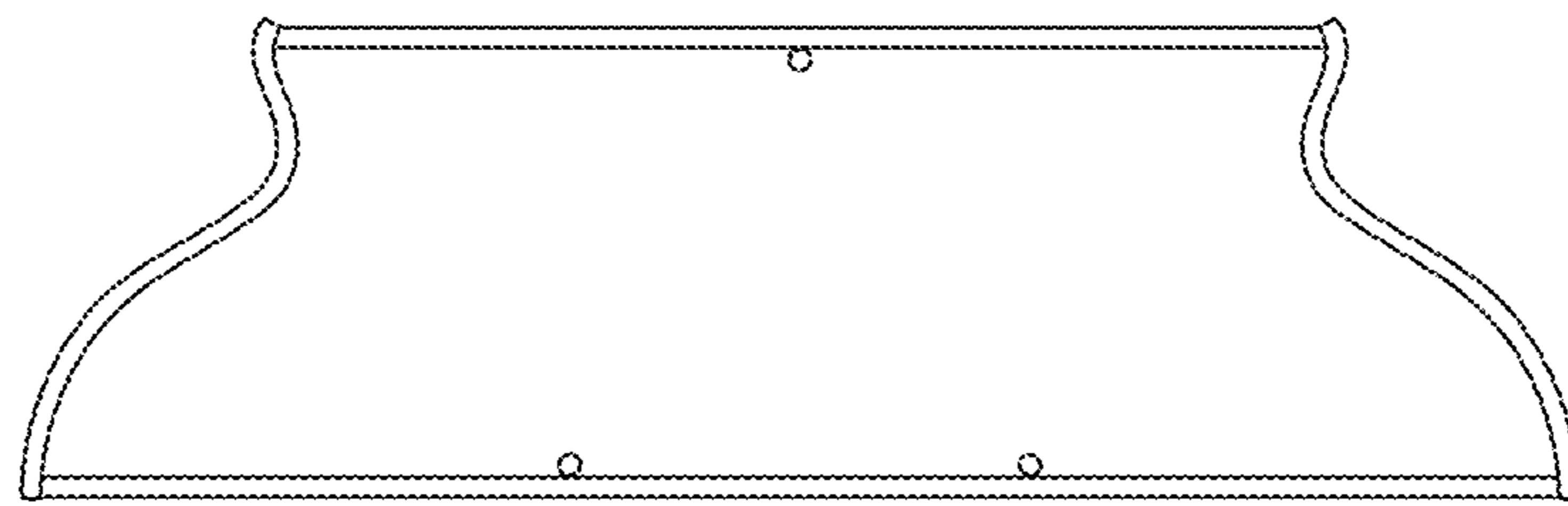


FIGURE 5



*FIGURE 6*



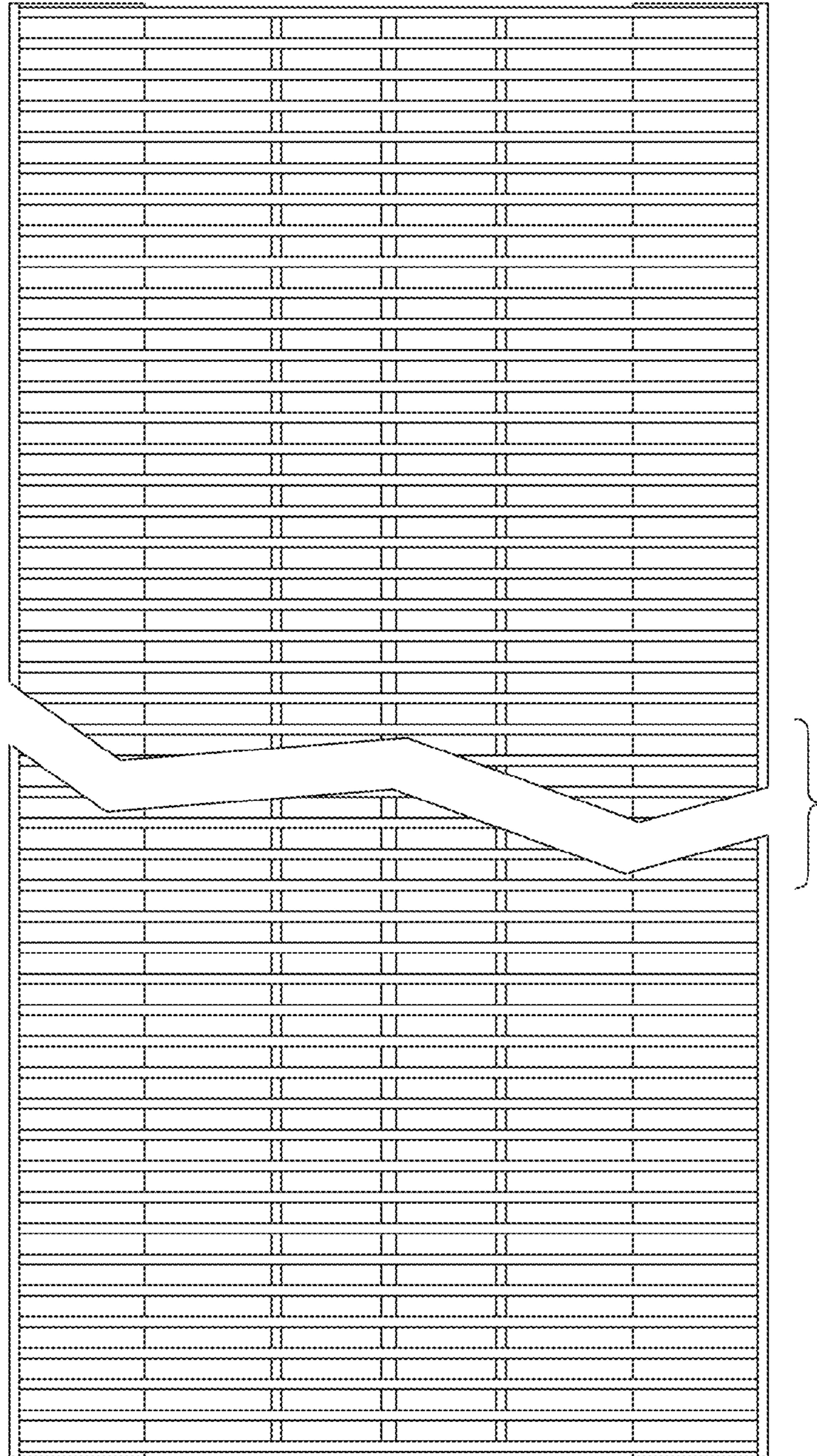


FIGURE 7



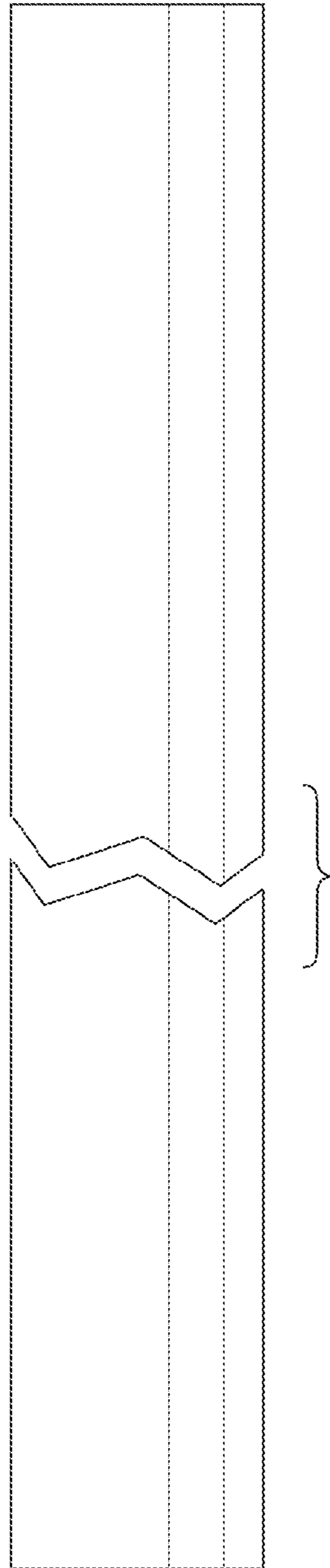


FIGURE 8