



US00D767792S

(12) **United States Design Patent** (10) **Patent No.:** **US D767,792 S**
Chaney et al. (45) **Date of Patent:** **** Sep. 27, 2016**

- (54) **WINDOW FRAME EXTRUSION**
- (71) Applicants: **Michael T. Chaney**, Middletown, OH (US); **Jonathan C. Hauberg**, Centerville, OH (US)
- (72) Inventors: **Michael T. Chaney**, Middletown, OH (US); **Jonathan C. Hauberg**, Centerville, OH (US)
- (73) Assignee: **DECEUNINCK NORTH AMERICA, LLC**, Monroe, OH (US)
- (**) Term: **14 Years**
- (21) Appl. No.: **29/520,143**
- (22) Filed: **Mar. 11, 2015**
- (51) **LOC (10) Cl.** **25-01**
- (52) **U.S. Cl.**
USPC **D25/124**
- (58) **Field of Classification Search**
USPC D25/44, 48.7, 60, 119–125, 136–137; 52/204.1, 204.2, 204.5, 204.51, 52/204.55, 204.61, 204.62, 204.69, 204.7, 52/204.72, 206, 208, 209, 212, 213, 215, 52/579, 656.2, 656.4, 656.5, 656.6, 656.7; D20/42, 43, 44; D34/35
CPC E06B 1/02; E06B 1/04; E06B 1/16; E06B 1/36; E06B 1/52; E06B 3/305; E06B 3/22; E06B 3/222; E06B 3/24; E06B 2003/66385
See application file for complete search history.

D454,212 S *	3/2002	Ballard	D25/124
D461,255 S *	8/2002	Ballard	D25/124
D461,915 S *	8/2002	Ballard et al.	
D466,622 S *	12/2002	Ballard	D25/124
D467,012 S *	12/2002	Ballard	D25/124
D467,355 S *	12/2002	Ballard	D25/124
D468,455 S *	1/2003	Morton	D25/124
D495,808 S *	9/2004	Habeck	D25/119
D557,819 S	12/2007	Willman	
D557,820 S	12/2007	Willman	
D557,828 S	12/2007	Willman	
D572,376 S *	7/2008	Morton	D25/124
D578,661 S	10/2008	Chaney et al.	
7,596,912 B2 *	10/2009	Ito	E06B 1/366 403/187
D630,344 S *	1/2011	Stephens	D25/124
D679,386 S	4/2013	Morton	
D691,739 S *	10/2013	Wickland	D25/124
D724,762 S *	3/2015	Decicio	D25/124
D726,937 S *	4/2015	Campbell	D25/124
D732,202 S *	6/2015	Chaney	D25/124
D732,706 S *	6/2015	Campbell	D25/124
D733,331 S *	6/2015	DeCicio	D25/124
D735,357 S *	7/2015	Chaney	D25/124
D735,359 S *	7/2015	Chaney	D25/124
D735,894 S *	8/2015	Campbell	D25/124
D740,444 S *	10/2015	Chaney	D25/124

* cited by examiner

Primary Examiner — Cynthia Ramirez
Assistant Examiner — Llorellys Martinez-Rivera
(74) *Attorney, Agent, or Firm* — Thompson Hine LLP

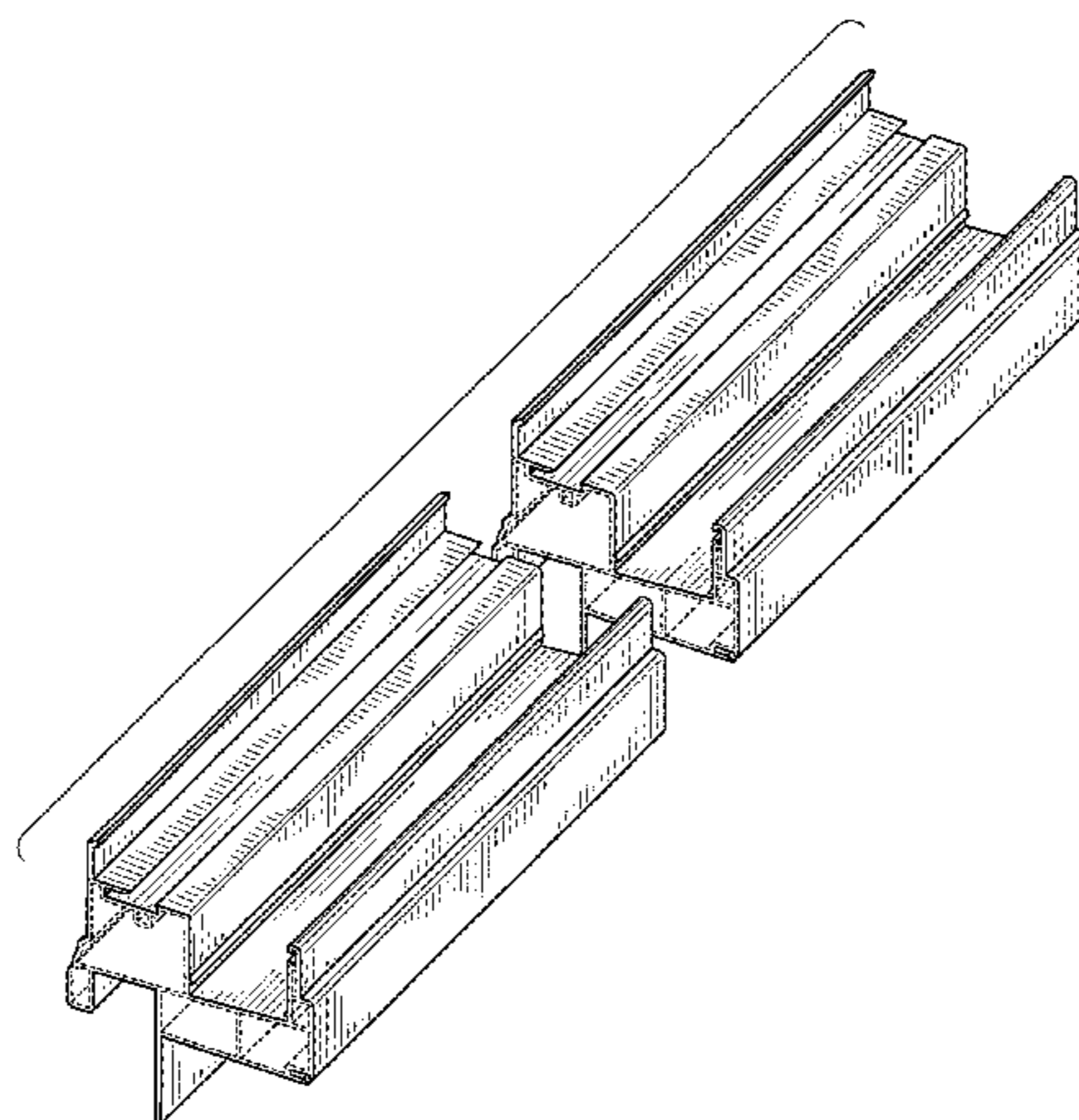
(57) **CLAIM**
The ornamental design for a window frame extrusion, as shown and described.

DESCRIPTION

FIG. 1 is a perspective view of a window frame extrusion showing our new design; and, FIG. 2 is an end elevational view thereof. The broken lines shown in FIGS. 1 and 2 illustrate portions of the window frame extrusion that form no part of the claimed design. The window frame extrusion is shown with a symbolic break in its length. The appearance of any portion of the window frame extrusion between the break lines forms no part of the claimed design.

1 Claim, 1 Drawing Sheet

- (56) **References Cited**
U.S. PATENT DOCUMENTS
D338,973 S * 8/1993 Cole D25/124
6,047,514 A * 4/2000 Verch E06B 3/221
52/309.9
D429,532 S 8/2000 Siudzinski et al.
D438,643 S * 3/2001 Hauberg D25/124
D451,211 S * 11/2001 Hauberg D25/124
D453,381 S * 2/2002 Ballard D25/124
D453,841 S * 2/2002 Hauberg D25/124



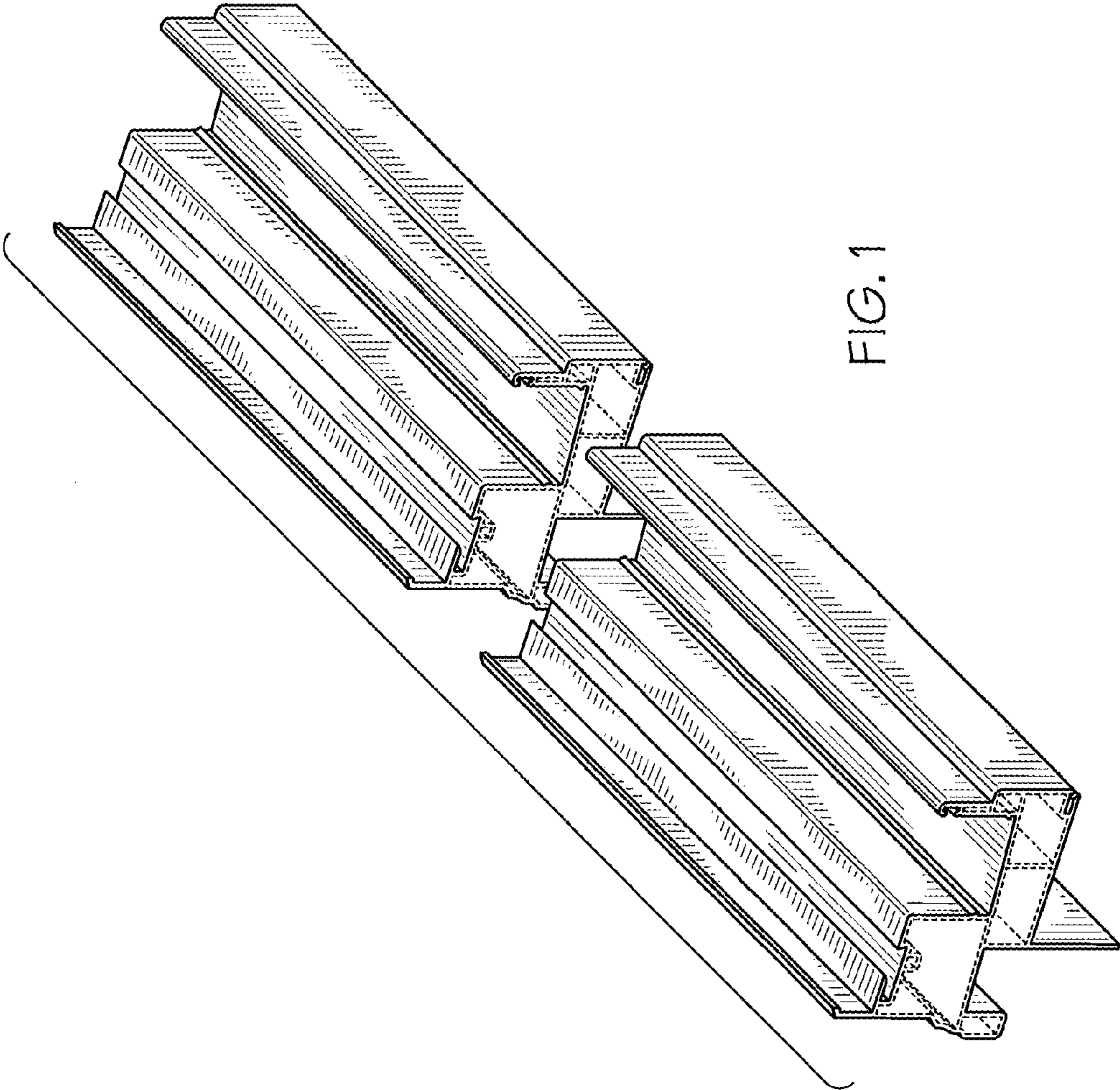


FIG. 1

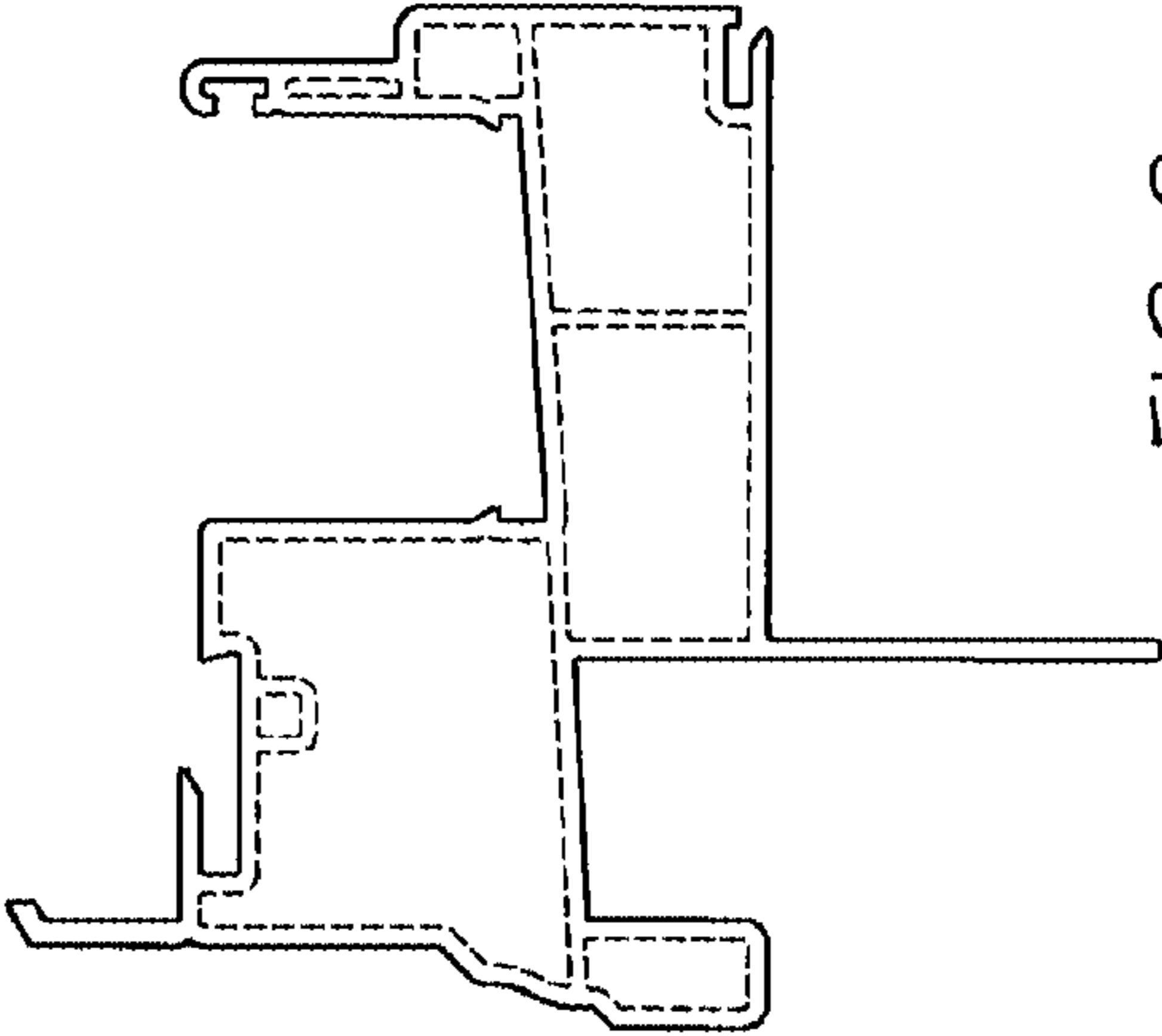


FIG. 2