



US00D767790S

(12) **United States Design Patent** (10) **Patent No.:** **US D767,790 S**
Chaney et al. (45) **Date of Patent:** **** Sep. 27, 2016**

(54) **WINDOW FRAME EXTRUSION**

(56) **References Cited**

U.S. PATENT DOCUMENTS

(71) Applicants: **Michael T. Chaney**, Middletown, NJ (US); **Jonathan C. Hauberg**, Centerville, OH (US)

D429,532 S	8/2000	Siudzinski et al.	
D461,915 S	8/2002	Ballard et al.	
D471,648 S *	3/2003	Chaney	D25/124
D557,819 S	12/2007	Willman	
D557,820 S	12/2007	Willman	
D557,828 S	12/2007	Willman	
D578,661 S	10/2008	Chaney et al.	
D630,342 S *	1/2011	Wickland	D25/124
D679,386 S	4/2013	Morton	
D732,205 S *	6/2015	Campbell	D25/124

(72) Inventors: **Michael T. Chaney**, Middletown, NJ (US); **Jonathan C. Hauberg**, Centerville, OH (US)

(73) Assignee: **DECEUNINCK NORTH AMERICA, LLC**, Monroe, OH (US)

* cited by examiner

(**) Term: **14 Years**

Primary Examiner — Cynthia Ramirez

Assistant Examiner — Llorellys Martinez-Rivera

(21) Appl. No.: **29/520,138**

(74) *Attorney, Agent, or Firm* — Thompson Hine LLP

(22) Filed: **Mar. 11, 2015**

(57) **CLAIM**

The ornamental design for a window frame extrusion, as shown and described.

(51) **LOC (10) Cl.** **25-01**

(52) **U.S. Cl.**
USPC **D25/124**

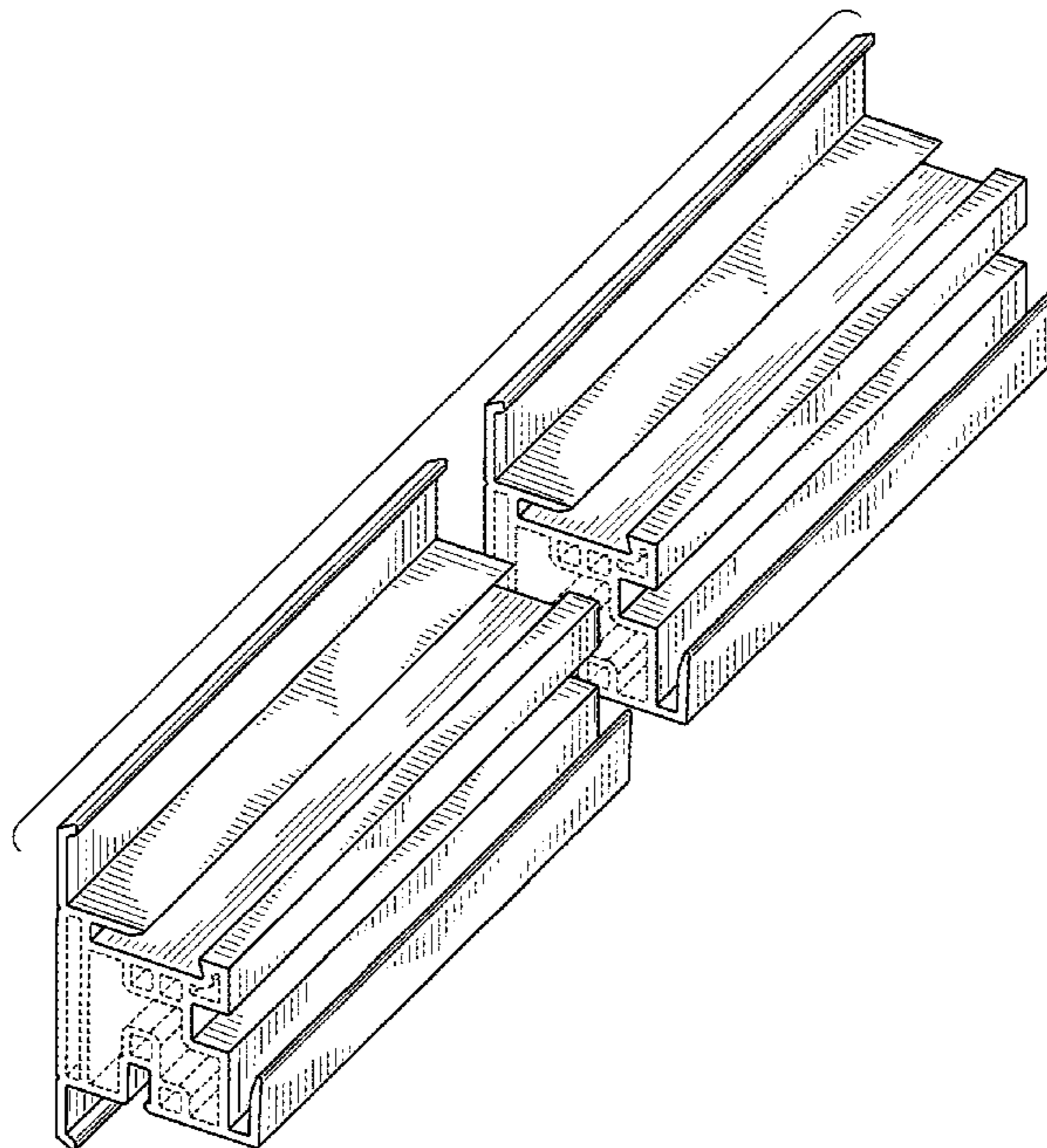
DESCRIPTION

(58) **Field of Classification Search**
USPC D25/44, 48.7, 60, 119–125, 136–137;
52/204.1, 204.2, 204.5, 204.51,
52/204.55, 204.61, 204.62, 204.69, 204.7,
52/204.72, 206, 208, 209, 212, 213, 215,
52/579, 656.2, 656.4, 656.5, 656.6, 656.7;
D20/42, 43, 44; D34/35
CPC E06B 1/02; E06B 1/04; E06B 1/16;
E06B 1/36; E06B 1/52; E06B 3/305; E06B
3/22; E06B 3/222; E06B 3/24; E06B
2003/66385

FIG. 1 is a perspective view of a window frame extrusion showing our new design; and, FIG. 2 is an end elevational view thereof. The broken lines shown in FIGS. 1 and 2 illustrate portions of the window frame extrusion that form no part of the claimed design. The window frame extrusion is shown with a symbolic break in its length. The appearance of any portion of the window frame extrusion between the break lines forms no part of the claimed design.

See application file for complete search history.

1 Claim, 1 Drawing Sheet



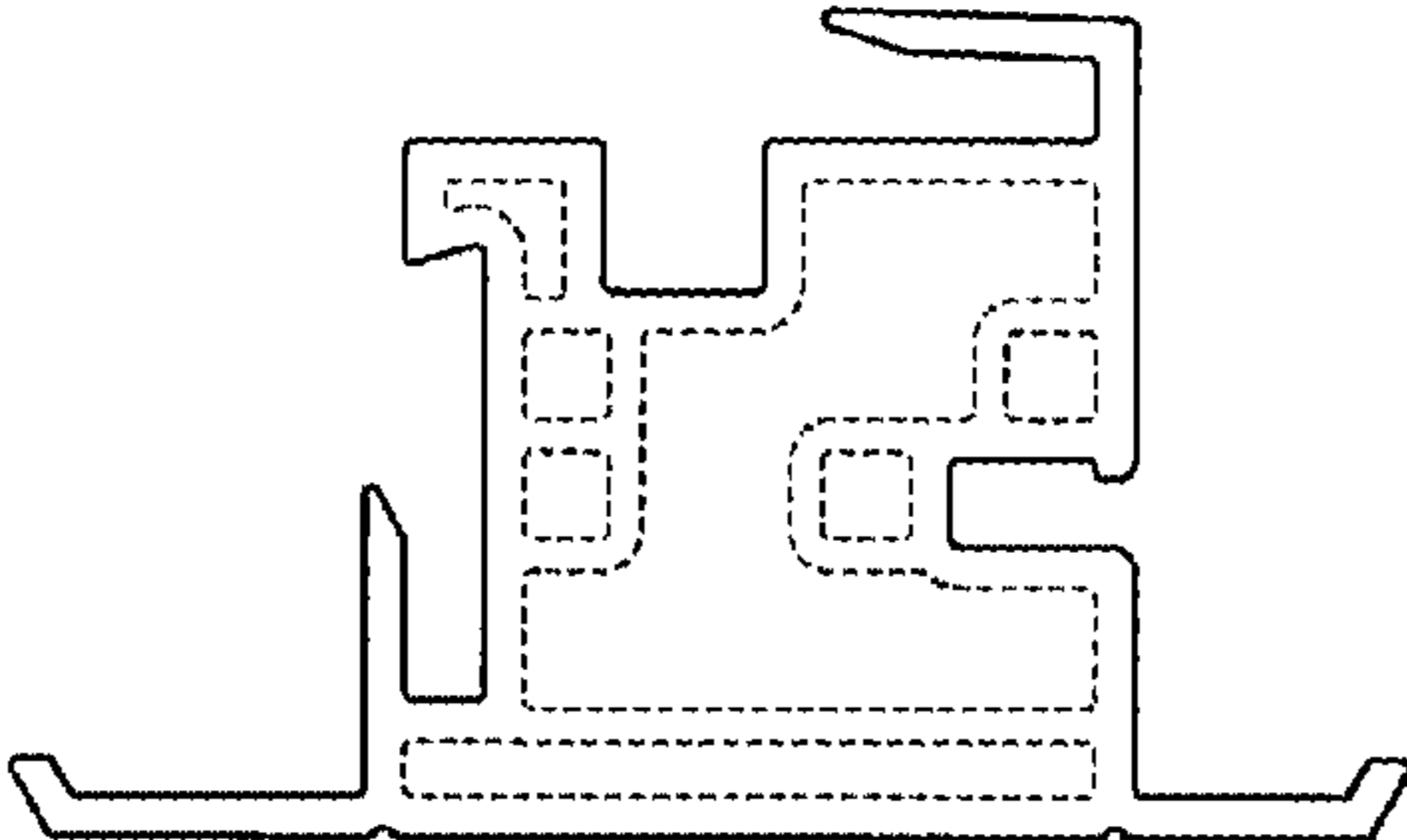


FIG. 2

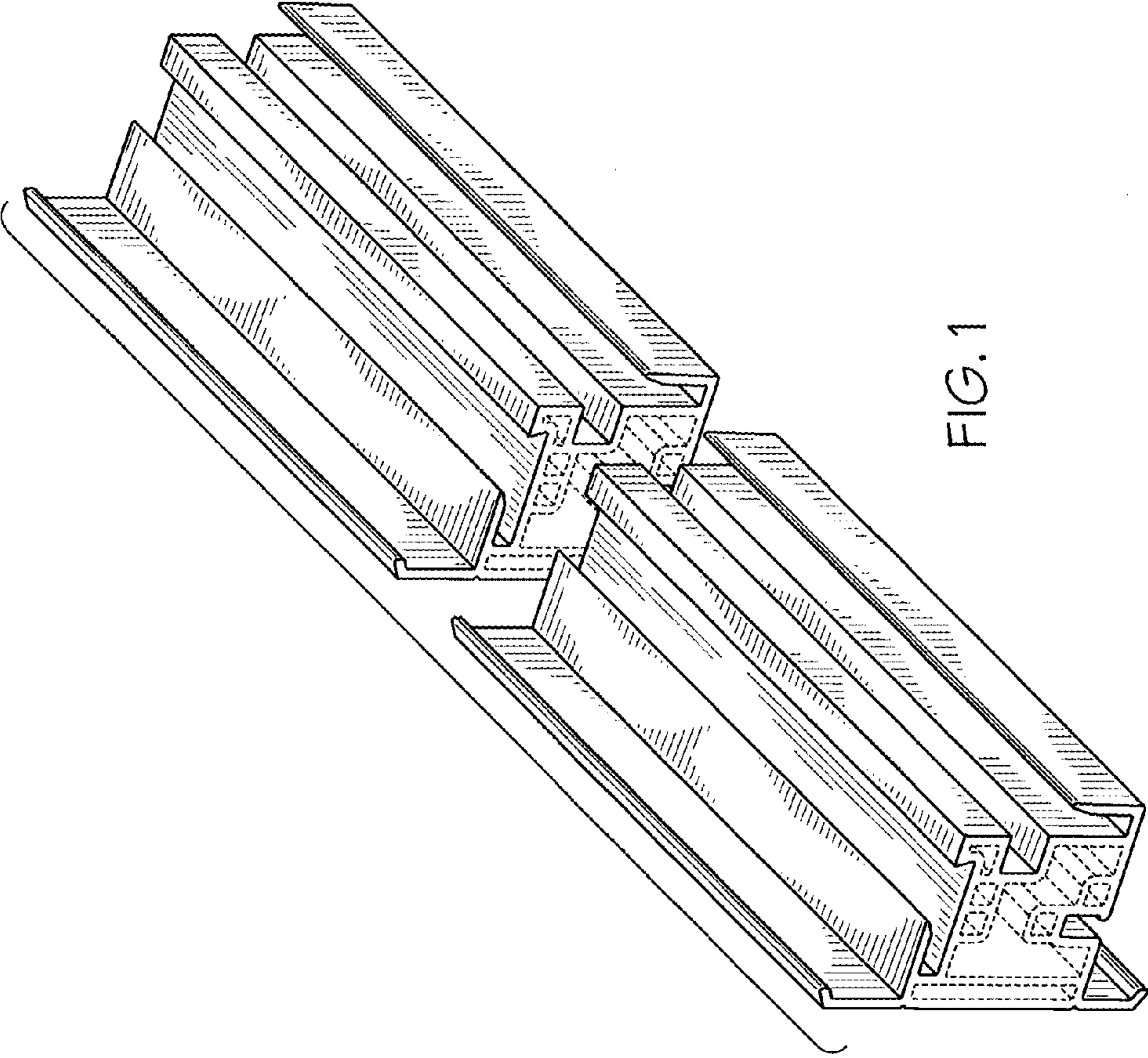


FIG. 1